

### Features

- Brass construction.
- Dual control wall-mounted.
- Stationary spout.
- Less drain.
- 11-1/4" (286 mm) spout reach.
- ADA compliant traditional lever handles.
- 1.5 gal/min (5.7 l/min) maximum flow rate [max at 60 psi (4.14 bar)].

### Required Accessories

K-410-K Wall-mount Valve

### Optional Accessories

K-7114 Pop-Up Drain  
K-7124 Pop-Up Clicker Drain  
K-7127 Drain  
K-7129 Drain



ADA

### Codes/Standards

ASME A112.18.1/CSA B125.1

NSF 61

NSF 372

DOE - Energy Policy Act 1992

EPA WaterSense®

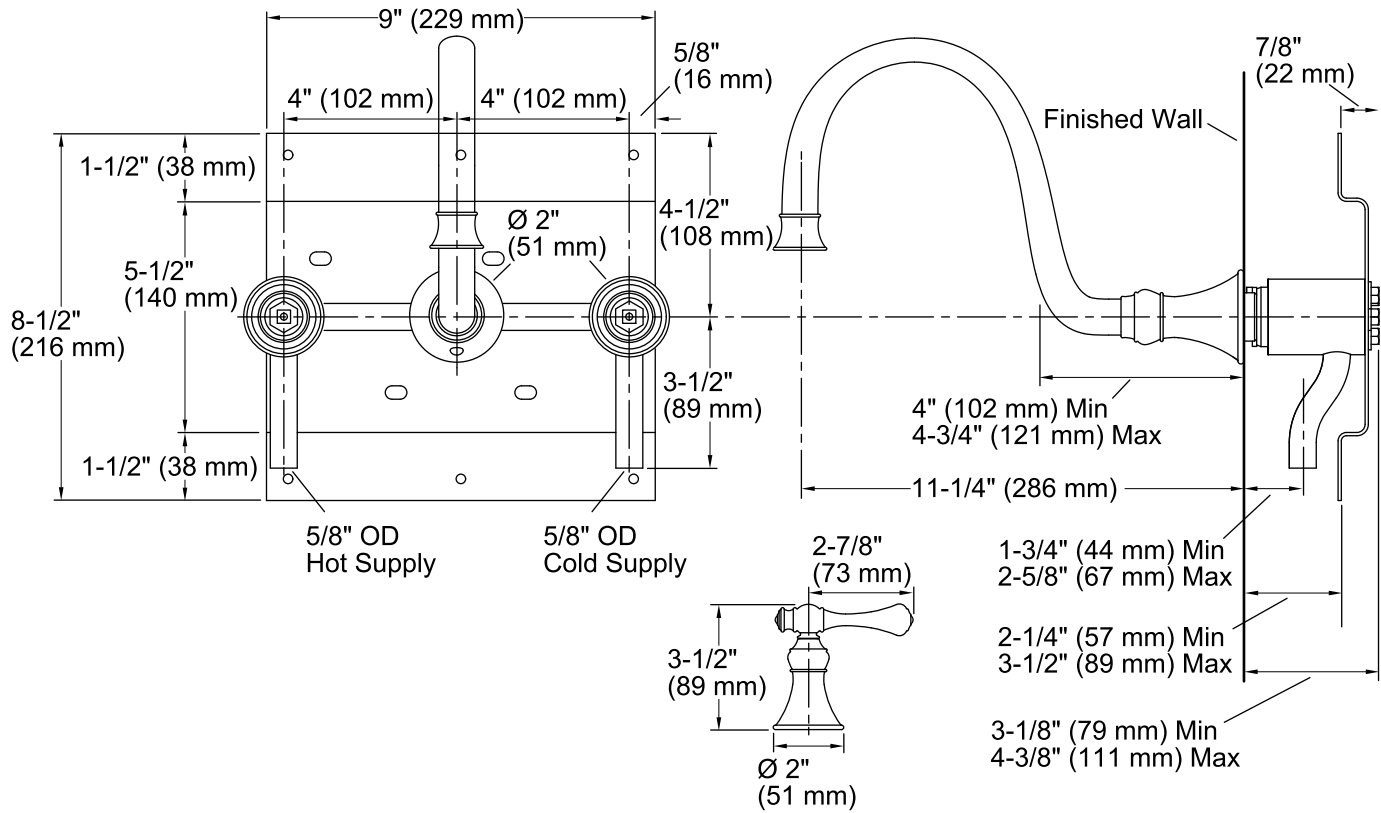
ADA

ICC/ANSI A117.1

All applicable US Federal and State material regulations

### KOHLER® Faucet Lifetime Limited Warranty

See website for detailed warranty information.



### Technical Information

All product dimensions are nominal.

Spout reach: 11-1/4" (286 mm)

### Faucet:

Flow rate: 1.5 gal/min (5.7 l/min)

Pressure: 60 psi (4.1 bar)

### Notes

Install this product according to the installation guide.

Three 1-1/2" (38 mm) diameter cutout holes are required for the spout and handles.

A minimum of 1-1/2" (38 mm) to 6" (152 mm) clearance space must be maintained between bottom of spout and top of the fixture rim.

ADA compliant when installed to the specific requirements of these regulations.