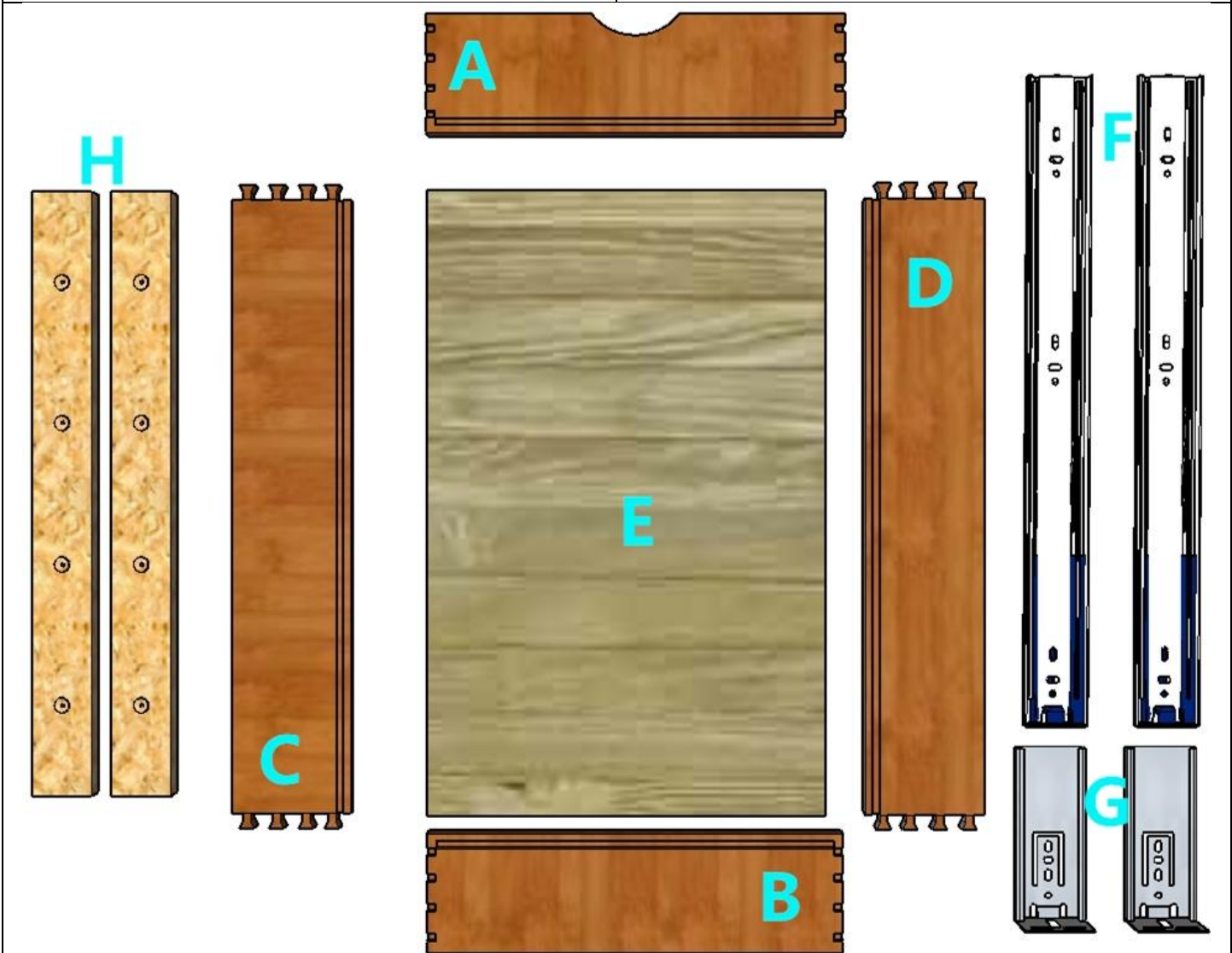


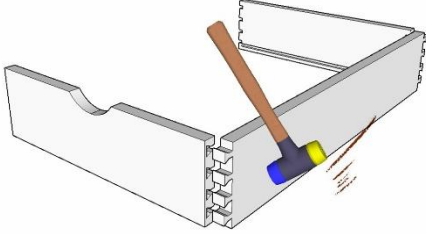
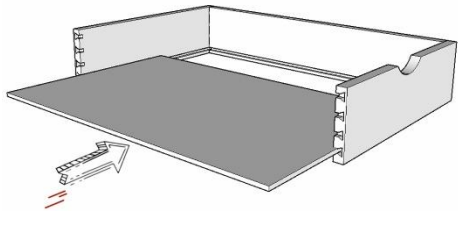
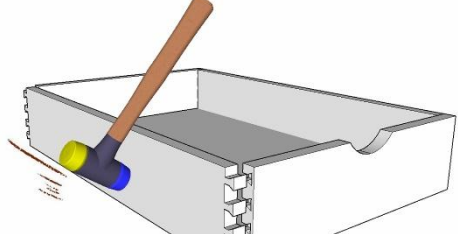
Pull-Out Drawer (Side mounted soft closing tracks)

Parts Included	Tools Required
<p>A: front pin board. B: rear pin board. C & D: side tail board. E: bottom panel. F: slider (track). G: brackets. H: wood spacer (optional)</p> 	<p>A 1/16 inch drill bit is used to drill pilot holes. Tape measure. Rubber Mallet. Phillips Head Screwdriver.</p>

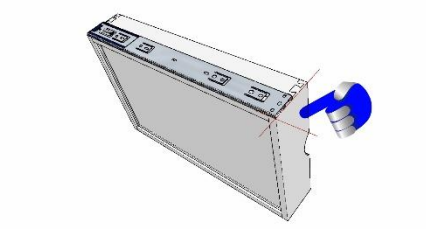
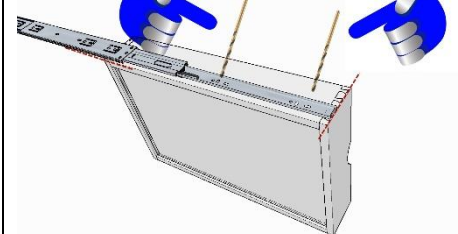
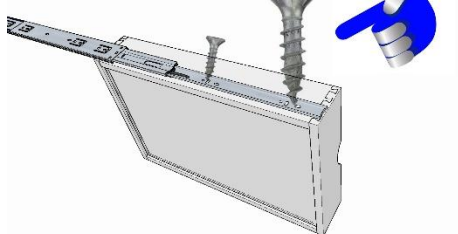
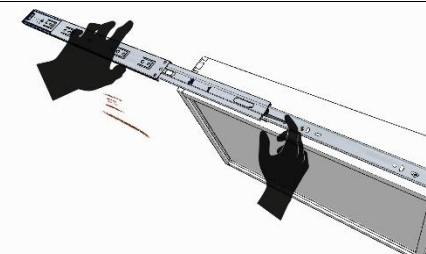
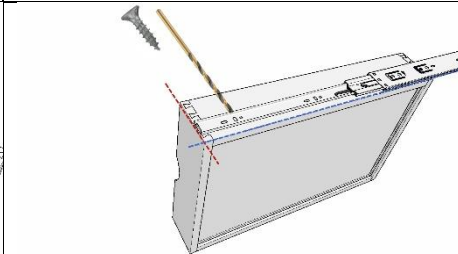
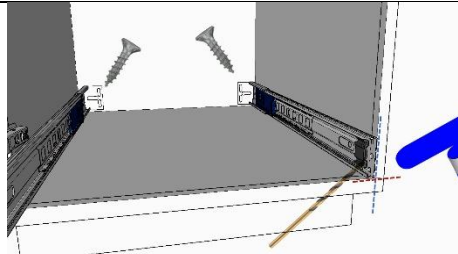
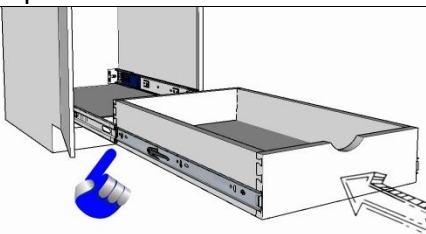
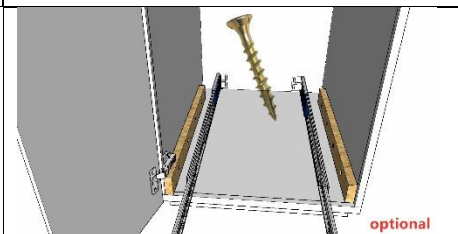
Important reminder:

1. Please measure the internal width of your cabinet before installation. For example, if you purchase a 14-inch wide drawer (NROT 18), the tracks (F) need to be installed on both sides, requiring 15 inches of space. Similarly, for other sizes. The package includes two wooden spacers (H), each 0.75 inches, which can be used if needed to fit the drawer into a 16.5-inch space.
2. This series of drawers comes in 8 widths: 11 inches, 14 inches, 17 inches, 20 inches, 23 inches, 26 inches, 29 inches, and 32 inches. They all have a height of 4 inches and a depth of 22 inches
3. Before assembly, you can use the drawer's front board (A) to test it inside the cabinet.
4. Before preparing to screw in the screws, it is recommended to drill a pilot hole to prevent the wood from splitting, especially the drawer sides are made of solid wood. Directly using screws can easily cause it to crack.

Drawer Box Assemble Instruction

		
<p>1. Connect the front panel and back panel (A , B) with one side panel (C)</p>	<p>2. Insert the Bottom Panel (E)</p>	<p>3. Finally, attach the side panels to the drawer</p>

ELYSIAN™ Pull-Out Drawer Installation Instruction

		
<p>4. Place the slide on the side panel of the drawer, aligning it with the bottom and the front of the drawer.</p>	<p>5. Keep the bottom and top of the outer slide rail aligned. Pull out the slide rail, and use a drill to create pilot holes for the screws</p>	<p>6. Screw in the screws. A reminder once again, please ensure to use a drill first to prevent the drawer from cracking.</p>
		
<p>7. Press down the black plastic locking tab located between the first and second sections of the track, then pull out the track to separate it from the drawer.</p>	<p>8. Flip the drawer to the other side and repeat the above steps (5-7).</p>	<p>9. Connect the separated section of the track to the rear bracket, then install it inside the cabinet, ensuring the front of the track is flush with the front of the cabinet.</p>
		<p>10. Align the drawer with the track and insert it. It is recommended not to tighten the screws on the rear bracket of the track too tightly;</p>
<p>Optional: Use wooden spacers between the track and the cabinet.</p>	<p>Common Troubleshooting Methods:</p>	<p>If the track does not slide smoothly, it is usually due to the track not being installed parallel: You can use a level to adjust the position of the track. During installation, do not overtighten the screws on the rear bracket initially. You can also try pulling the drawer while it is loaded to see if it slides smoothly.</p> <p>If the soft close function is not working, the soft close system (gray or blue) usually has a latch that may affect its normal operation.</p>