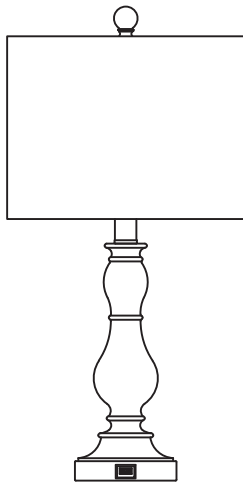
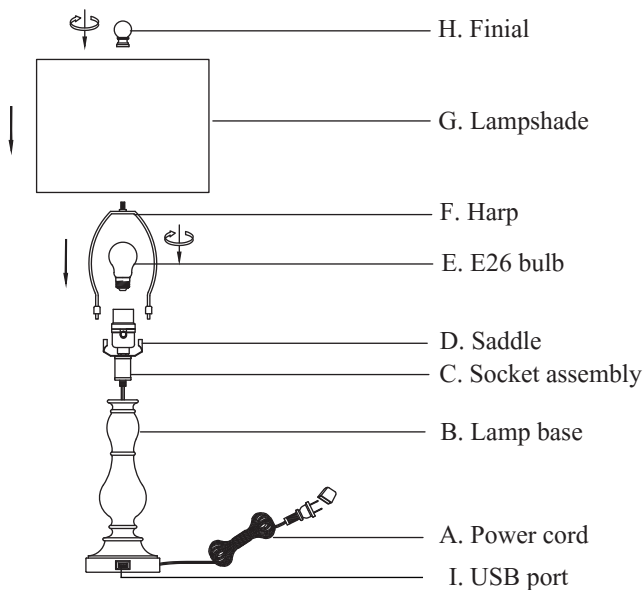


# Instruction Manual

## Table Lamp Set Of 2



## Overview



## Assembly Instruction

1. Rotate Socket assembly C counter-clockwise by two turns, then screw Socket assembly onto Lamp base B and tighten.
2. Insert Harp F into Saddle D.
3. Install E26 bulb E into socket.
4. Attach assembled Lamp shade G onto Harp F and tighten it with Finial H.

**For Lamp shade assembly, please refer to attached instruction-Lamp Shade Assembly.**

## Product Specifications

Input voltage	120V
Rated power	100W MAX
USB port	5V 2A
Lamp socket	E26
Cord Length	5ft.

## Product Packaging

- Lamp base assembly × 2
- Lamp shade cloth × 2
- Shade frame × 4
- Harp&Finial × 2
- E26 bulb × 2
- Lamp manual × 1
- Lamp shade manual × 1

## Safety Warning:

### BULB TYPE:

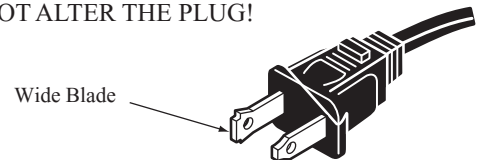
Use only the bulb type and wattage indicated on Wattage Label placed on or near socket.

**WARNING: NEVER EXCEED MAXIMUM WATTAGE** Indicated as bulb may cause fire.

### CAUTION:

This portable lamp has a polarized plug (one blade is wider than the other) as a safety feature. This plug can be used in a polarized outlet only one way. If plug does not fit fully into the outlet, reverse the plug. If it still does not fit, contact a qualified electrician.

**DO NOT ALTER THE PLUG!**



### PROPER LAMP CARE:

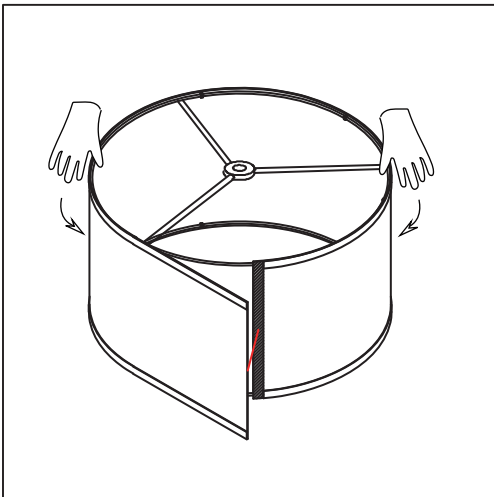
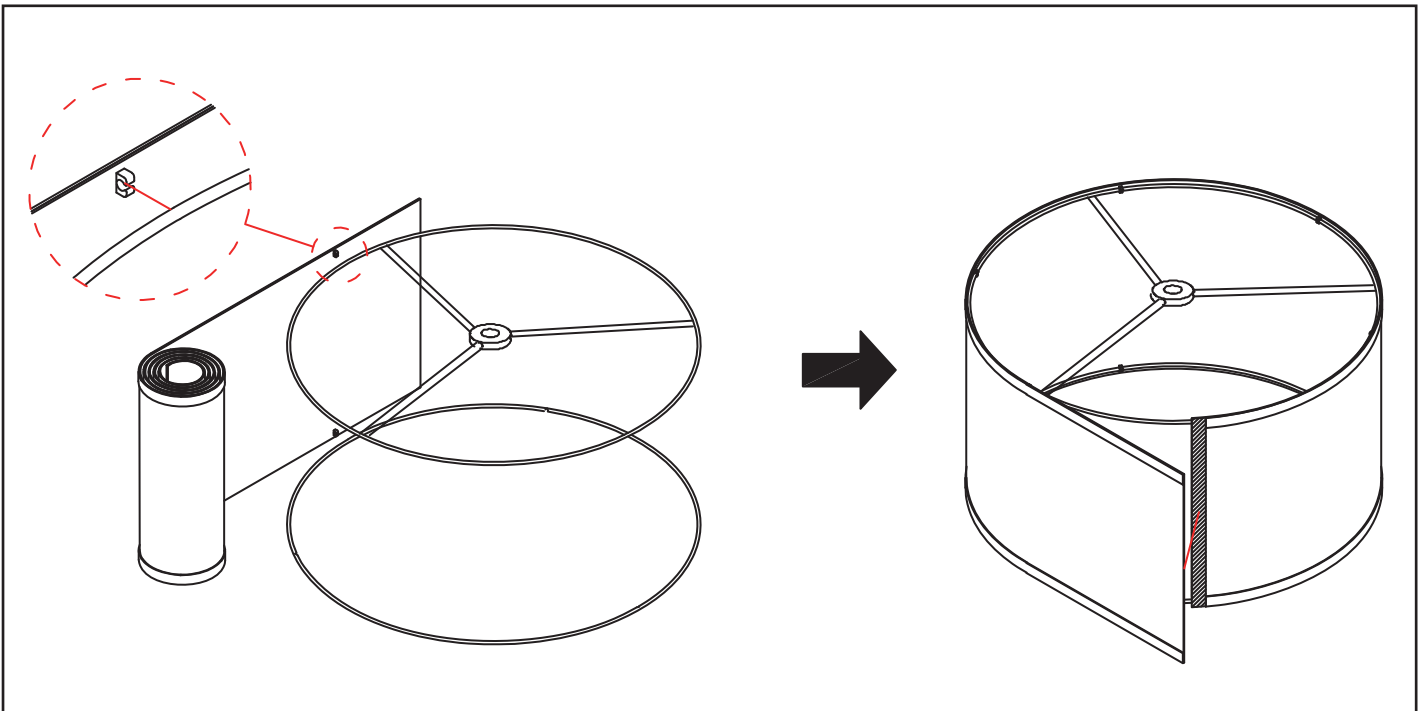
Use a soft cloth to dust your lamp on a regular basis. Never use chemicals or an abrasive cleaner, to do so may damage the finish on your lamp.

### TROUBLESHOOTING:

If fixture does not work:

1. Turn off electrical power and check all wire connections.
2. Check fuse or circuit breaker and replace if necessary.
3. Check to make sure light bulb is in working order.

# Lamp Shade Assembly



1. Push and pull the fabric to be tight before attach it together by velcro.