

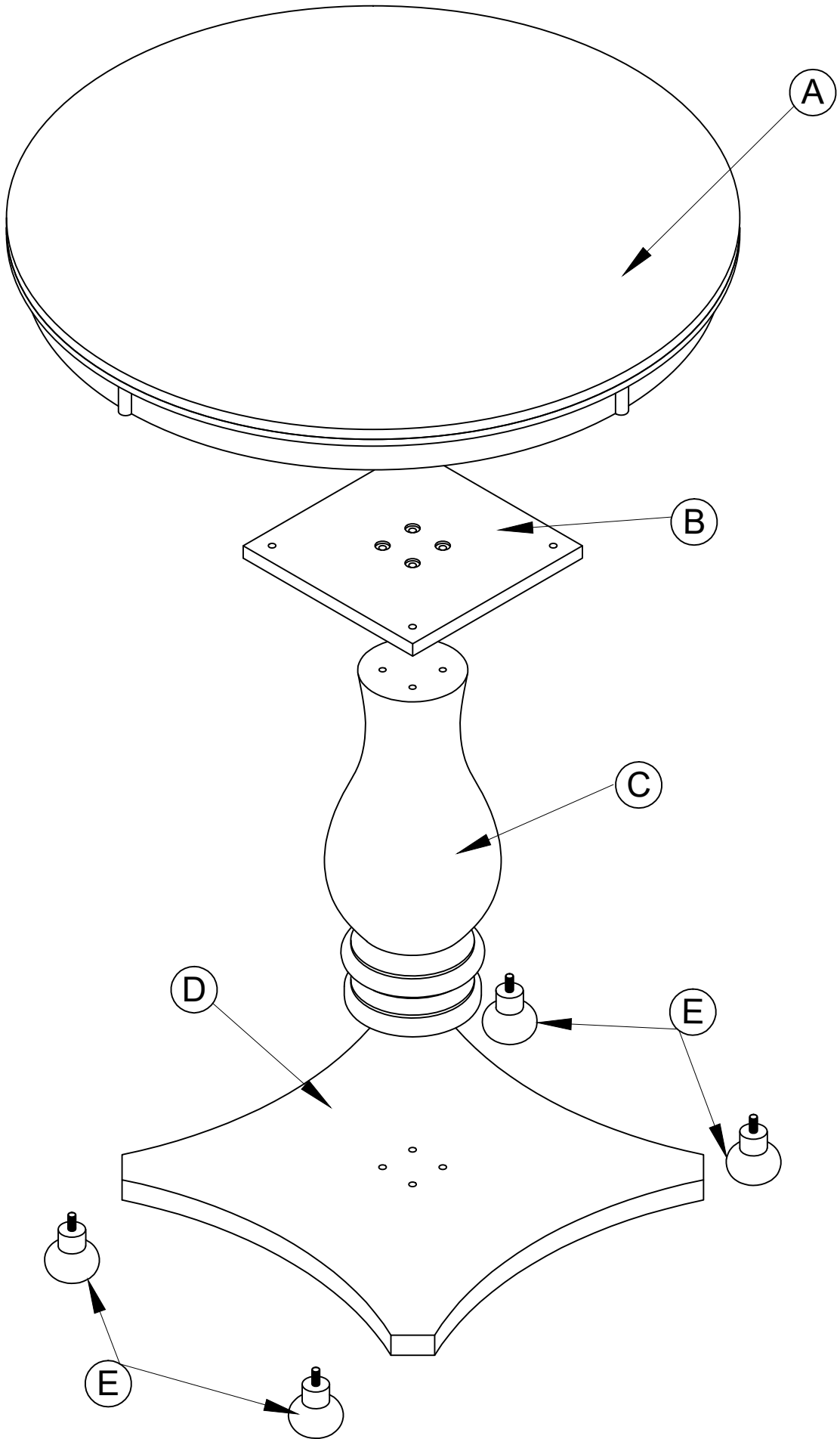
ASSEMBLY INSTRUCTION

ITEM NO. N715P170372/N715P197985
DINING TABLE



IMPORTANT NOTE:

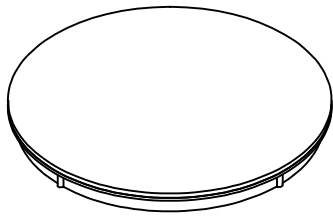
- ① PLACE ALL PARTS ON A CLEAN AND SMOOTH SURFACE SUCH AS A RUG OR CARPET TO AVOID THE PARTS FROM BEING SCRATCHED.
- ② BEFORE YOU BEGIN, KINDLY FOLLOW THE ASSEMBLY INSTRUCTIONS STEP BY STEP.
- ③ DO NOT TIGHTEN ALL SCREWS AND BOLTS UNTIL THE CHAIR IS FULLY SET-UP.



Part List (N715P170372)

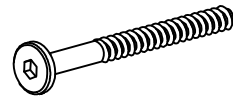
Hardware List (N715P170372)

(A)



TOP TABLE (1PC)

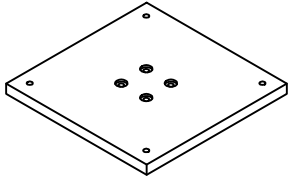
(1)



Ø 5/16" x 50mm

BOLT (12 pcs)

(B)



SUPPORT BOARD (1PC)

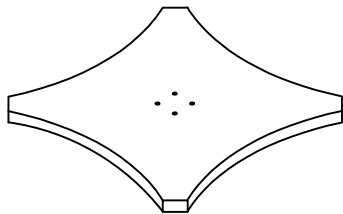
(2)



Ø 5/16" x 13mm

FLAT WASHER (12 pcs)

(D)



FOOT PLATFORM (1PC)

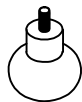
(3)



Ø 5/16" x 19mm

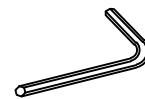
LOCK WASHER (12 pcs)

(E)



FOOT SOLE (4PCS)

(4)

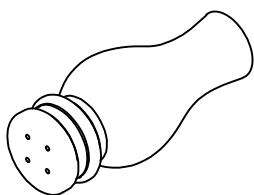


4mm

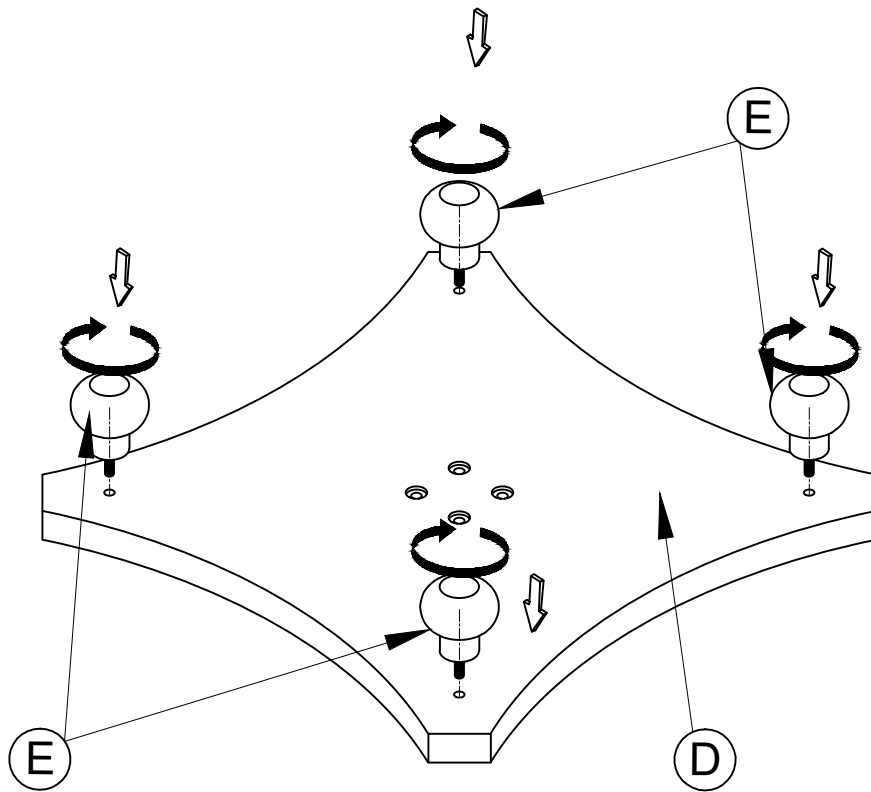
ALLEN KEY (1 pc)

Part List (N715P197985)

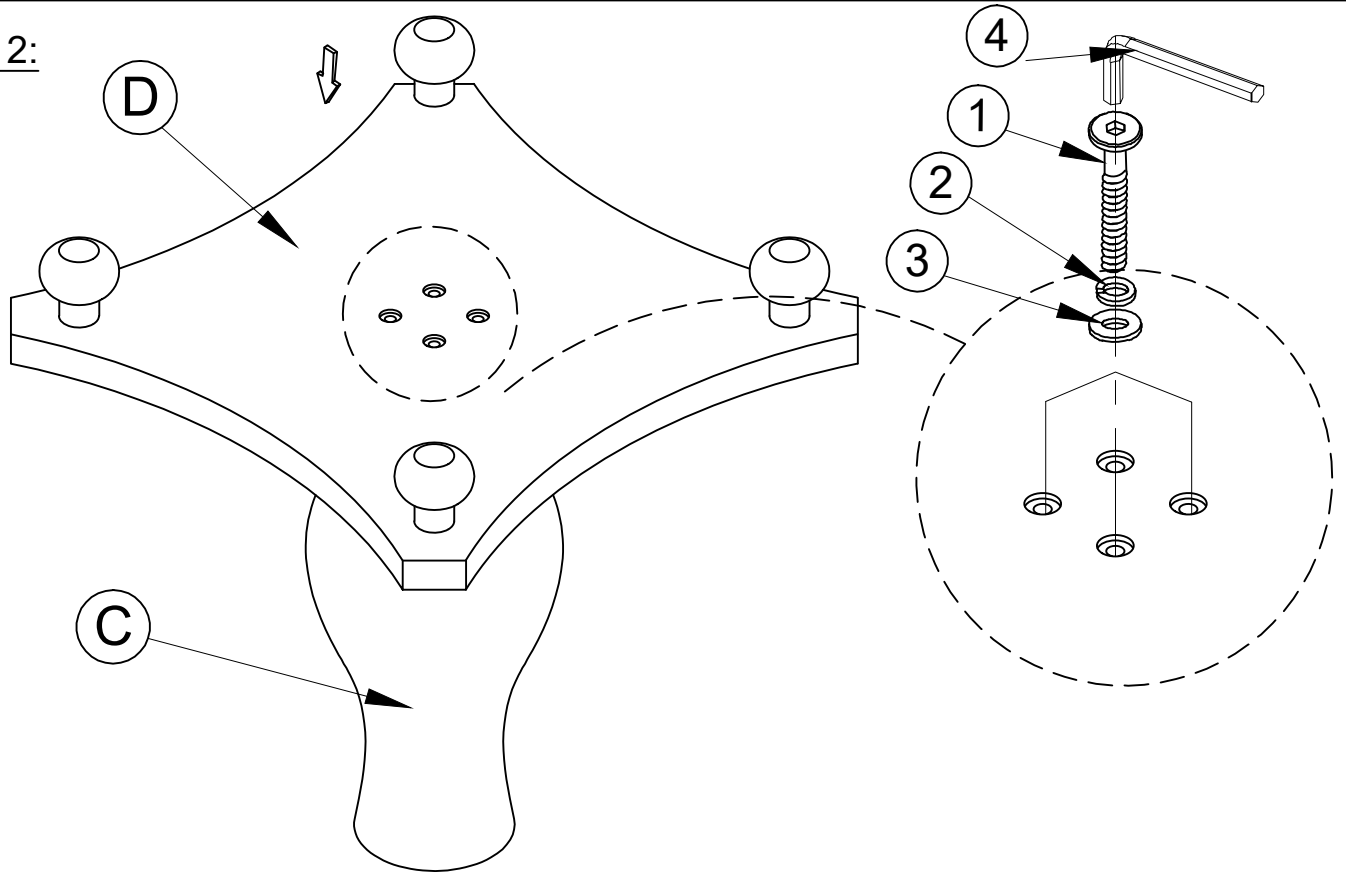
(C)

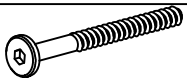


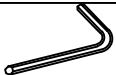


STEP 1:

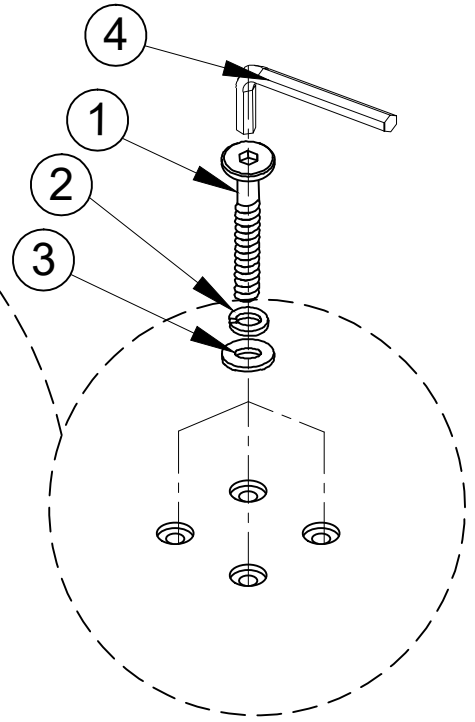
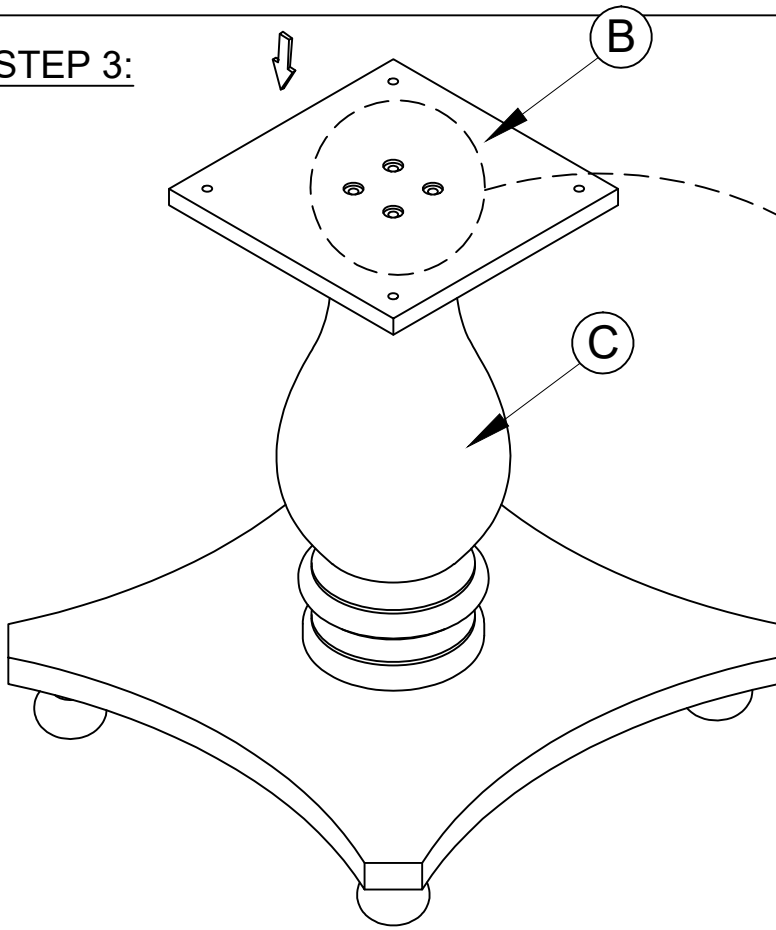


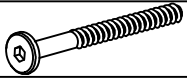



STEP 2:



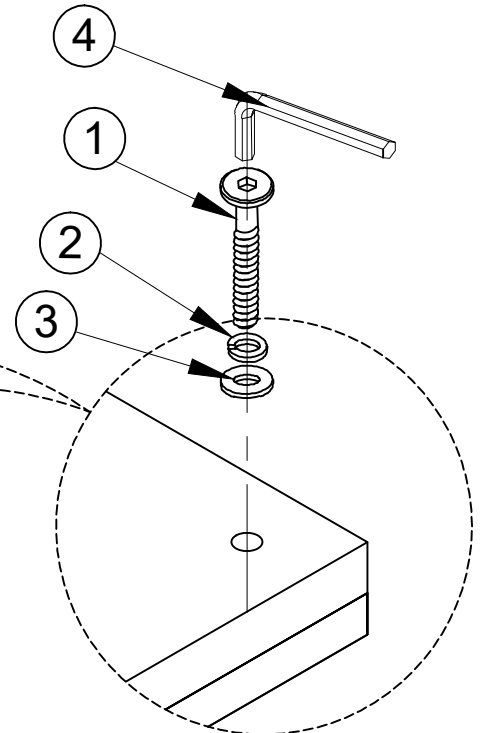
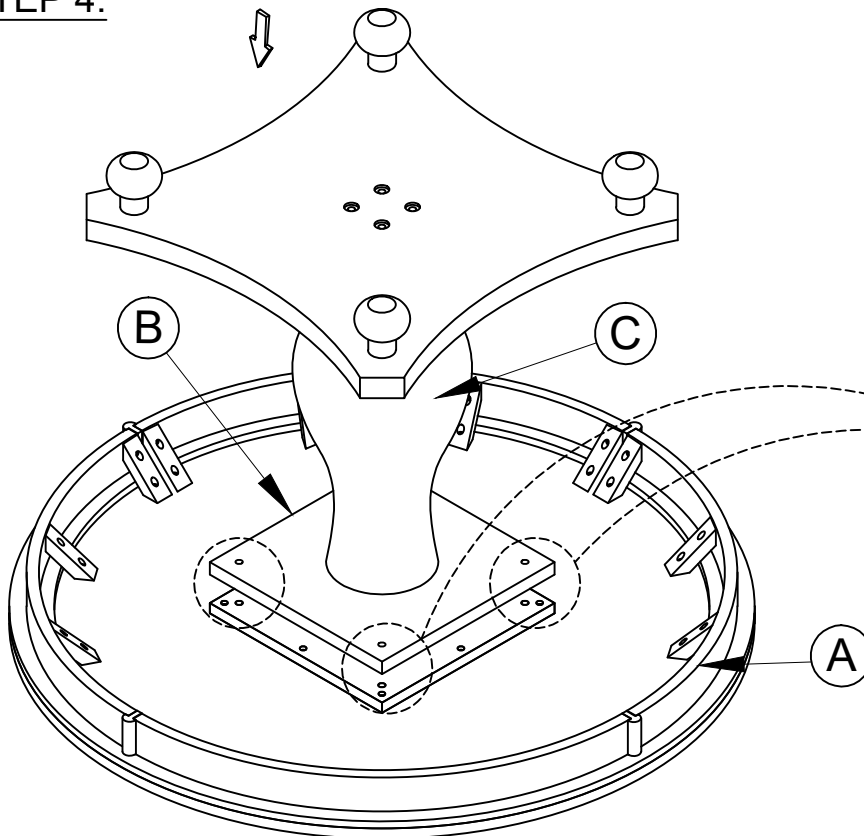
1	Ø 5/16" x 50mm		4pcs	2	Ø 5/16" x 13mm		4pcs
3	Ø 5/16" x 19mm		4pcs	4	4mm		1pc

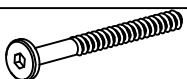



STEP 3:



1	Ø 5/16" x 50mm		4pcs	2	Ø 5/16" x 13mm		4pcs
3	Ø 5/16" x 19mm		4pcs	4	4mm		1pc

STEP 4:



1	Ø 5/16" x 50mm		4pcs	2	Ø 5/16" x 13mm		4pcs
3	Ø 5/16" x 19mm		4pcs	4	4mm		1pc

COMPLETE:

