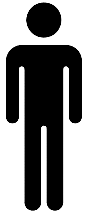
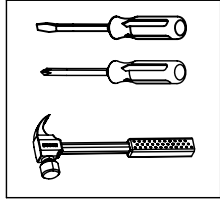


60 MIN



x2



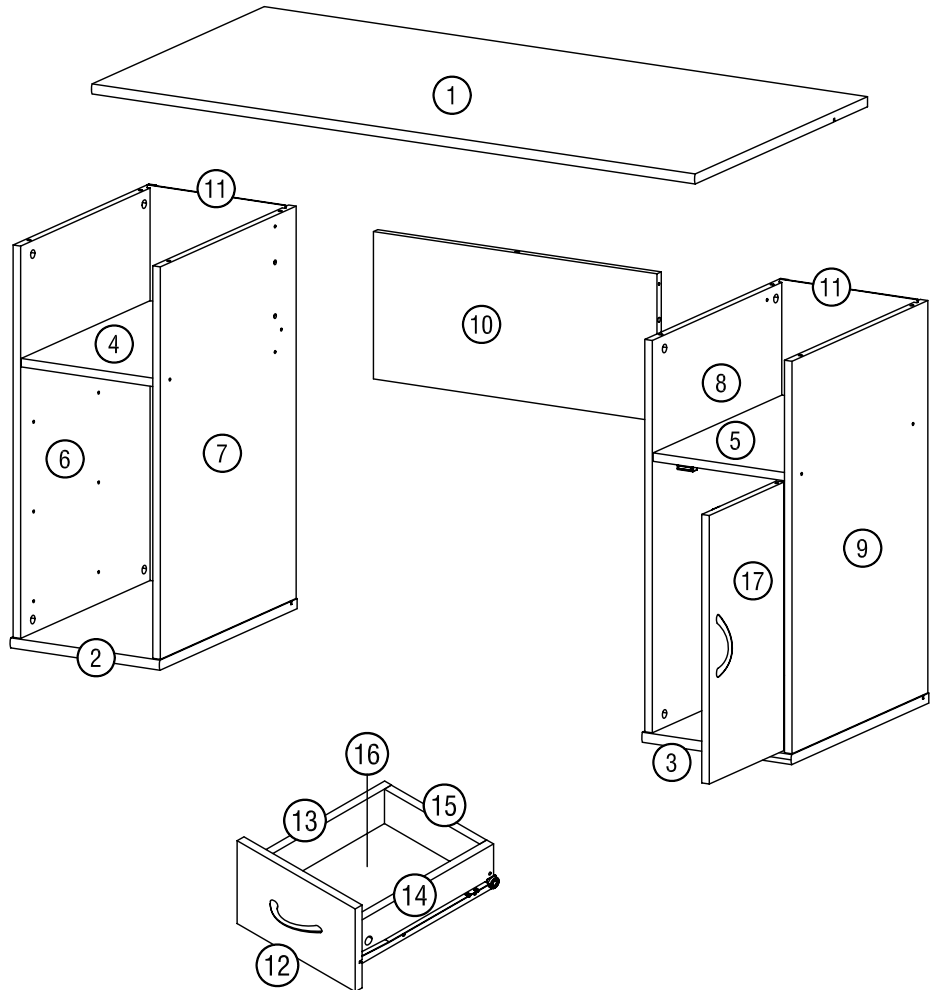
Self-Assemble  
tool request

### Instructions/Instrucciones/Mode d'emploi

- Do not tighten bolts completely until desk is fully assembled
- Por favor no apretar los tornillos hasta que haya ensamblado
- el escritorio completamente

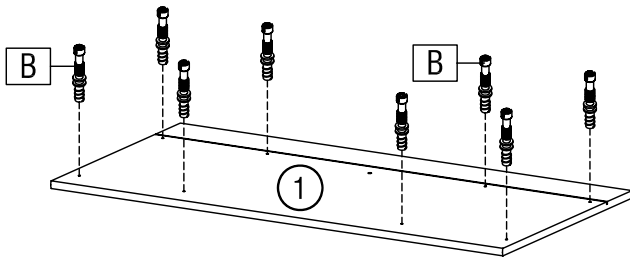
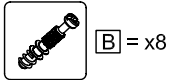
## PARTS LIST

1	x1
2	x1
3	x1
4	x1
5	x1
6	x1
7	x1
8	x1
9	x1
10	x1
11	x2
12	x3
13	x3
14	x3
15	x3
16	x3

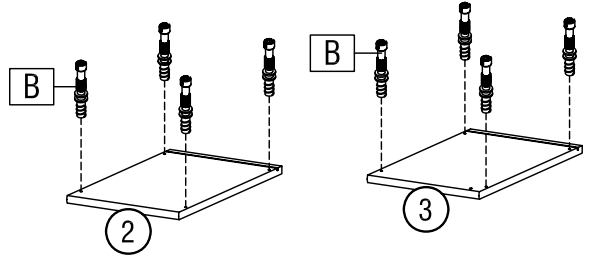


<b>A</b>  x22	<b>B</b>  x22	<b>C</b>  x22	<b>D</b>  x25	<b>E</b>  6 X 13 mm x24	<b>F</b>  4 X 22 mm x8	<b>G</b>  4 x 13 mm x3
<b>H</b>  8 x 50 mm x18	<b>I</b>  x4	<b>J</b>  x1	<b>K</b>  x2	<b>L</b>  3 set	<b>M</b>  x1	<b>N</b>  4 X 15 mm x16
<b>O</b>  x16						

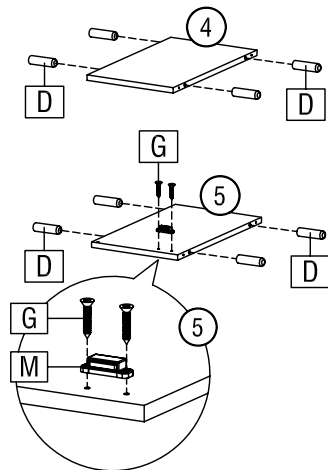
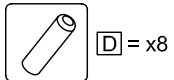
## Step 1



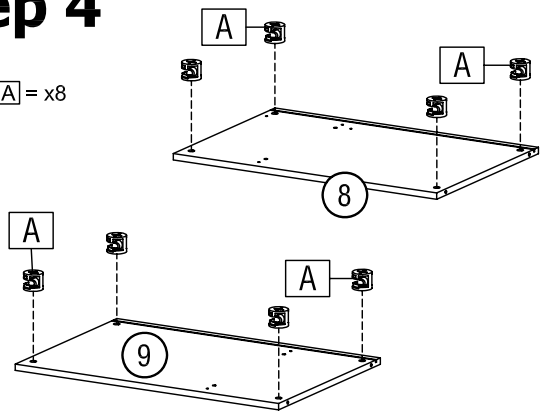
## Step 2



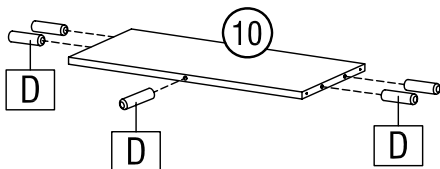
## Step 3



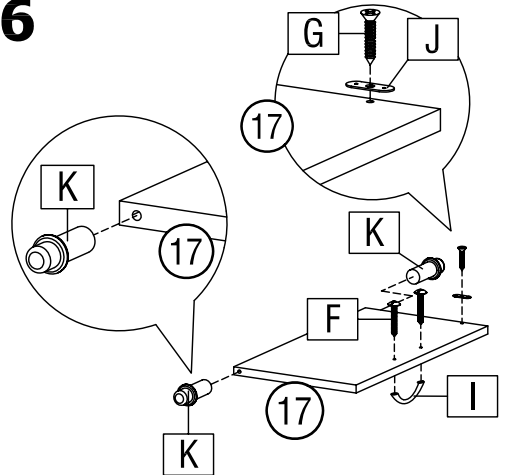
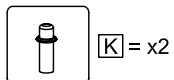
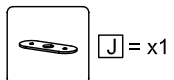
## Step 4



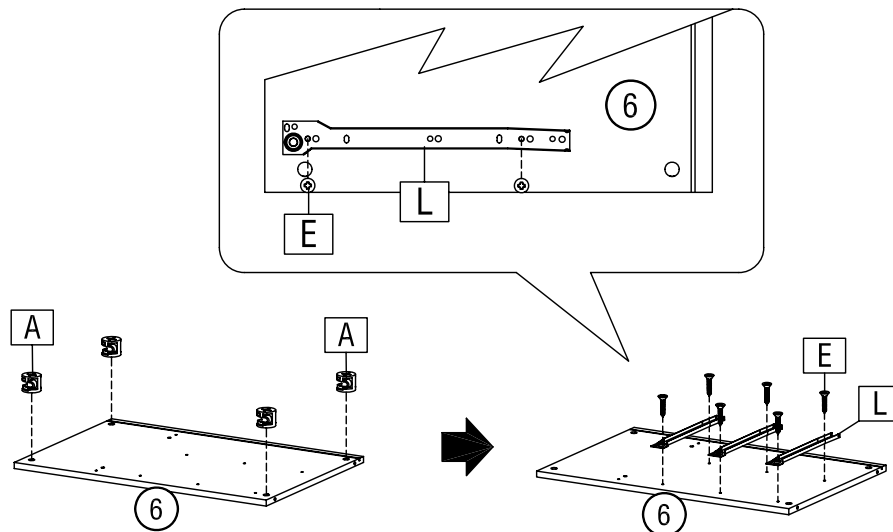
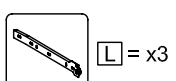
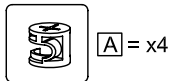
## Step 5



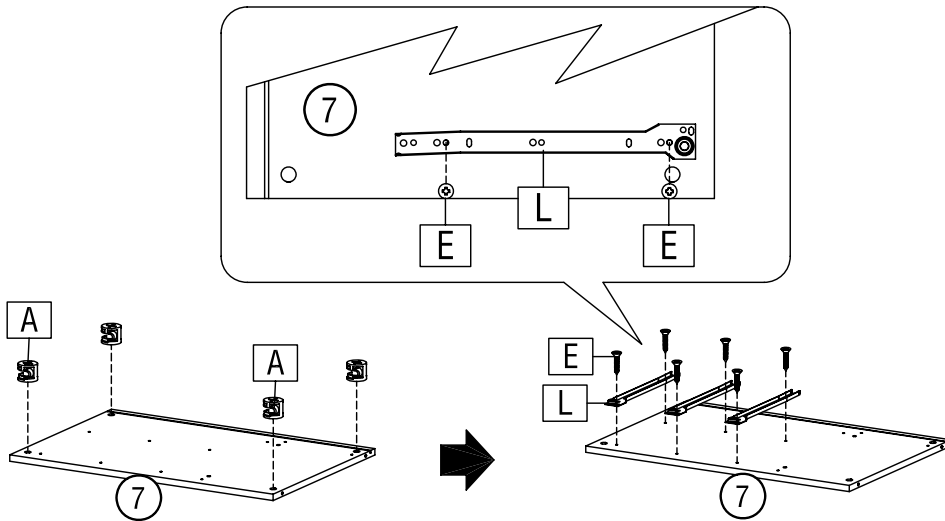
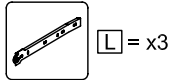
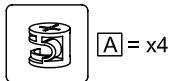
## Step 6



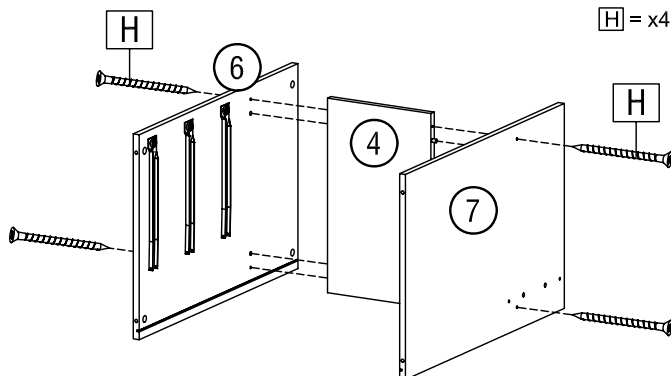
## Step 7



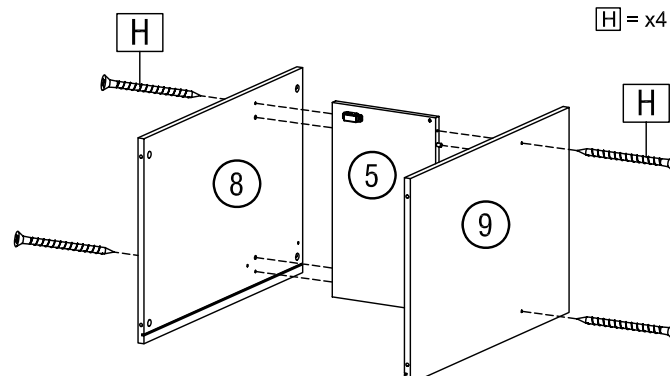
## Step 8



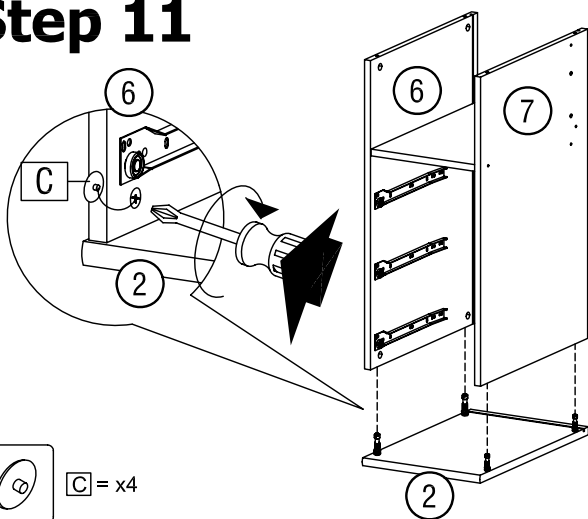
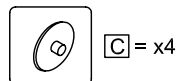
## Step 9



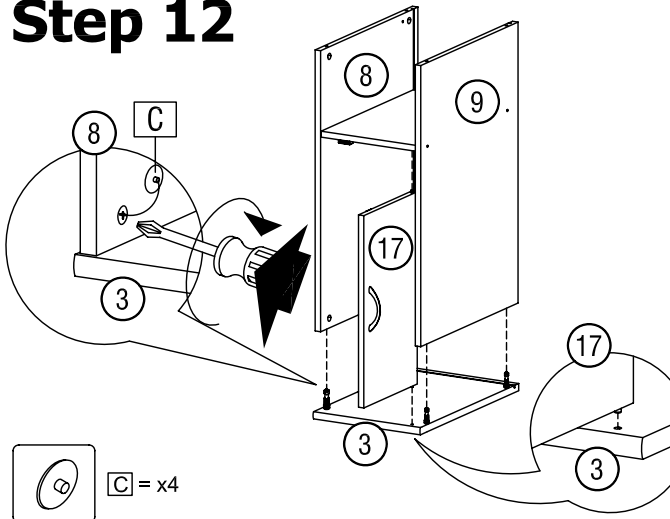
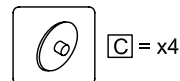
## Step 10



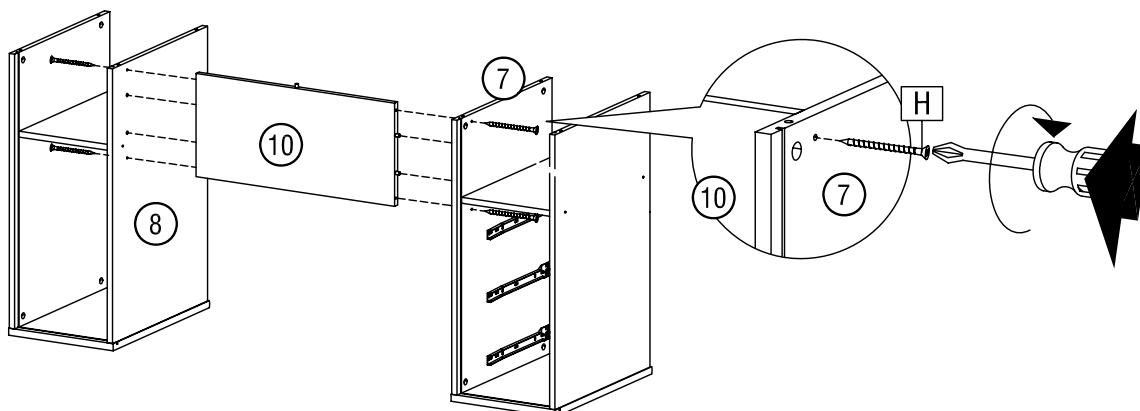
## Step 11



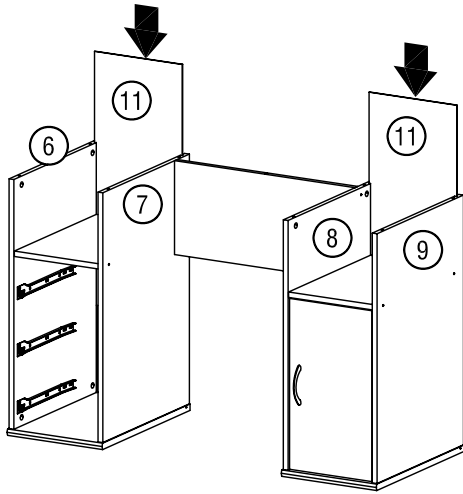
## Step 12



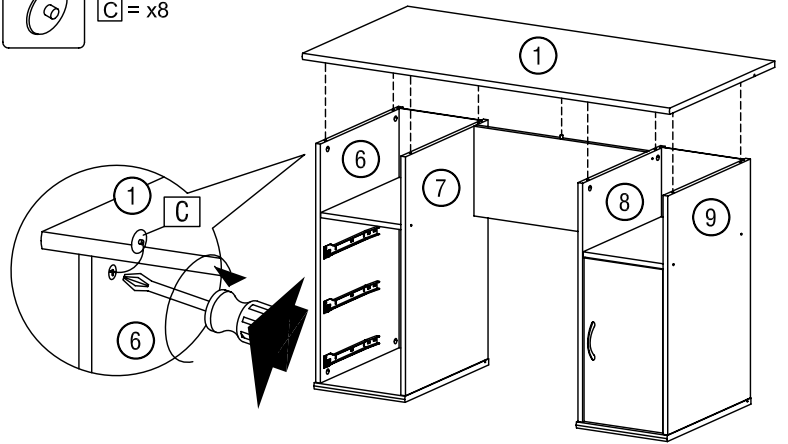
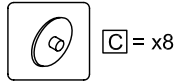
## Step 13



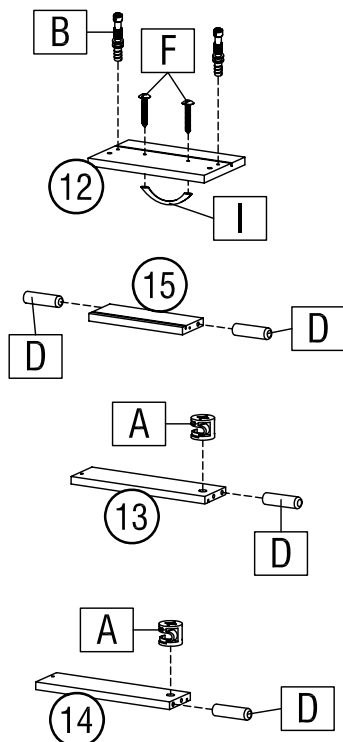
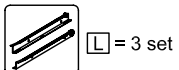
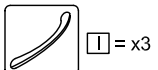
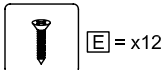
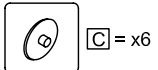
## Step 14



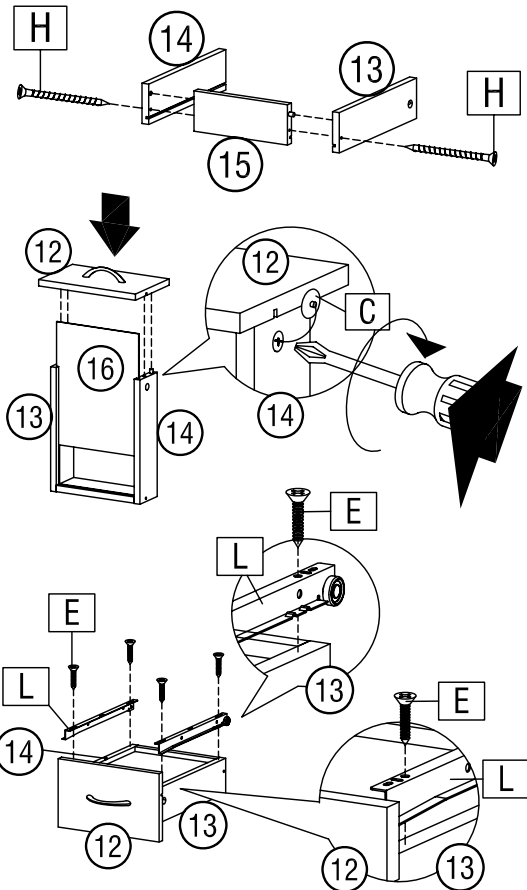
## Step 15



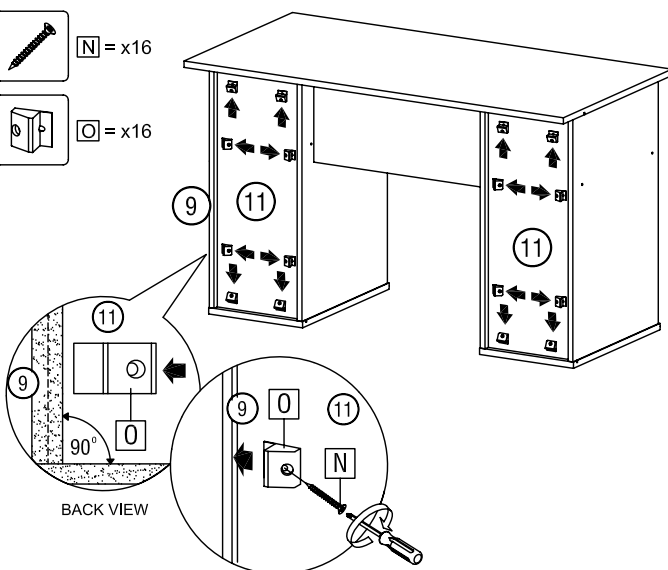
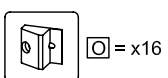
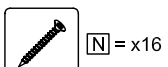
## Step 16



3X



## Step 17



## Step 18

