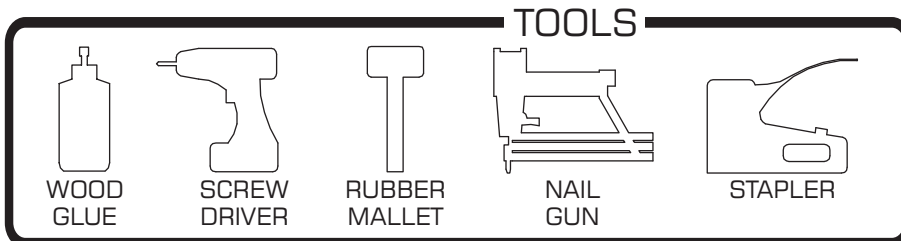
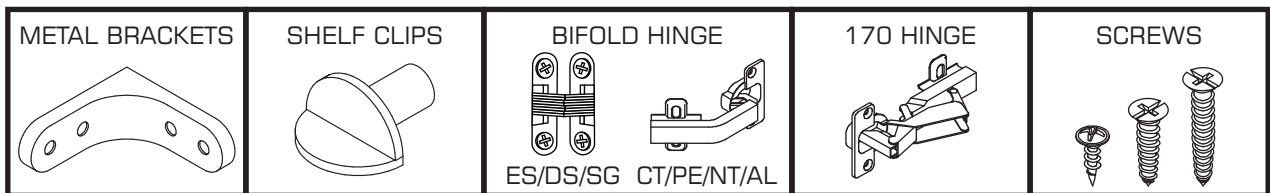
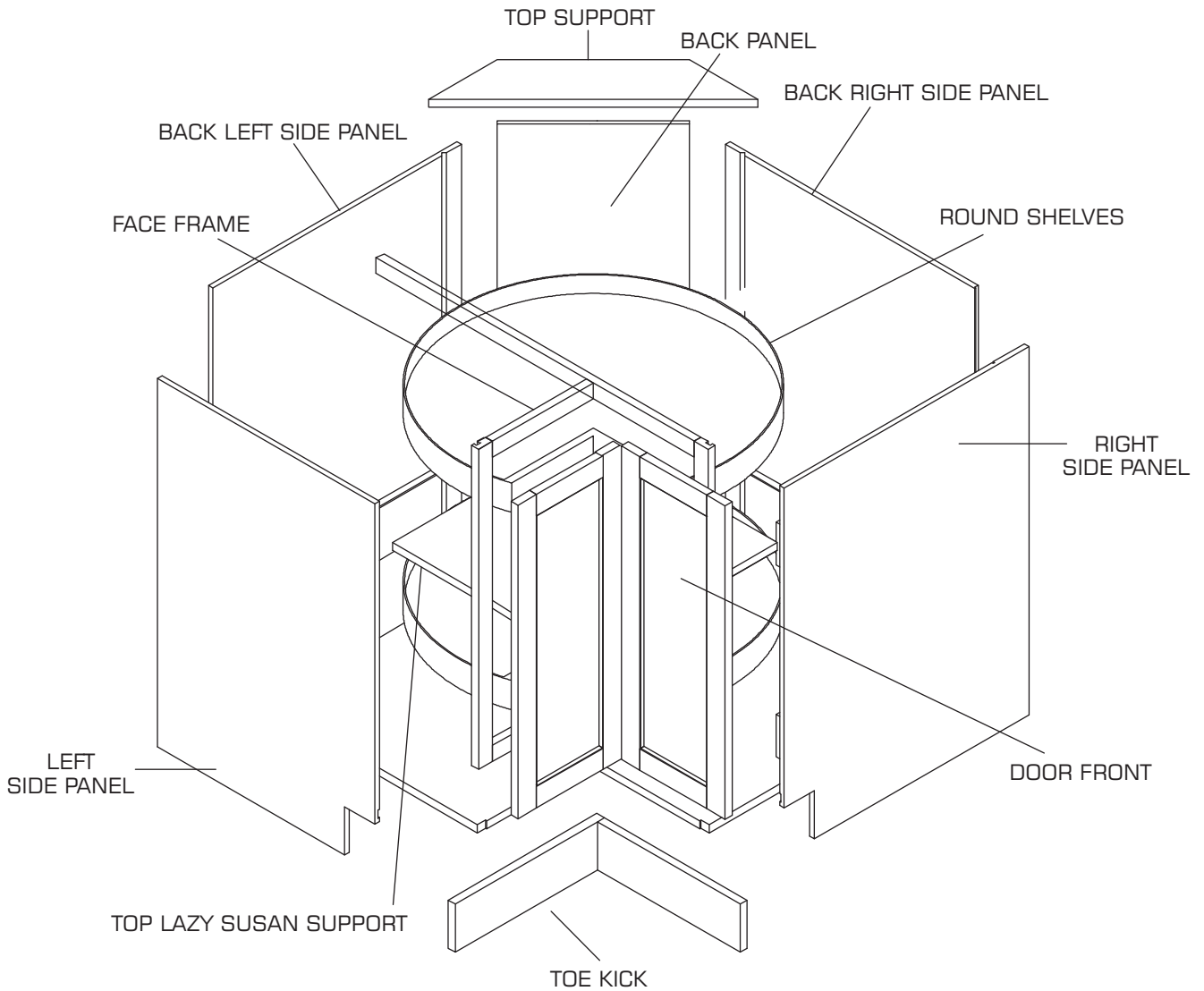


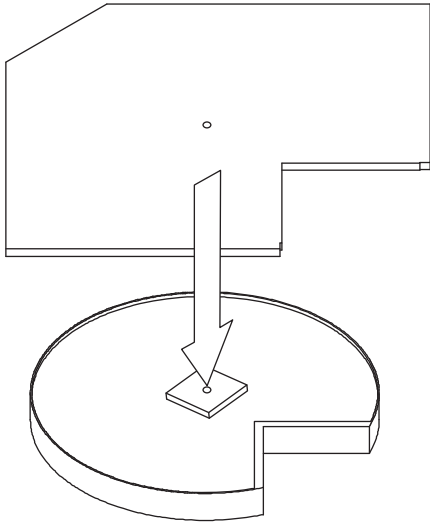


CABINET ASSEMBLY INSTRUCTIONS

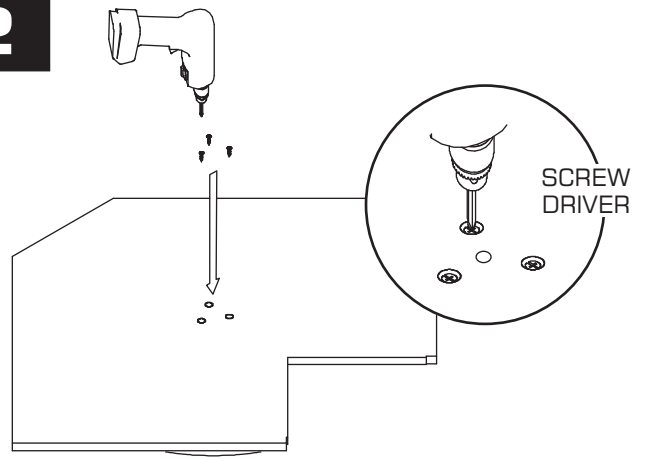
ASSEMBLING INSTRUCTIONS - LAZY SUSAN CABINET



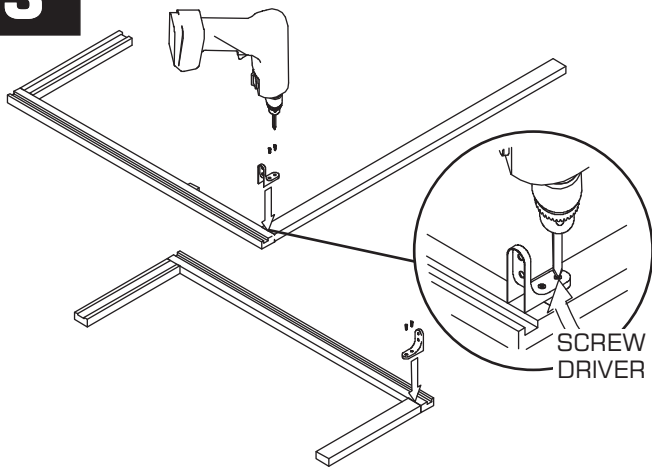
STEP 1



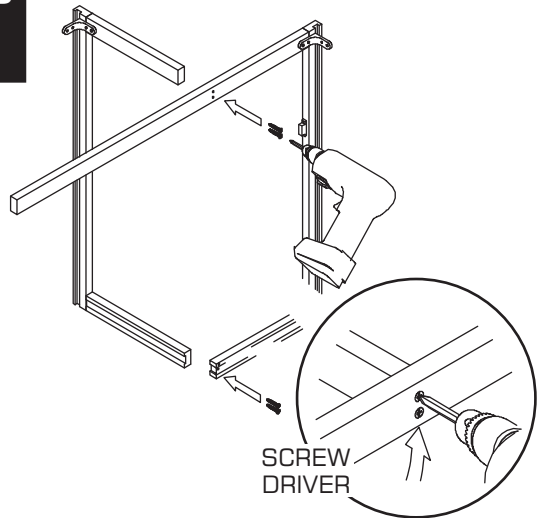
STEP 2



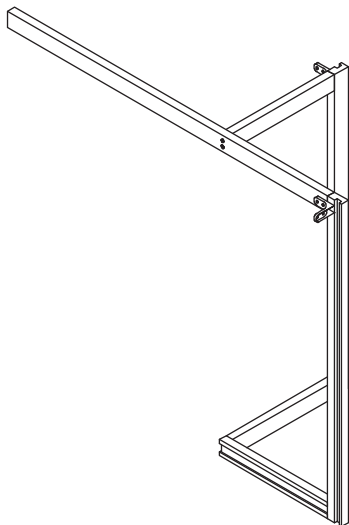
STEP 3



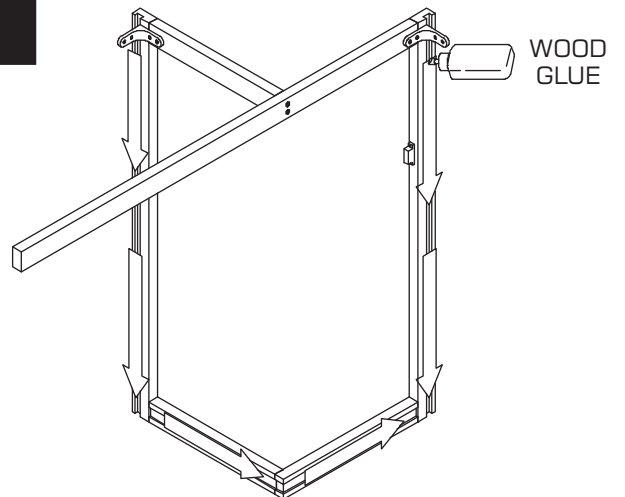
STEP 4



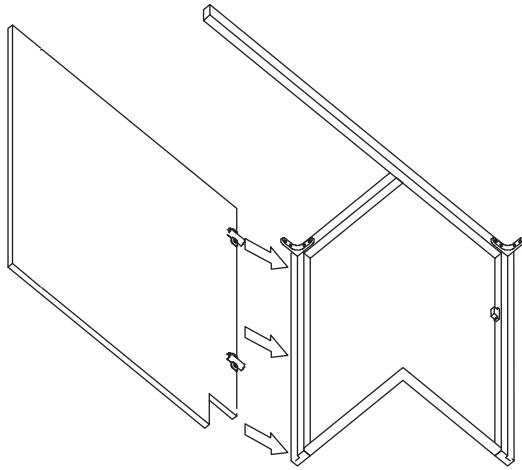
STEP 5



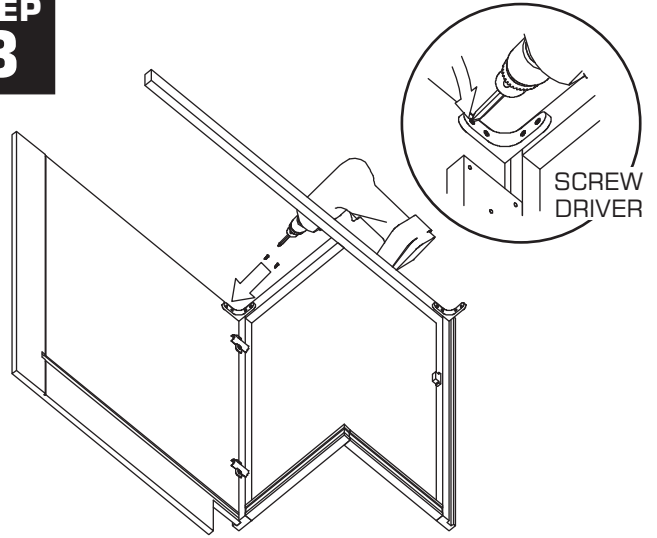
STEP 6



STEP 7

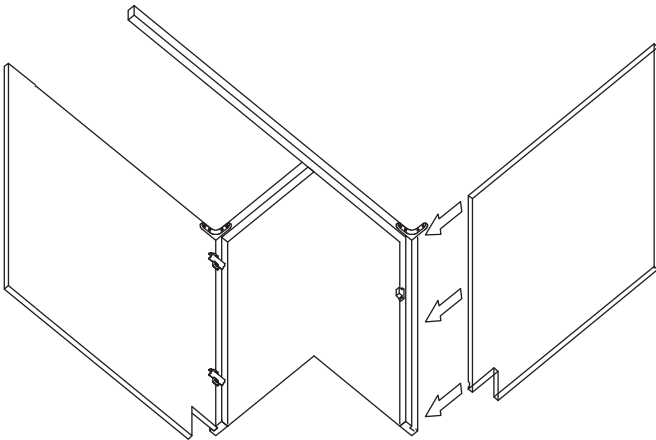


STEP 8

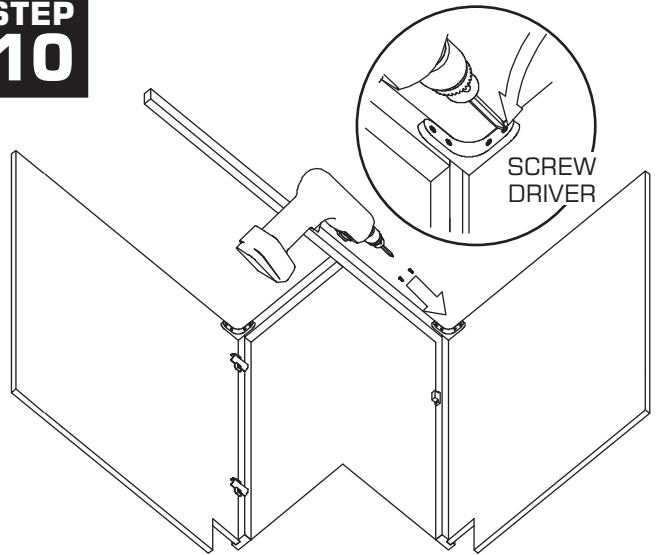


SCREW DRIVER

STEP 9

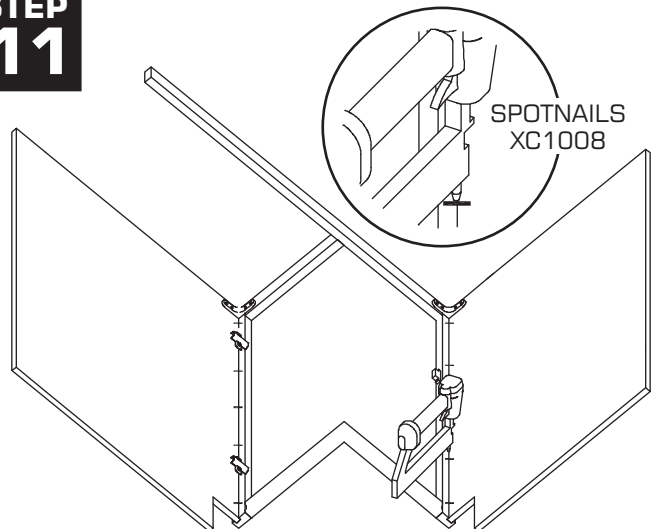


STEP 10



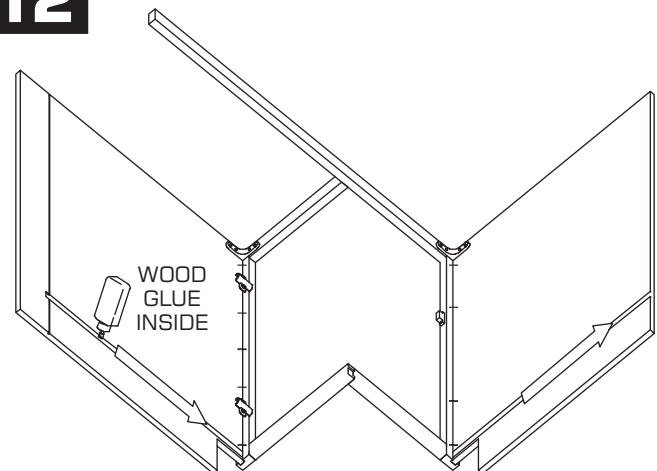
SCREW DRIVER

STEP 11



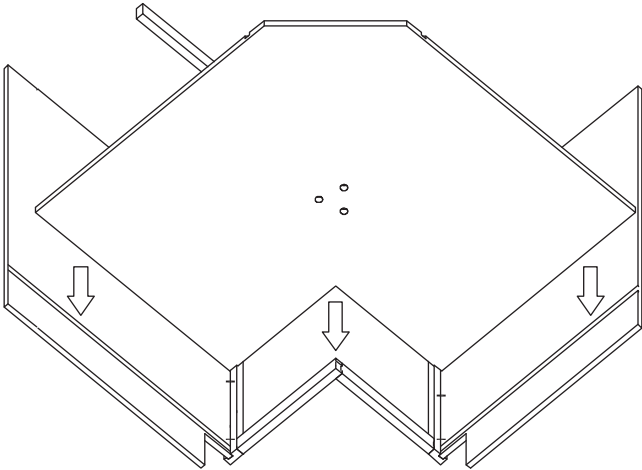
SPOTNAILS XC1008

STEP 12

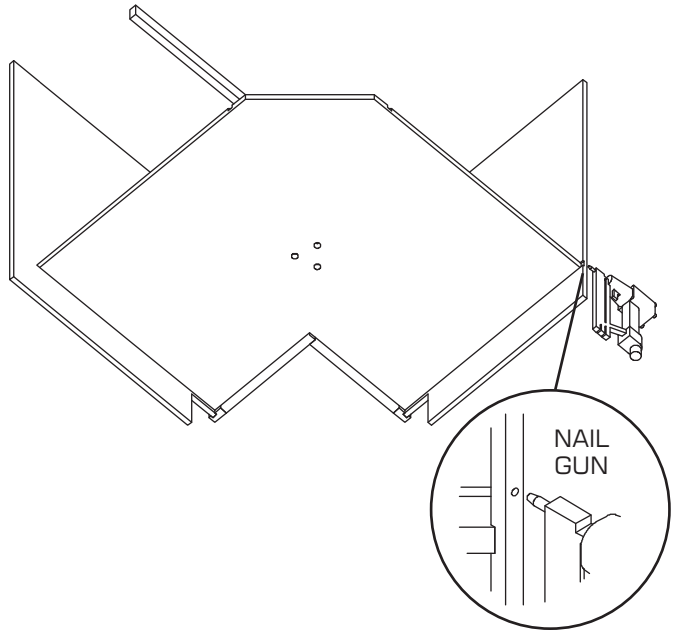


WOOD GLUE INSIDE

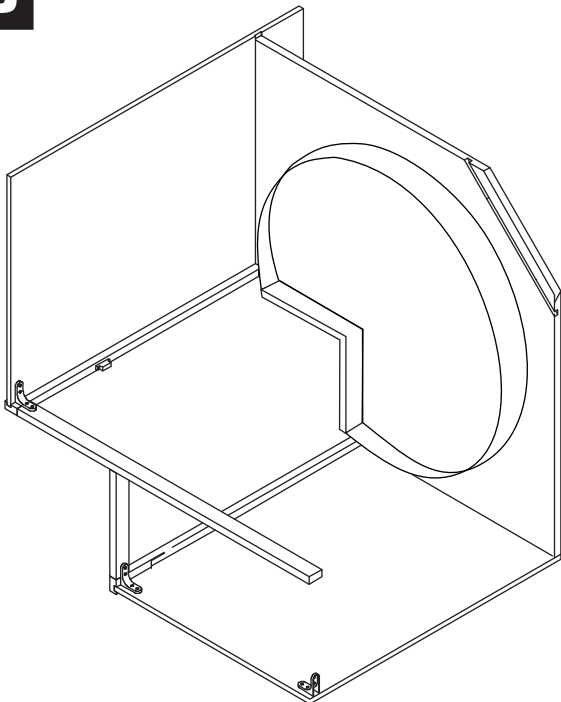
STEP 13



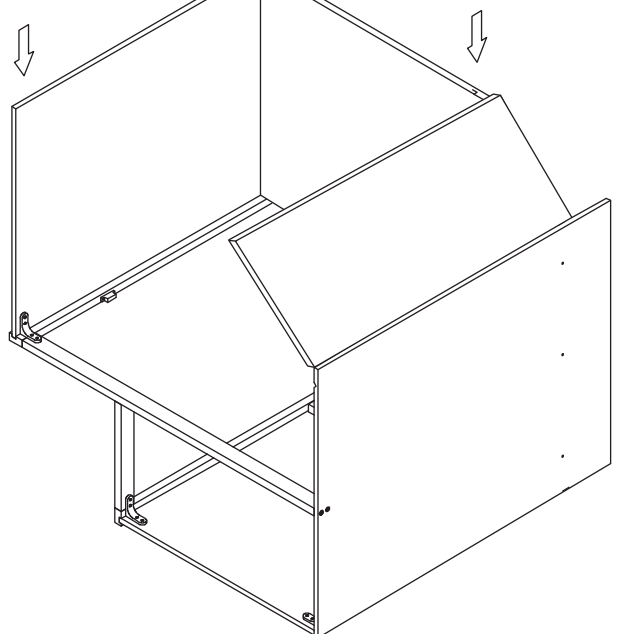
STEP 14



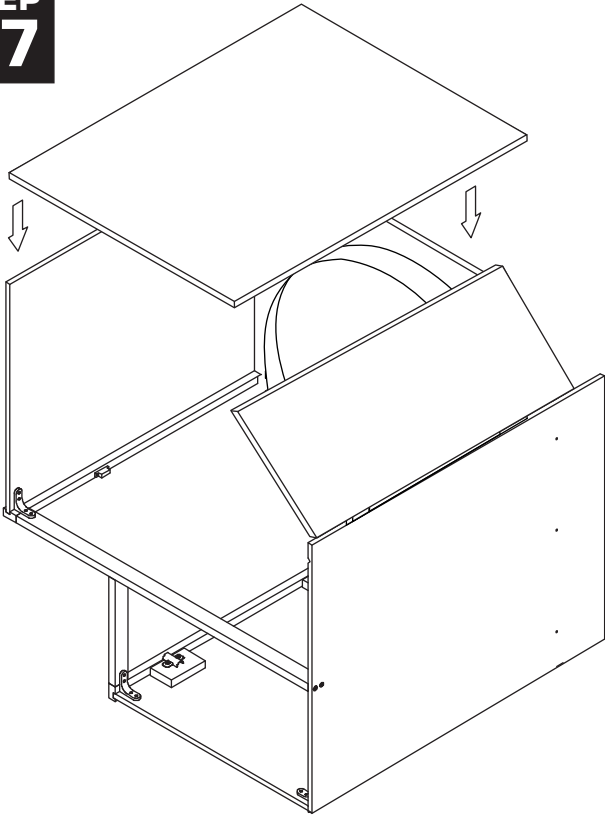
STEP 15



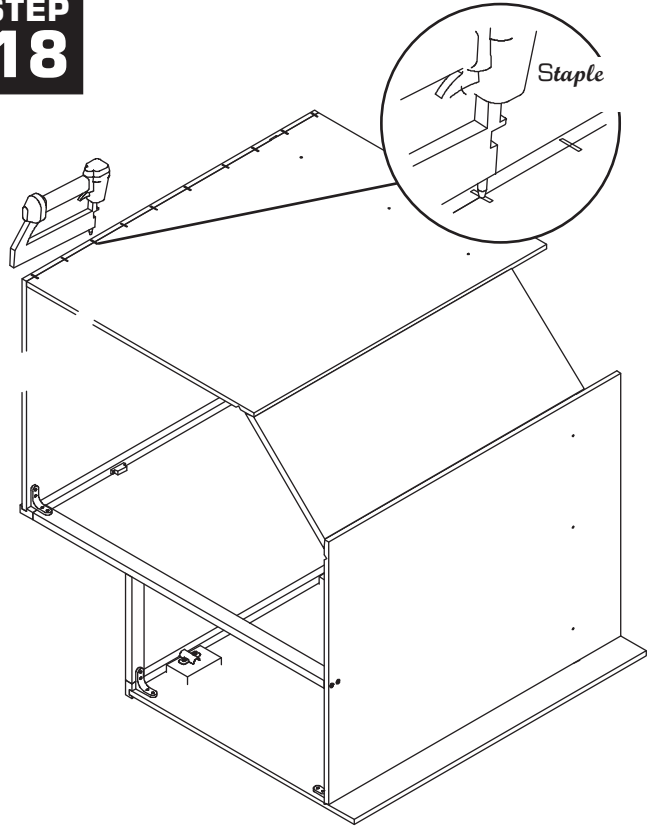
STEP 16



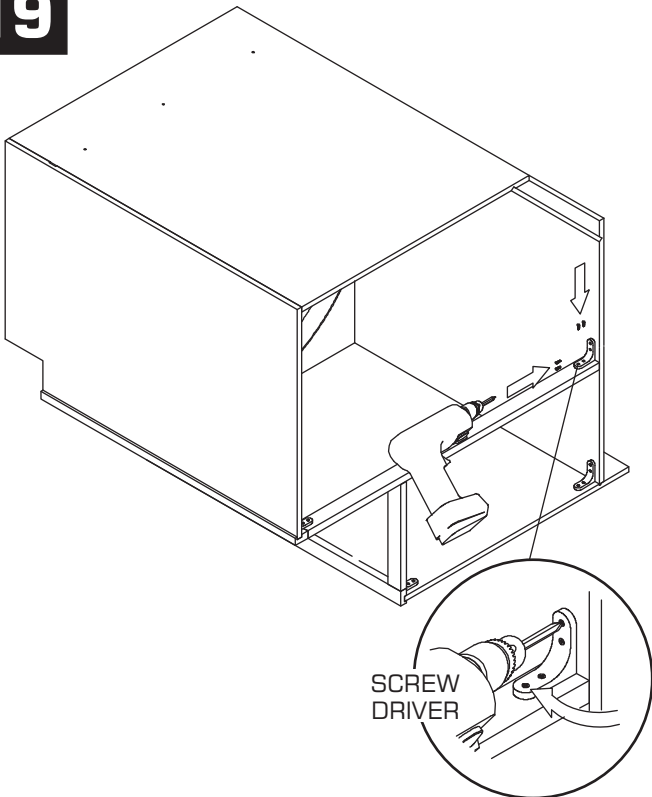
STEP 17



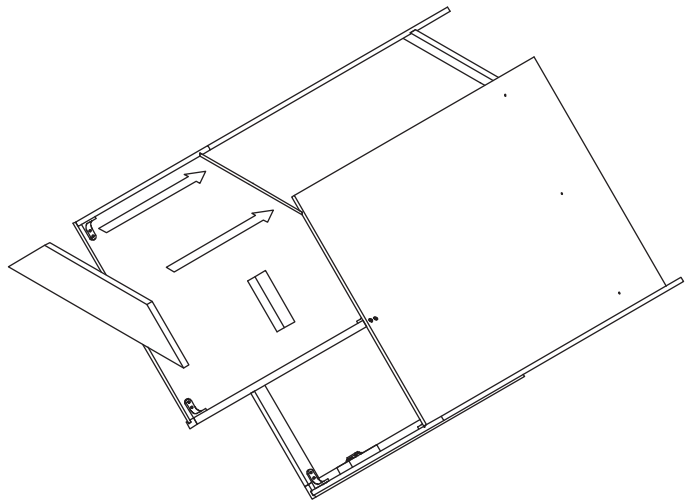
STEP 18



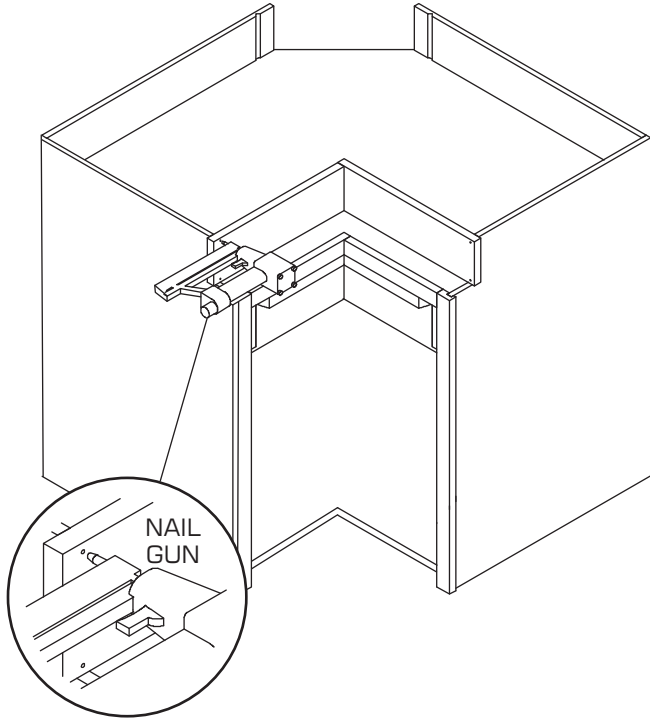
STEP 19



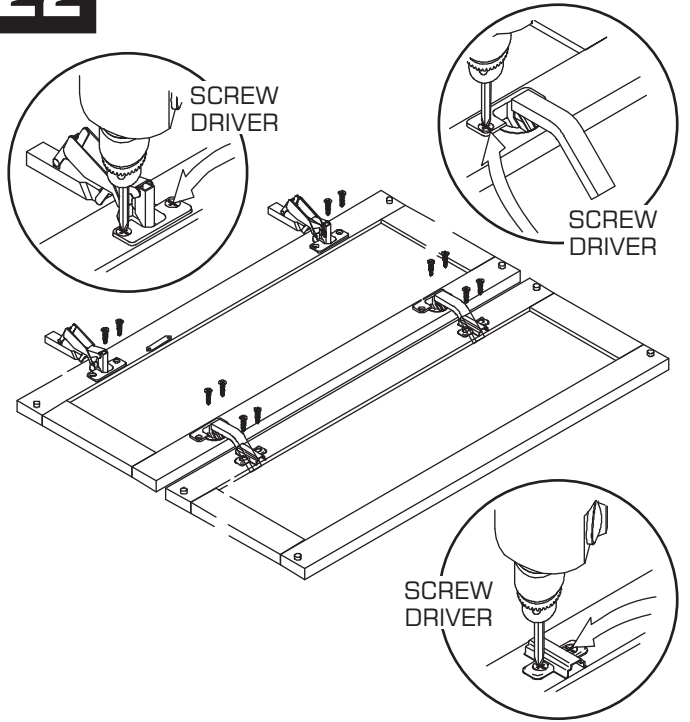
STEP 20



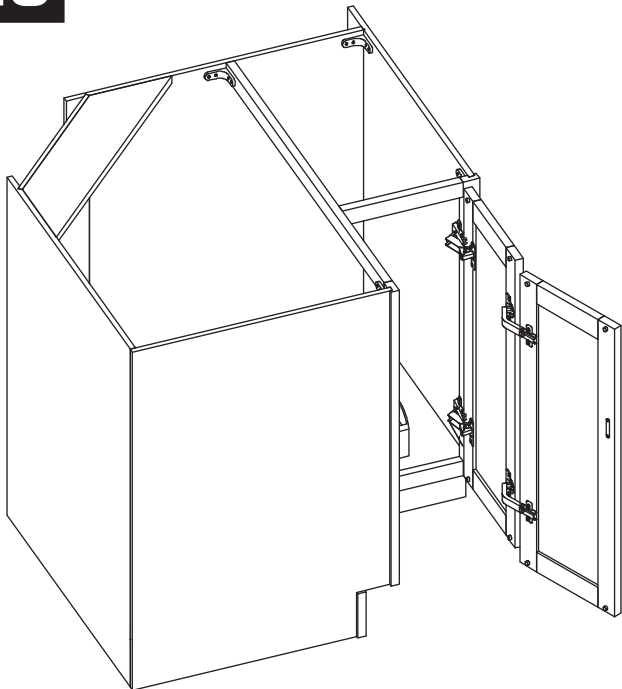
**STEP
21**



**STEP
22**



**STEP
23**



**STEP
24**

