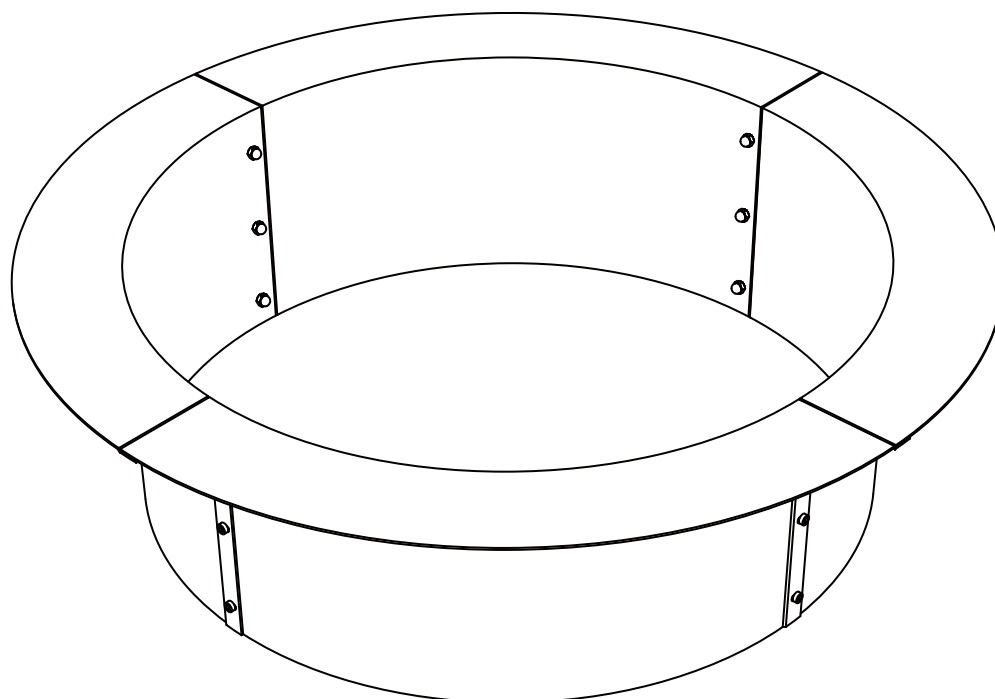


Assembly Instructions

Outdoor Fire Ring



- About installation
- About usage
- About product
- About return
- Others



SAFETY INFORMATION

Please read and understand this entire manual before attempting to assemble, operate or install the product.

WARNING **FOR YOUR SAFETY**

1. Do NOT use this fire ring without reading this entire document and all Warnings, cautions and instructions. Death, serious injury or damage to property may occur if the following is not followed.
2. This item is for outdoor use only, and shall NOT be used in a building, garage or any other enclosed area.
3. Do NOT use this fire ring for indoor heating. TOXIC carbon monoxide fumes can accumulate and cause asphyxiation.
4. This fire ring is NOT for commercial use.
5. This fire ring is NOT to be operated by children.
6. This fire ring is NOT to be used in or on boats or recreational vehicles.
7. Always use in accordance with all applicable local, state and national codes. Contact your local fire department for details on outdoor burning.
8. When using this fire ring, exercise the same precautions you would with any open fire.
9. The use of alcohol, prescription or non-prescription drugs may impair the consumer's ability to properly assemble or safely operate this fire ring.
10. When this fire ring is used with dry, seasoned hardwood, it will burn hotter, more completely.
11. Do NOT burn charcoal briquette, lump charcoal, manufactured logs, driftwood, trash, leaves, papers, cardboard, plywood, painted or stained or pressure treated wood. Avoid using softwoods such as pine or cedar that can throw sparks.
12. Do NOT alter this fire ring in any manner.
13. Do NOT use this fire ring until it is COMPLETELY assembled and all parts are securely fastened and tightened.
14. Do NOT store or use gasoline or other flammable vapors or liquids in the vicinity of this or any other appliance.
15. Do NOT store or use an LP gas cylinder within 10 feet (3.05 m) of this fire ring while it is in operation.
16. Do NOT use this fire ring near automobiles, trucks, vans or recreational vehicles.
17. Do NOT use in an explosive atmosphere. Keep the outdoor area clean and free from combustible materials, gasoline and other flammable liquids.
18. Do NOT use this fire ring under and overhead or near any unprotected combustible constructions. Avoid using near or under overhanging trees and shrubs.
19. Always use this fire ring on a hard level non-combustible surface such as concrete, rock or stone. An asphalt or blacktop surface may not be acceptable for this purpose. Do NOT use on wooden decks.
20. Always empty this fire ring before each use.
21. Do NOT wear flammable or loose clothing when operating this fire ring.
22. Do NOT use in windy conditions.
23. Do NOT use gasoline, kerosene, diesel fuel, or lighter fluid to start a fire or enhance an existing fire.
24. Keep all electrical cords away from a hot fire ring.
25. All surfaces of this fire ring are hot when in operation. To avoid burns, do NOT touch the fire ring until it has completely cooled unless you are wearing protective gear (potholders, gloves, BBQ mittens, hot pads & etc). Never touch ashes or coals to see if they are hot.
26. Do NOT leave a lit fire ring unattended, especially around children and pets.
27. Do NOT attempt to move or store this fire ring until ashes and coals are completely extinguished.
28. Do NOT remove ashes or coals until they are completely and extinguished.
29. Use heat-resistant gloves or hot pads when contacting handles.
30. Use long, sturdy fire tools when adding or moving logs.
31. Do NOT overload the fire ring. Do NOT add additional firewood until the fire burns down.
32. Do NOT lean over this fire ring when lighting or when in use.



SAFETY INFORMATION

33. This fire ring should be thoroughly inspected and cleaned on a regular basis.
34. After a period of storage and/or non-use, check for signs of damage and creosote build-up. Do NOT operate until necessary repairs and/or clean-up are executed.

LIGHTING

1. Remove old ash or coals before continuing.
2. Place dry kindling or a natural fire starter in the center of the fire pit.
3. Stack dry and seasoned hardwood around and over the kindling. (Avoid hardwood longer than 18 inches.)
4. Light the kindling or fire starter using a long match.

TENDING THE FIRE

Do NOT use gasoline, kerosene, diesel fuel, lighter fluid or alcohol.

Do NOT place hot tools onto combustible surfaces, such as grass or wooden furniture.

Wear heat-resistant gloves when tending the fire or fire pit. Avoid touching hot surfaces.

Use a long-handled fireplace tool (tongs or poker) to shift logs as needed for complete burning.

Do NOT add additional wood until embers have developed.

To add wood, gently place it onto the embers.

EXTINGUISHING THE FIRE

Allow the fire to burn out. Spread wood/coals/embers apart to help it burn out quicker.

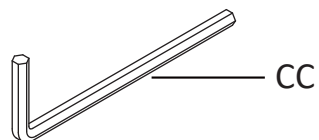
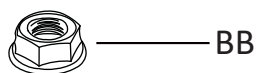
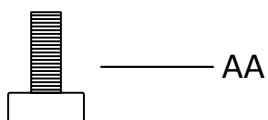
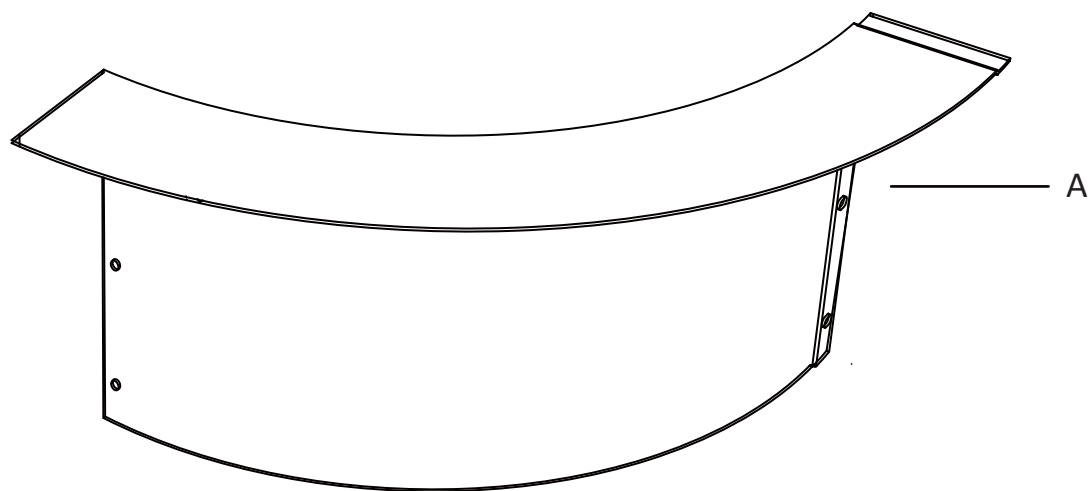
Do NOT leave the fire unattended.

DO NOT use water to extinguish a fire. Doing so could result in injury or damage to the fire pit.



WARNING: FUELS USED IN WOOD OR CHARCOAL BURNING APPLIANCES, AND THE PRODUCTS COMBUSTION OF SUCH FUELS, CAN EXPOSE YOU TO CHEMICALS INCLUDING CARBON BLACK, WHICH IS KNOWN TO THE STATE OF CALIFORNIA TO CAUSE CANCER, AND CARBON MONOXIDE, WHICH IS KNOWN TO THE STATE OF CALIFORNIA TO CAUSE BIRTH DEFECTS OR OTHER REPRODUCTIVE HARM. For more information go to: www.P65Warnings.ca.gov.

PART LIST



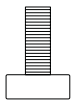
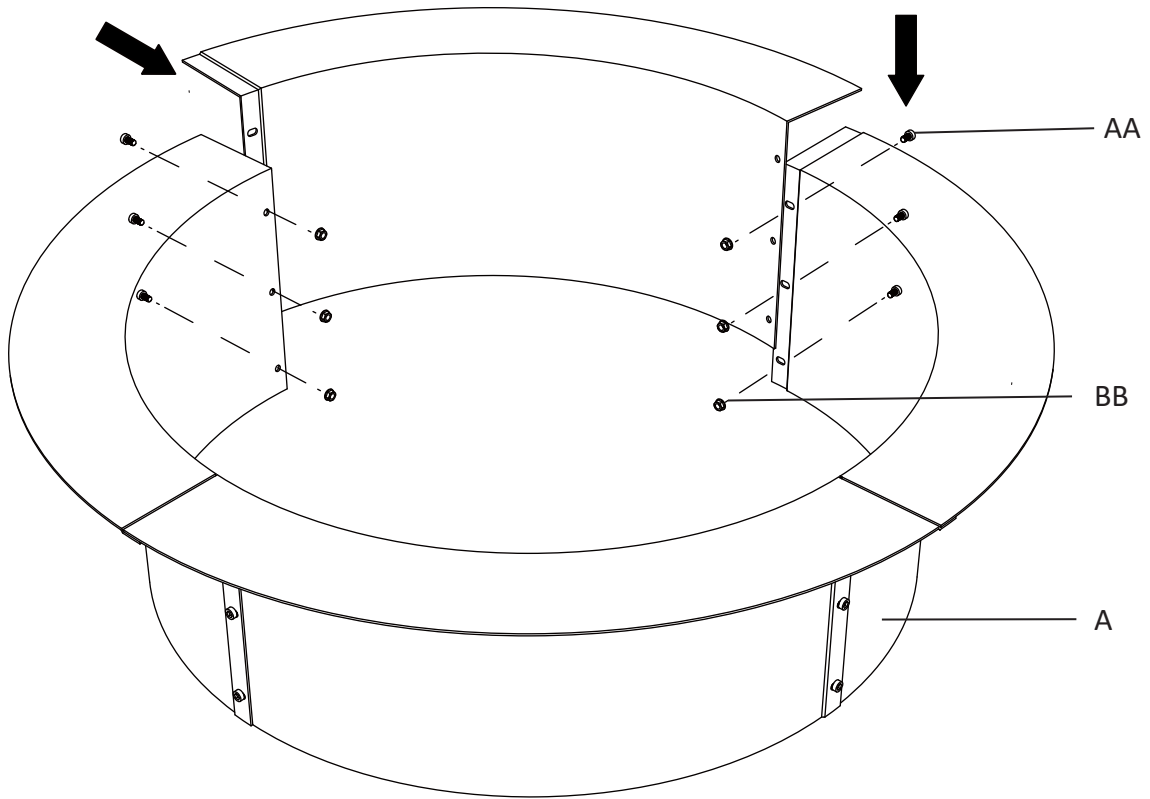
No.	PARTS	Qty
A	Side Panel	4

No.	Hardware	Qty
AA	M6 x 12 mm Bolt	12
BB	M6 Nut	12
CC	Tool	1

ASSEMBLY INSTRUCTIONS

NOTE: Assemble the fire ring on a non-abrasive surface. Wear gloves during assembly.

Step 1: Attach the side panels (A) together with M6 x 12 mm bolts (AA) and M6 nut (BB).



AA x 12



BB x 12

MAINTENANCE

MAINTENANCE

To ensure product safety and prolonged product life, thoroughly clean the fire ring after each use. Inspect for any damage (repair if needed). Store the fire ring in a dry place or cover to keep water out.

Allow the fire ring to completely cool before attempting to clean or perform maintenance.

Do not clean any part of the fire ring with abrasive chemicals or oven spray.

CLEANING

Mix warm water with mild dish washing detergent. Using a soft cloth, wipe the fire ring with the cleaning mixture. A nylon brush might be required to remove some stains (or use a citrus based degreaser).

Rinse thoroughly and dry with a soft towel.

INSPECTING

Check that all hardware is tight.

Look for damage or rust on the fire ring. Repair all damage before using the fire ring again.

If rust is found, remove the rust and spray over using a high temperature black paint.

Once the fire is out and the fire ring has completely cooled, remove and properly dispose of ash.

Store the fire ring in a safe, dry place, out of reach from children and pets.

For prolonged life, keep the fire ring covered and dry.

Welcome to share any pictures or videos about this fire pit!