

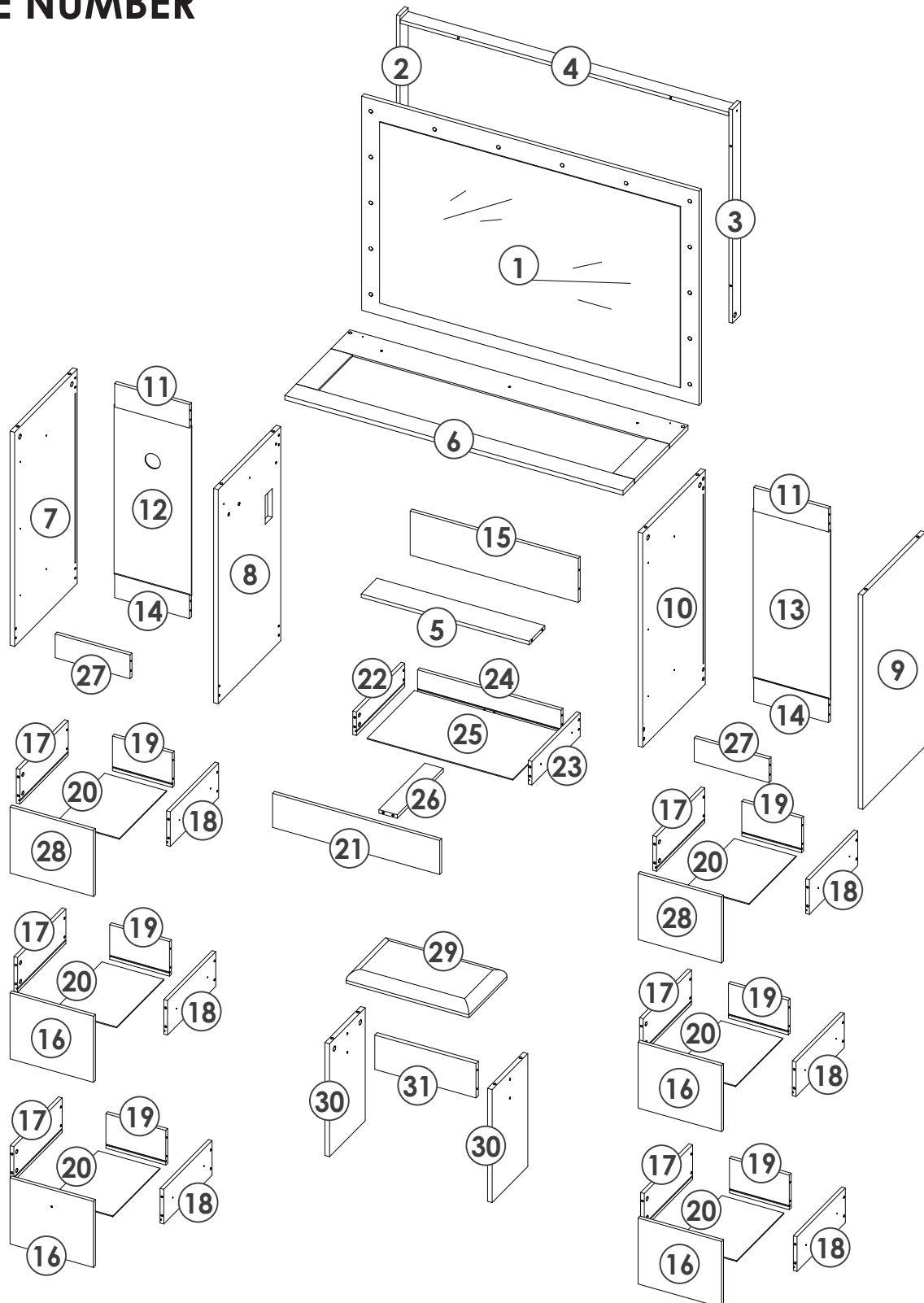
USER MANUAL



INTRODUCTION

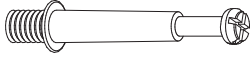

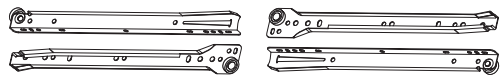
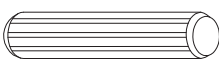
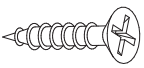


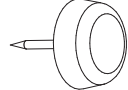
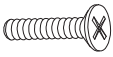





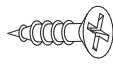
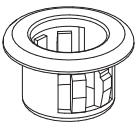
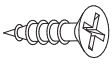
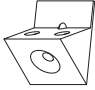
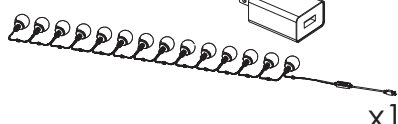
Thank you very much for choosing our makeup vanity. Please read the instruction carefully before assembly and keep it for future reference. If you need further assistance on assembly, please contact our customer service through email.

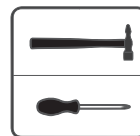
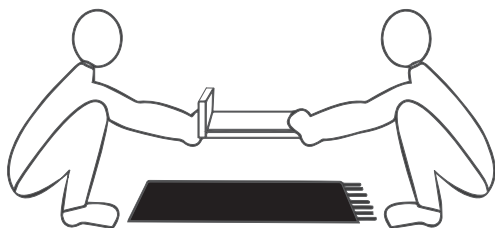
PLATE NUMBER



PARTS LIST

Unit: (mm)

A 6*35  x52pc	B 15*10  x52pc	C = CL+CR+DL+DR 12 inches  x7pc	
D 6*40  x4pc	E M3.5*14  x31pc	F M5*40/#3   x65 / x1 pc	
G Ø12*5  x12pc	H M4*16   x7 / x7 pc	J  x1pc	K 3mm  x1pc
L 21mm  x58pc	M  x1pc		N M3*12  x28pc
O Ø13  x2pc	P M3*14   x12 / x12 pc		Q LED  x1pc

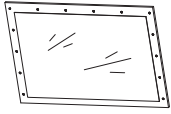




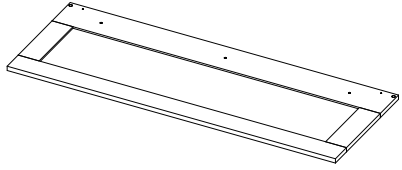
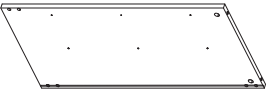



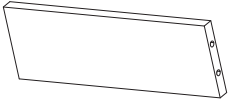


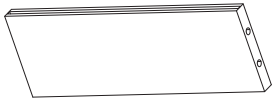



TIPS

1. When installing the product, use a soft underlay (such as carpet or cardboard) to avoid scratching or damaging the surface of the product.
2. Don't tighten screws completely at first, just in case parts were assembled wrong and need disassemble. Tighten screws at last when all parts are put together.
3. The structure of this product can not meet the requirements of the placement of heavy items and children climbing.

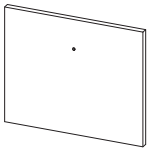
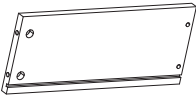



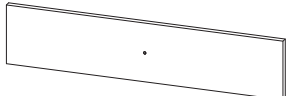


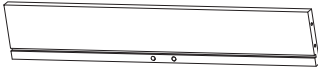
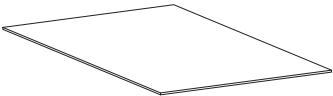

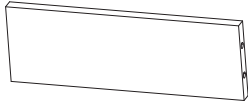
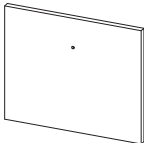
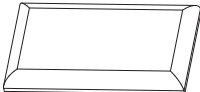
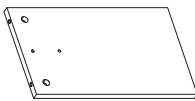

Unit: (mm)

PARTS LIST

<p>①</p>  <p>x1 pc</p>	<p>②</p>  <p>x1 pc</p>	<p>③</p>  <p>x1 pc</p>
<p>④</p>  <p>x1 pc</p>	<p>⑤</p>  <p>x1 pc</p>	<p>⑥</p>  <p>x1 pc</p>
<p>⑦</p>  <p>x1 pc</p>	<p>⑧</p>  <p>x1 pc</p>	<p>⑨</p>  <p>x1 pc</p>
<p>⑩</p>  <p>x1 pc</p>	<p>⑪</p>  <p>x2 pc</p>	<p>⑫</p>  <p>x1 pc</p>
<p>⑬</p>  <p>x1 pc</p>	<p>⑭</p>  <p>x2 pc</p>	<p>⑮</p>  <p>x1 pc</p>

Unit: (mm)

PARTS LIST

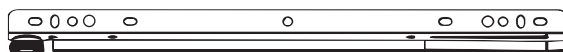
<p>16</p>  <p>x4 pc</p>	<p>17</p>  <p>x6 pc</p>	<p>18</p>  <p>x6 pc</p>
<p>19</p>  <p>x6 pc</p>	<p>20</p>  <p>x6 pc</p>	<p>21</p>  <p>x1 pc</p>
<p>22</p>  <p>x1 pc</p>	<p>23</p>  <p>x1 pc</p>	<p>24</p>  <p>x1 pc</p>
<p>25</p>  <p>x1 pc</p>	<p>26</p>  <p>x1 pc</p>	<p>27</p>  <p>x2pc</p>
<p>28</p>  <p>x2 pc</p>	<p>29</p>  <p>x1 pc</p>	<p>30</p>  <p>x2 pc</p> <p>31</p>  <p>x1 pc</p>

INSTALLATION INSTRUCTION

CR



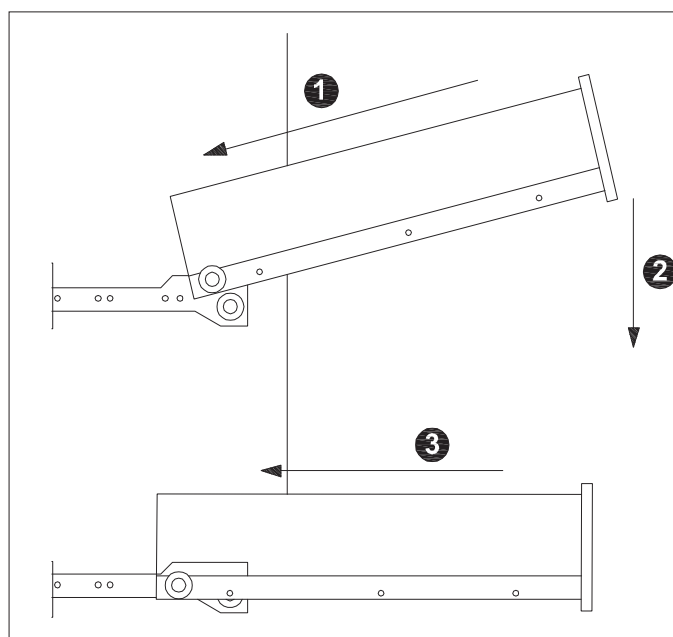
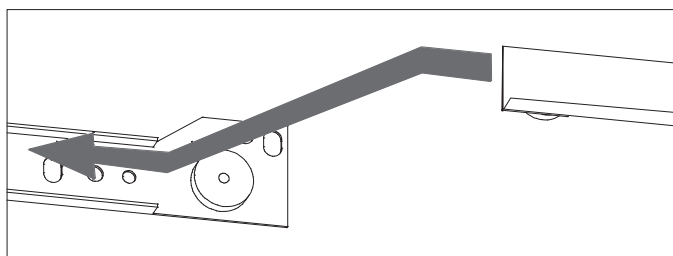
DR



CL



DL



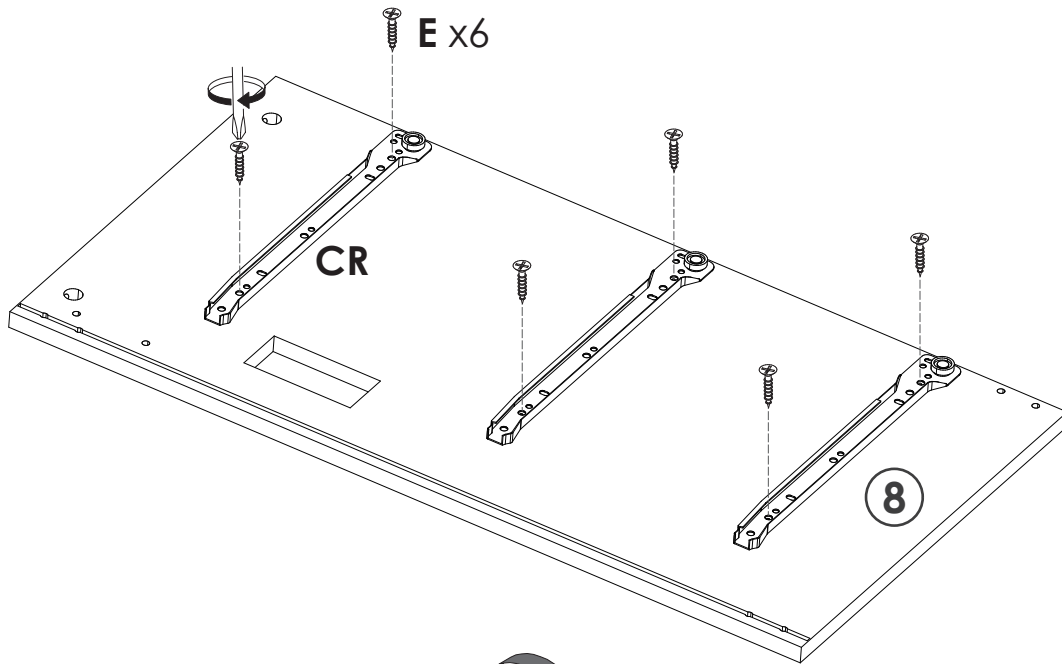
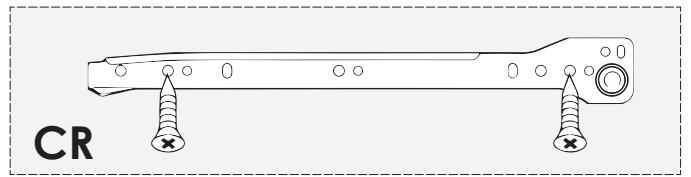
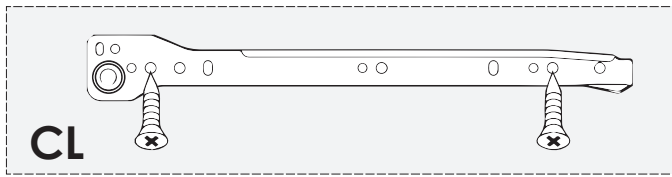
1

YOU WILL NEED

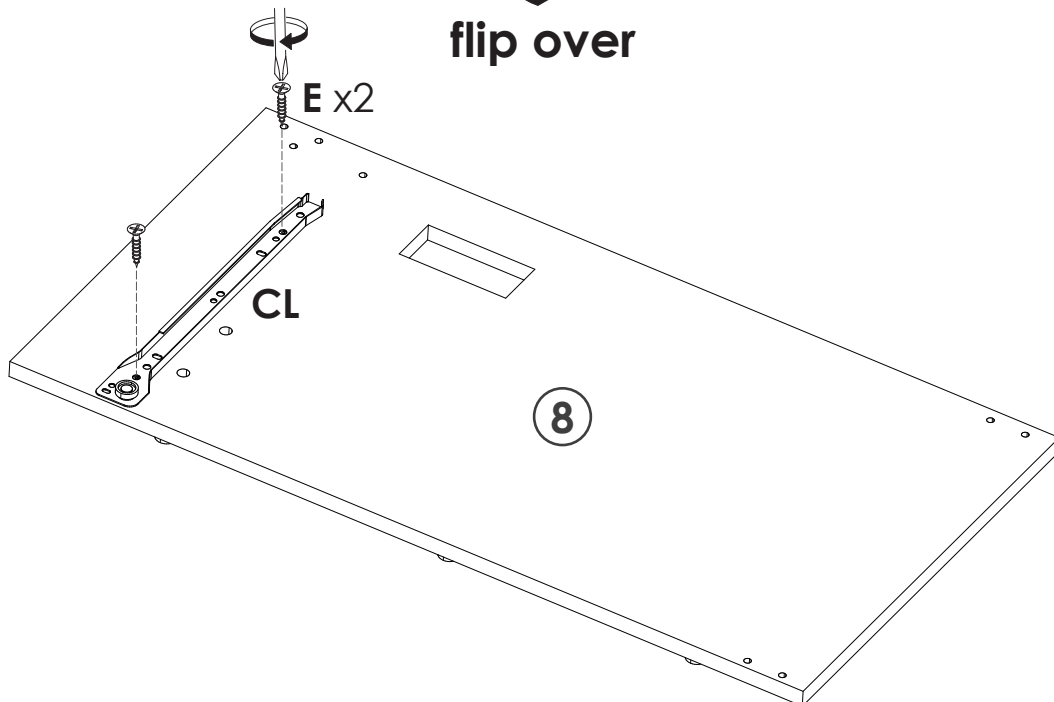
CL x1

CR x3

E x8



flip over



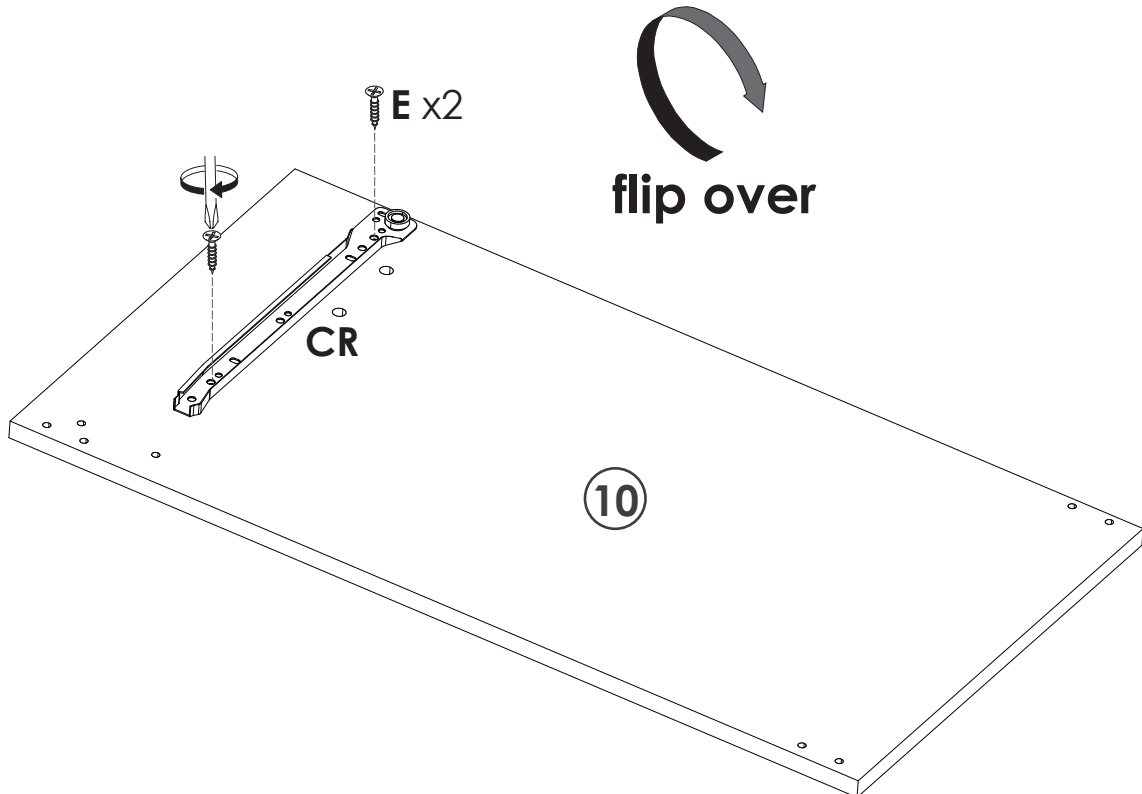
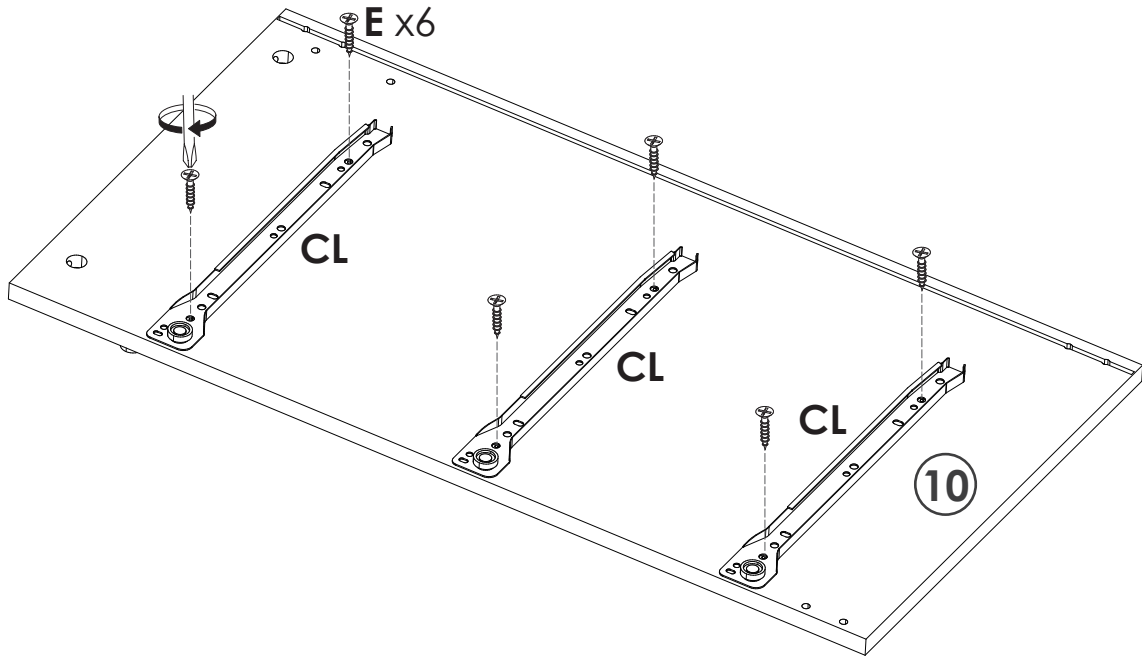
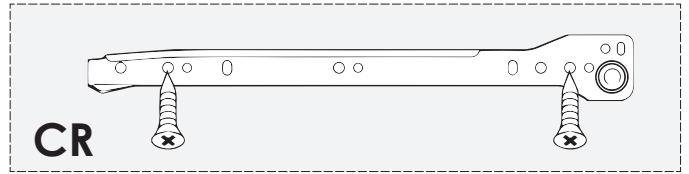
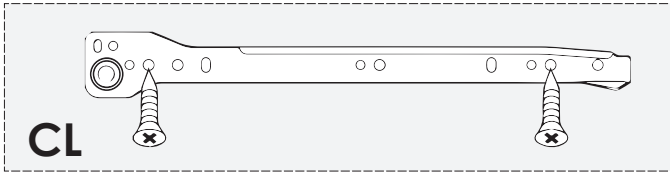
2

YOU WILL NEED

CL x3

CR x1

E x8



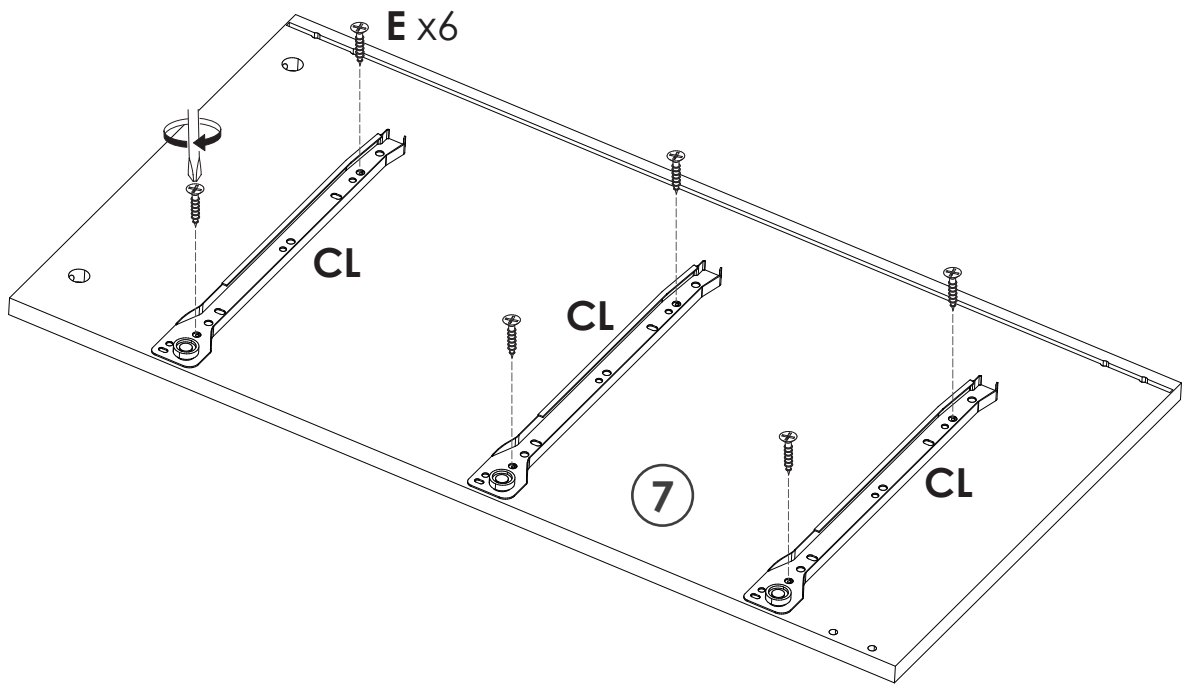
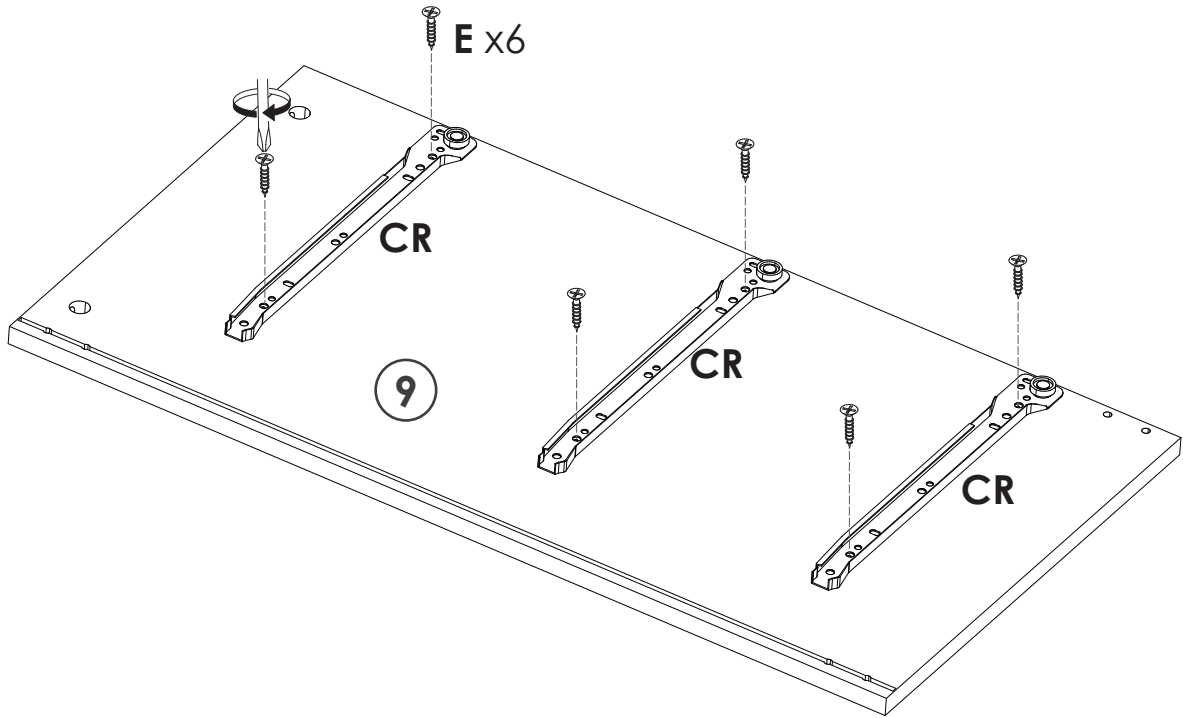
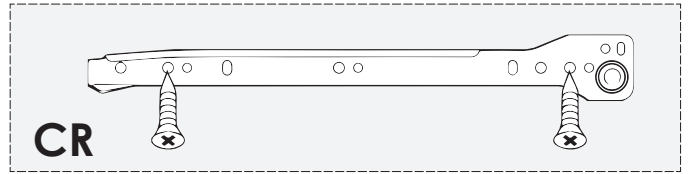
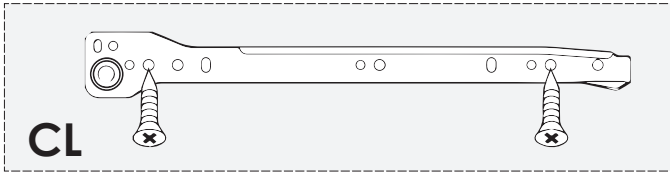
3

YOU WILL NEED

CL x3

CR x3

E x12



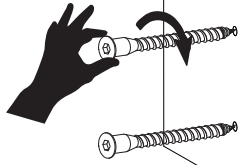
4

YOU WILL NEED

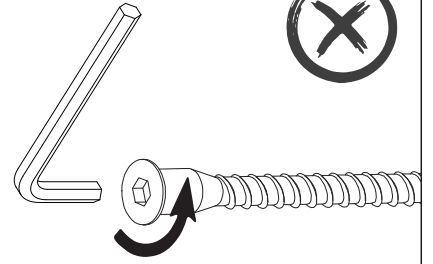
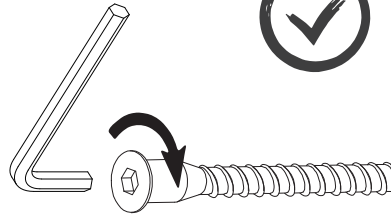
F x12

S x1

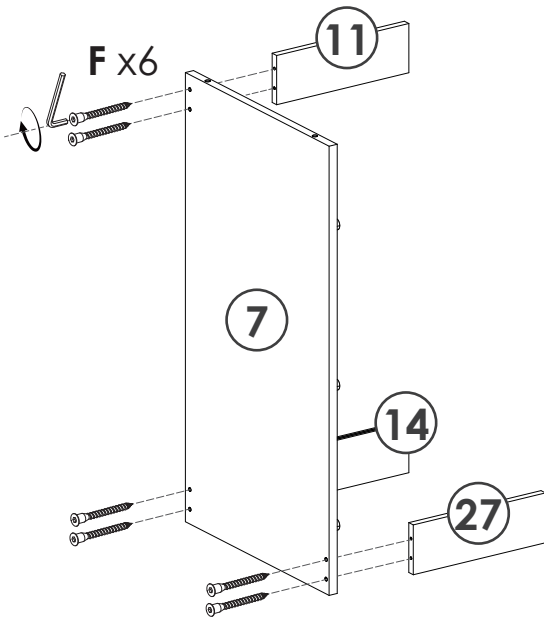
1



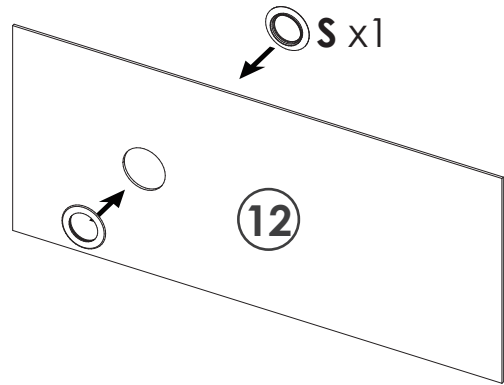
2



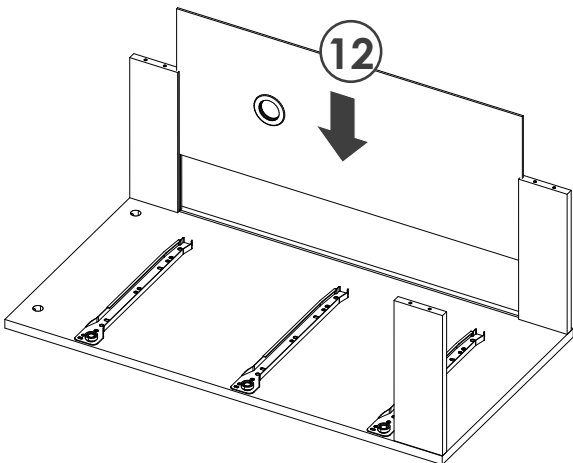
1



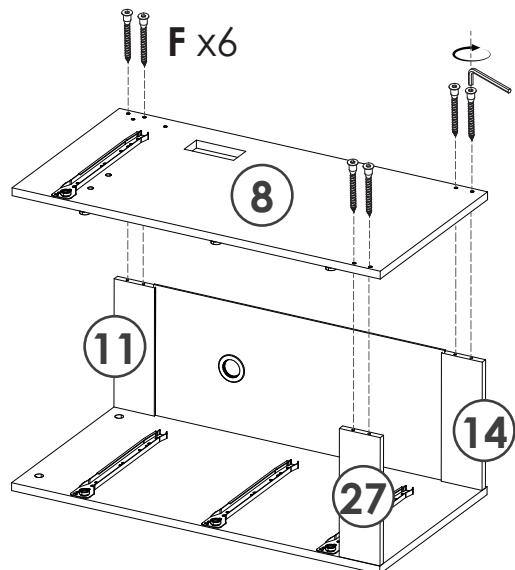
2



3



4

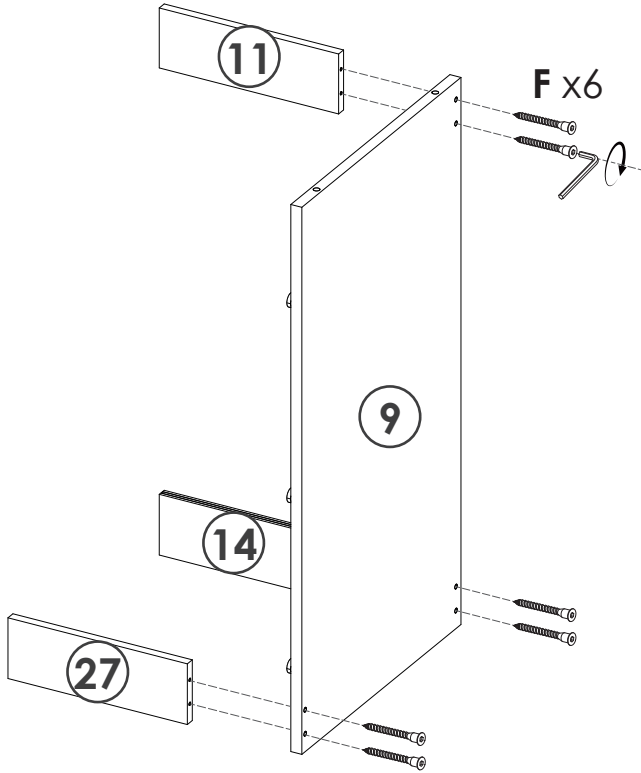


5

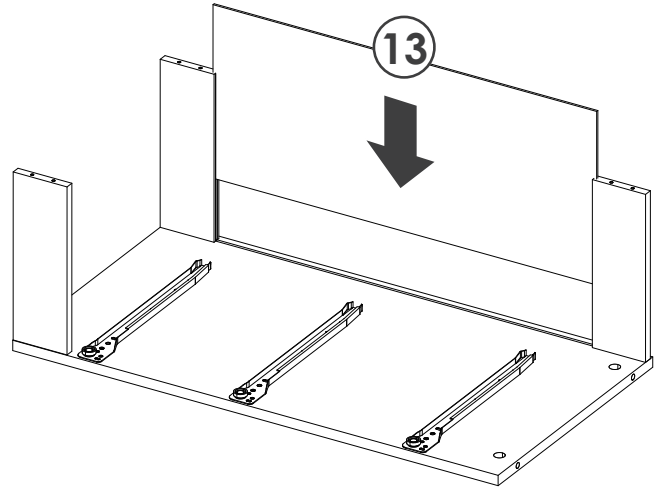
YOU WILL NEED

F x12

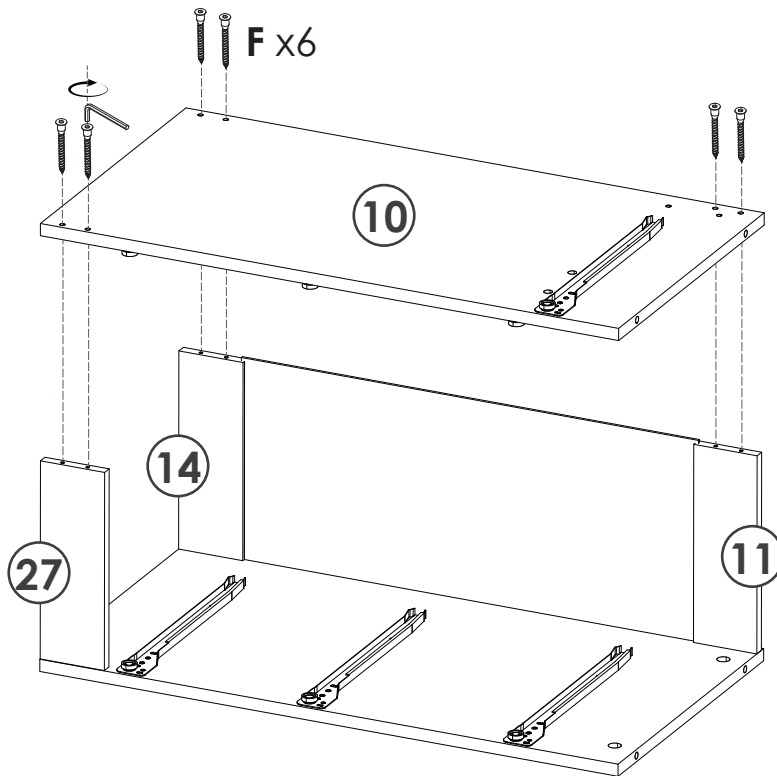
1



2



3



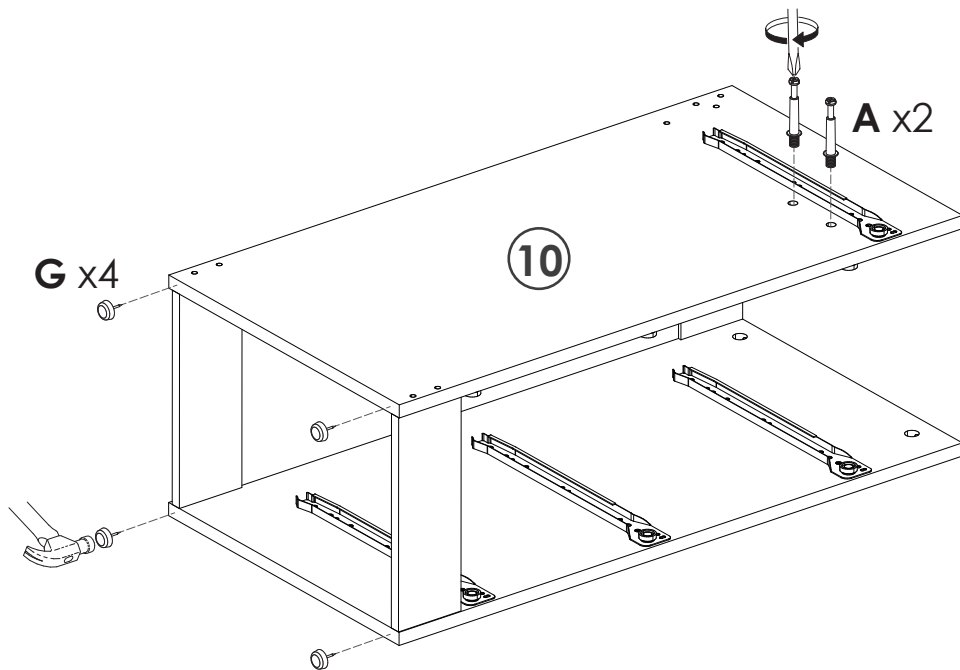
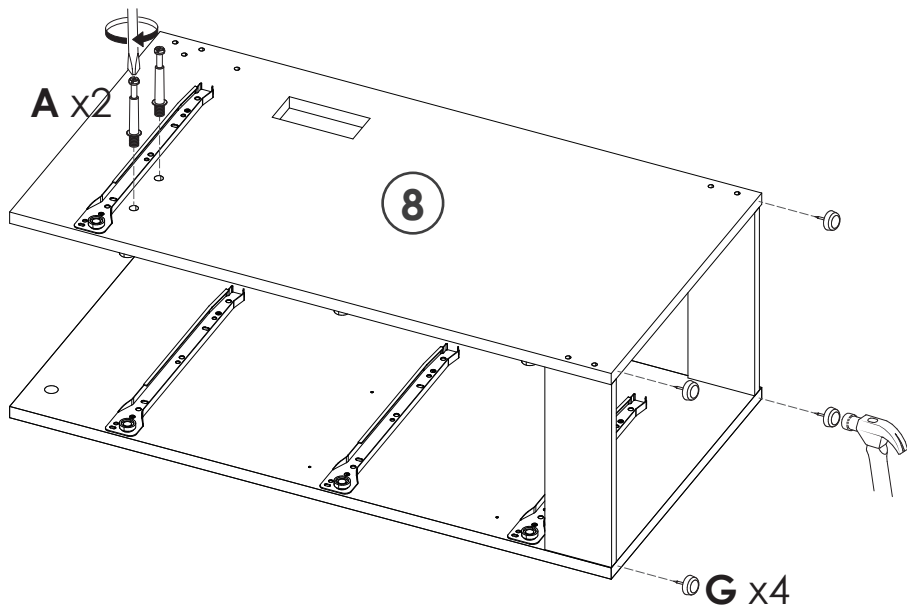
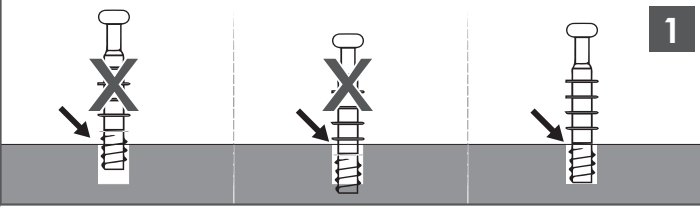
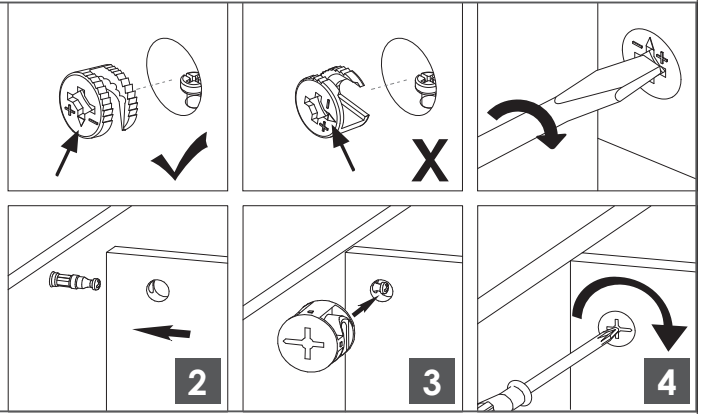
6

YOU WILL NEED

A x4

G x8

Installation method of three
in one rod and buckle

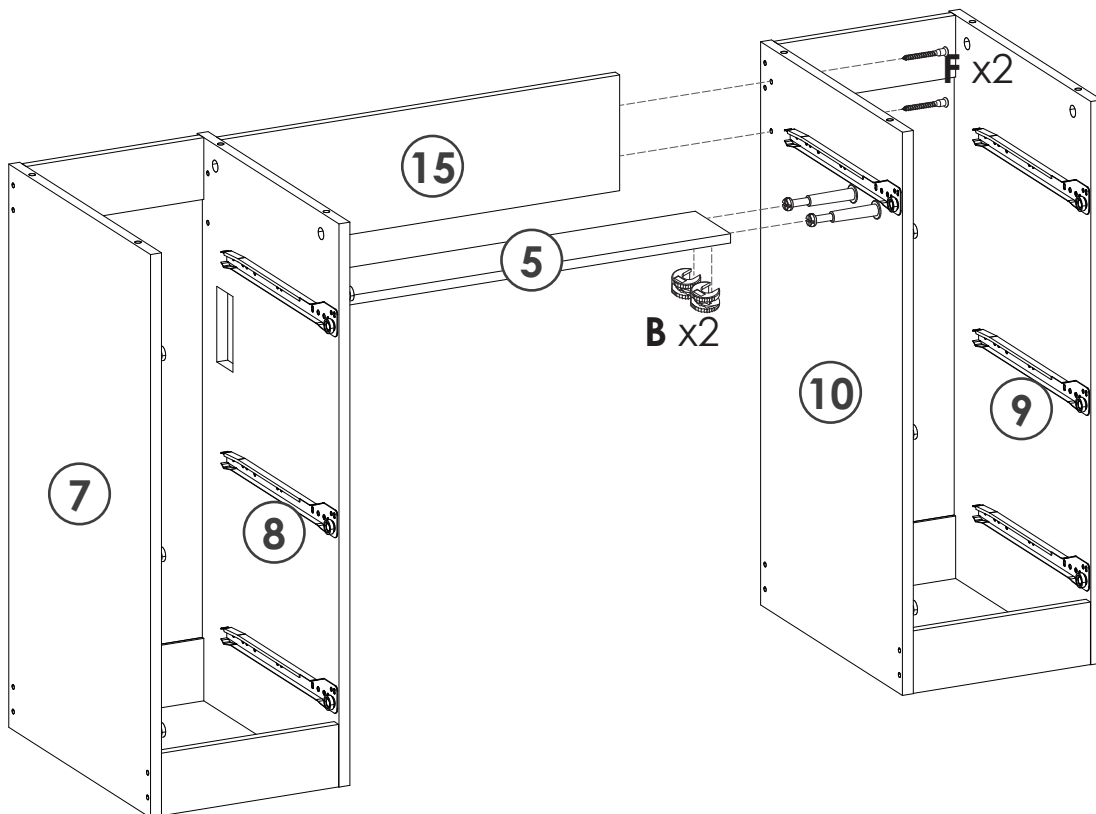
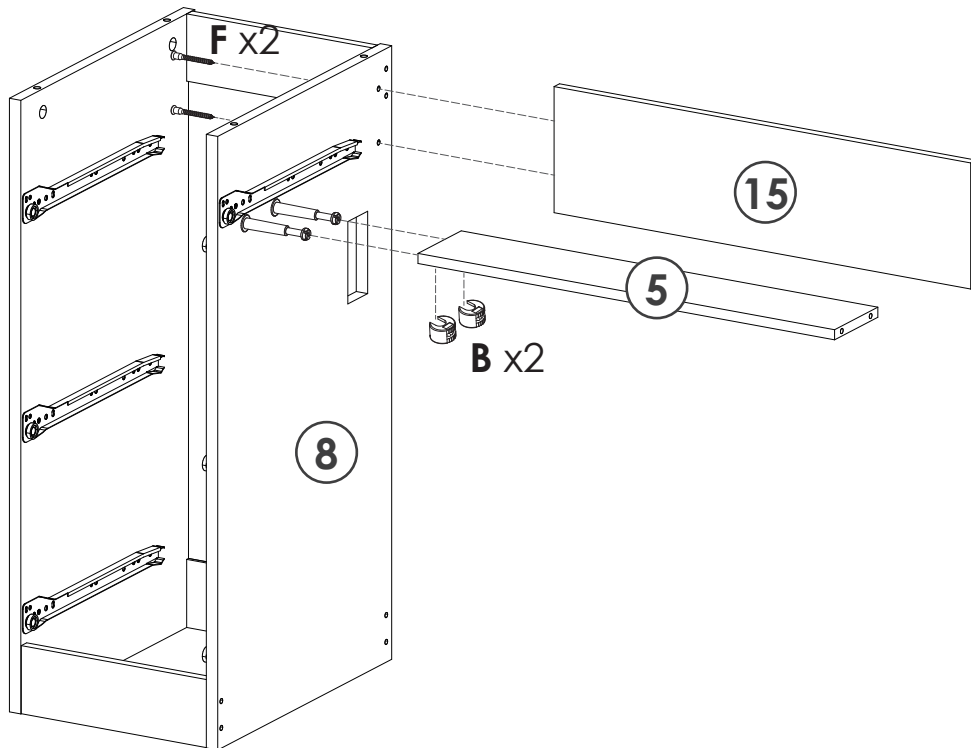


7

YOU WILL NEED

B x4

F x4



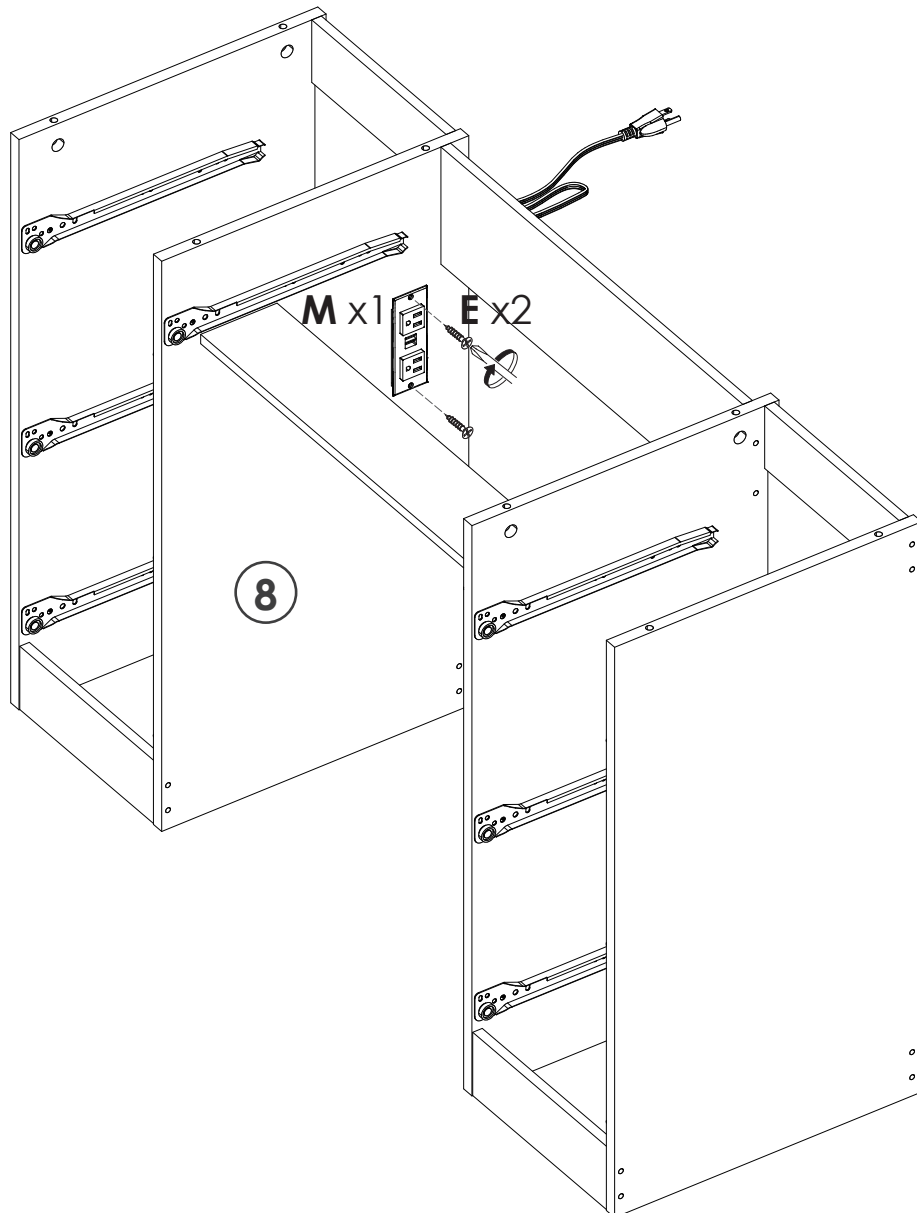
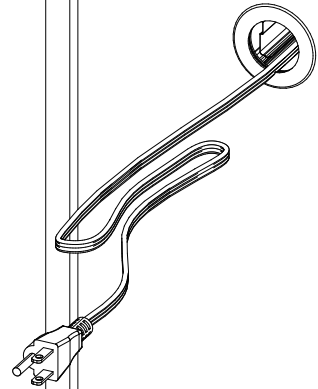
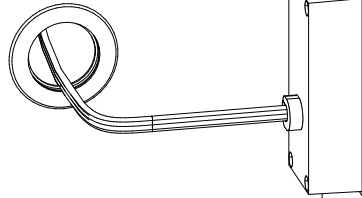
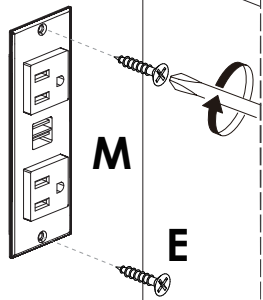
8

YOU WILL NEED

E x2

M x1

8

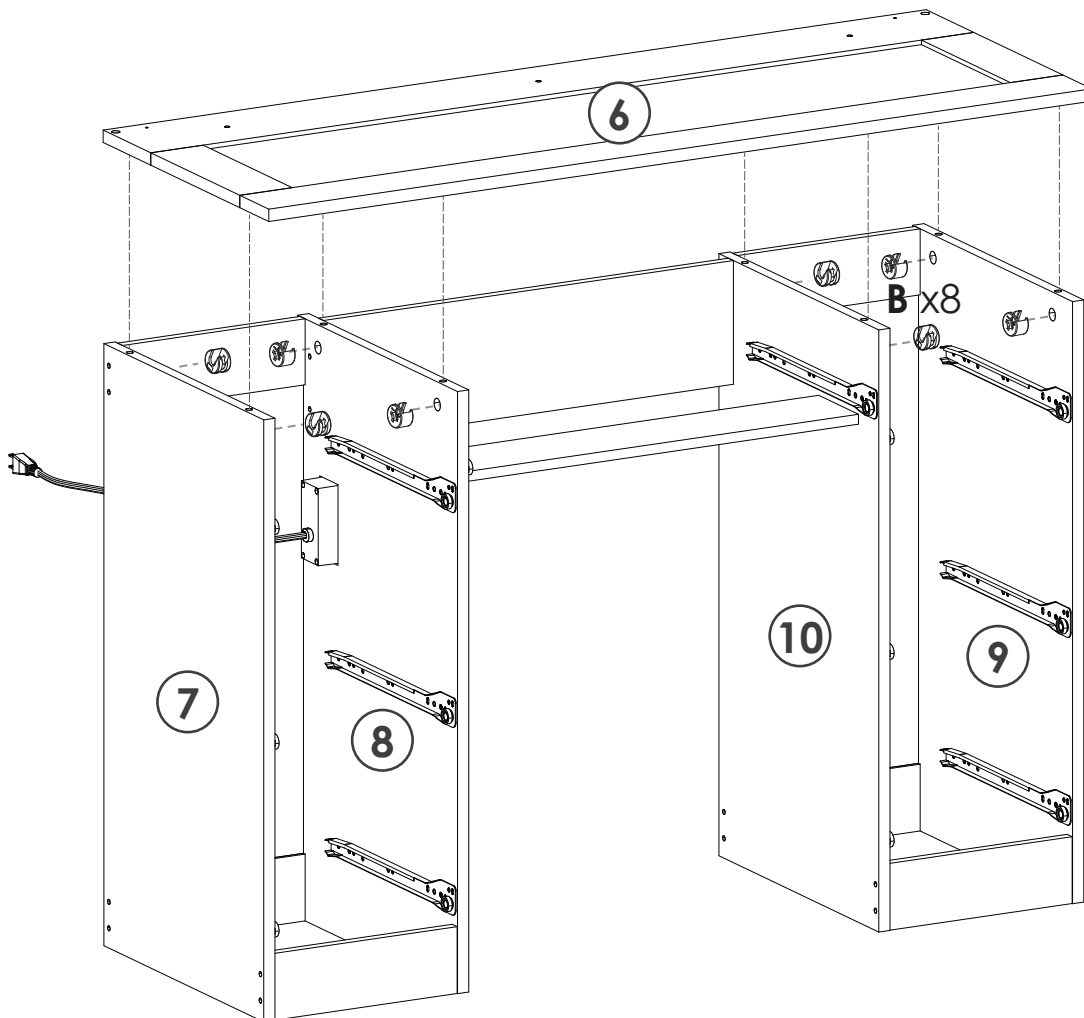
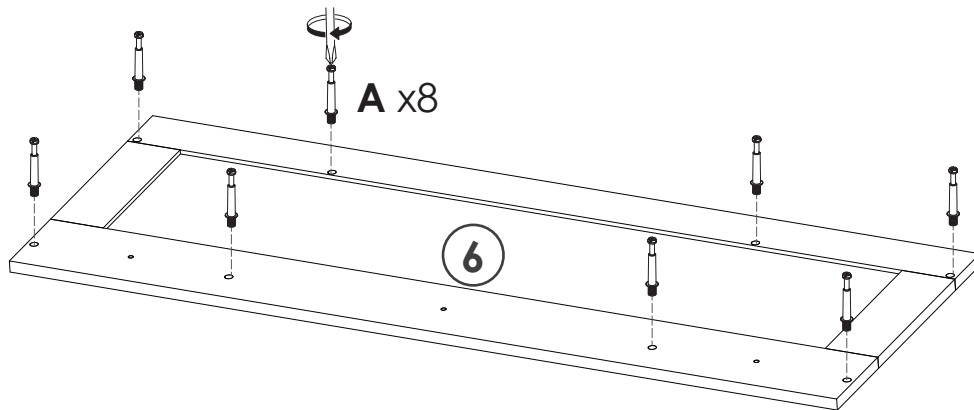


9

YOU WILL NEED

A x8

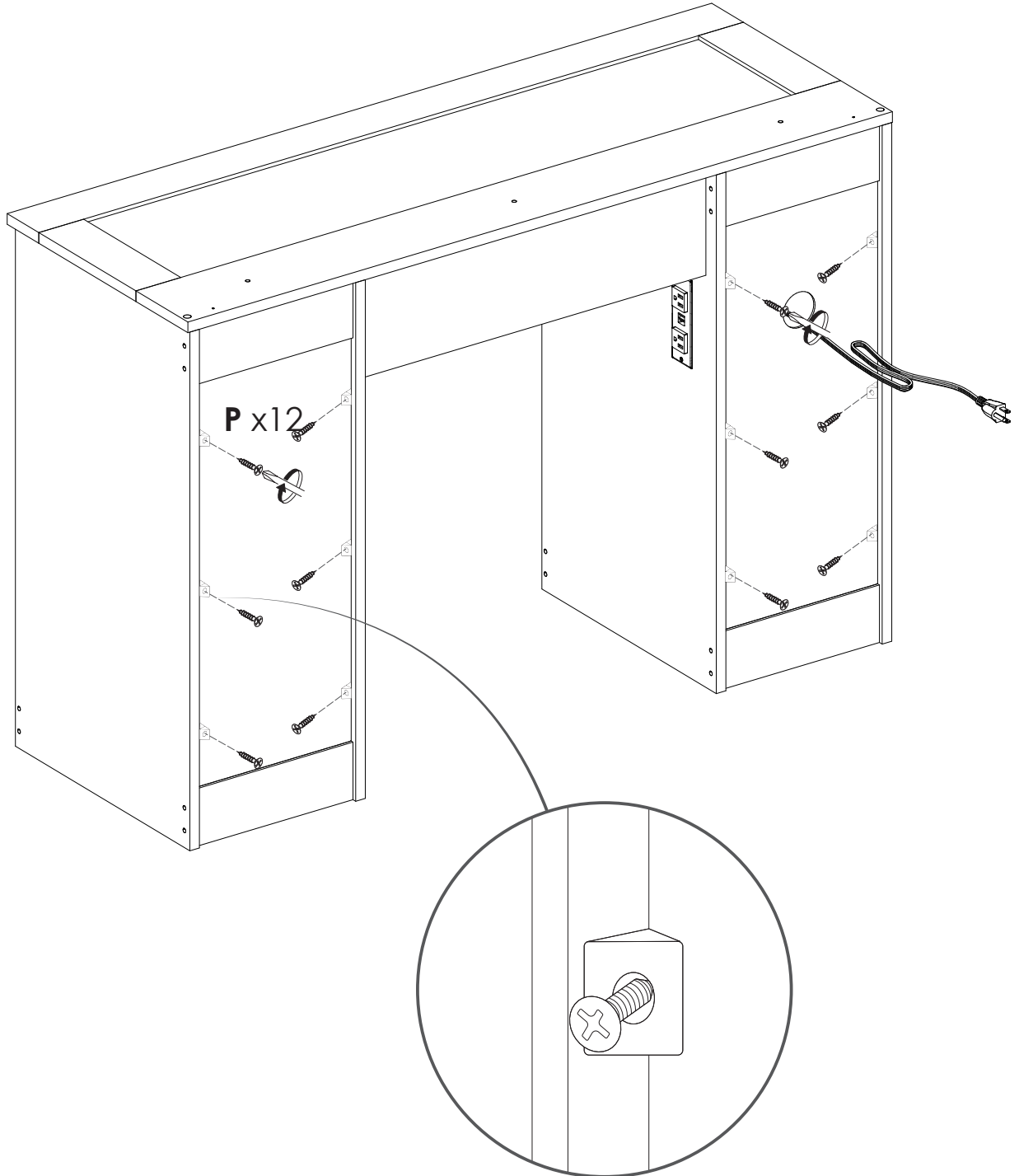
B x8



10

YOU WILL NEED

P x12



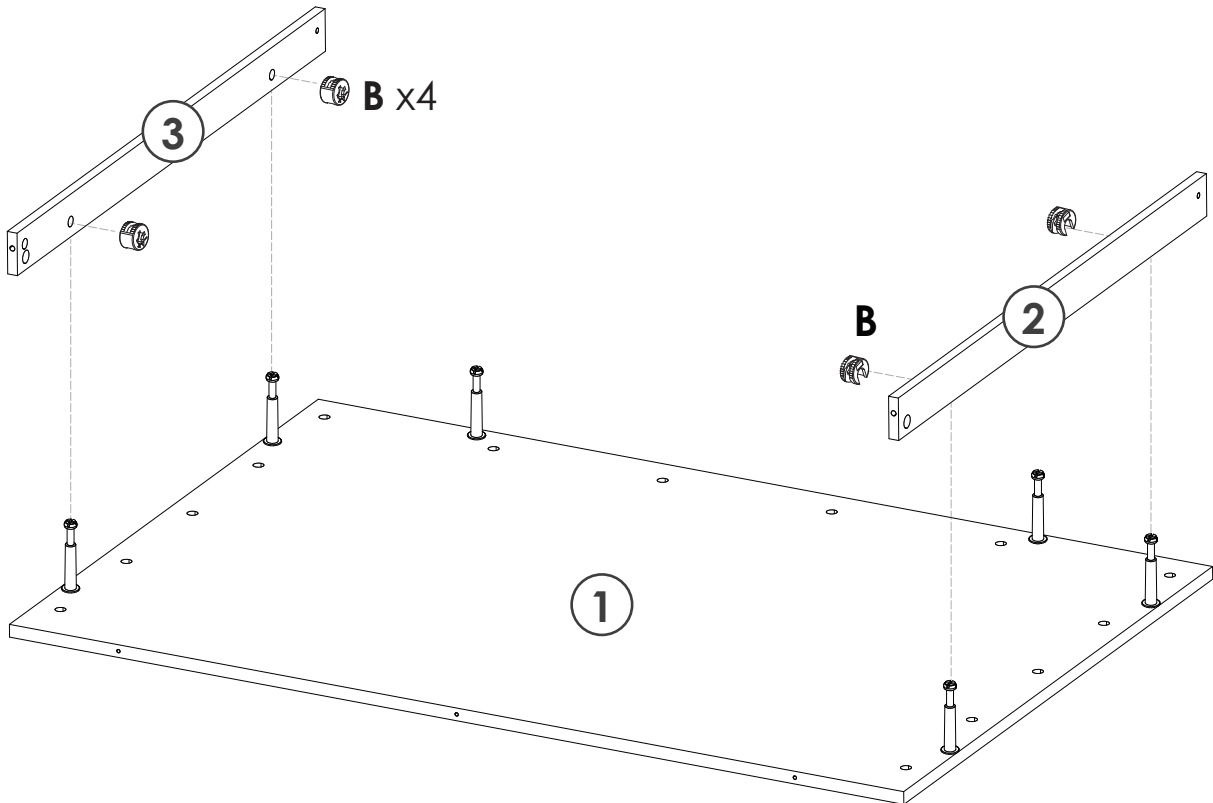
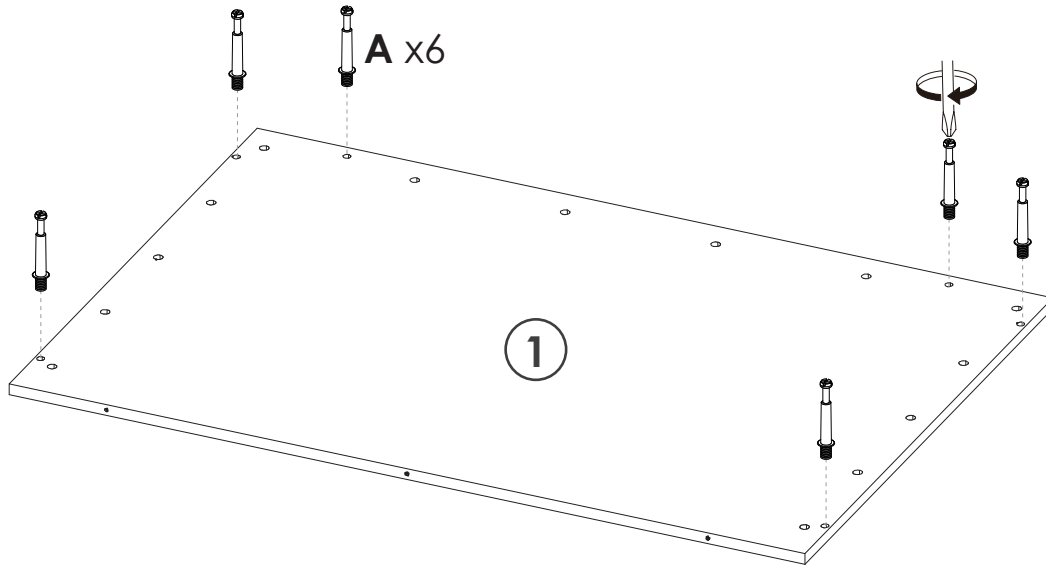
11

YOU WILL NEED

A x6

B x4

Please place the mirror on a soft mat to avoid scratches.

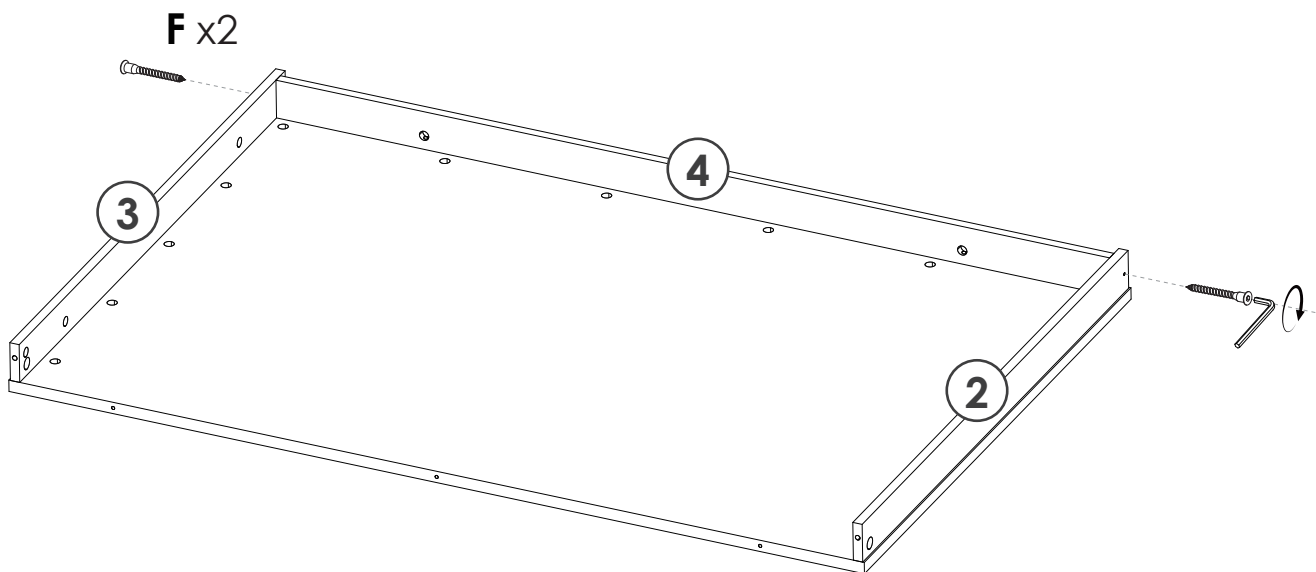
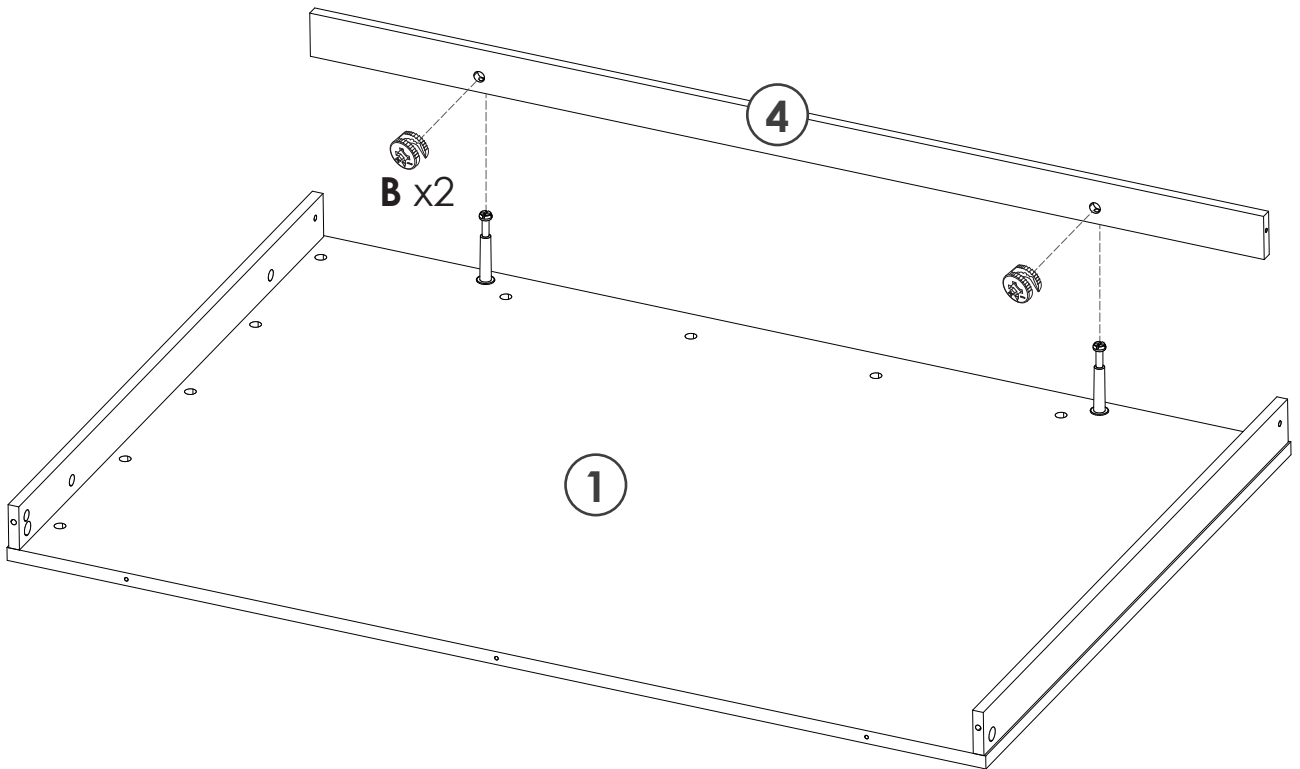


12

YOU WILL NEED

B x2

F x2

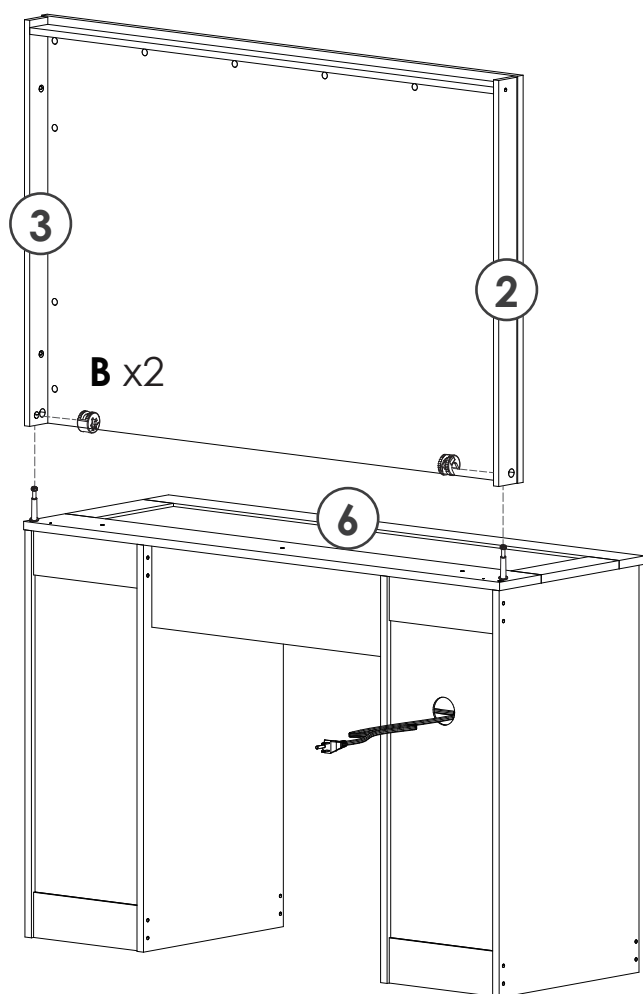
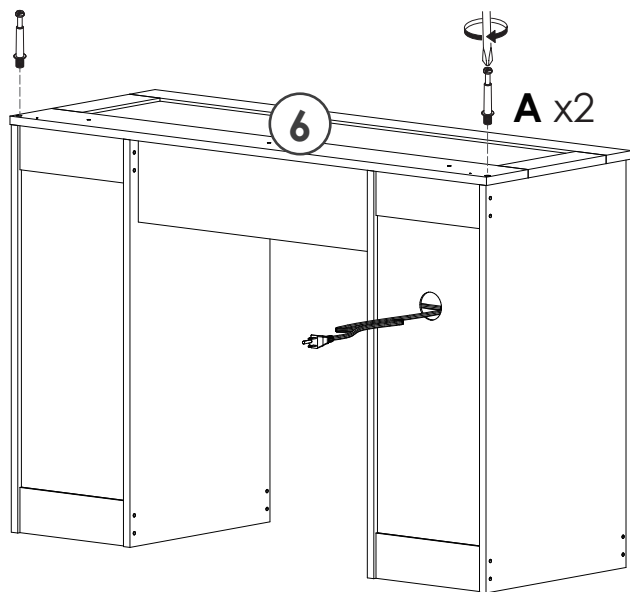


13

YOU WILL NEED

A x2

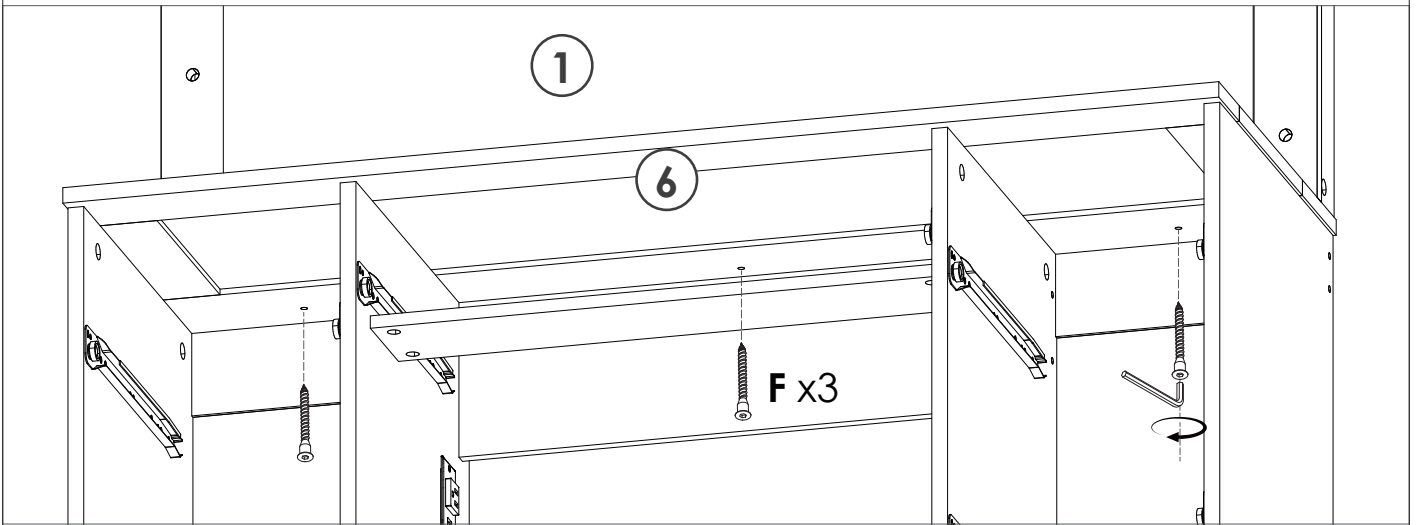
B x2



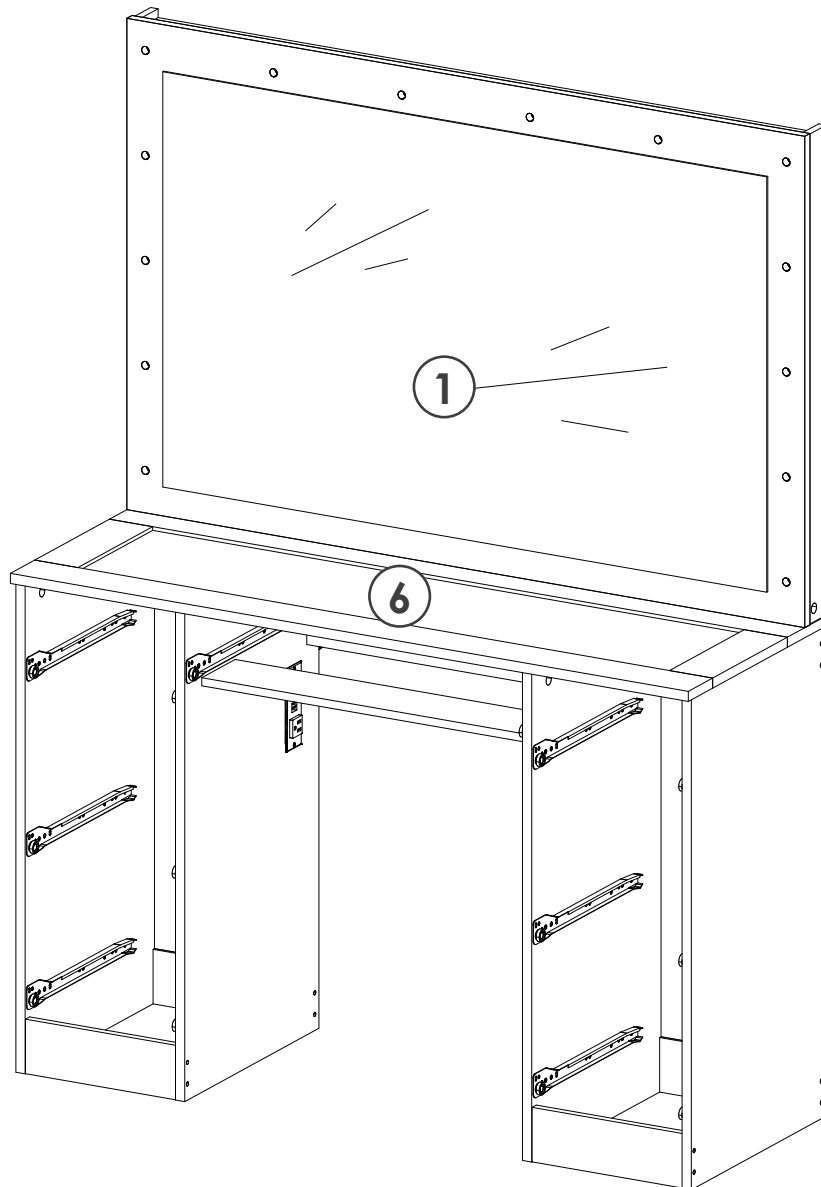
14

YOU WILL NEED

F x3



View from below



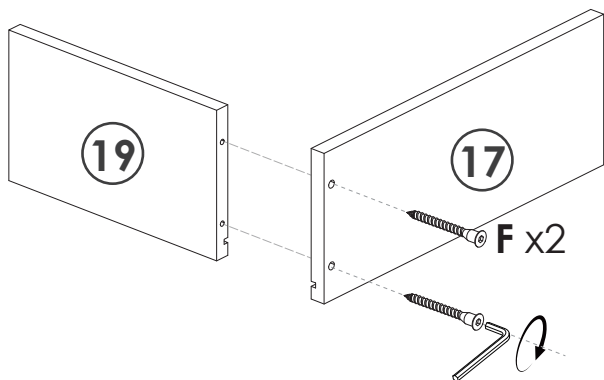
15

YOU WILL NEED

A x24

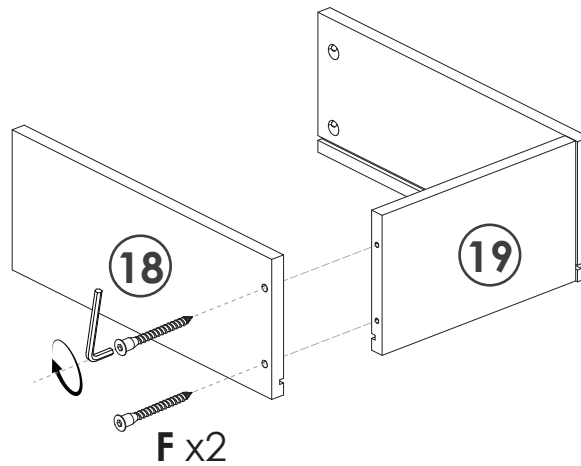
F x24

1



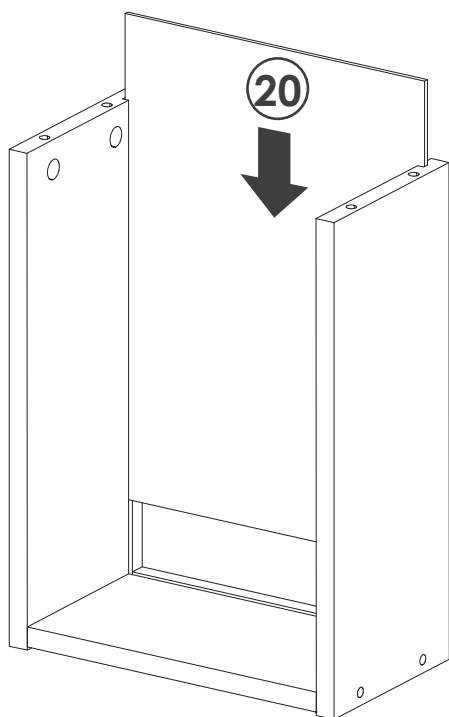
x6

2



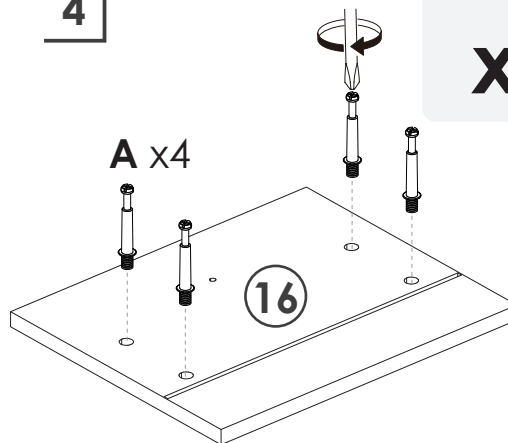
x6

3

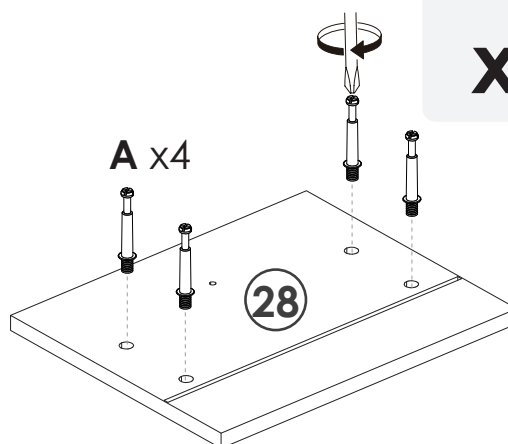


x6

4



x4



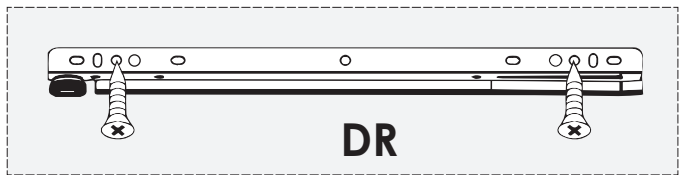
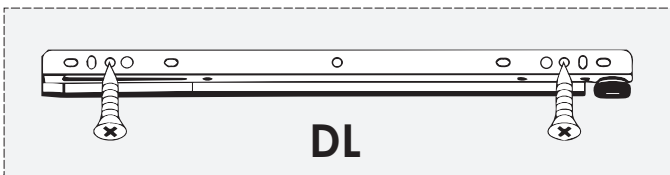
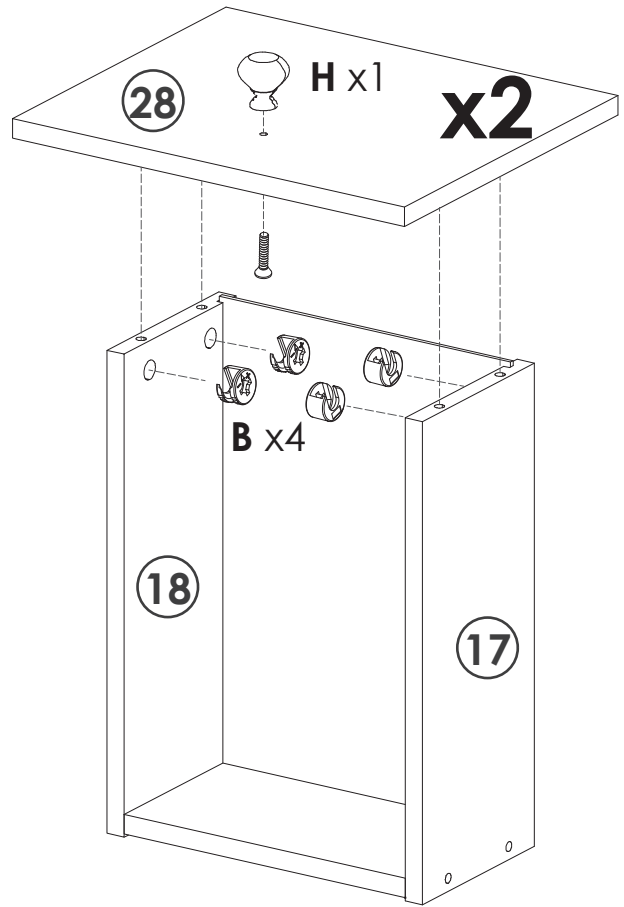
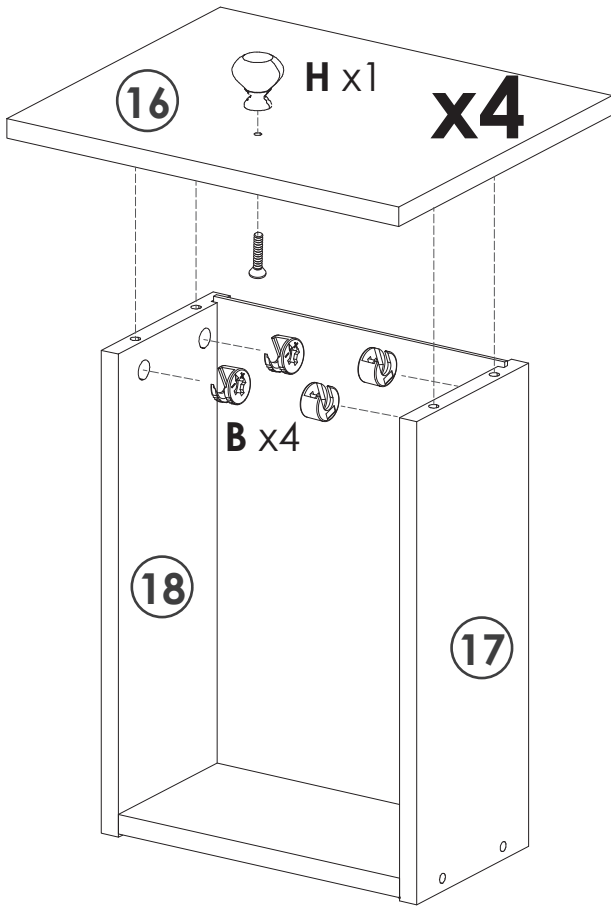
x2

16

YOU WILL NEED

B x24

H x6

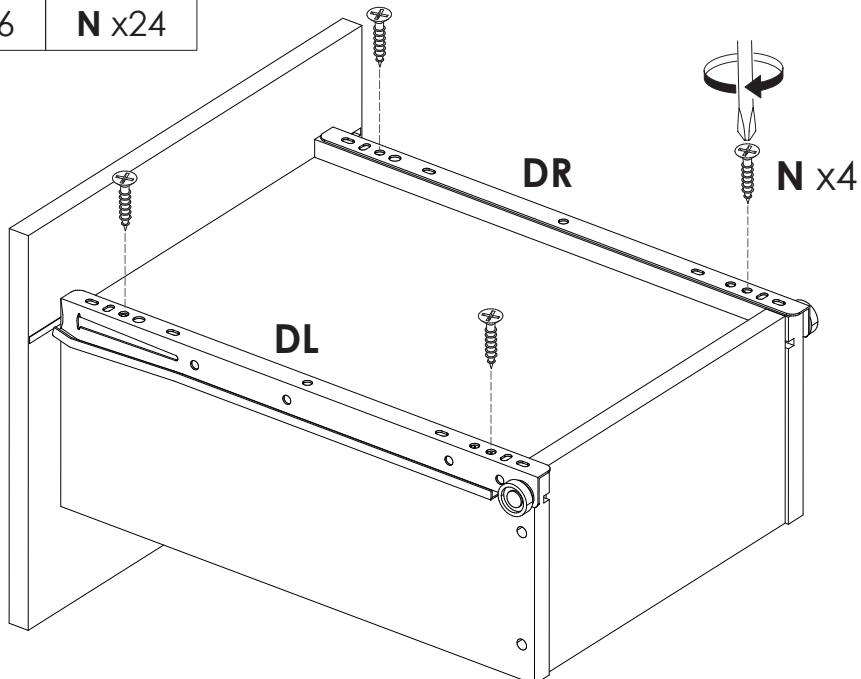


YOU WILL NEED

DL x6

DR x6

N x24



x6

17

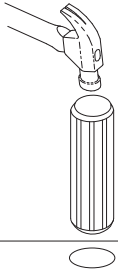
YOU WILL NEED

A x4

D x4

F x4

1



2



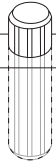
X



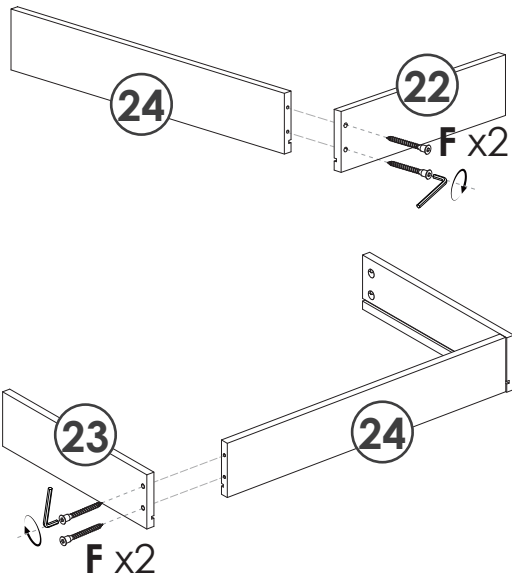
X



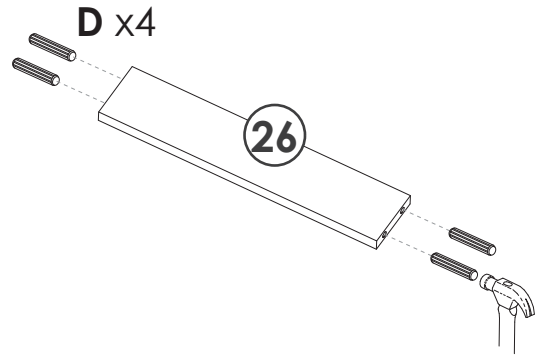
✓



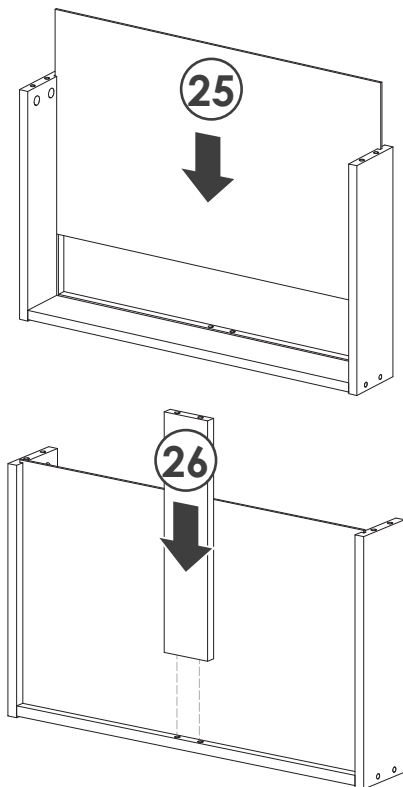
1



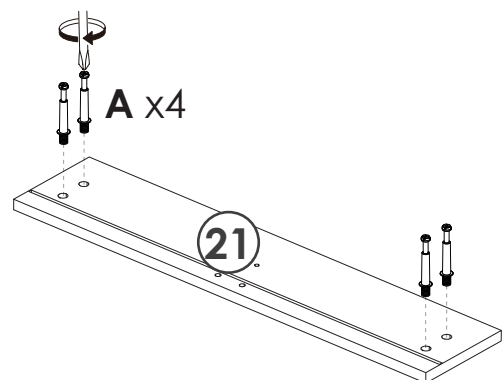
2



3



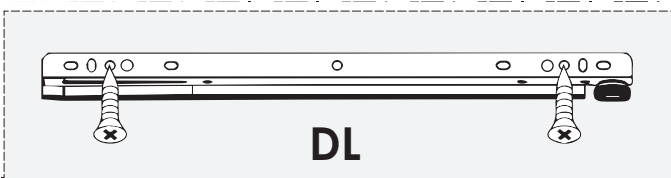
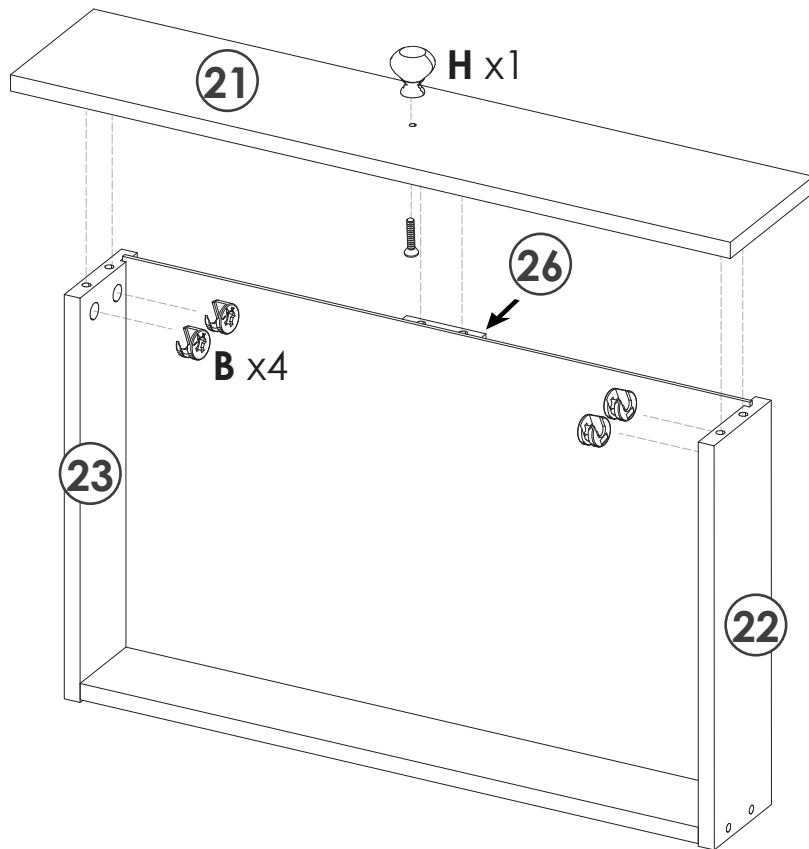
4



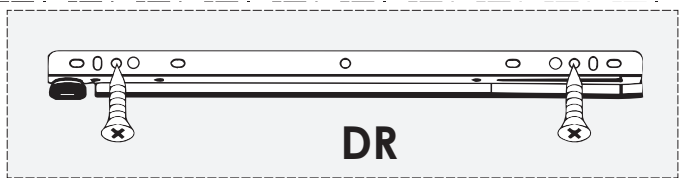
YOU WILL NEED

B x4

H x1



DL



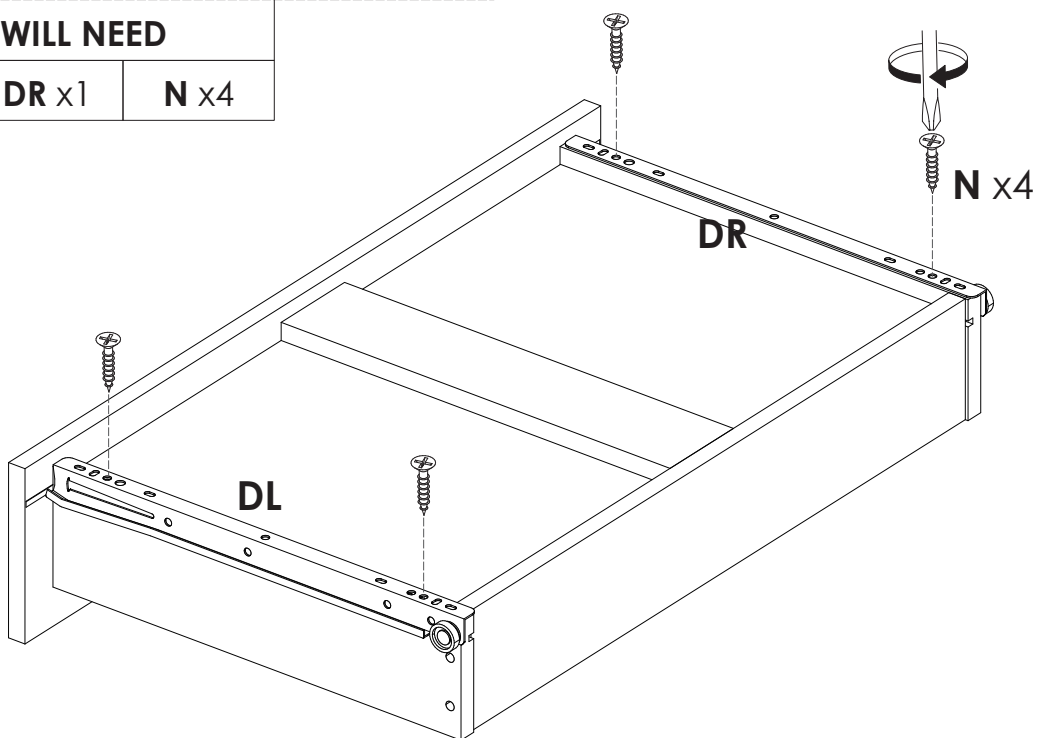
DR

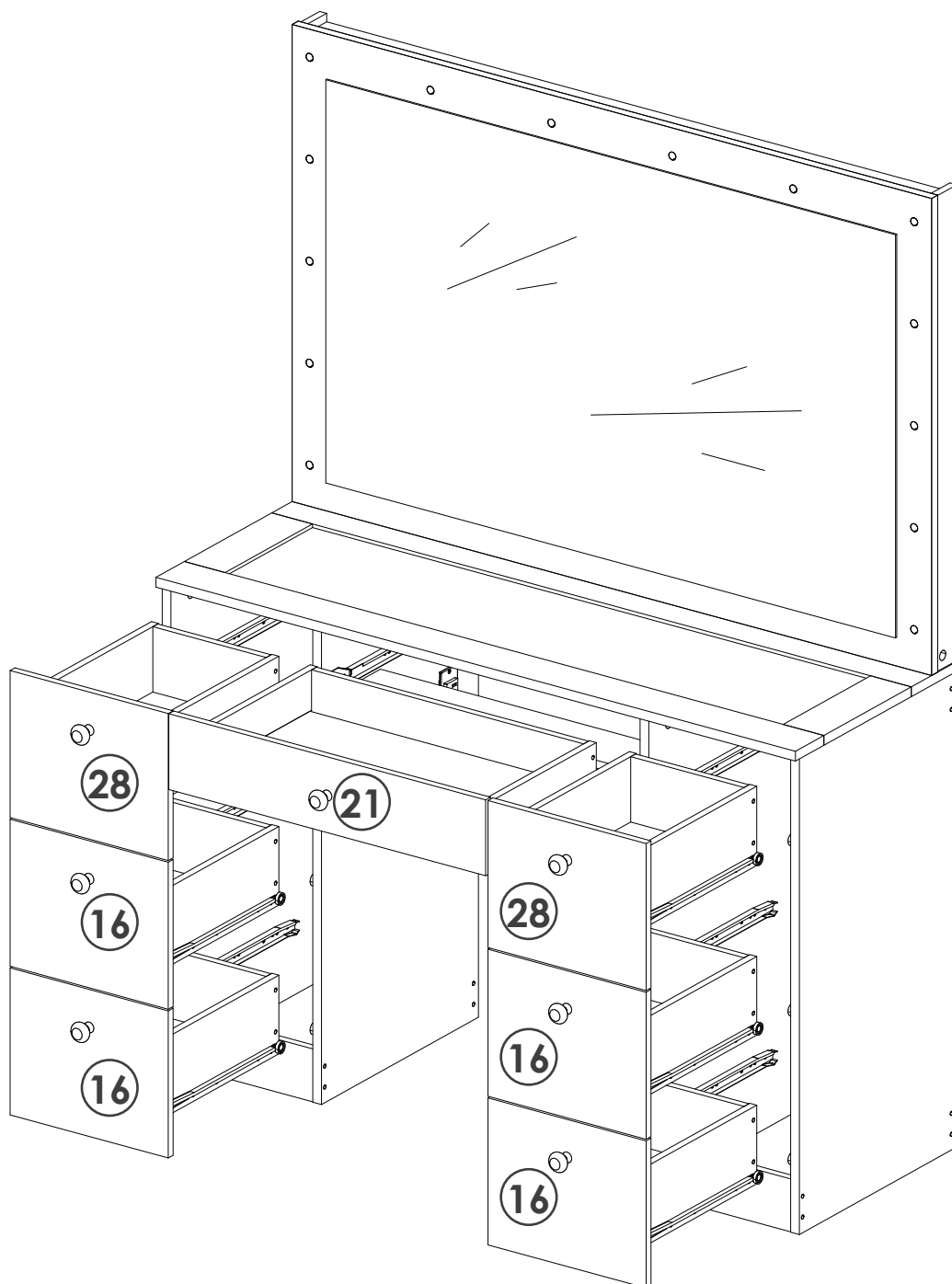
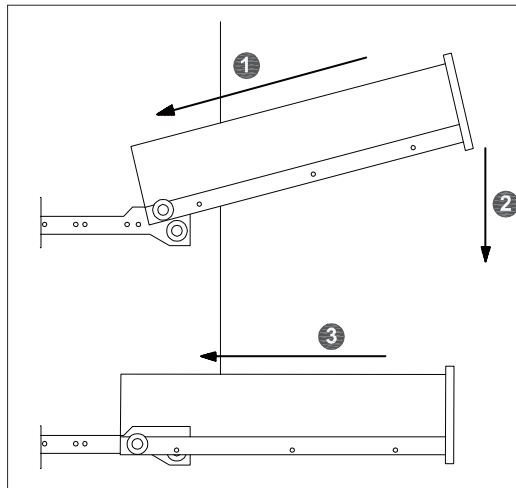
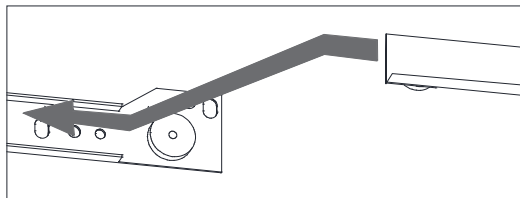
YOU WILL NEED

DL x1

DR x1

N x4





20

YOU WILL NEED

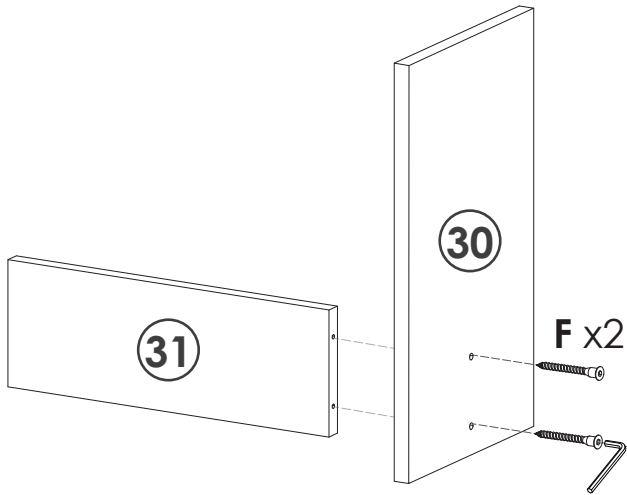
A x4

B x4

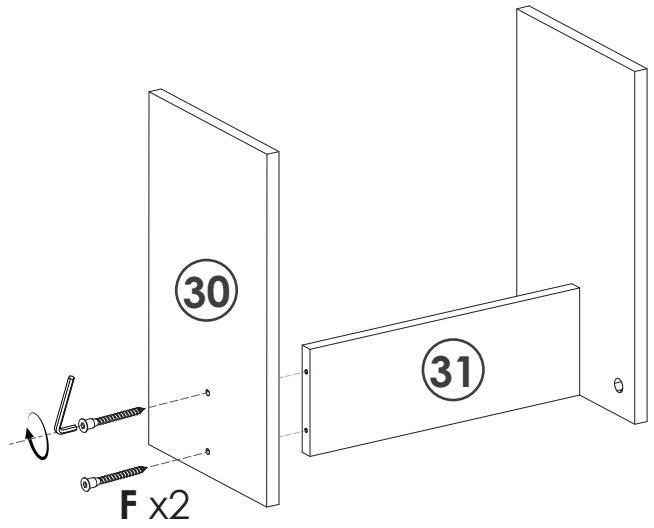
F x4

G x4

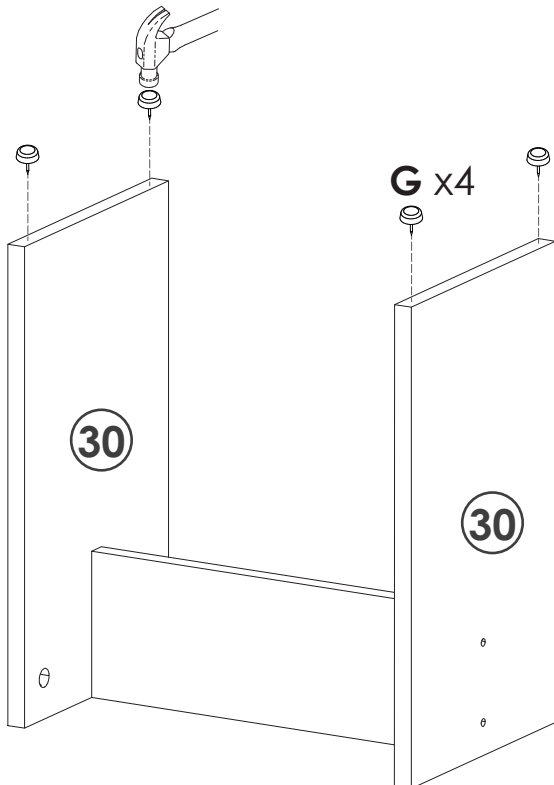
1



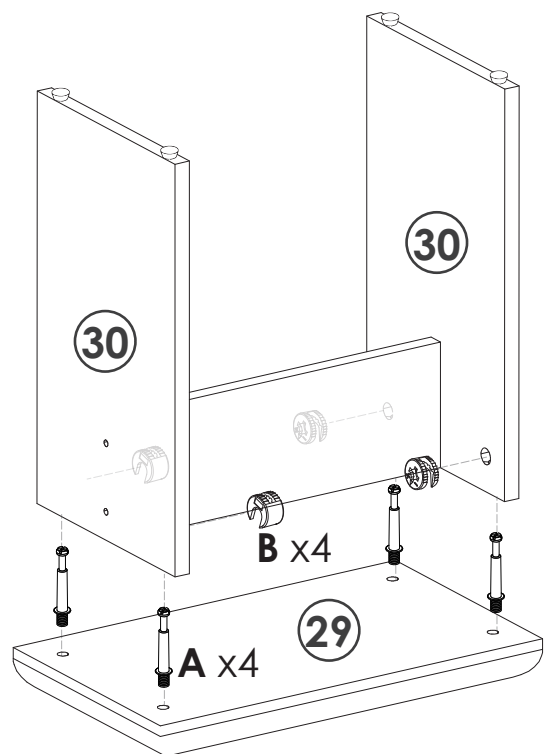
2

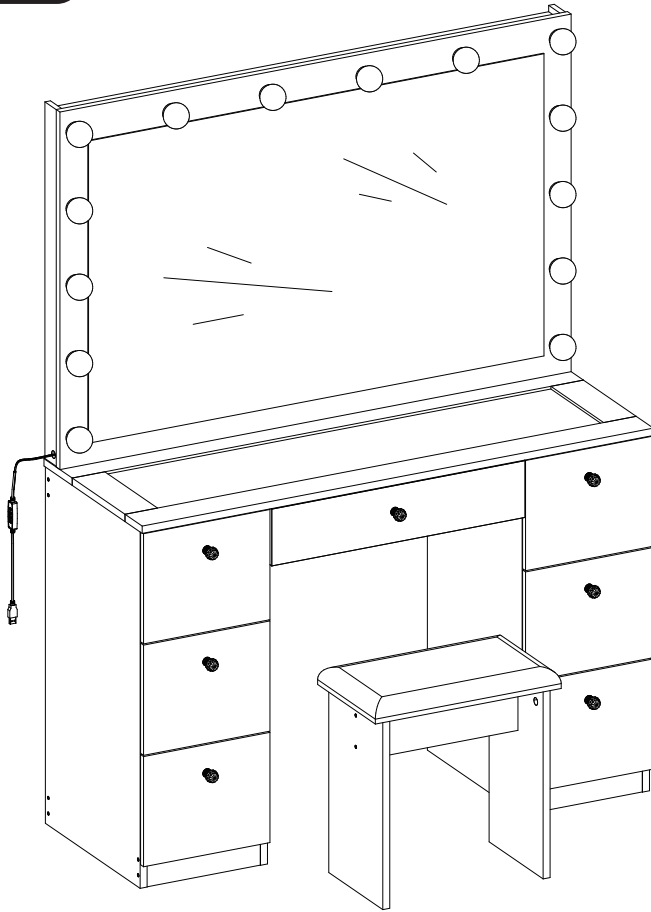


3



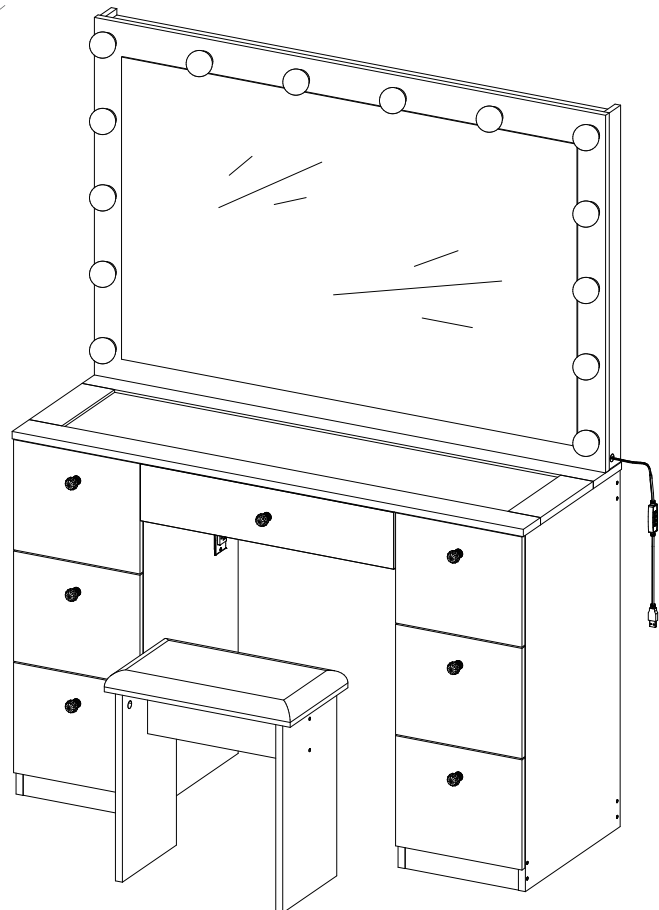
4





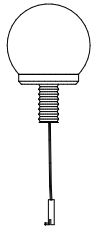
The light strip can be installed on the left or right according to your needs.

or



YOU WILL NEED

Q x1



x1 PC

Install the first bulb

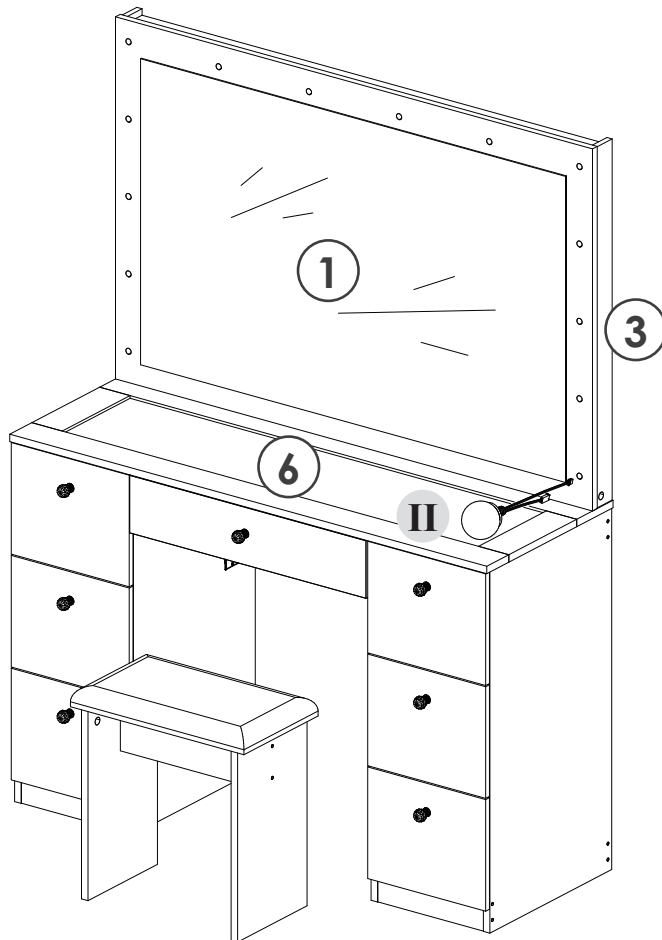
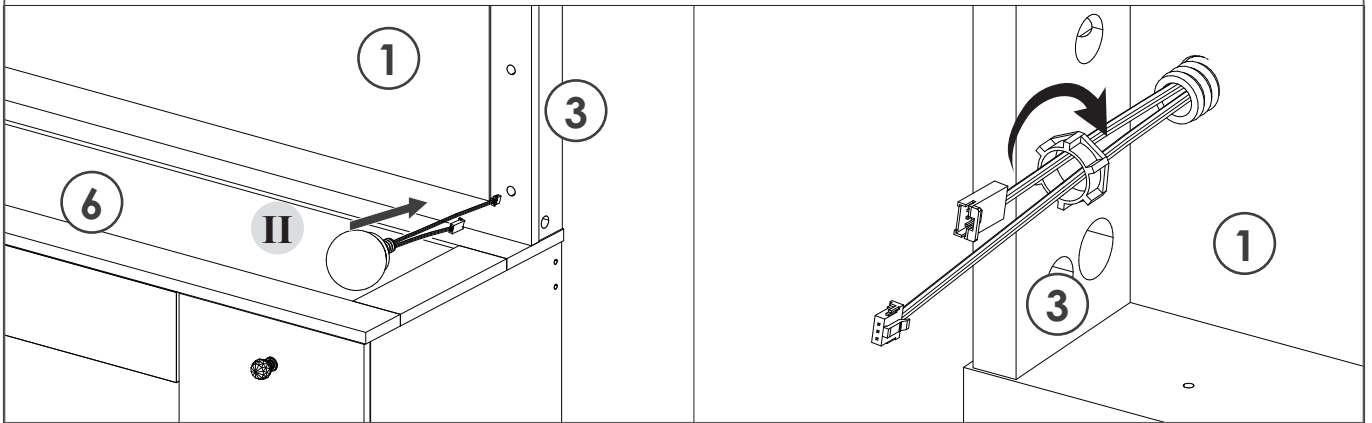
I



x13 PC

Install the other bulbs (13 pcs)

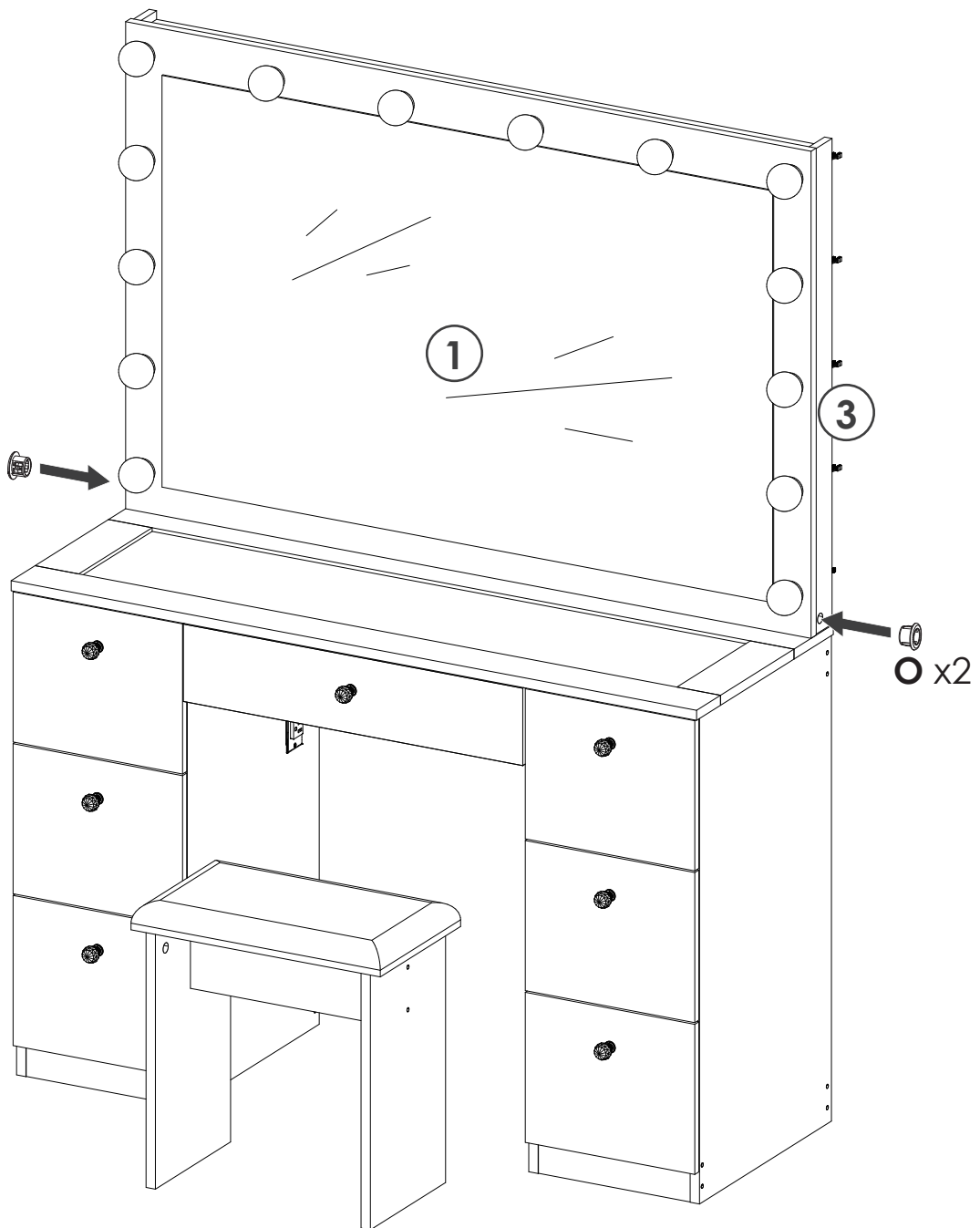
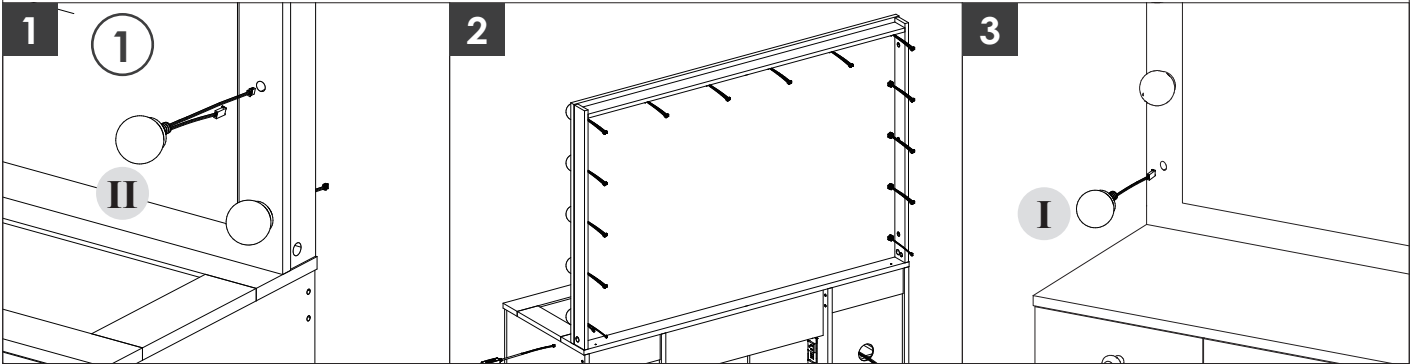
II

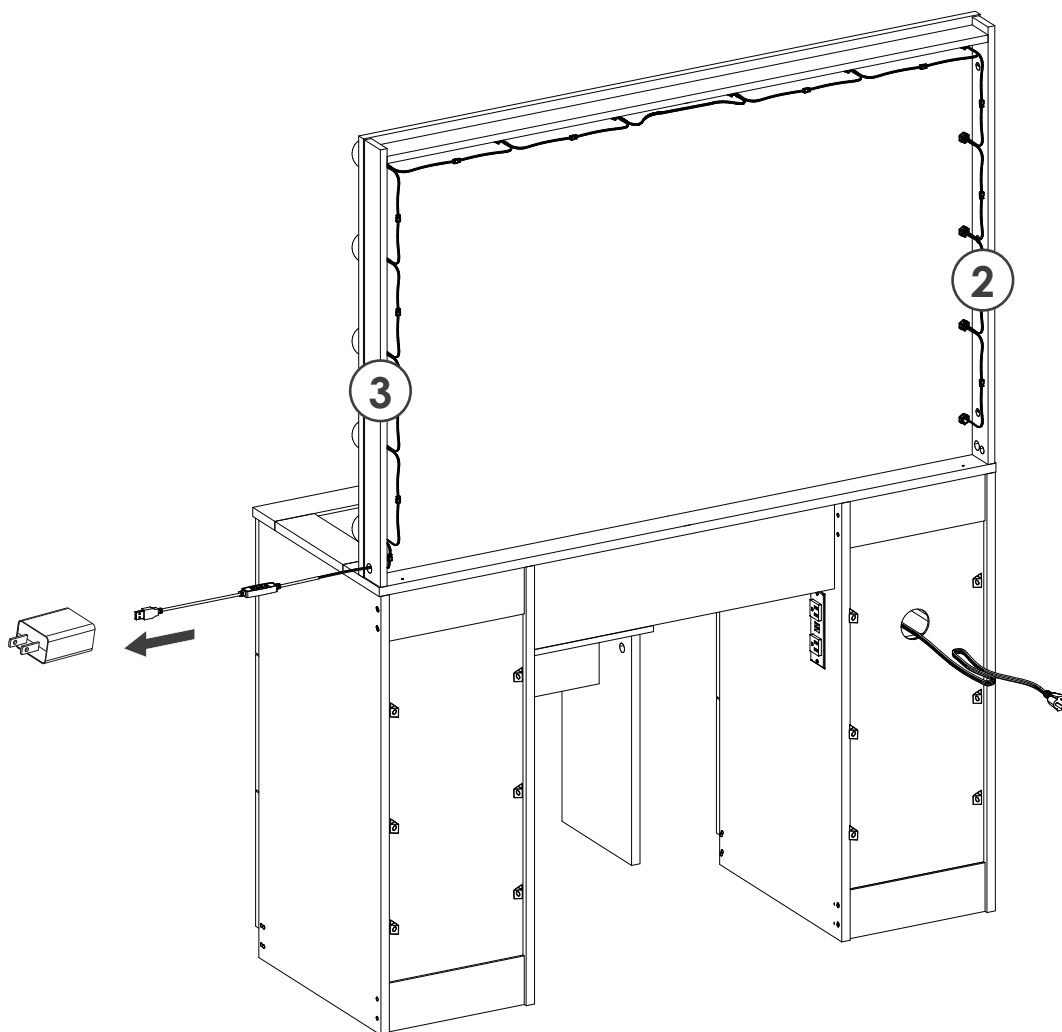
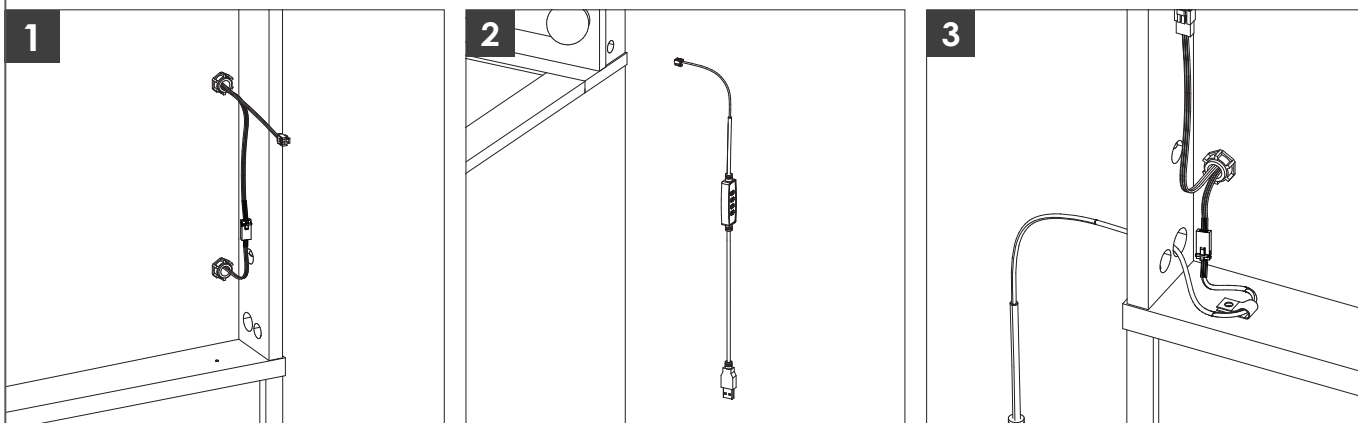
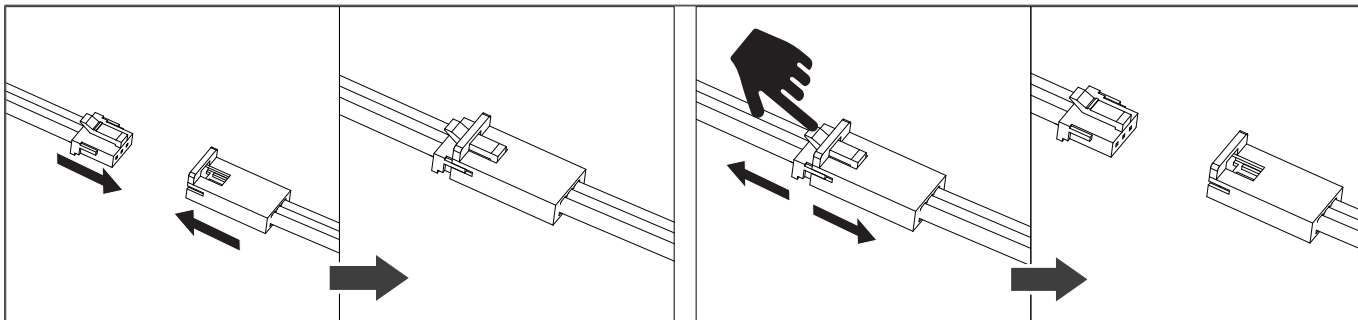


23

YOU WILL NEED

○ x2

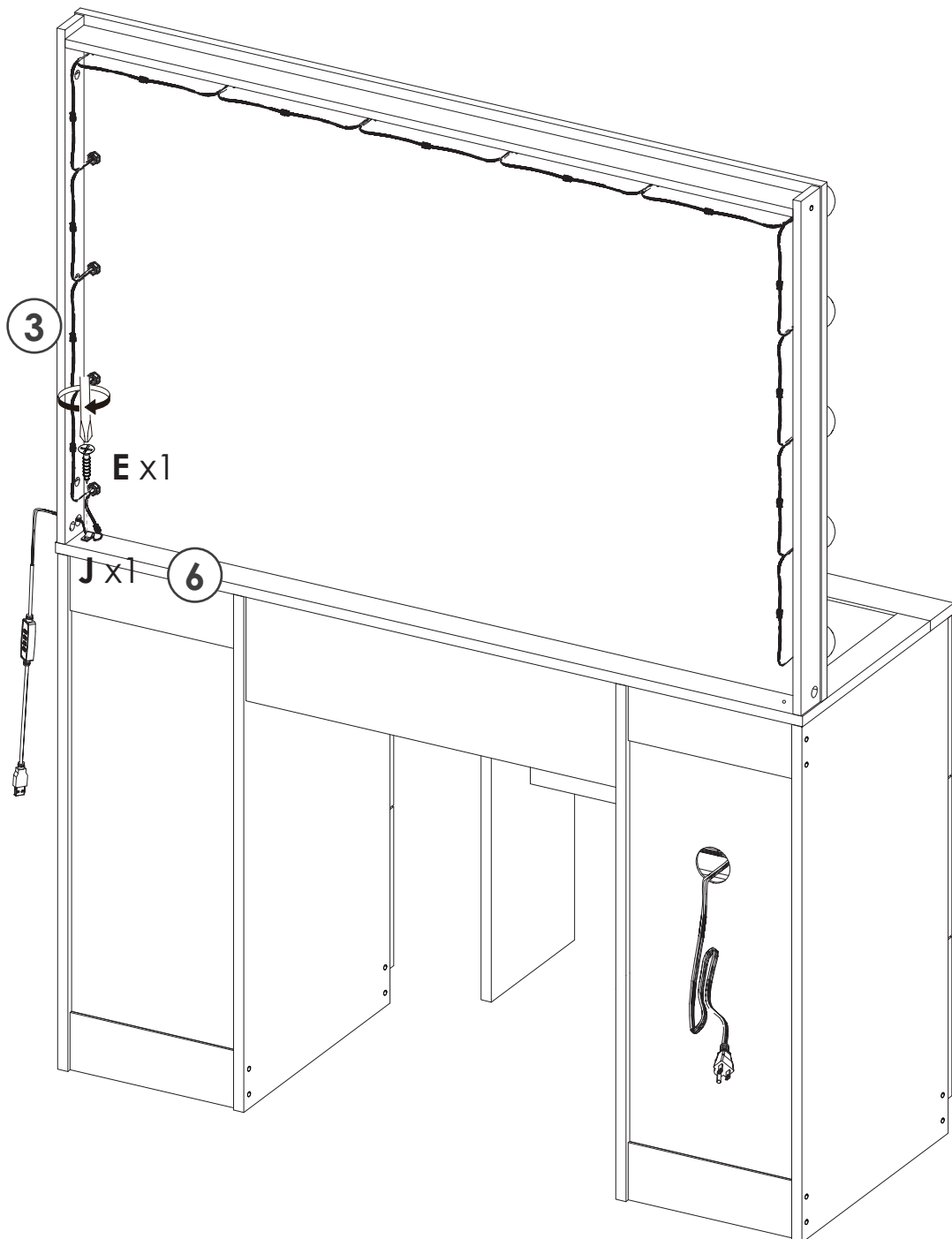
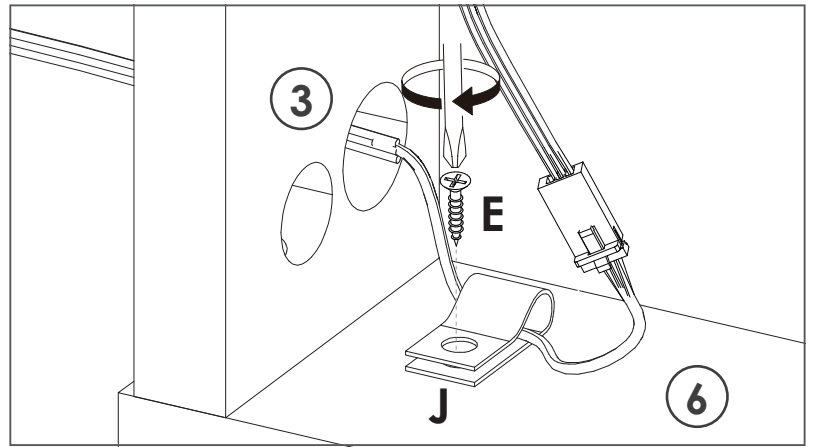




YOU WILL NEED

E x1

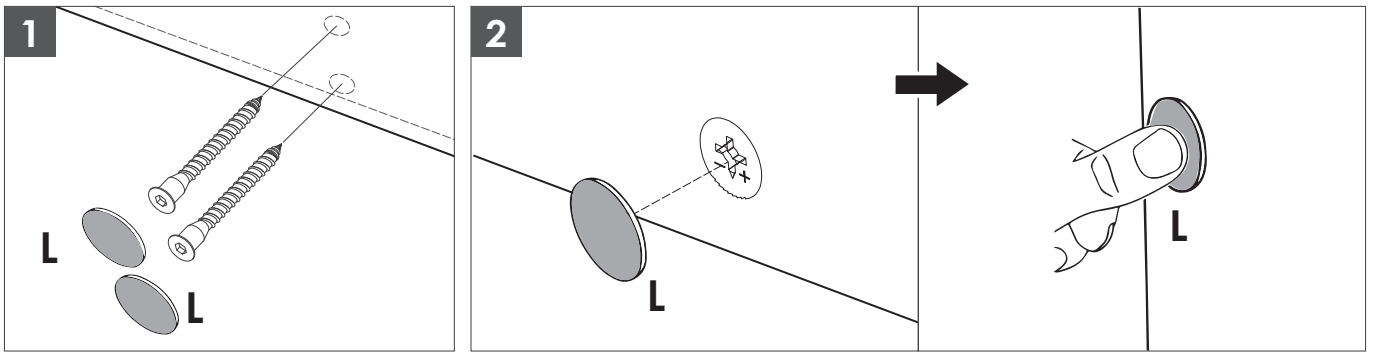
J x1



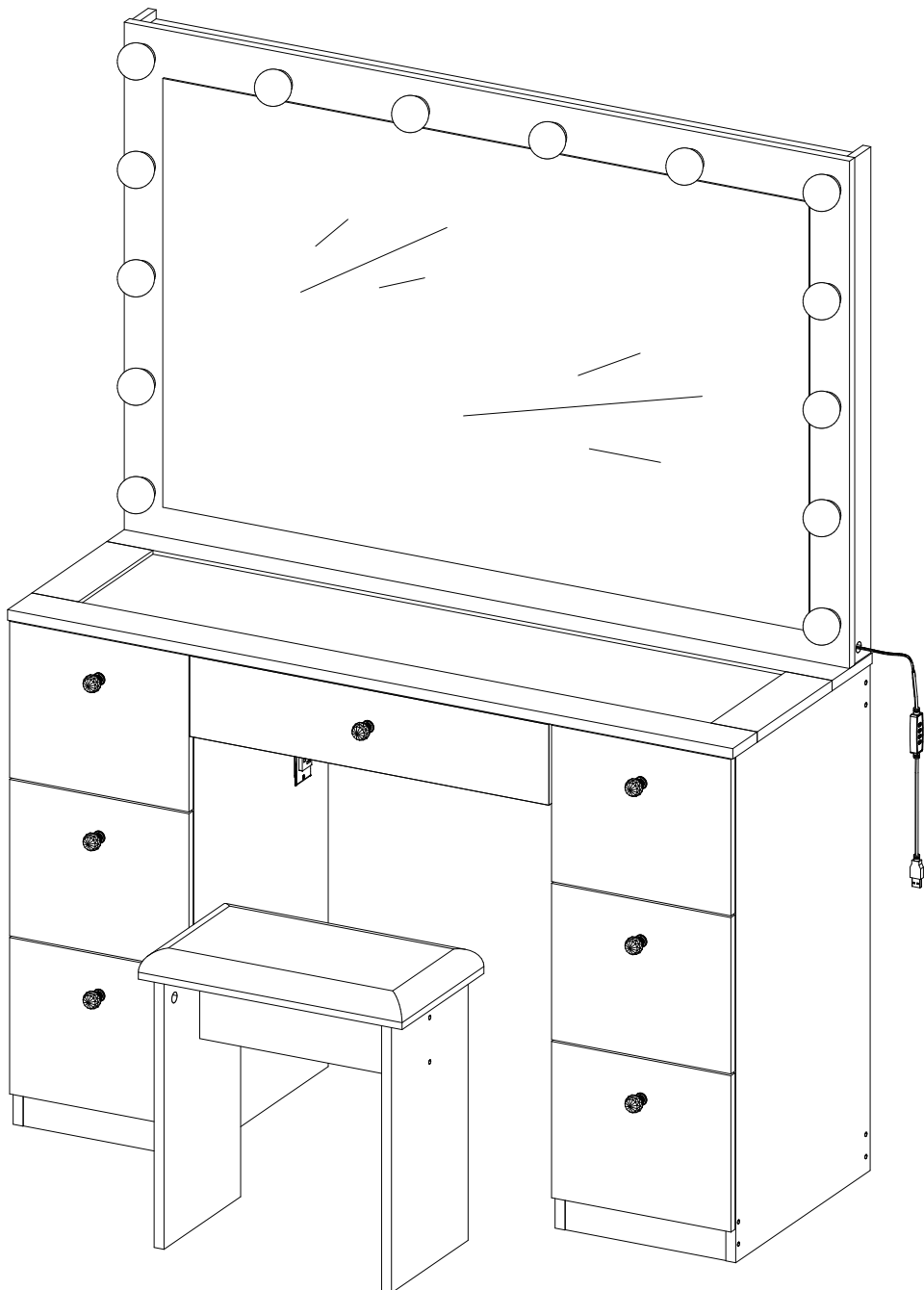
26

YOU WILL NEED

L x58



Beauty sticker **L**: Covers exposed screw holes.



WARRANTY

We provide an **18-month** warranty on the product starting from the date of the original purchase. If the product has any manufacturing defect, please contact us through email with details about the problem. We will send you further information about the return or exchange.