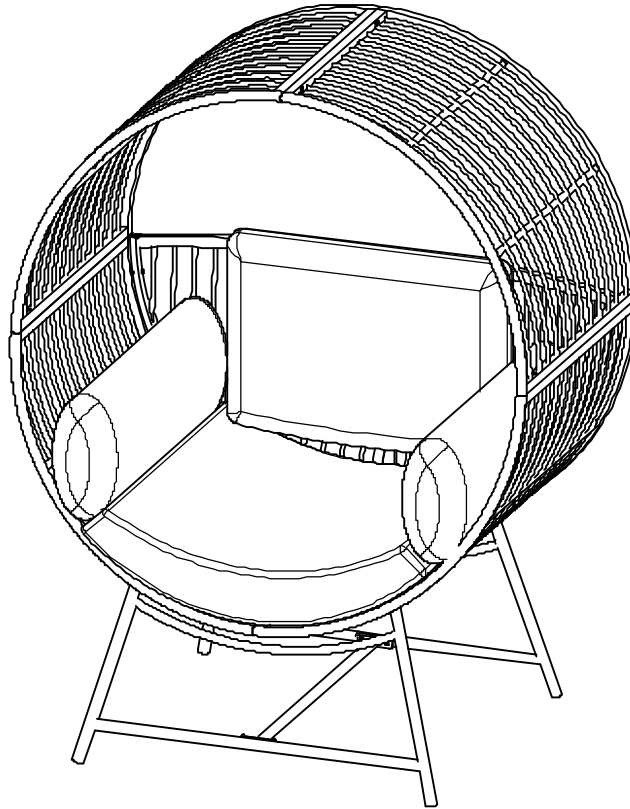


## PE Rattan Furniture Set Assembly Instructions





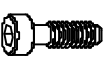
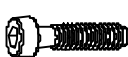




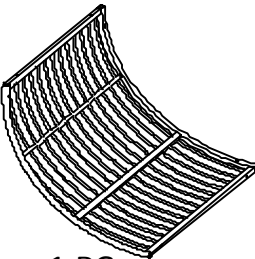
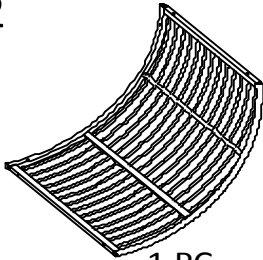
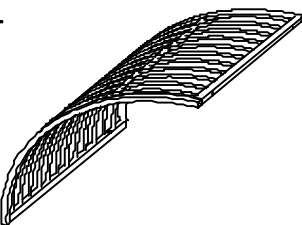
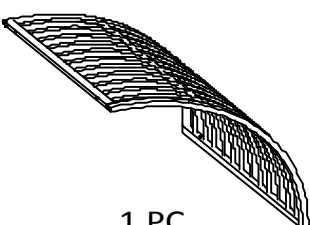
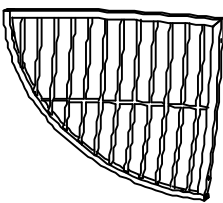
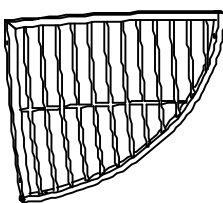
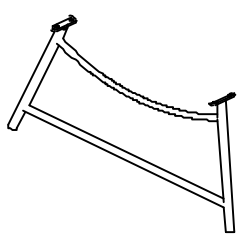

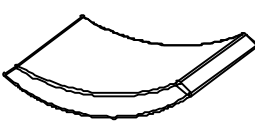
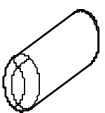

### ATTENTION

***Thanks for choosing our product.***

1. Before assembling, please check you receive all the parts listed below. If there is any missing or damaged part, or if you have any question, please feel free to contact our service team for help.
2. Two persons are recommended to assemble the set.
3. Recommend to use waterproof furniture cover for entire furniture set when it is used outdoor to keep them longer lifetime.
4. Sofa cushion covers can be removed and cleaned up by cleaner when there are stains.

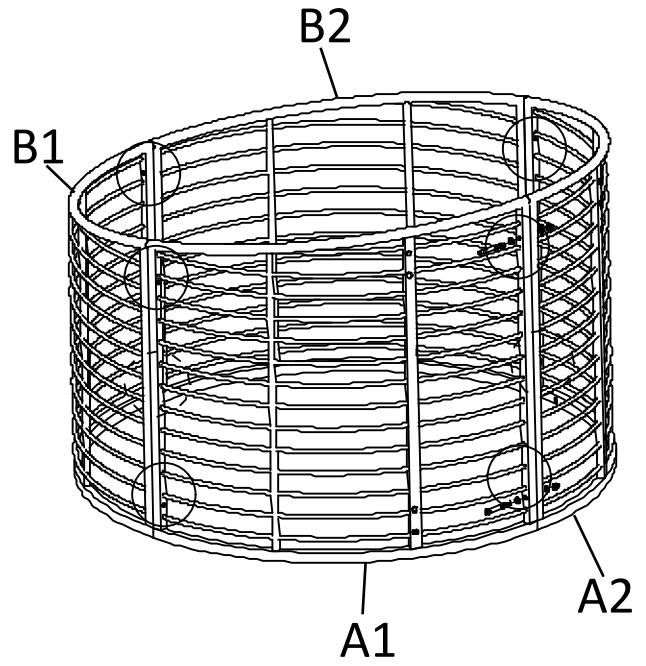
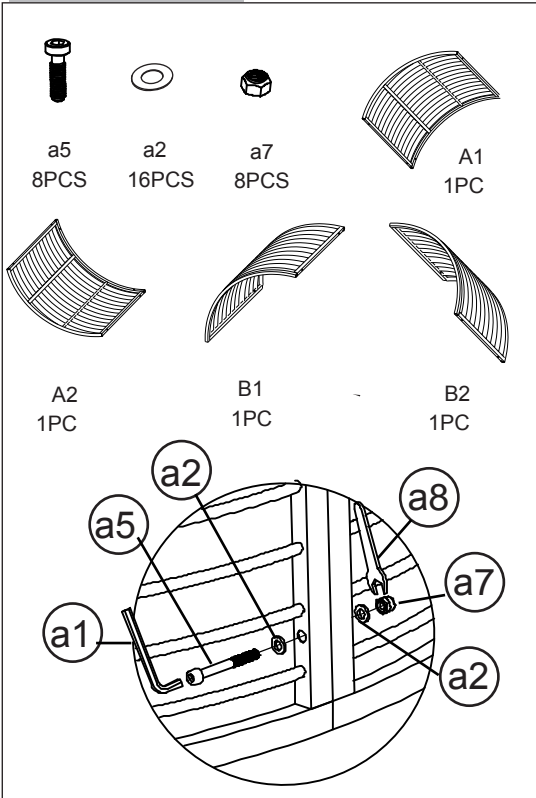
Please kindly check parts list and follow the assembly guide to install your furniture set.

### Parts List

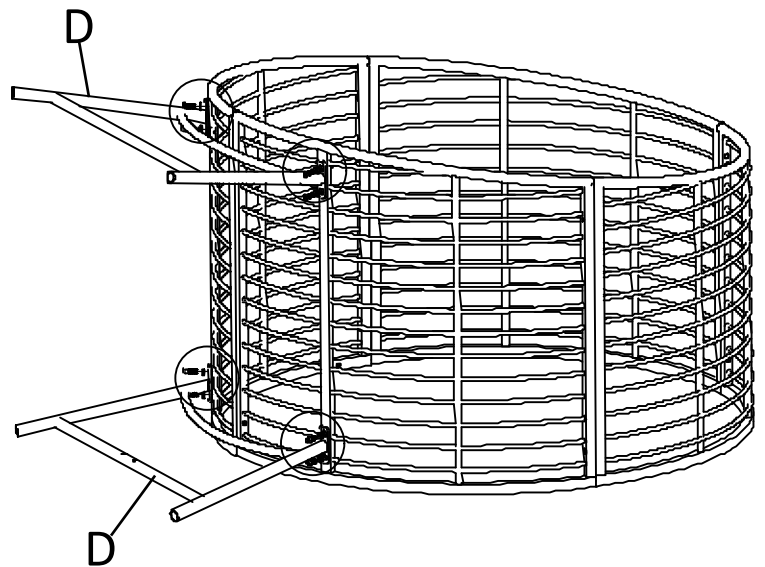
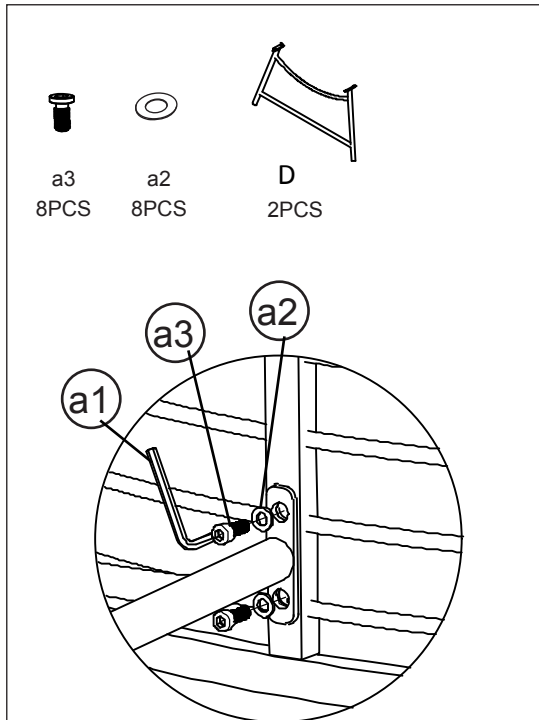
|  |   |   |   |
|--|---|---|---|
| <p><b>a1</b></p>  <p>4mm 1 PC</p>     | <p><b>a2</b></p>  <p>M6 36 PCS</p>   | <p><b>a3</b></p>  <p>M6*15mm 12 PCS</p> | <p><b>a4</b></p>  <p>M6*35mm 3 PCS</p> |
| <p><b>a5</b></p>  <p>M6*45mm 8PCS</p> | <p><b>a6</b></p>  <p>M6 *50 2PCS</p> | <p><b>a7</b></p>  <p>M6 10 PCS</p>      | <p><b>a8</b></p>  <p>10mm 1 PC</p>     |
| <p><b>A1</b></p>  <p>1 PC</p>        | <p><b>A2</b></p>  <p>1 PC</p>       | <p><b>B1</b></p>  <p>1 PC</p>         |   |
| <p><b>B2</b></p>  <p>1 PC</p>       | <p><b>C1</b></p>  <p>1 PC</p>      | <p><b>C2</b></p>  <p>1 PC</p>        |   |
| <p><b>D</b></p>  <p>2 PCS</p>       | <p><b>E</b></p>  <p>1 PC</p>       | <p><b>F</b></p>  <p>1 PC</p>         |   |
| <p><b>G</b></p>  <p>2 PCS</p>       | <p><b>H</b></p>  <p>1 PC</p>       |   |   |

# Assembly Instructions

## STEP 1



## STEP 2



STEP3



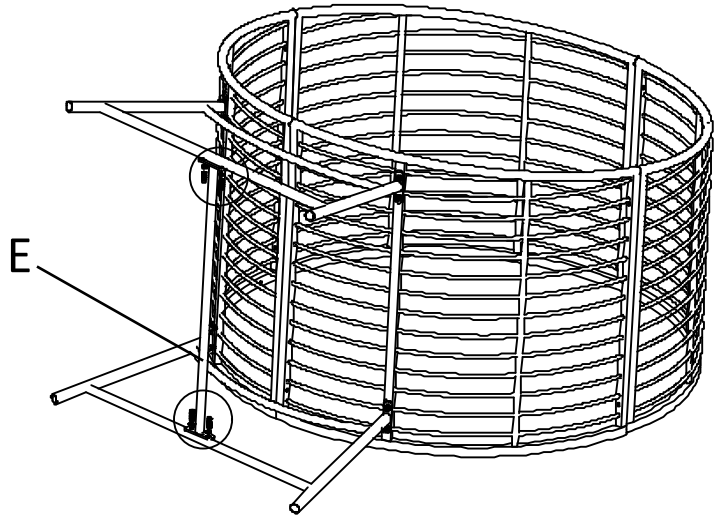
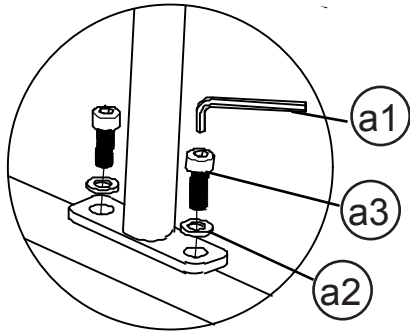
a3  
4PCS



a2  
4PCS



E  
1PC



STEP4



a6  
2PCS



a2  
4PCS



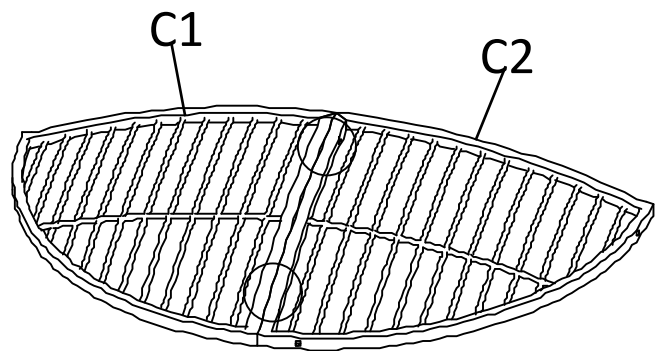
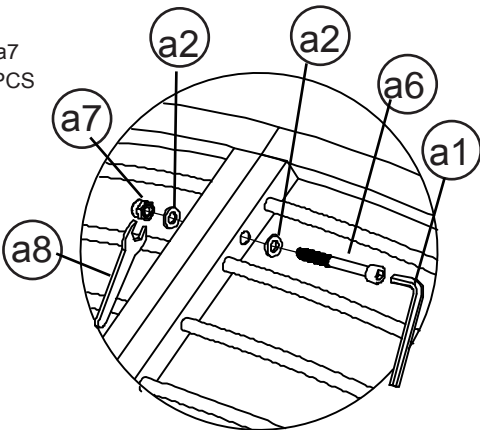
C1  
1PC



C2  
1PC



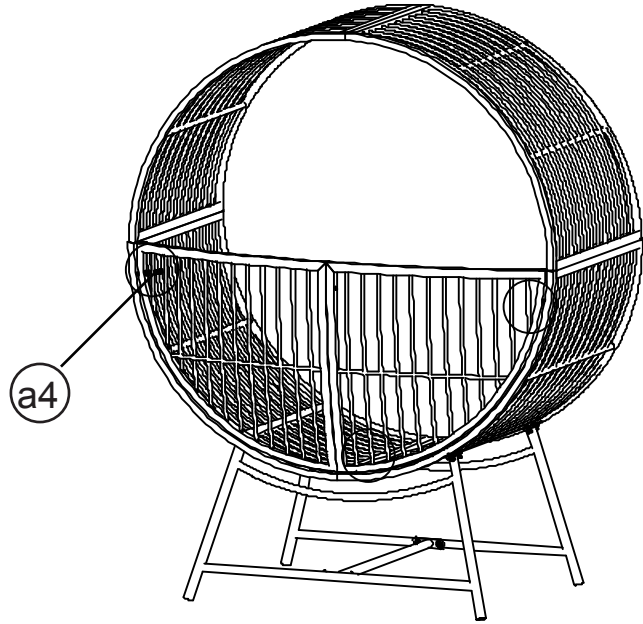
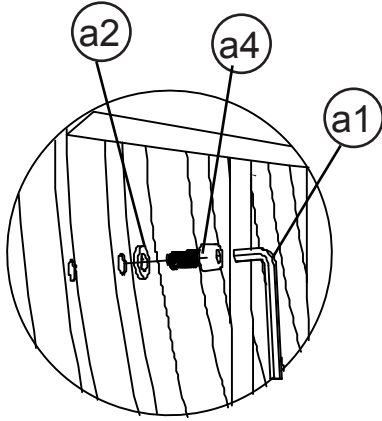
a7  
2PCS



STEP5



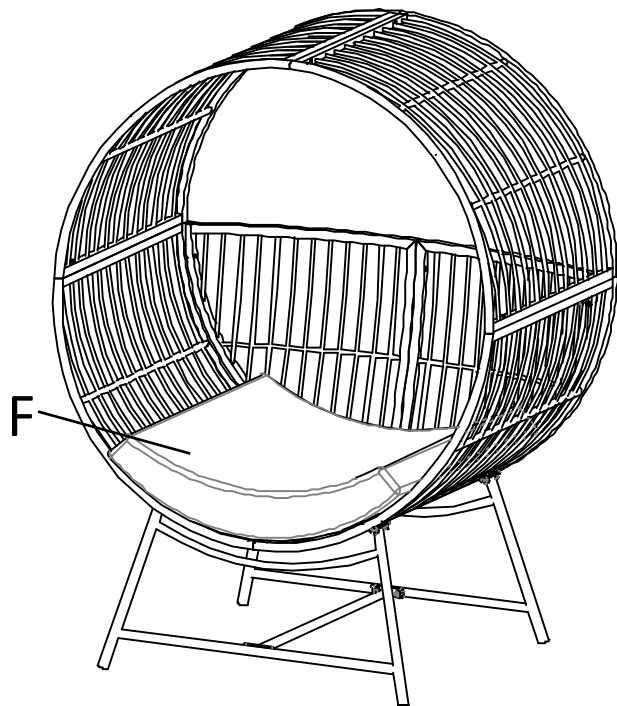
a4 3PCS  
a2 3PCS



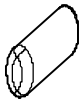
STEP6



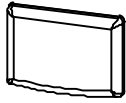
F  
1PC



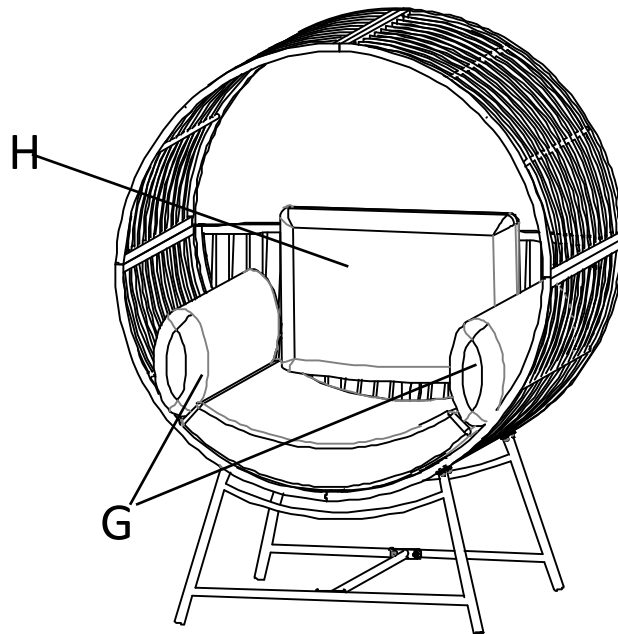
## STEP 7



**G**  
2PCS



**H**  
1PC



## Attention

1. We care about each customer's user experience. Please feel free to contact us if you have any questions, such as missing parts, or defective parts in transit. We will offer good solutions to you ASAP.
2. We recommend to use a waterproof cover for this patio sofa set when not in use, especially in rainy days, in order to prolong item life.
3. The cushion covers are removable and can be cleaned up by detergent when there are stains on them.
4. It's available to adjust the foot height by adjusting the knobs as8 regarding ground condition in order to keep the sofa set in balance.