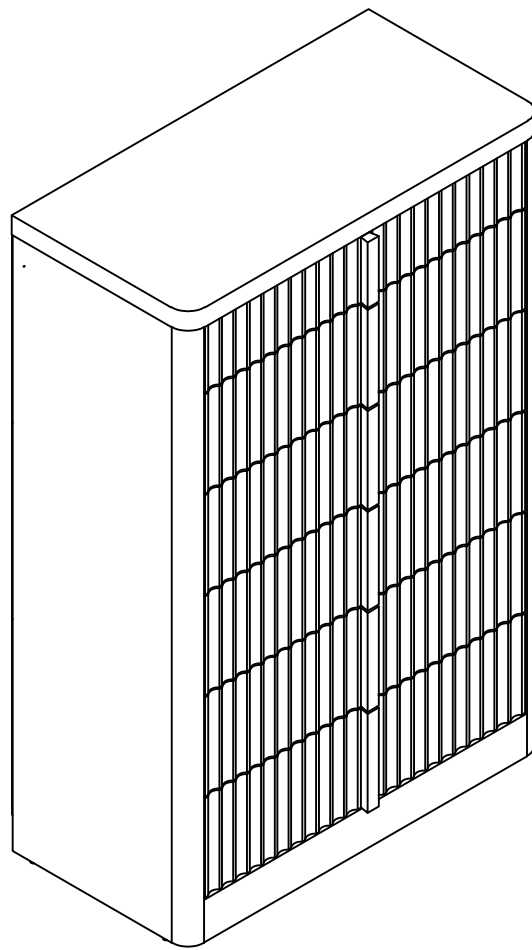
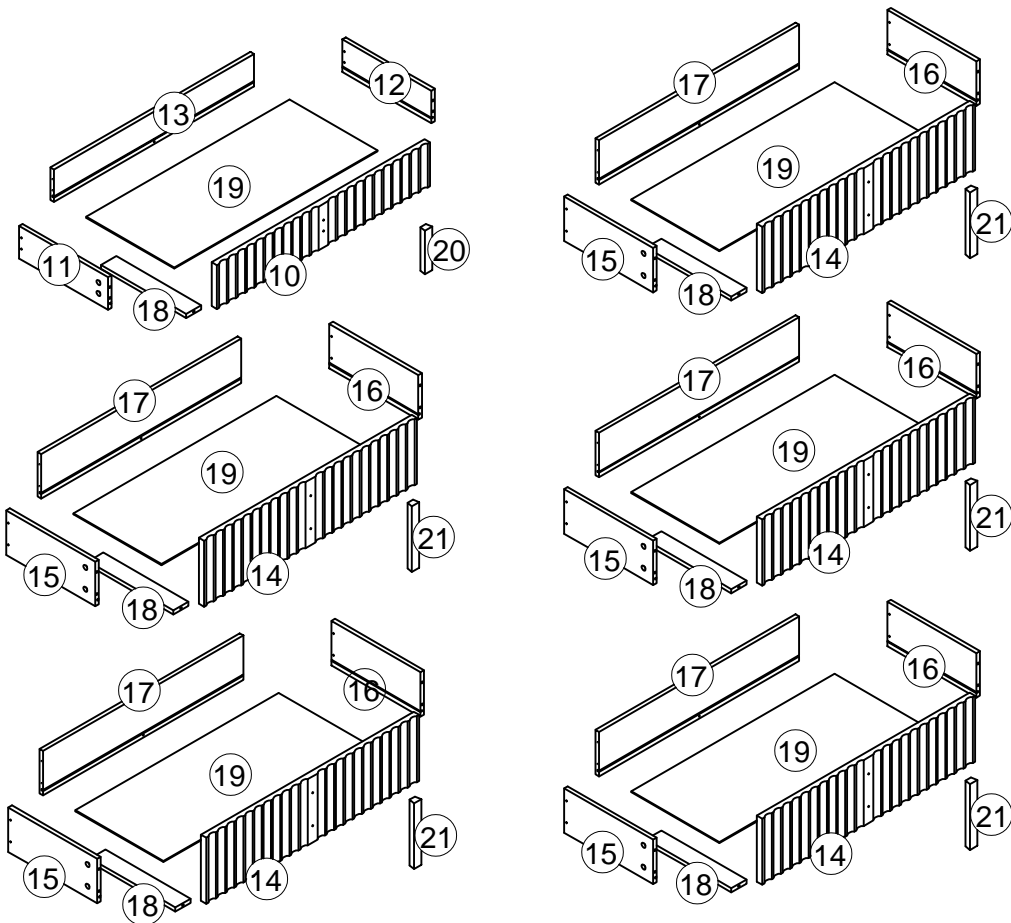
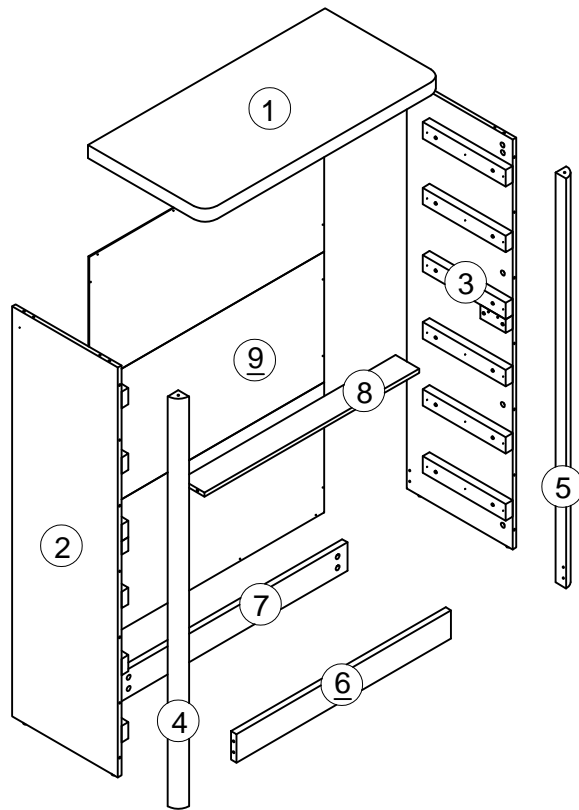


ASSEMBLY INSTRUCTIONS



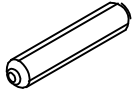

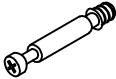
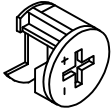
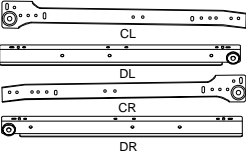

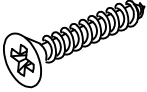


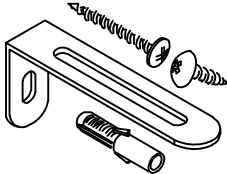
PACKAGE INCLUDE



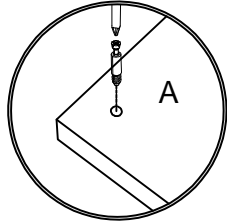
PACKAGE INCLUDE

| CODE | DESCRIPTION | QTY |
|------|------------------------------|-----|
| 1 | Top Panel | 1 |
| 2 | Left Side Panel | 1 |
| 3 | Right Side Plate | 1 |
| 4 | Left Column | 1 |
| 5 | Right Column | 1 |
| 6 | Bottom Vertical Panel | 1 |
| 7 | Rear Foot Plate | 1 |
| 8 | Drawer Front Panels | 1 |
| 9 | Backplate | 1 |
| 10 | Low Drawer Panels | 1 |
| 11 | Low Drawer Left Side Panel | 1 |
| 12 | Low Drawer Right Side Panel | 1 |
| 13 | Low Drawer Back Panel | 1 |
| 14 | High Drawer Panels | 5 |
| 15 | High Drawer Left Side Panel | 5 |
| 16 | High Drawer Right Side Panel | 5 |
| 17 | High Drawer Back Panel | 5 |
| 18 | Drawer Bottom Strip | 6 |
| 19 | Drawer Bottom Panel | 6 |
| 20 | Low Wooden Handles | 1 |
| 21 | High Wooden Handles | 5 |

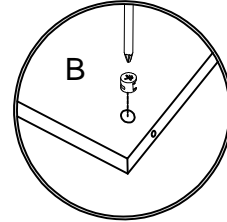
PACKAGE CONTENT

| | | | |
|---|---|--|---|
| <p>Ø6X30MM</p>  <p>(A) 12X+1</p> | <p>Ø4X25MM</p>  <p>(B) 12X+1</p> | <p>Ø6X40MM</p>  <p>(C) 54X+4</p> | <p>Ø15X10MM</p>  <p>(D) 54X+4</p> |
|  <p>(E) 6X</p> | <p>Ø3.5X12MM</p>  <p>(F) 60X+4</p> | <p>Ø4X35MM</p>  <p>(G) 30X+2</p> | <p>Ø3X12MM</p>  <p>(H) 20X+2</p> |
|  <p>(J) 24X+2</p> |  <p>(K) 2X</p> | | |

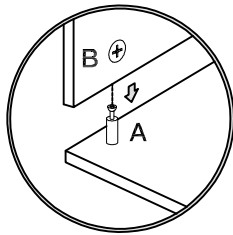
How to use the cam lock system



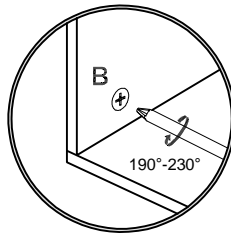
1. Screw cam bolt into panel



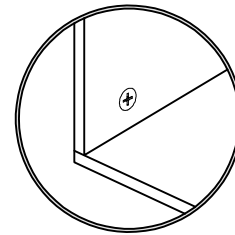
2. Push cam into panel - arrow feature on cam top points to panel edge



3. Align cam bolt(s) with cam(s) and insert all the way into cross-bored hole(s)

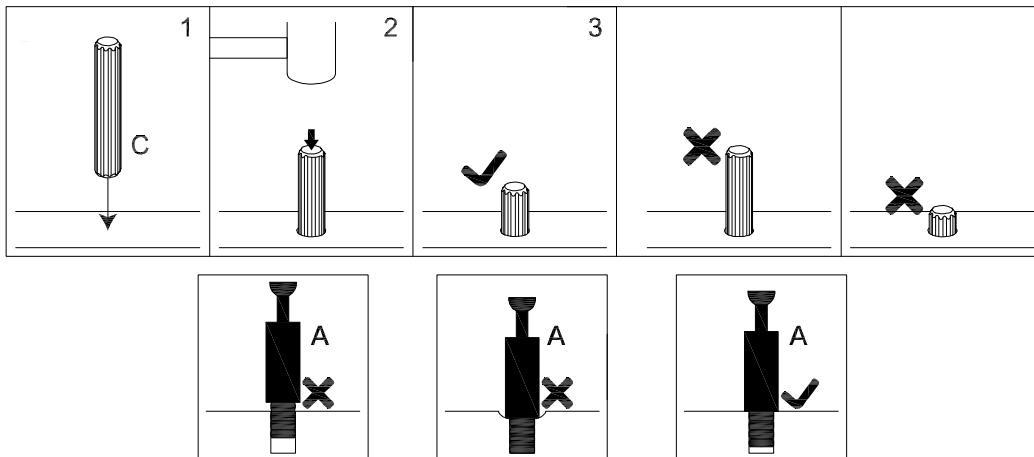


4. Rotate cam(s) clockwise 190°-230° to lock panels together

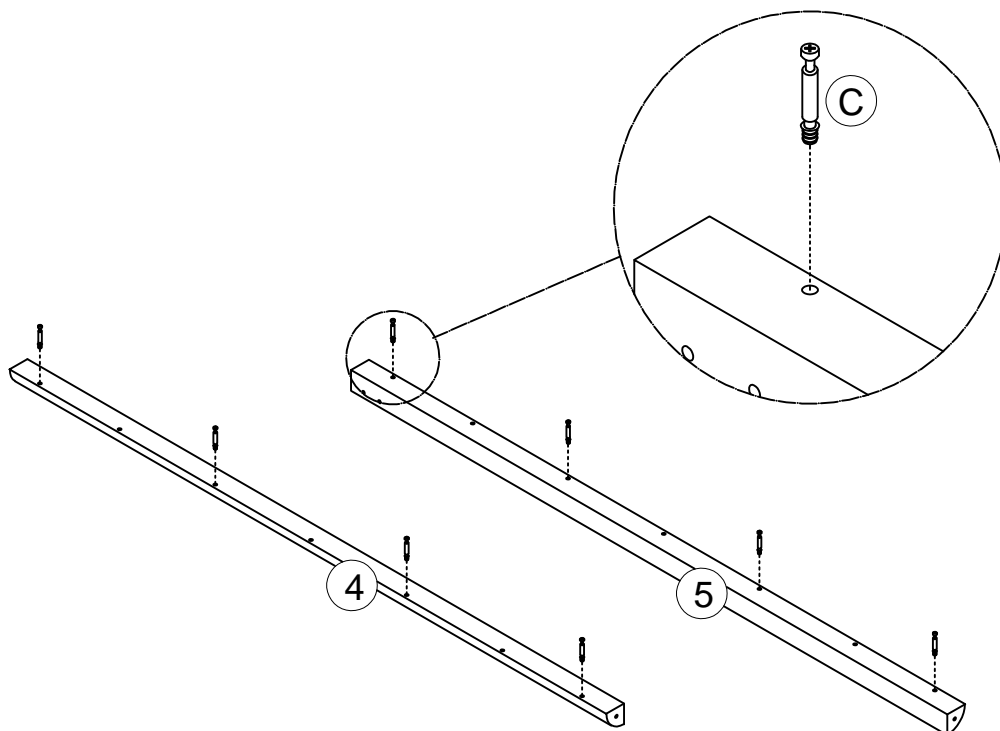
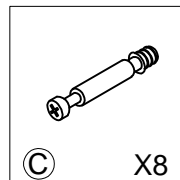


5. Panels should be tight against each other and connection should be rigid

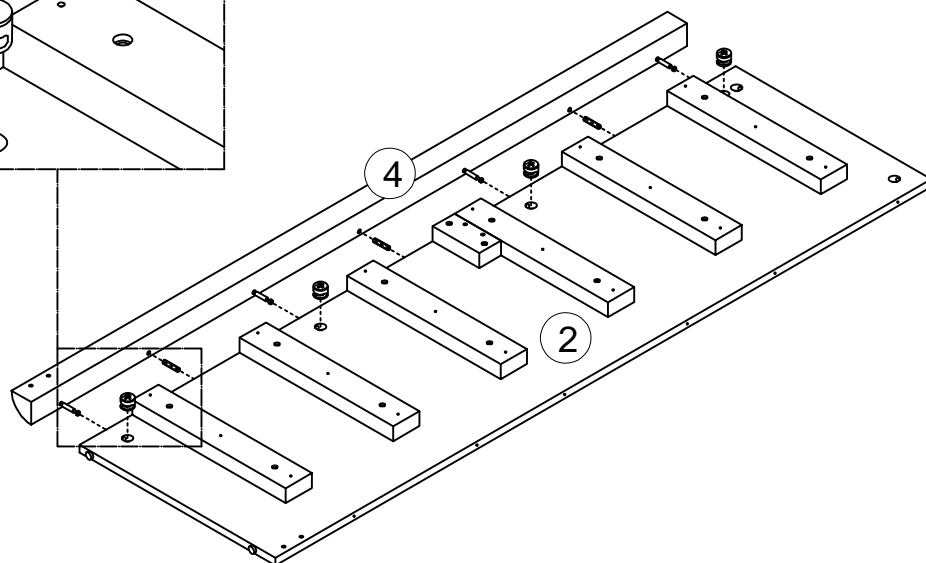
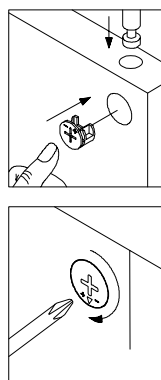
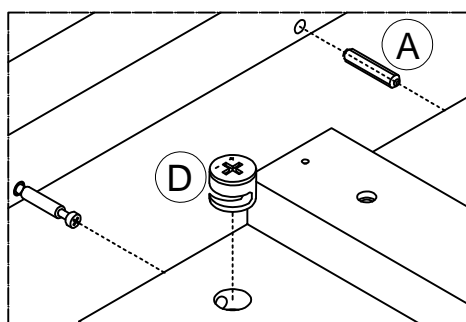
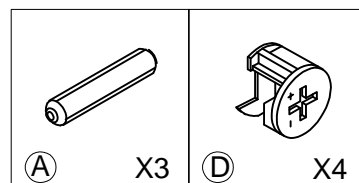
Insert the wood dowel [C] at least half way by tapping lightly with a rubber mallet, IF NECESSARY.



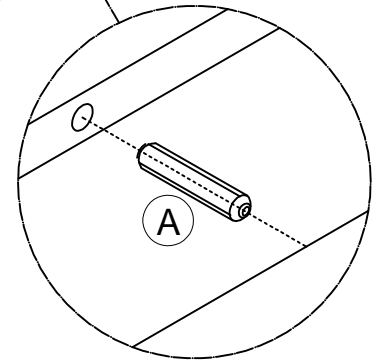
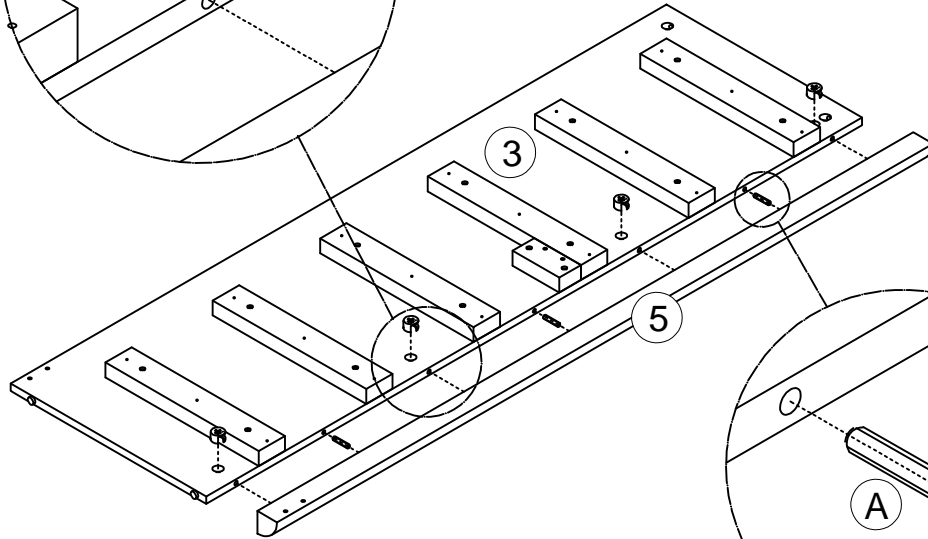
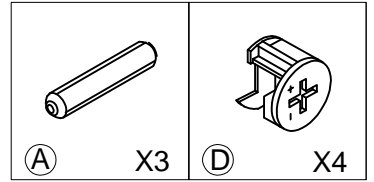
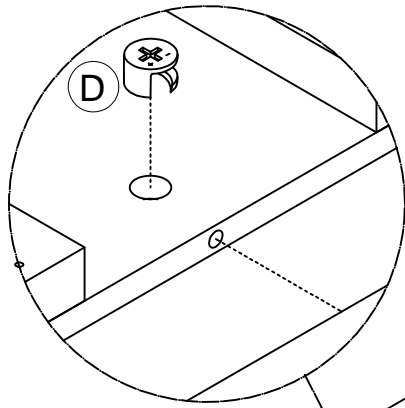
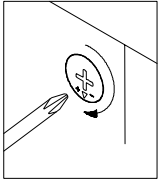
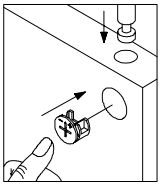
STEP 1



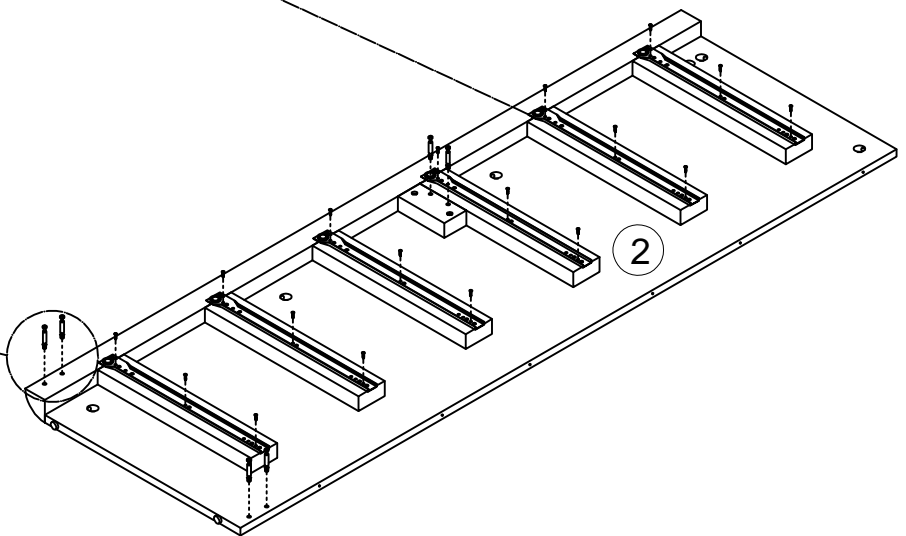
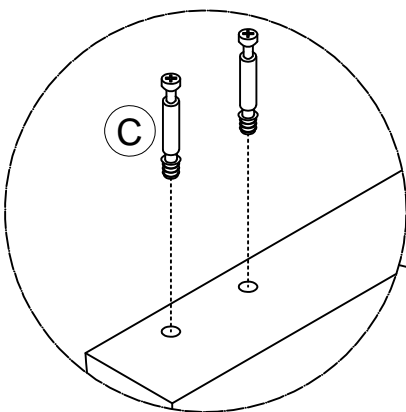
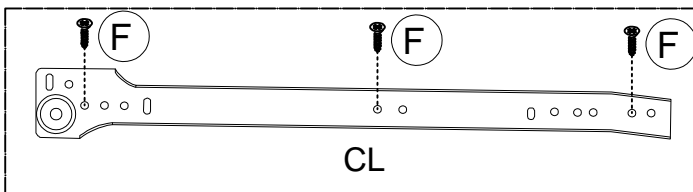
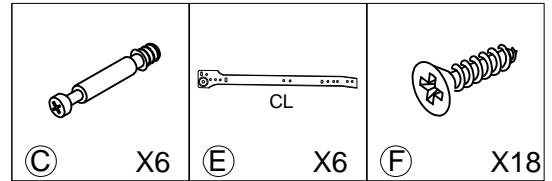
STEP 2



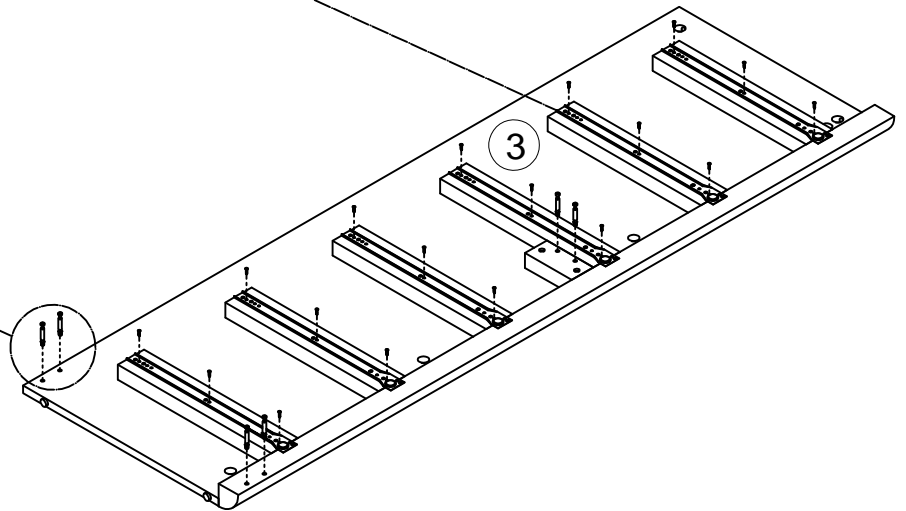
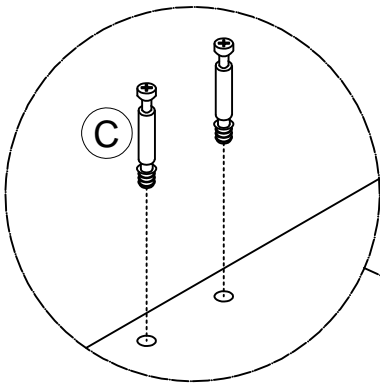
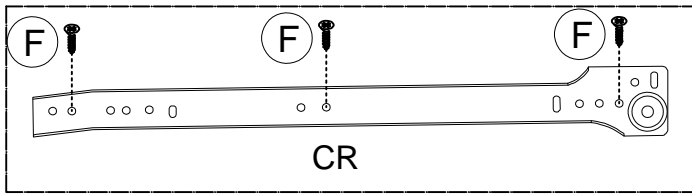
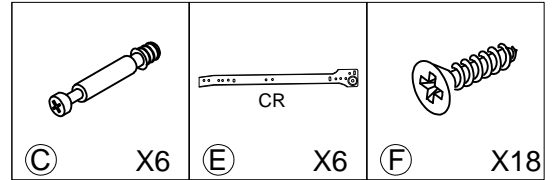
STEP 3



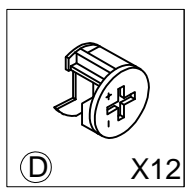
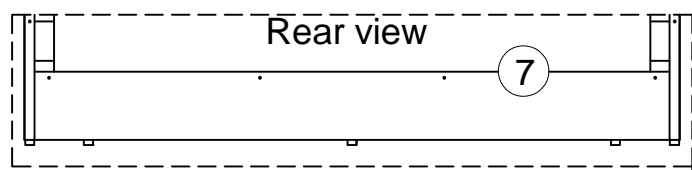
STEP 4



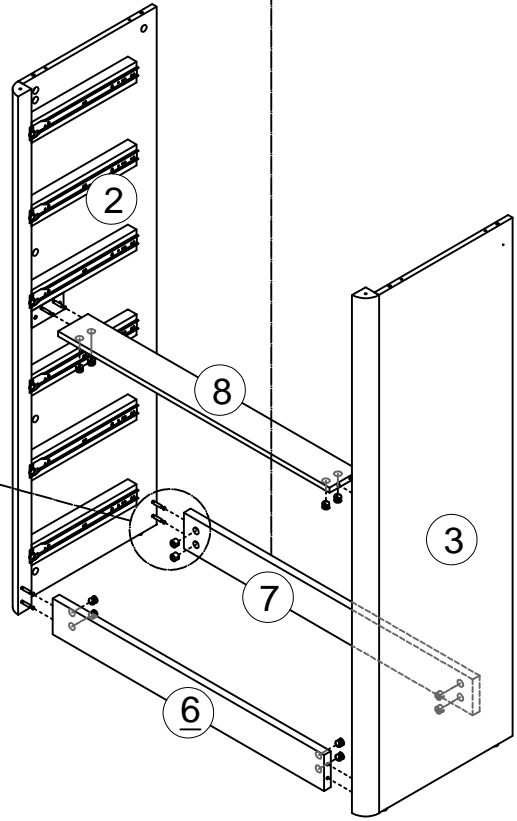
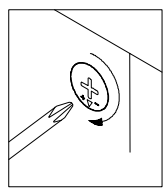
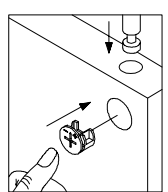
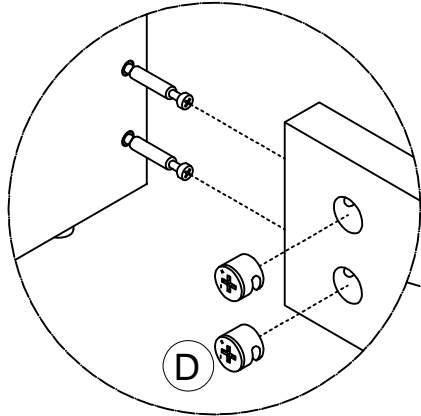
STEP 5



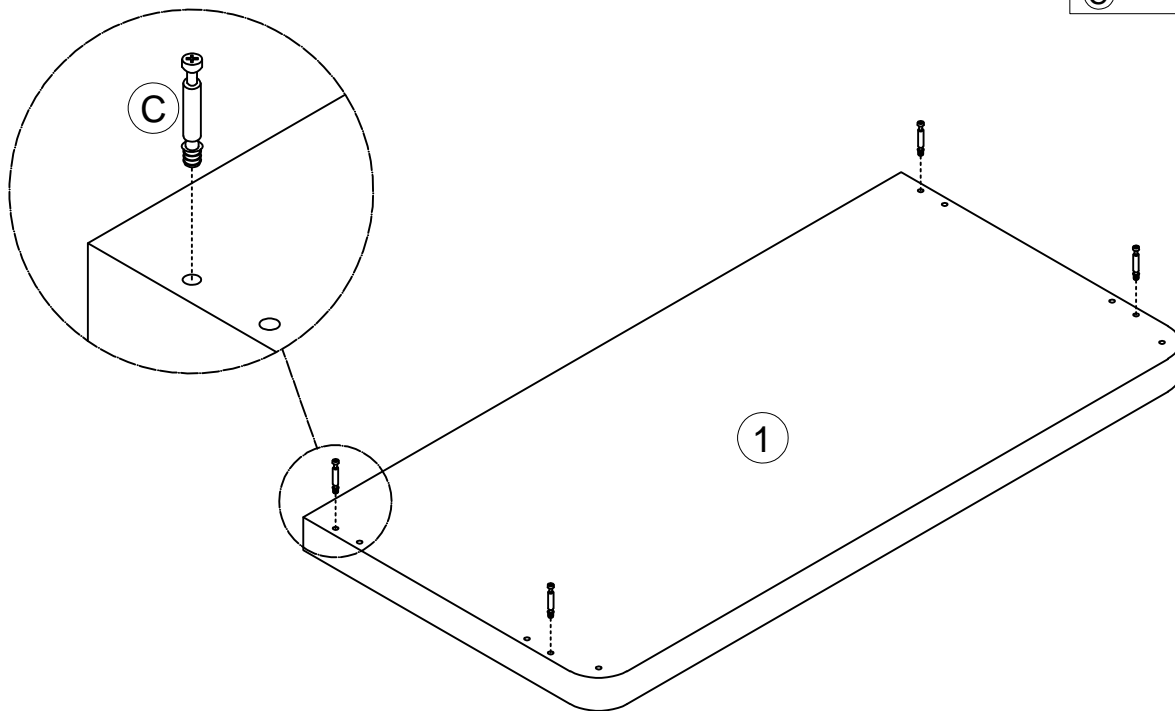
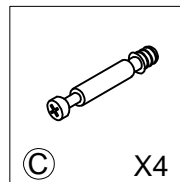
STEP 6



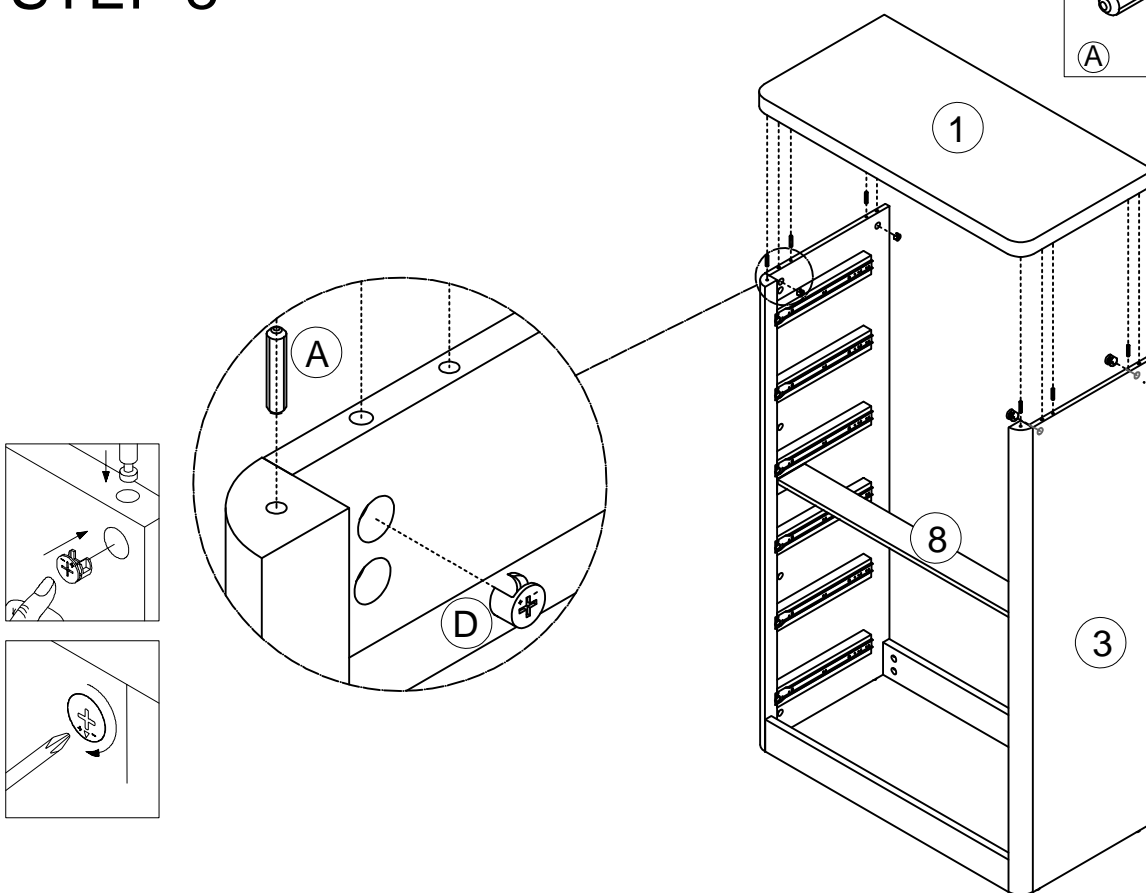
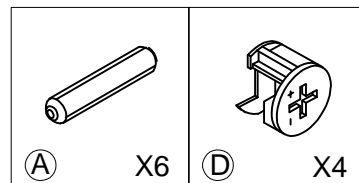
Please pay attention to the pre-drilled hole positions after assembly.



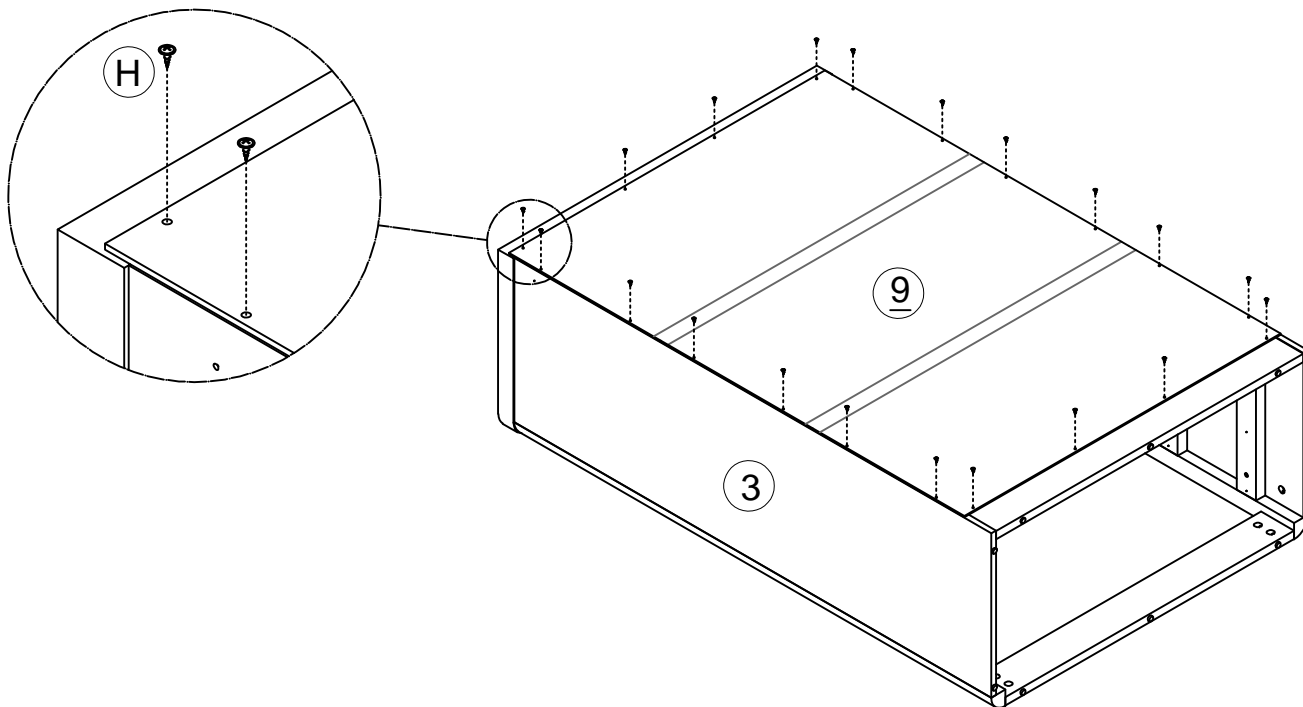
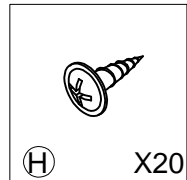
STEP 7



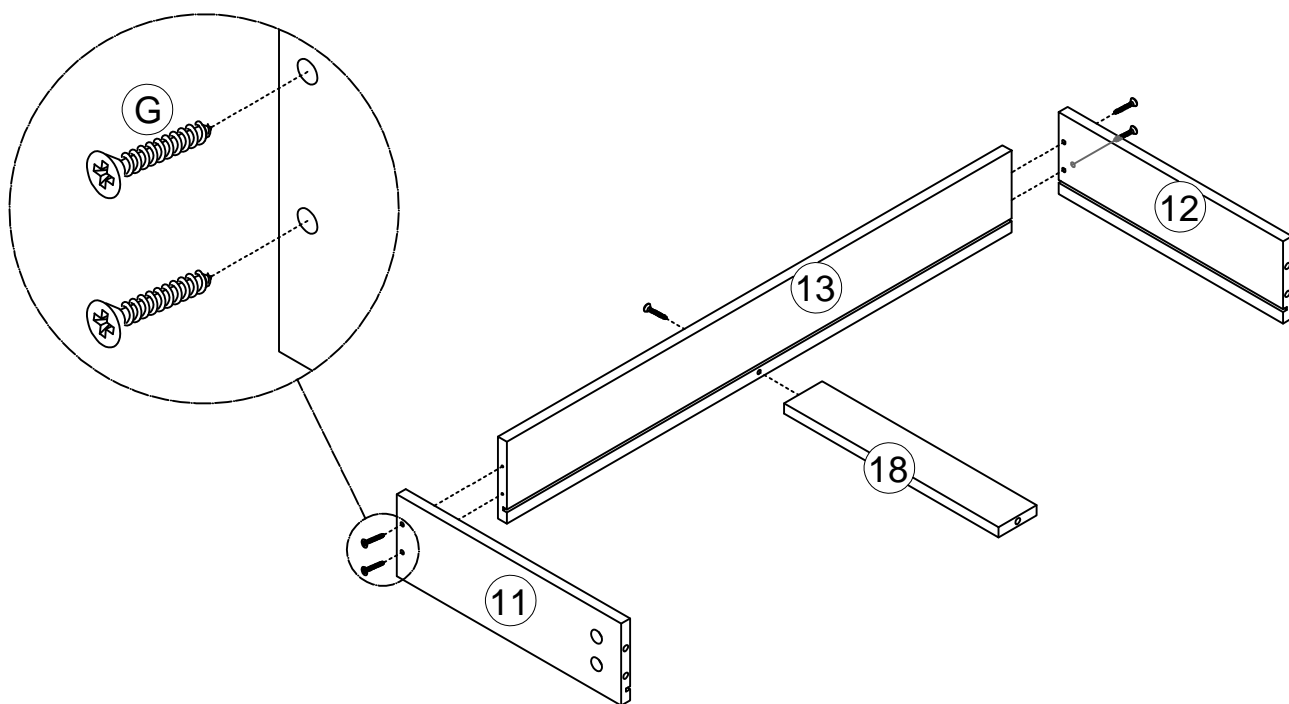
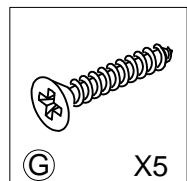
STEP 8



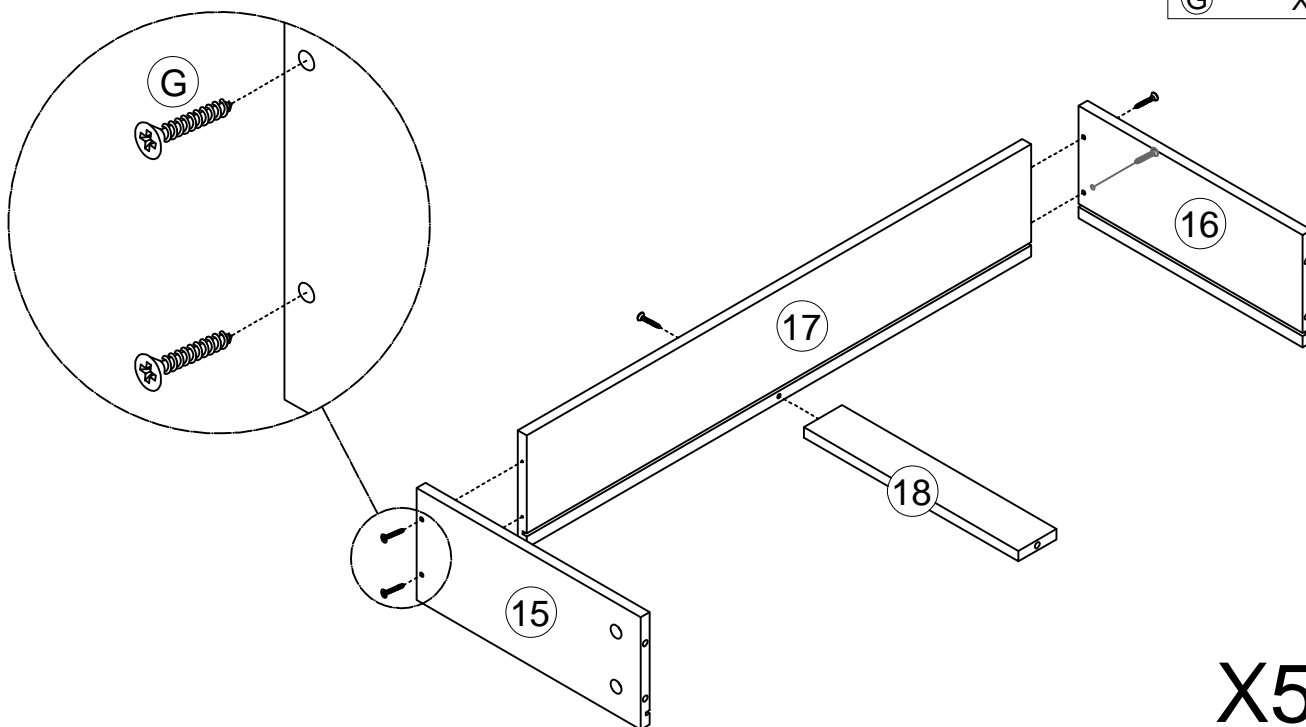
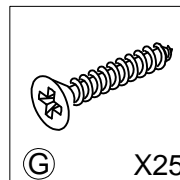
STEP 9



STEP 10

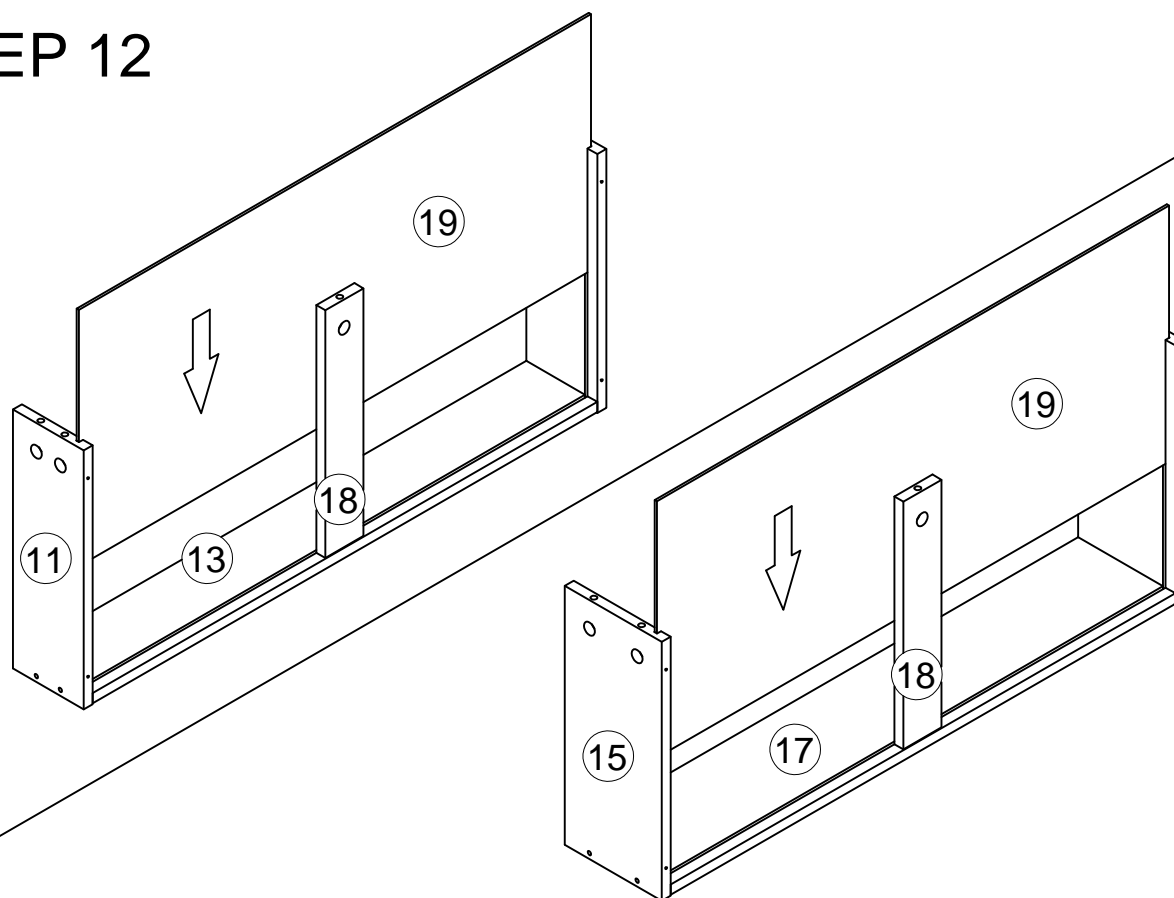


STEP 11



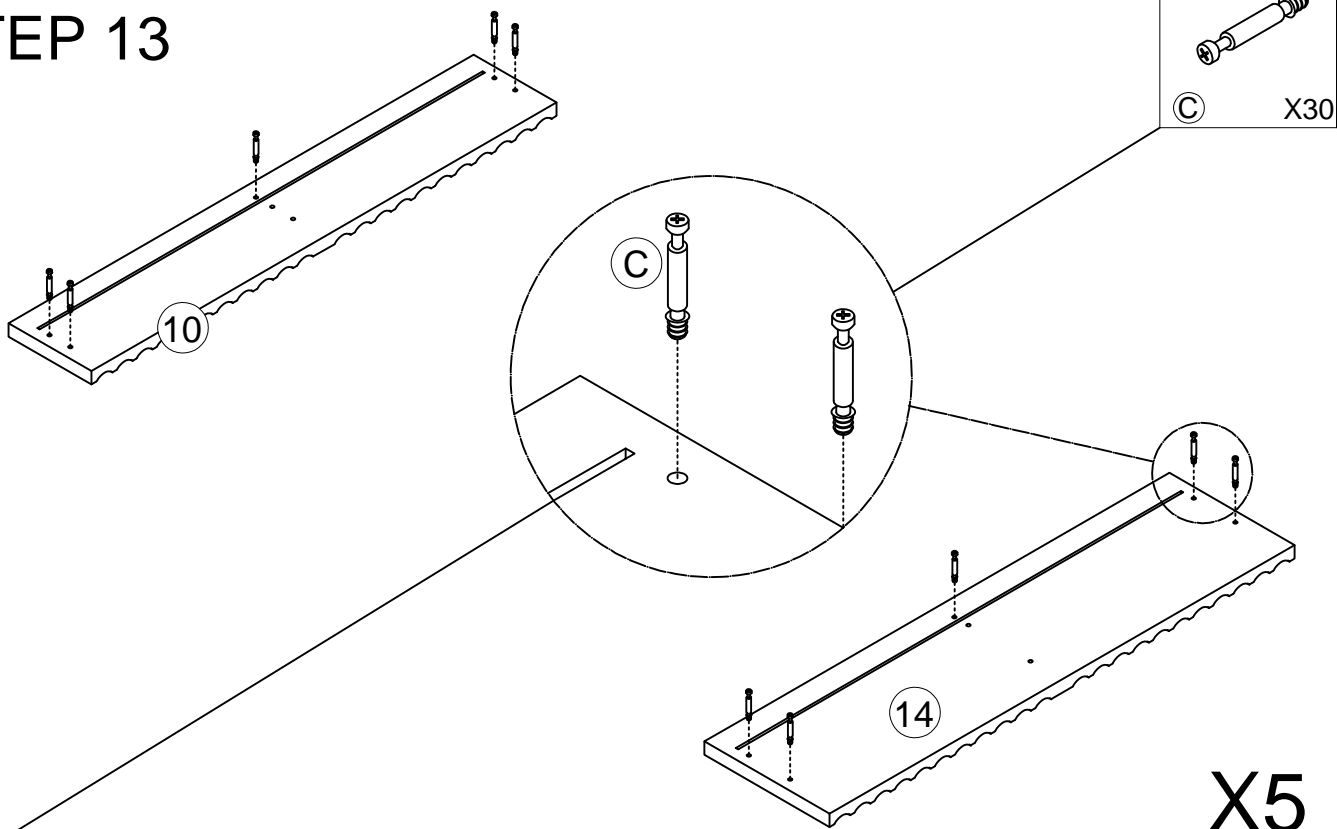
X5

STEP 12



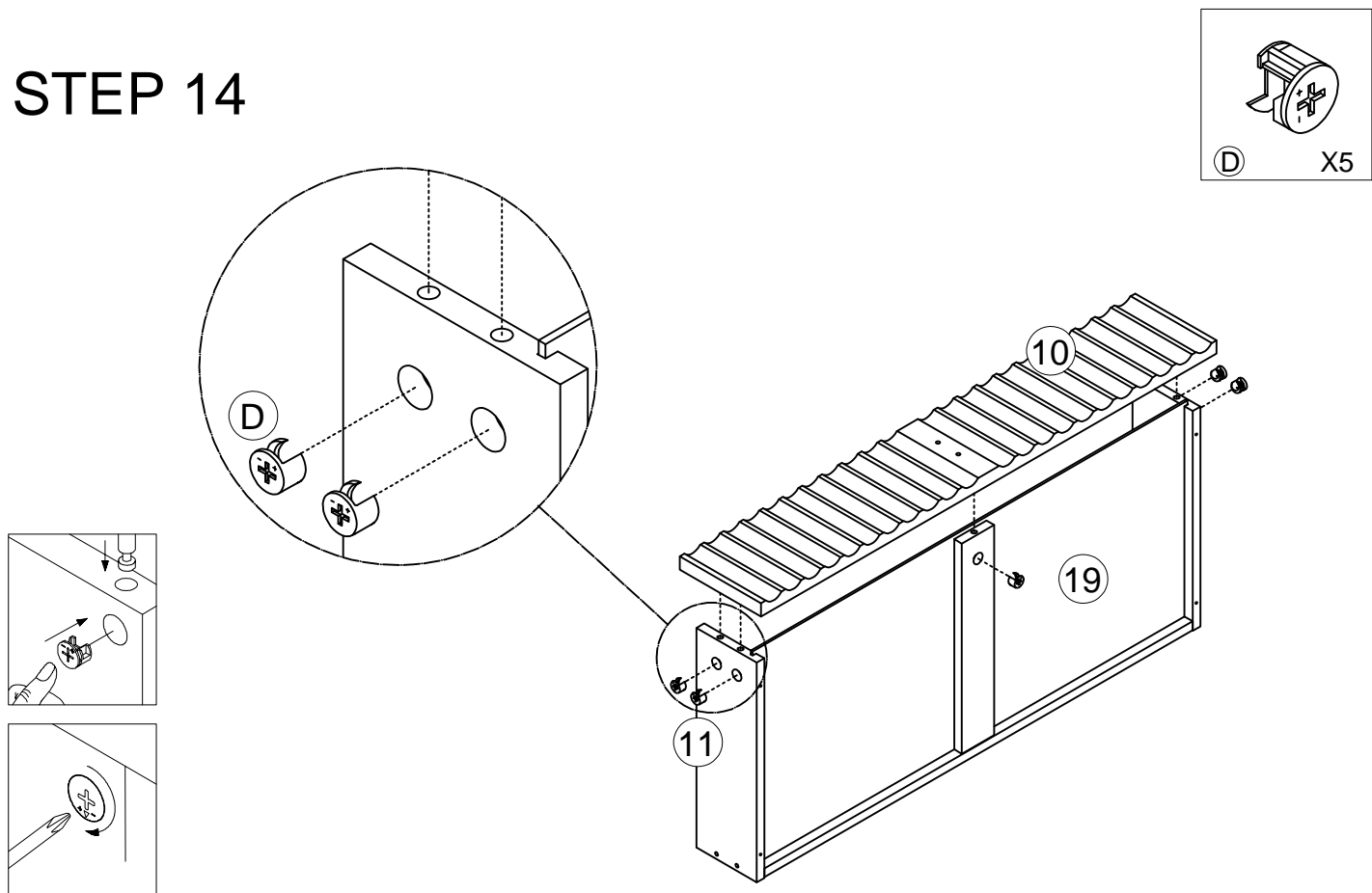
X5

STEP 13

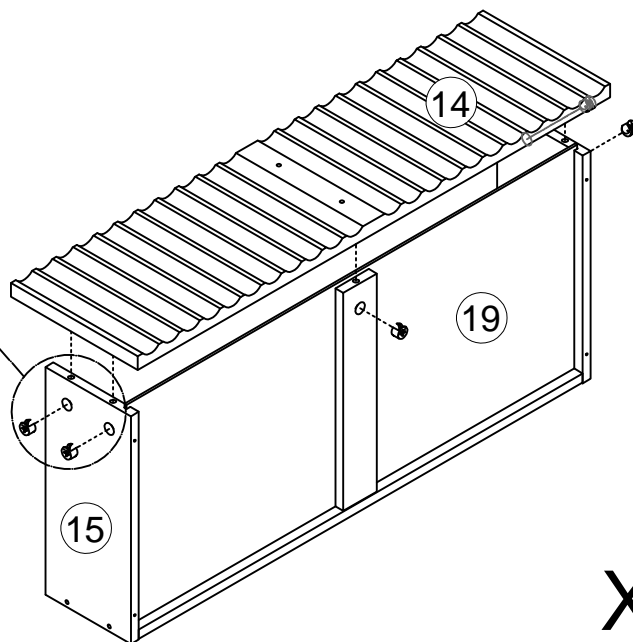
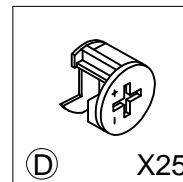
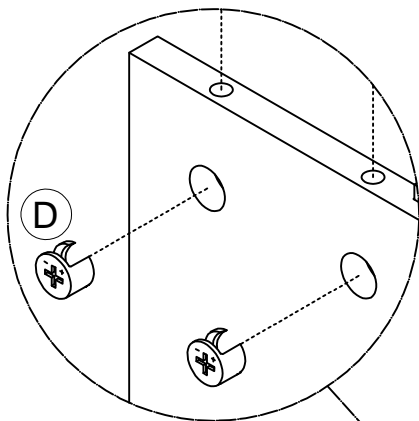
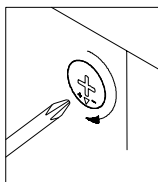
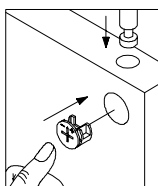


X5

STEP 14

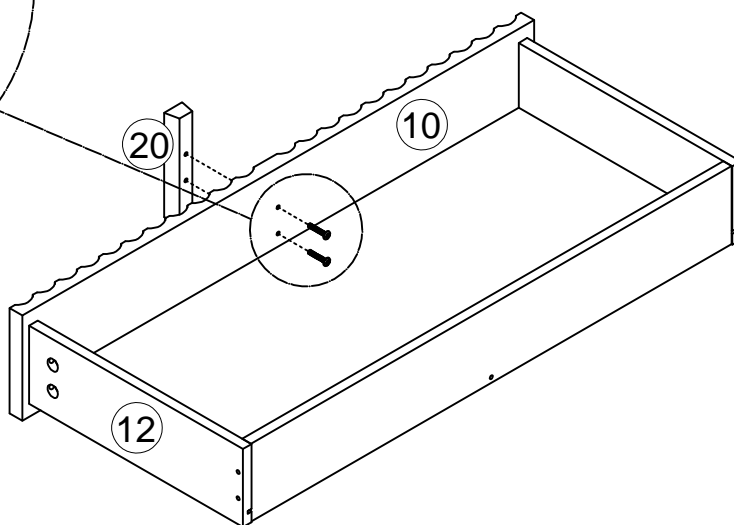
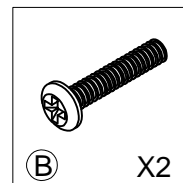
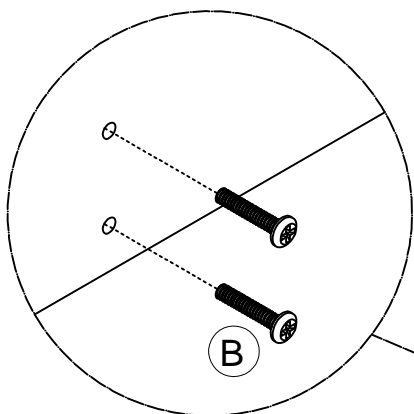


STEP 15

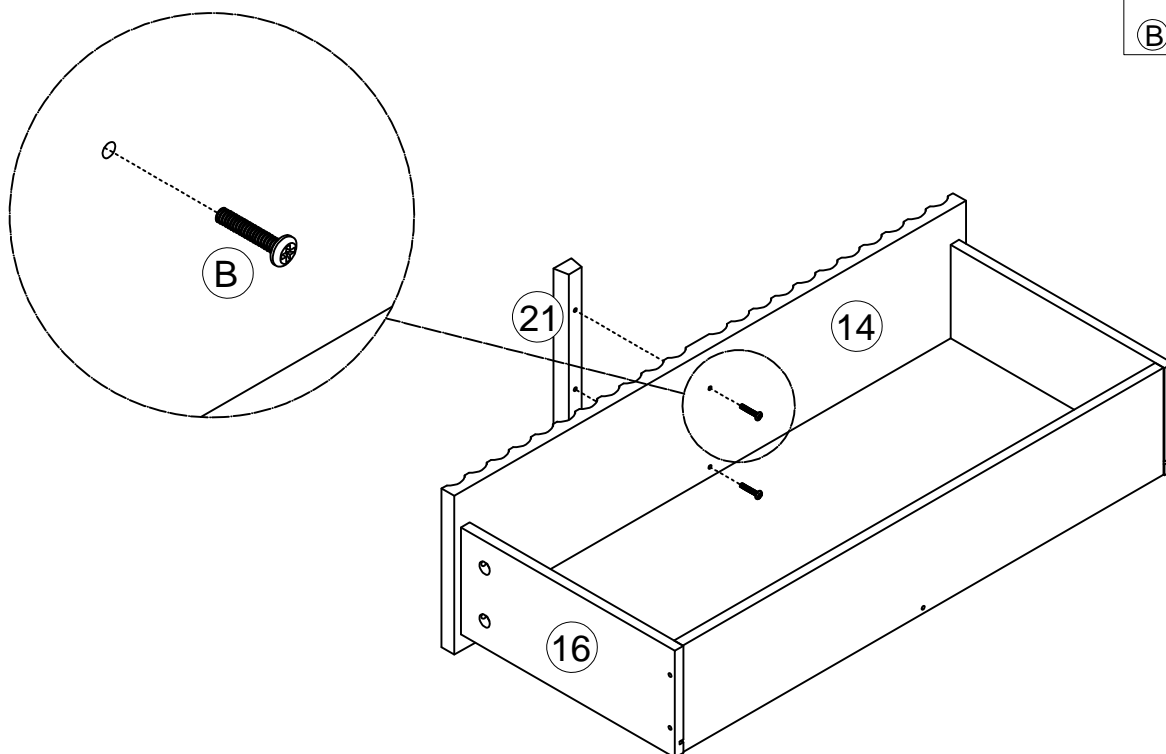
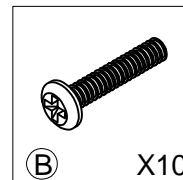


X5

STEP 16

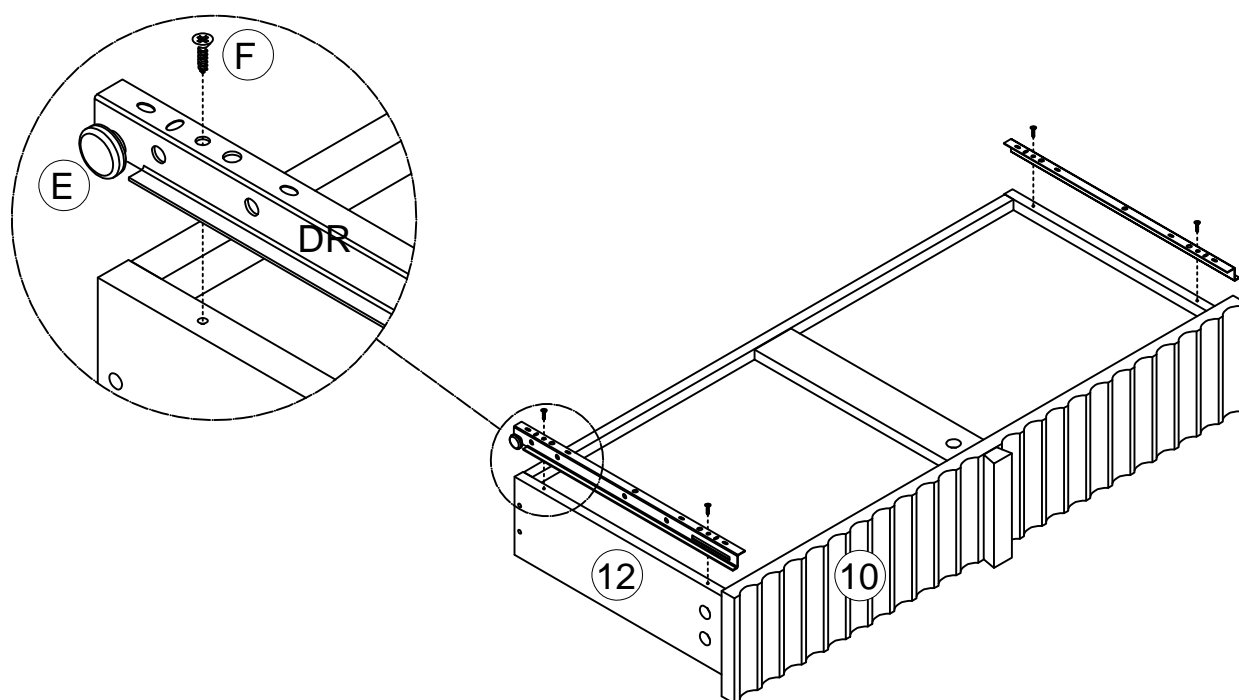
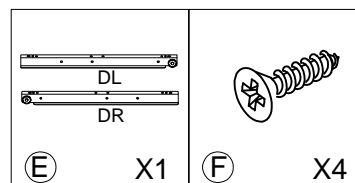


STEP 17

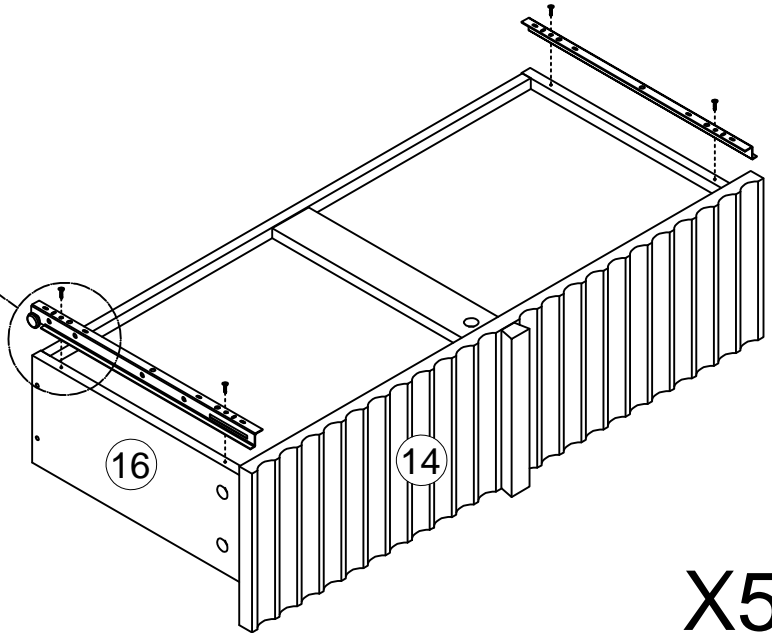
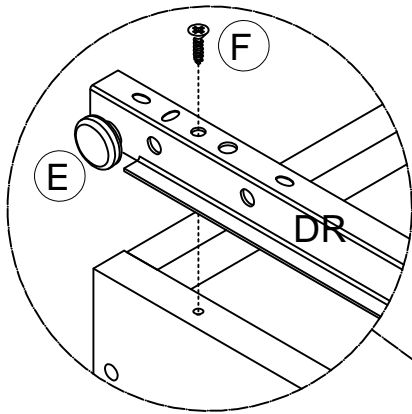
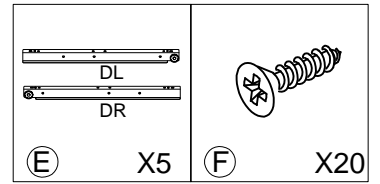


X5

STEP 18

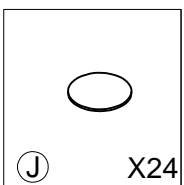
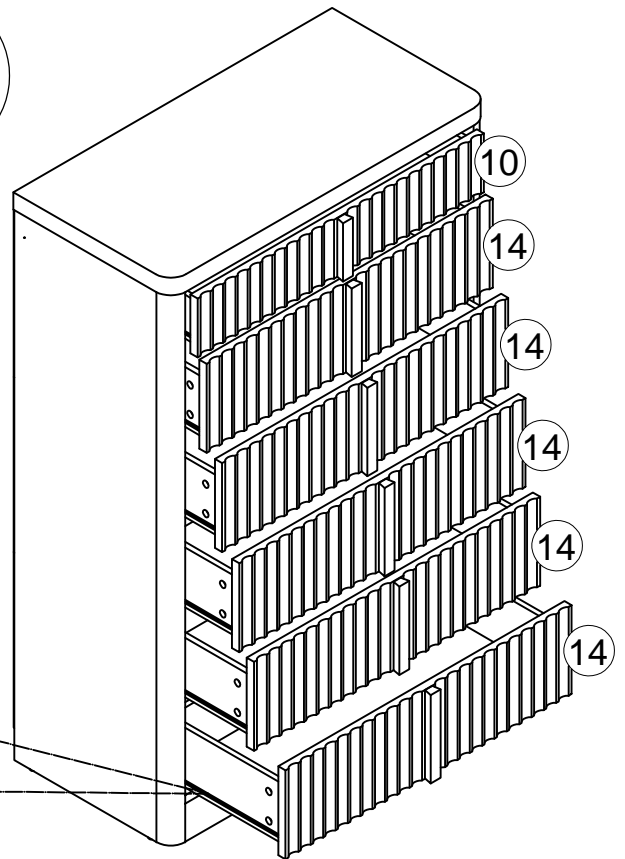
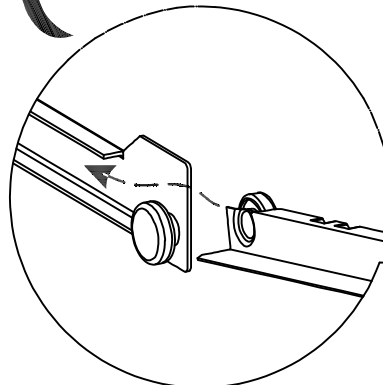
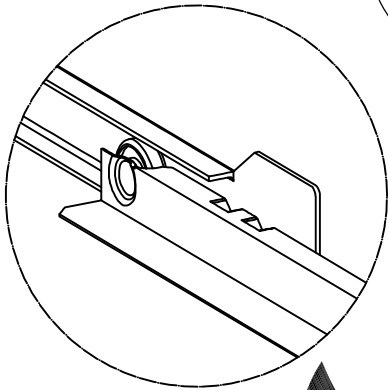
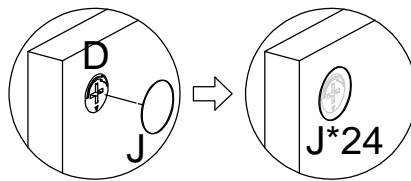


STEP 19

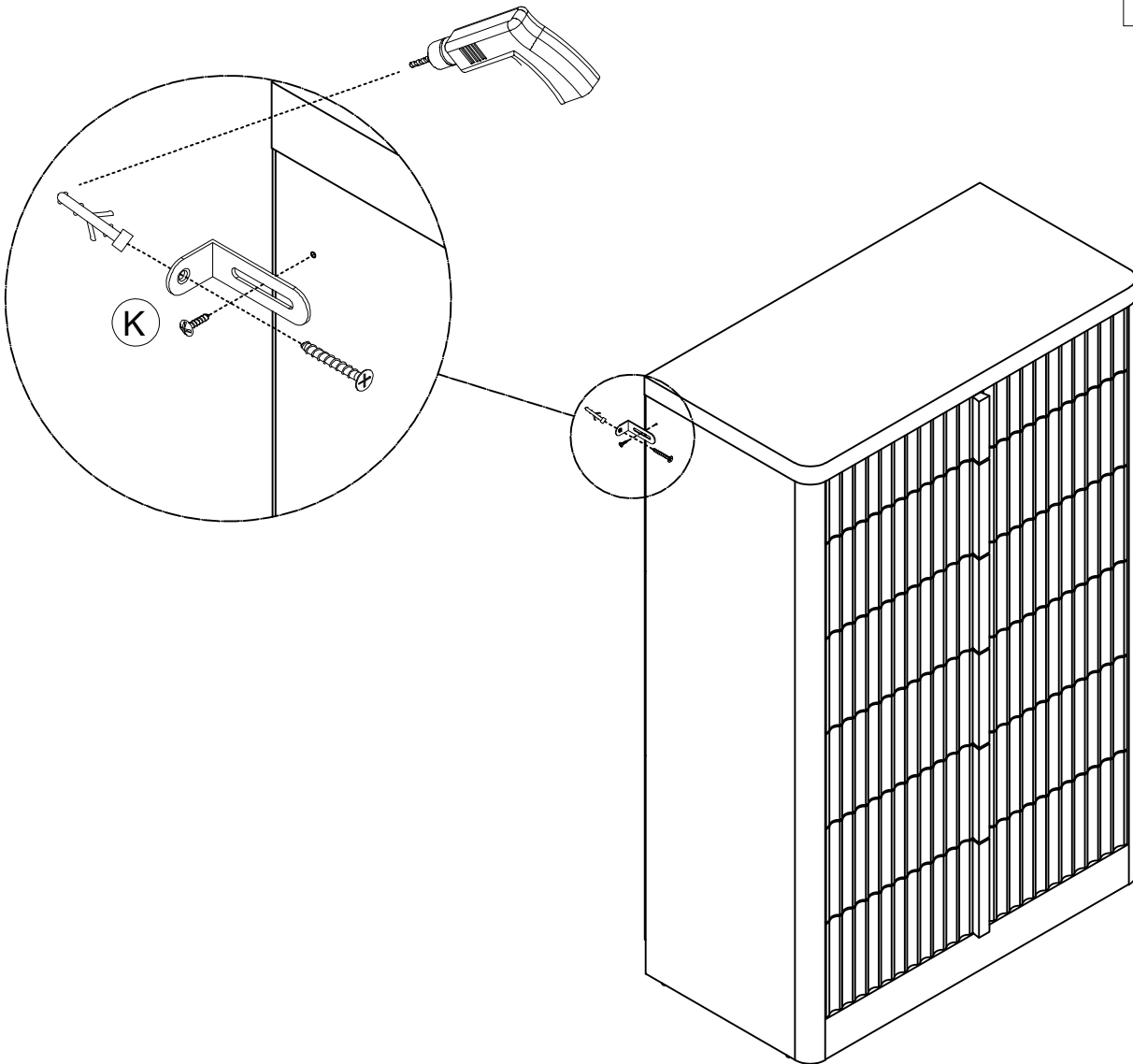
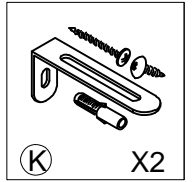


X5

STEP 20



STEP 19



▲ WARNING



Children have died from furniture tipover. To reduce the risk of furniture tipover:

- ALWAYS install anti-tip device provided.
- NEVER put a TV on this product.
- NEVER allow children to stand, climb or hang on any drawers, doors, or shelves.
- NEVER open more than one drawer at a time.
- Place heaviest items in the lowest drawers. This is a permanent label. Do not remove!

