











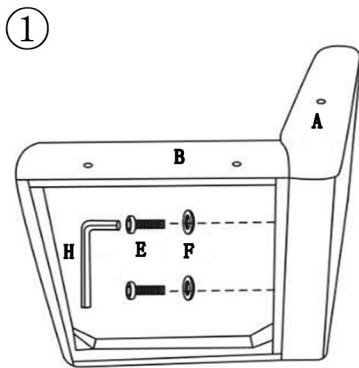


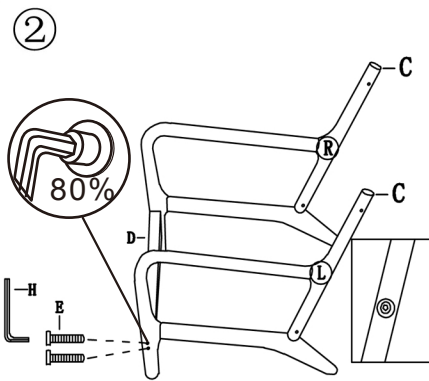
ASSEMBLY INSTRUCTIONS

CODE	PARTS	QTY.
A		1
B		1
C		2
D		1

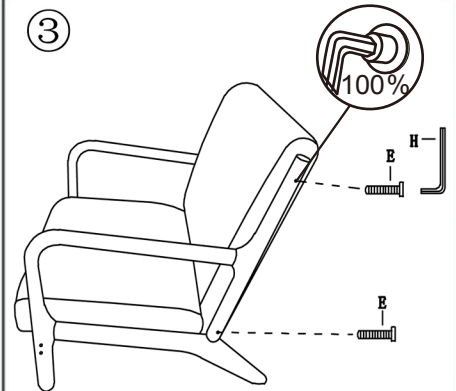
CODE	PARTS	QTY.
E	 M8x60mm	10
F		2
G		8
H		1
I		4
J	 M8x60mm EXTRA PARTS	2
K	 EXTRA PARTS	2
L	 EXTRA PARTS	2



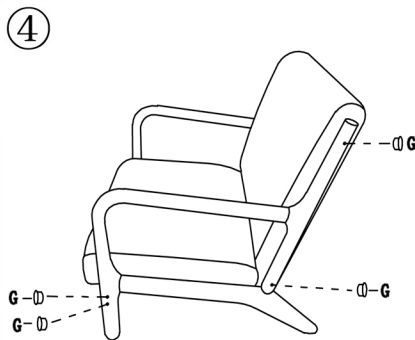
Align the seat cushion with the screw hole of the backrest and install the screws



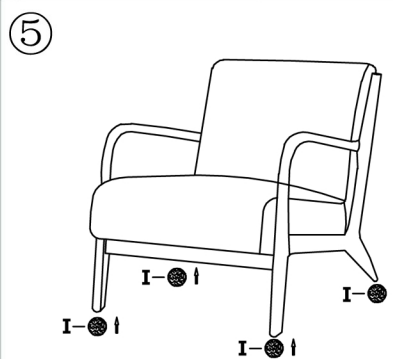
Align the rung with the hole of the armrests, and then install the screws



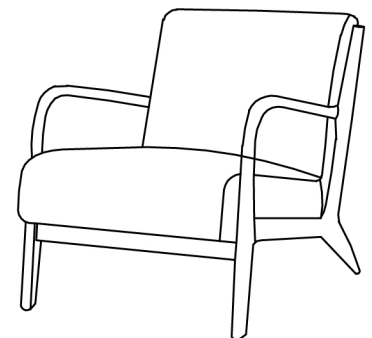
Align the hole positions of No.1 and No.2 parts and install screws



Put on the cap if necessary, but please pay attention to prevent children from swallowing



Install gaskets on chair legs



WARNING:

- DO NOT STAND ON THE CHAIRS
- THESE CHAIRS ARE DESIGNED TO SEAT ONE PERSON ONLY PER CHAIR
- DO NOT USE THE CHAIRS UNLESS ALL THE BOLTS AND SCREWS ARE FIRMLY TIGHTENED
- AT LEAST EVERY FOUR MONTHS, PLEASE CHECK ALL BOLTS AND SCREWS TO MAKE SURE THEY ARE SECURELY TIGHTENED
- IF ANY PARTS ARE MISSING, BROKEN, DAMAGED OR WORN, STOP USING THIS PRODUCT IMMEDIATELY UNTIL REPAIRS ARE MADE USING FACTORY AUTHORIZED PARTS
- FAILURE TO FOLLOW THESE WARNINGS COULD RESULT IN SERIOUS INJURY