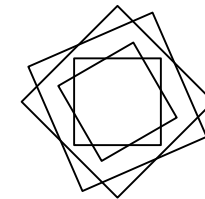
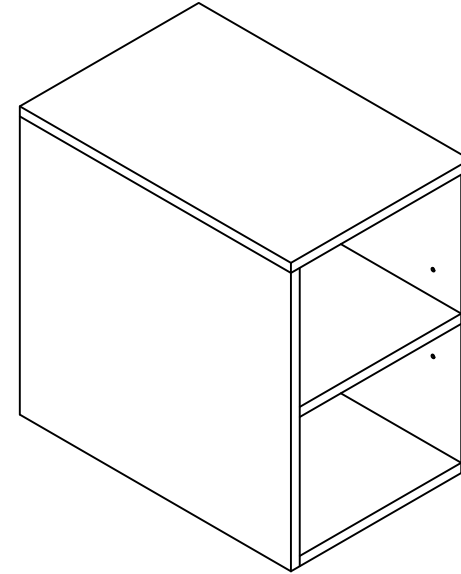


## THANKS FOR WATCHING

Your feedback is invaluable to us and we would love to hear about your experience. Please take the time to leave us a review.



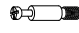







## Thank you for shopping with us!

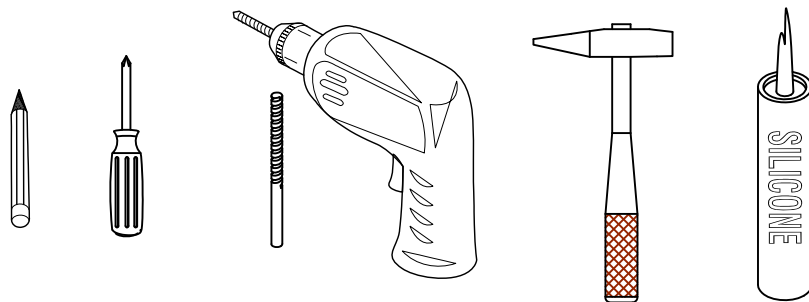
We encourage you to take a few minutes to go through this booklet. It contains important information on installation and care tips to keep your furniture looking as good as new.

Item NO.:BV C07412

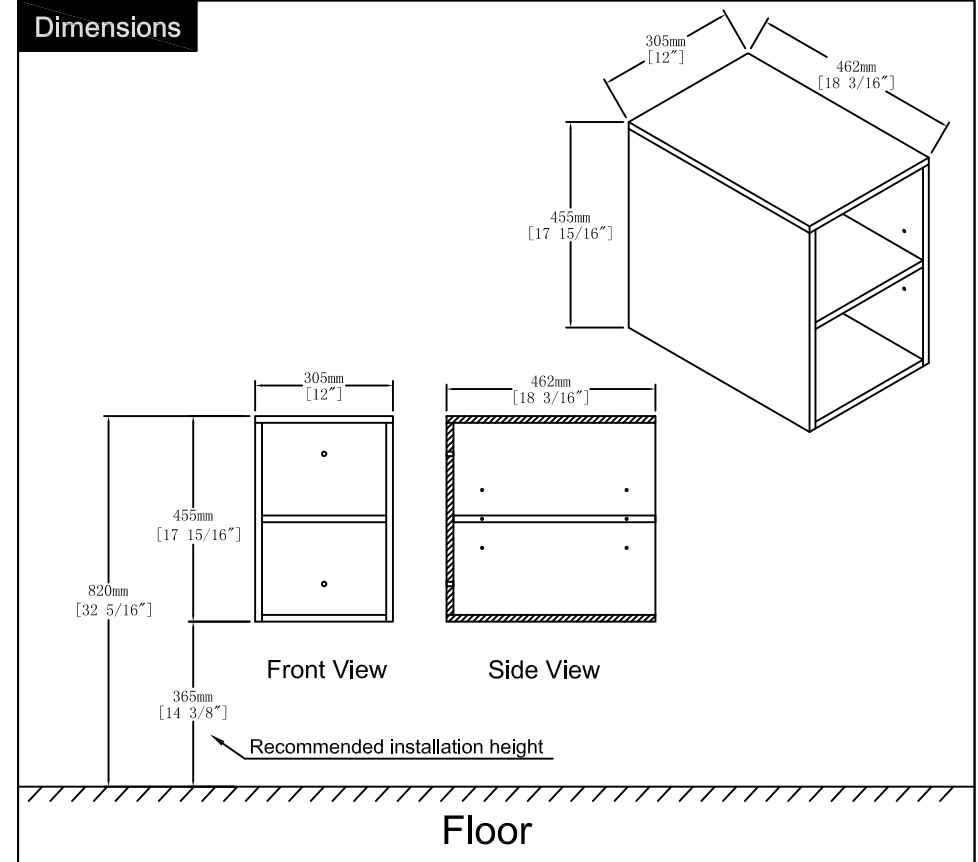
Hardware

NO.	Draw	QTY	NO.	Draw	QTY
A	 Screws	4	E	 Plastic anchor(Ø10mm)	2
B	 Two-in-one connector	16	F	 Wall hanging screw decorative cover	2
C	 Two-in-one connector	16	G	 Screws for fix on the wall	2
D	 Wood plug	4	H	 Screwdriver	1

Recommended tools

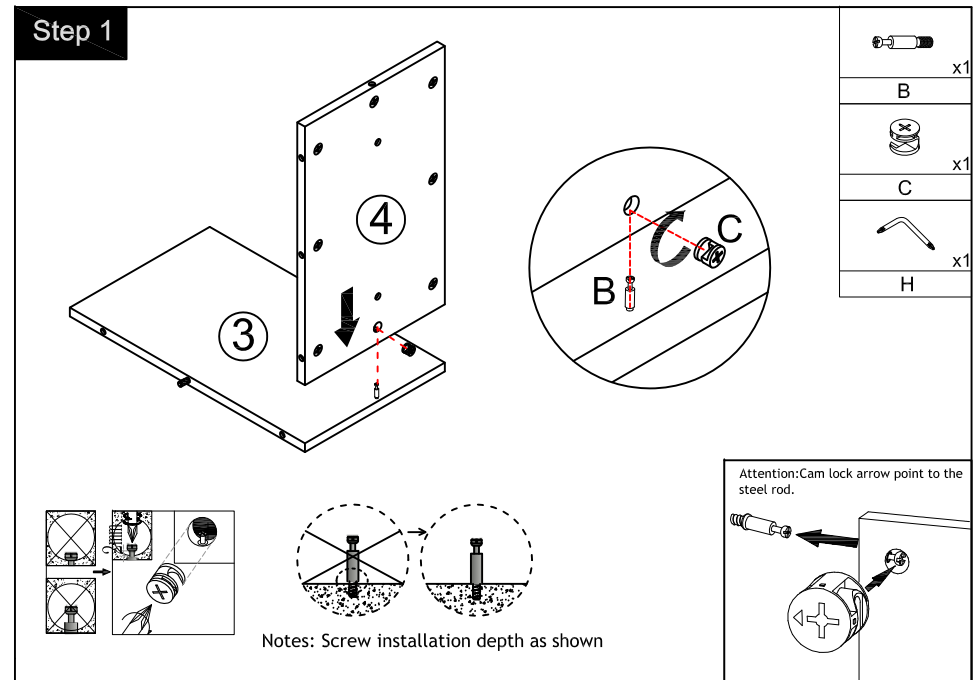
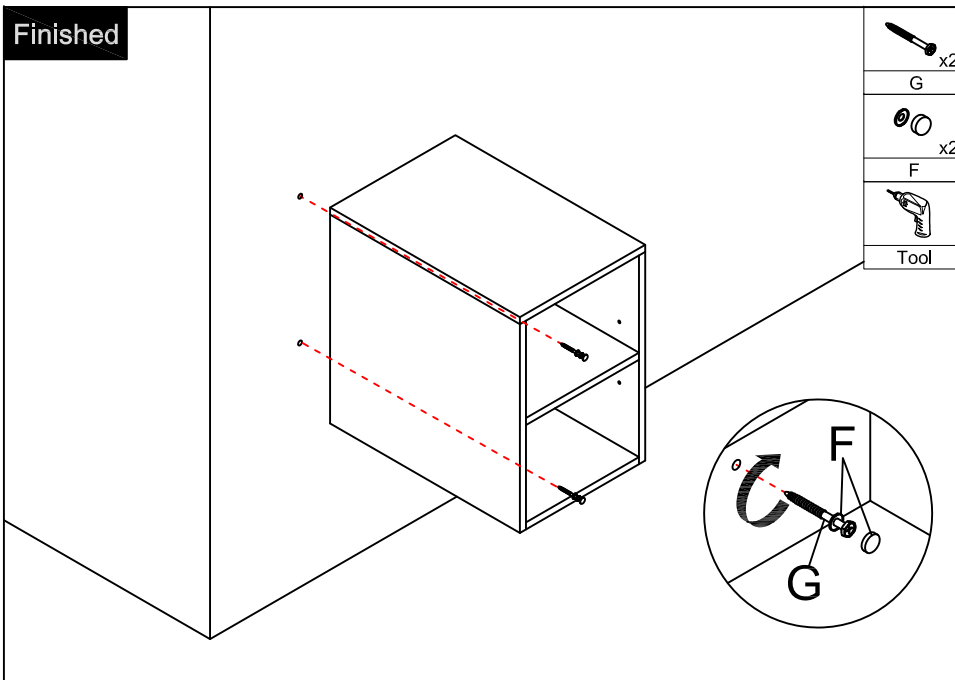
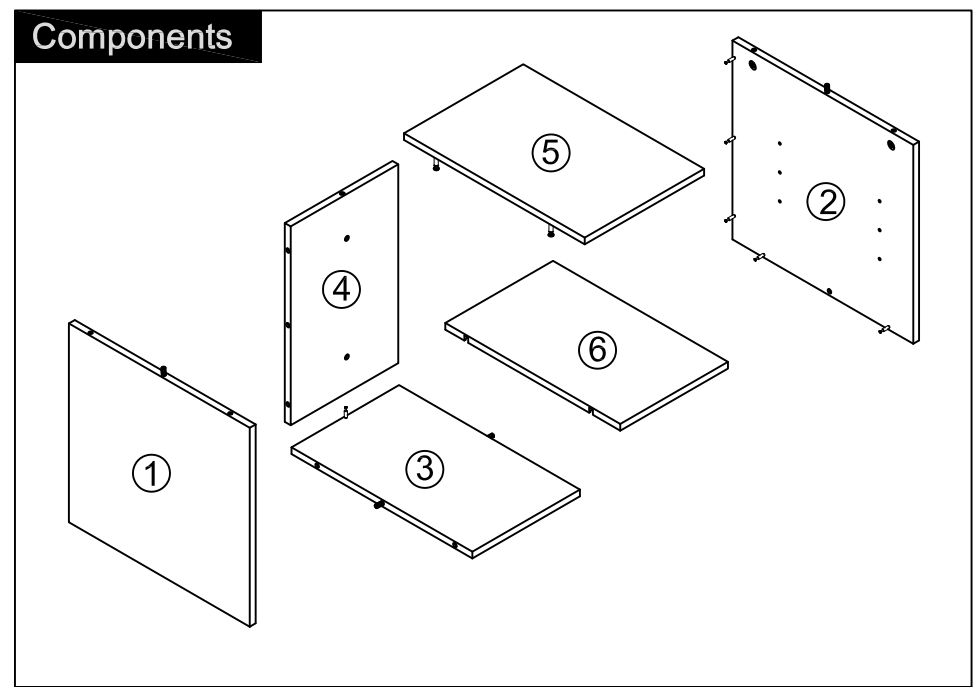
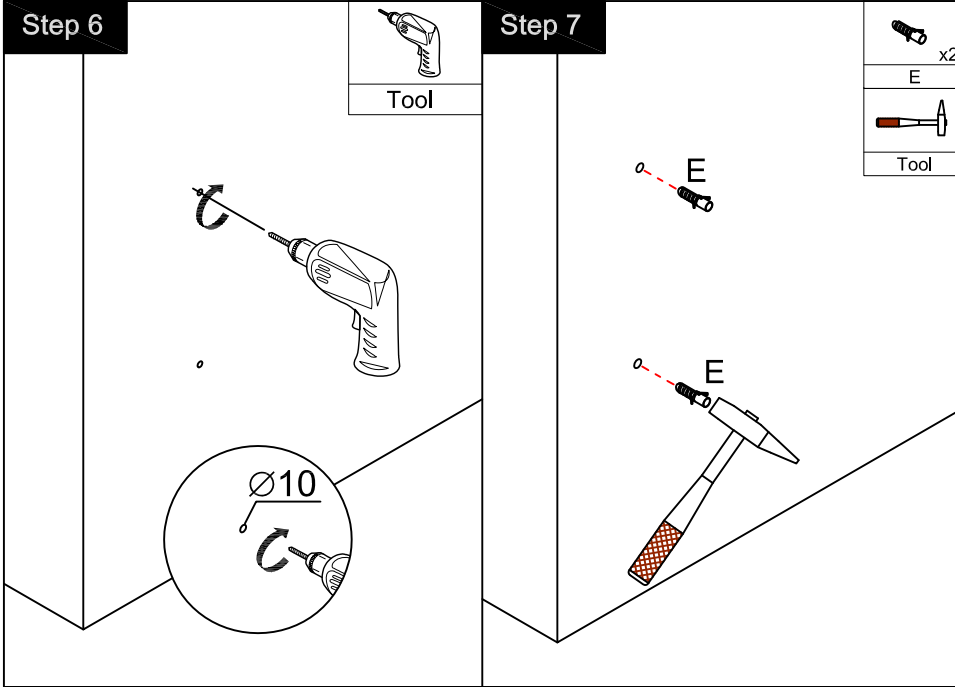


Dimensions

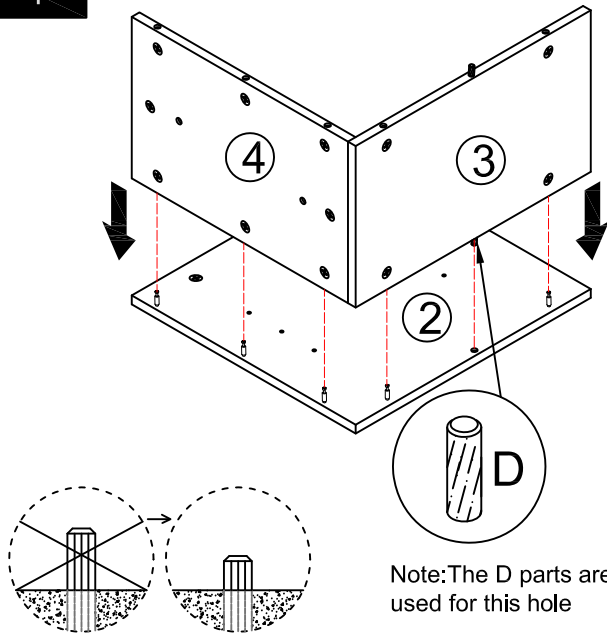


CARE CLEANING AND MAINTENANCE

1. Dust regularly with a soft , dry cloth.
2. Avoid the use of all chemicals household cleaners, abrasives, or cleaners that contain lemon, vinegar, or other acids that may damage the finish.
3. Excessive exposure to sunlight and extreme changes in temperature and moisture can damage wood furniture.
4. The sink top is resilient, but care needs to be taken to preserve its appearance.
5. Do not place hot appliances, such as curling irons and hot hair dryers directly on the countertop. Wipe spills immediately.

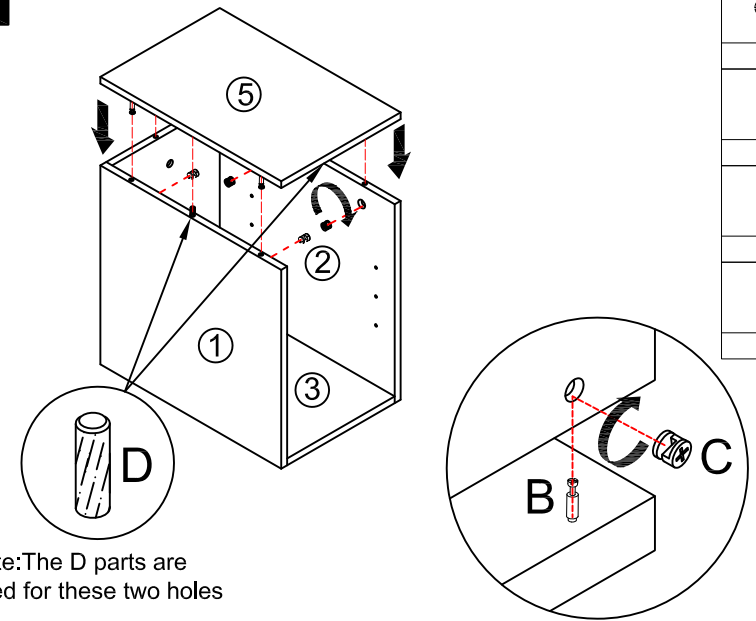


### Step 2



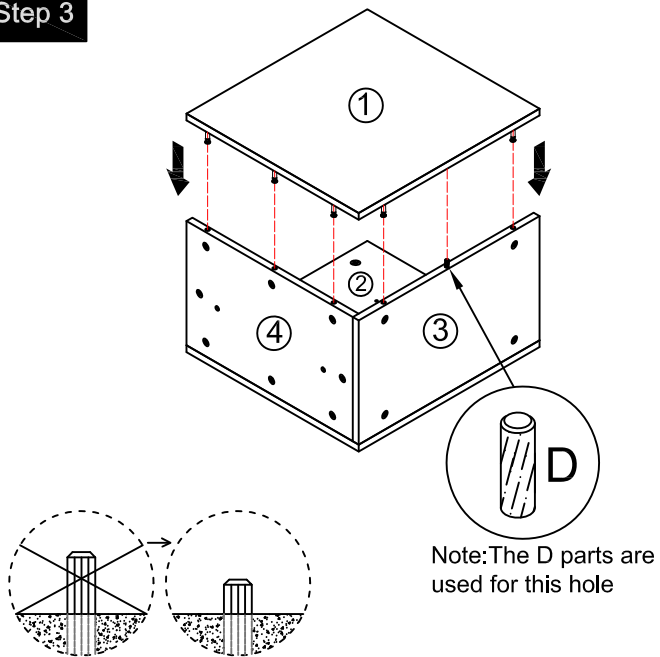
	x5
B	
	x5
C	
	x1
D	
	x1
H	

### Step 4



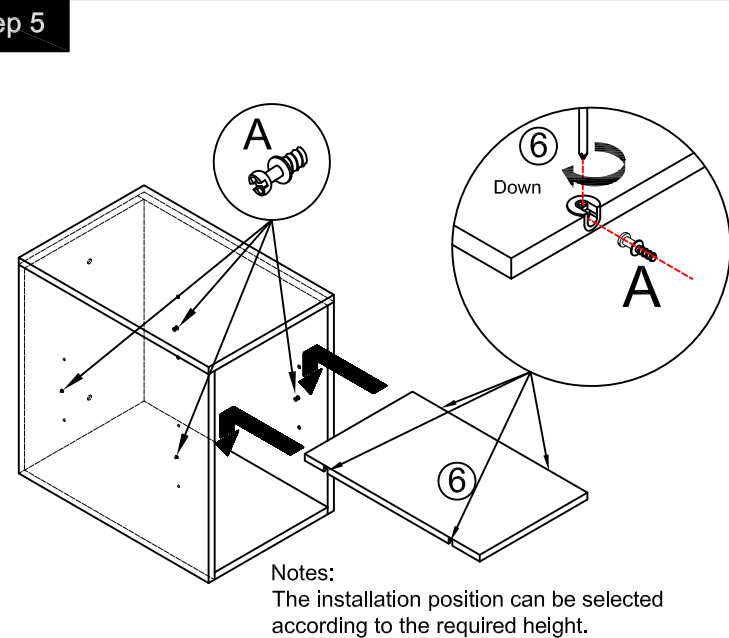
	x5
B	
	x5
C	
	x2
D	
H	

### Step 3



	x5
B	
	x5
C	
	x1
D	
	x1
H	

### Step 5



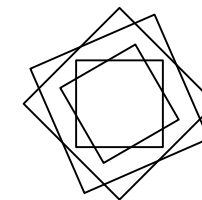
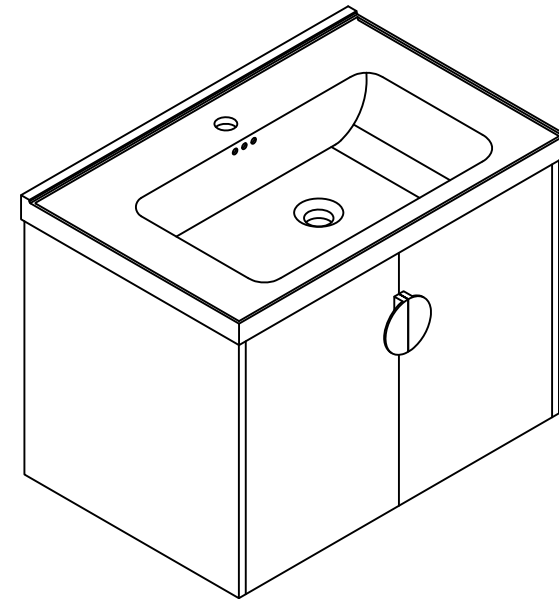
	x4
A	

**Installation Manual-** BV C06324  
BV C06328

**MOTIVATE  
YOUR LIFE !**

## THANKS FOR WATCHING

Your feedback is invaluable to us and we would love to hear about your experience. Please take the time to leave us a review.











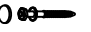




## Thank you for shopping with us!

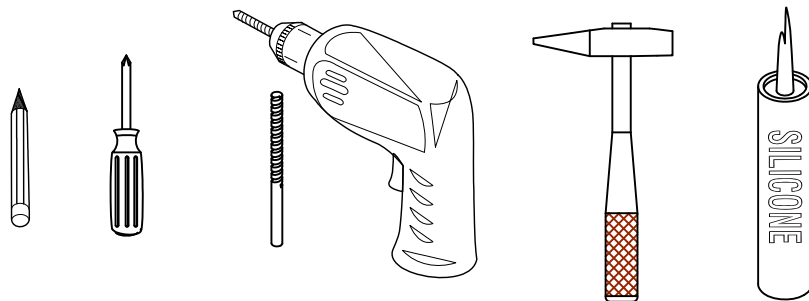
We encourage you to take a few minutes to go through this booklet. It contains important information on installation and care tips to keep your furniture looking as good as new.

# Item NO.:BV C06324 / BV C06328

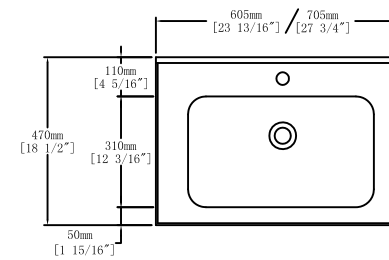
## Hardware

NO.	Draw	QTY	NO.	Draw	QTY
A	 Screws Ø4x14mm	44	I	 Hinges	4
B	 Two-in-one connector	17	J	 Handles	2
C	 Two-in-one connector	17	K	 Screws M4x18mm	4
D	 Wood plug	4	L	 Anti-collision gasket	4
E	 Plastic anchor(Ø10mm)	4	M	 Screwdriver	1
F	 Screws for fix on the wall	4			
G	 Bracket (53x70x44mm)	2			
H	 Bracket (19x19x35mm)	2			

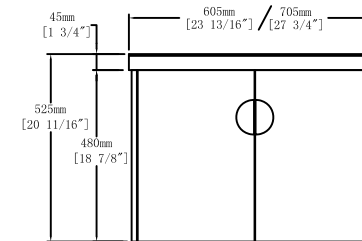
## Recommended tools



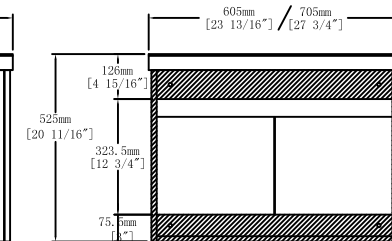
## Dimensions



Top View



Front View

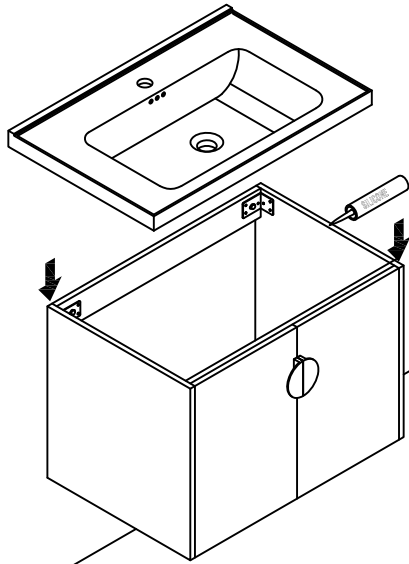


Back View

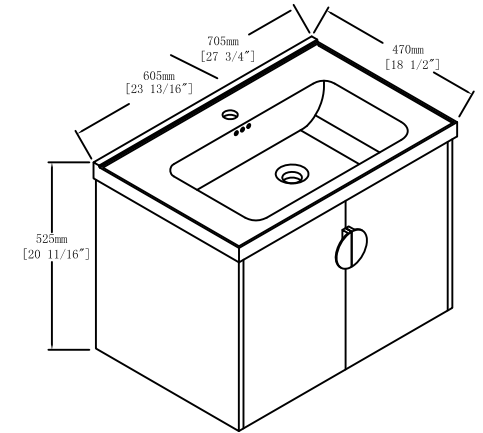
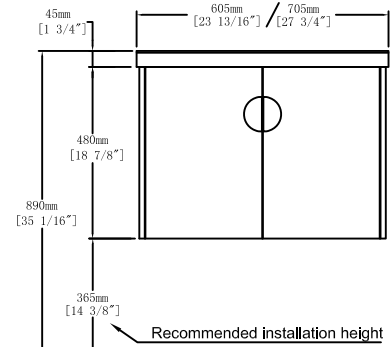
## CARE CLEANING AND MAINTENANCE

1. Dust regularly with a soft , dry cloth.
2. Avoid the use of all chemicals household cleaners, abrasives, or cleaners that contain lemon, vinegar, or other acids that may damage the finish.
3. Excessive exposure to sunlight and extreme changes in temperature and moisture can damage wood furniture.
4. The sink top is resilient, but care needs to be taken to preserve its appearance.
5. Do not place hot appliances, such as curling irons and hot hair dryers directly on the countertop. Wipe spills immediately.

### Step 13



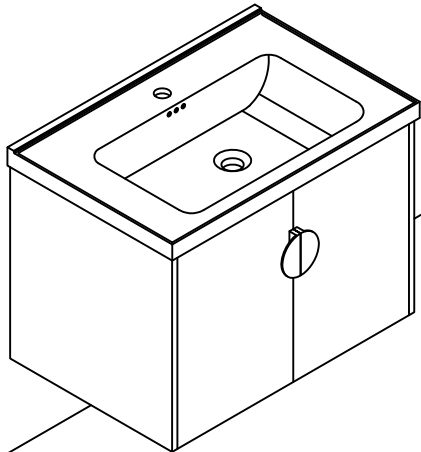
### Dimensions



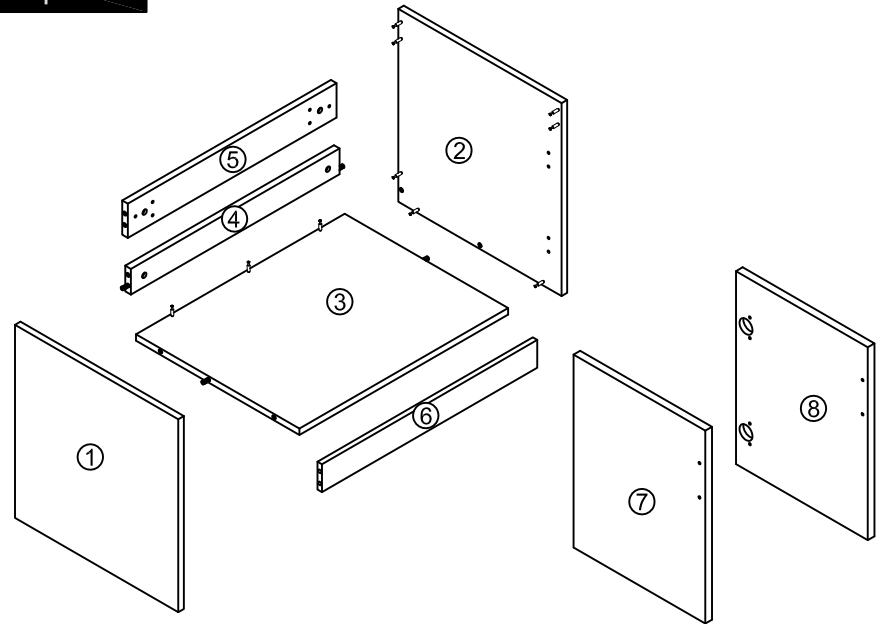
Recommended installation height

Floor

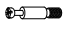

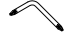
### Finished

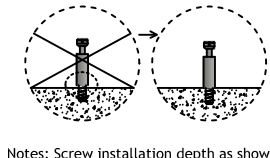
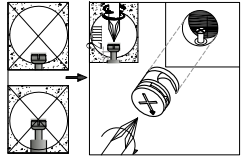
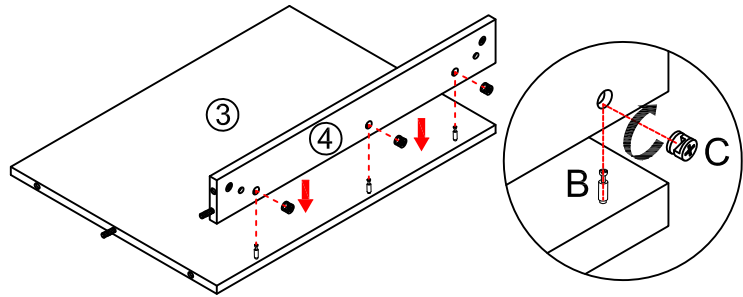


### Components

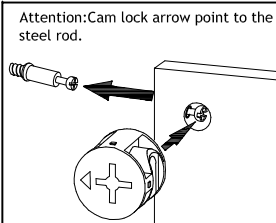


### Step 1

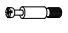


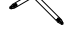
-  x3
-  x3
-  x1

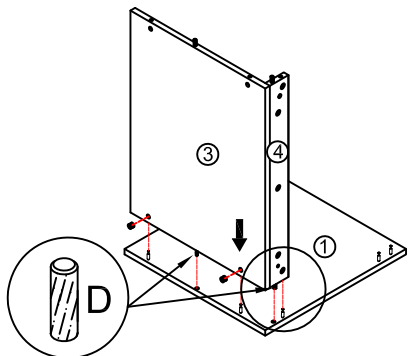
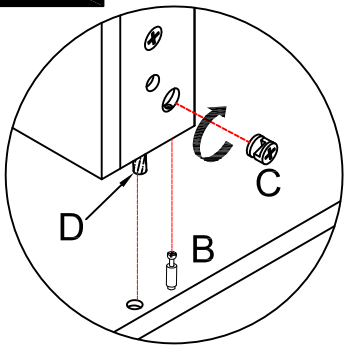


Notes: Screw installation depth as shown

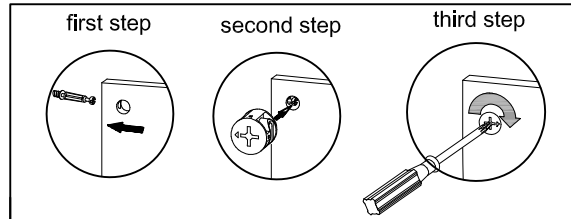
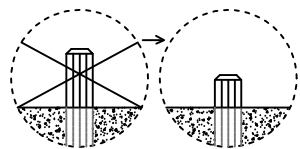


### Step 2



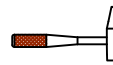
-  x3
-  x3
-  x2
-  x1

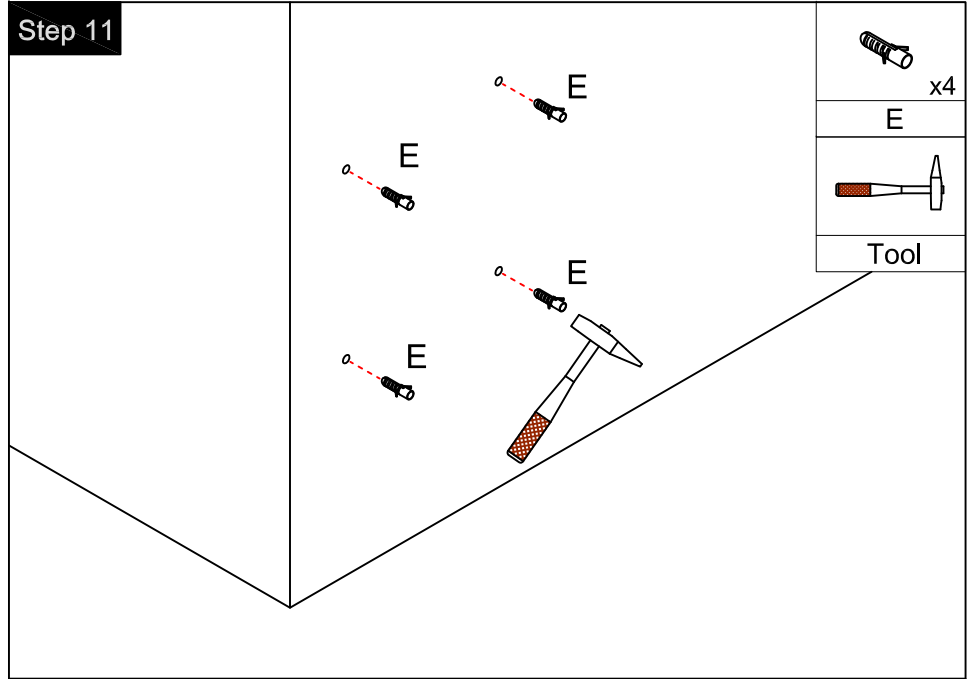


Note: The D parts are used for these two holes

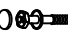




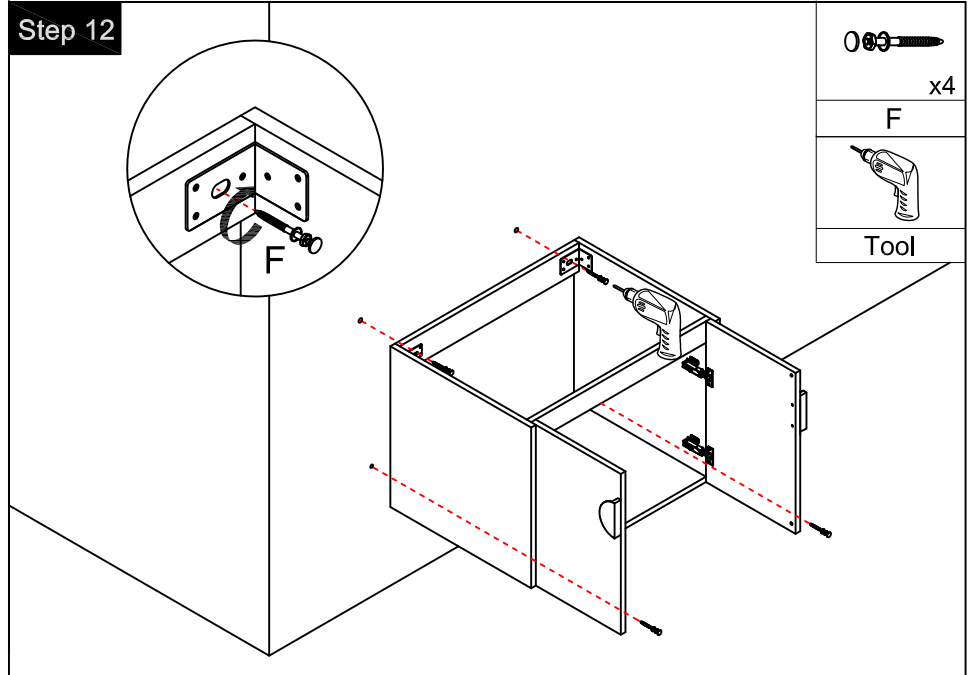
### Step 11

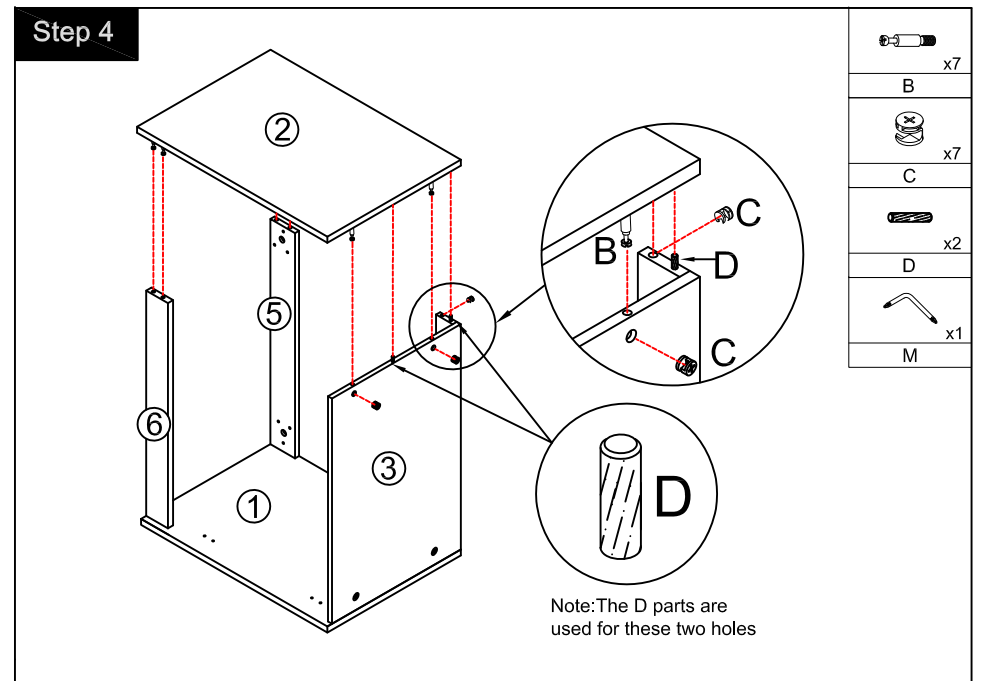
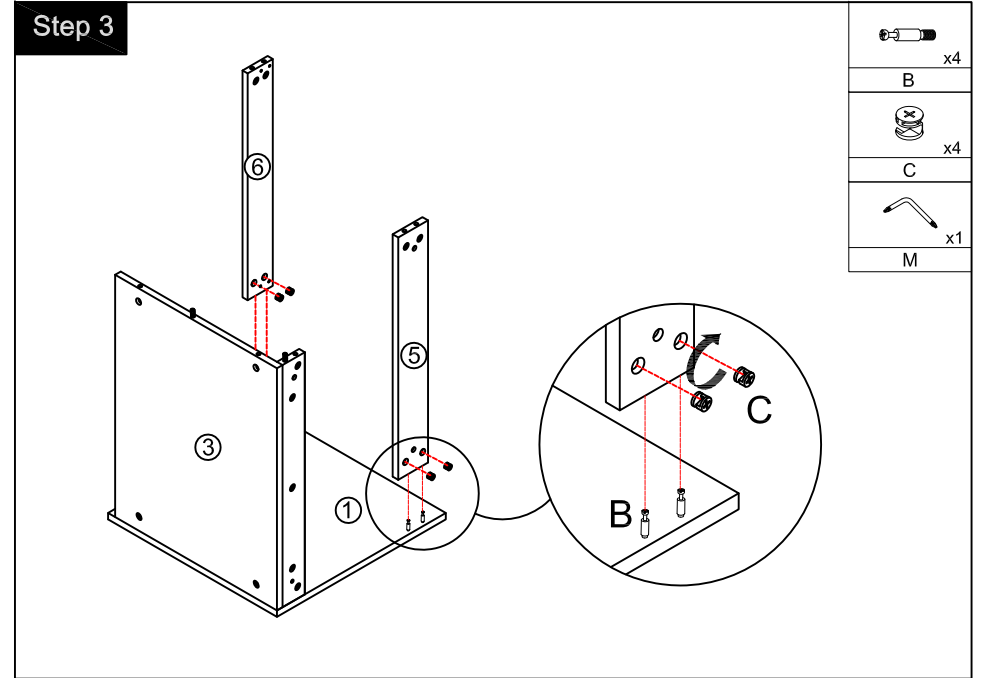
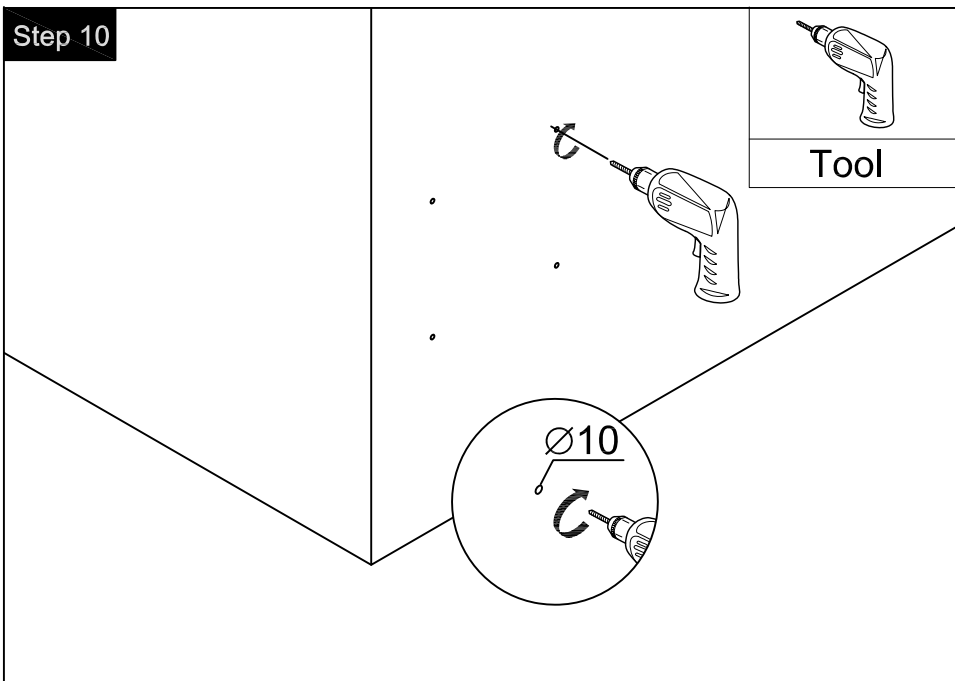
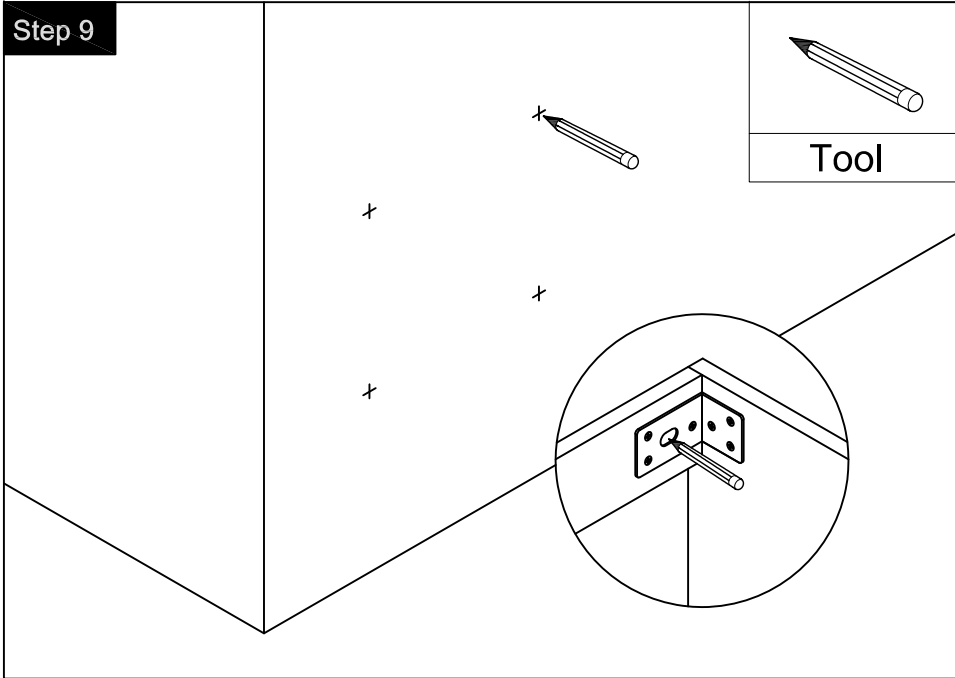
-  x4
- 
- 
- Tool



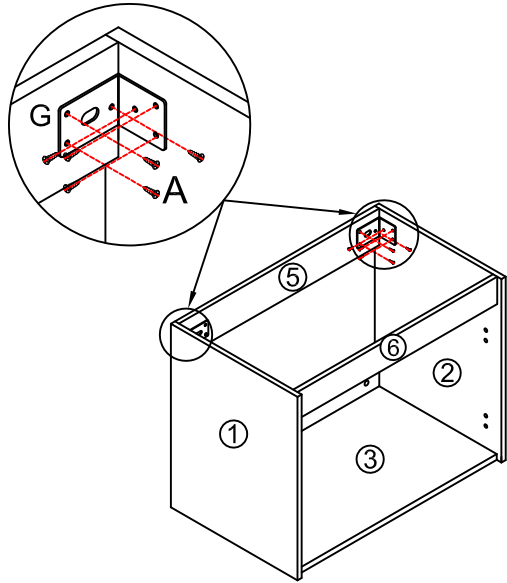
### Step 12




-  x4
- 
- 
- Tool



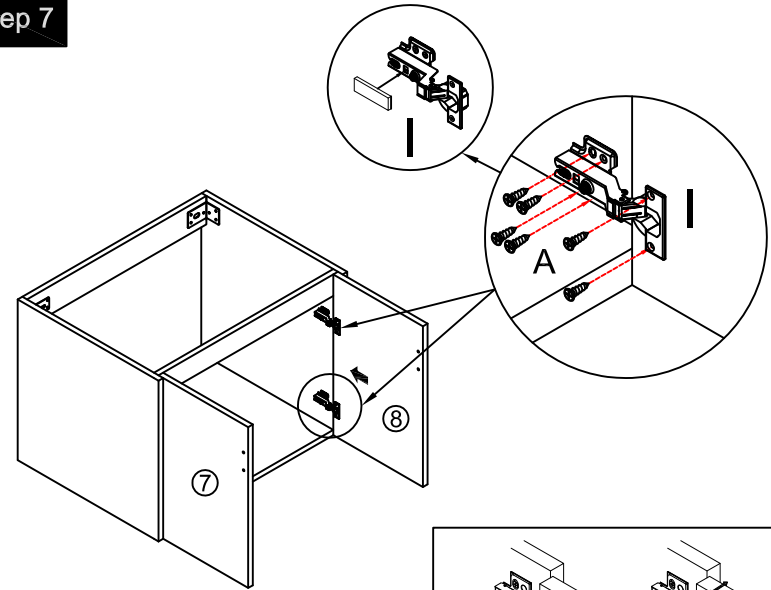





### Step 5



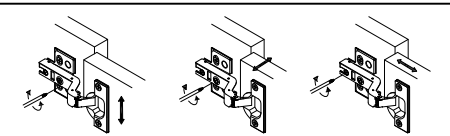
	x2
G	
( $\varnothing 4 \times 14\text{mm}$ )	
	x12
A	
	
Tool	

### Step 7

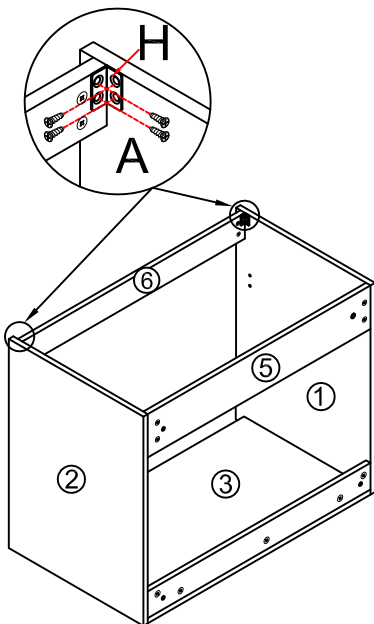





	x4
I	
( $\varnothing 4 \times 14\text{mm}$ )	
	x24
A	
	
Tool	

You can adjust the doors by tightening or loosening the screws on the hinge. →

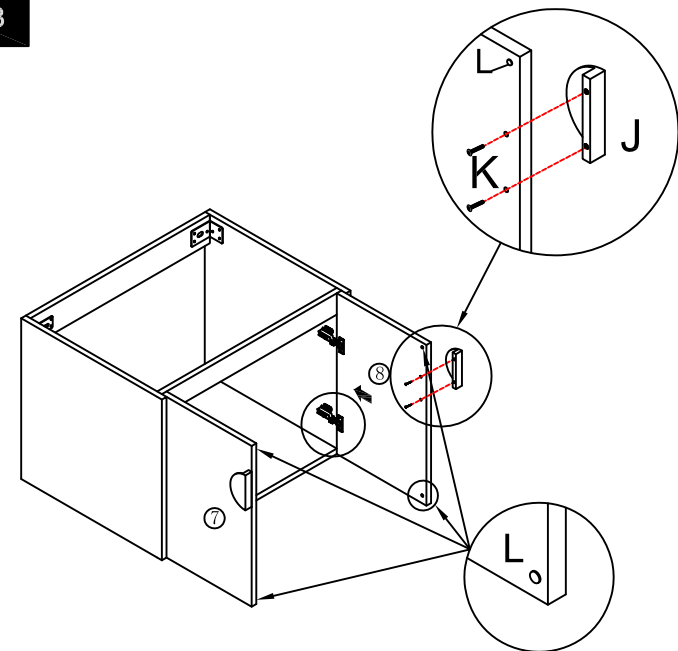





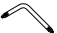
### Step 6



	x2
H	
( $\varnothing 4 \times 14\text{mm}$ )	
	x8
A	
	
Tool	

### Step 8



	x2
J	
(M4 x 18mm)	
	x4
K	
	x4
L	
	
M	