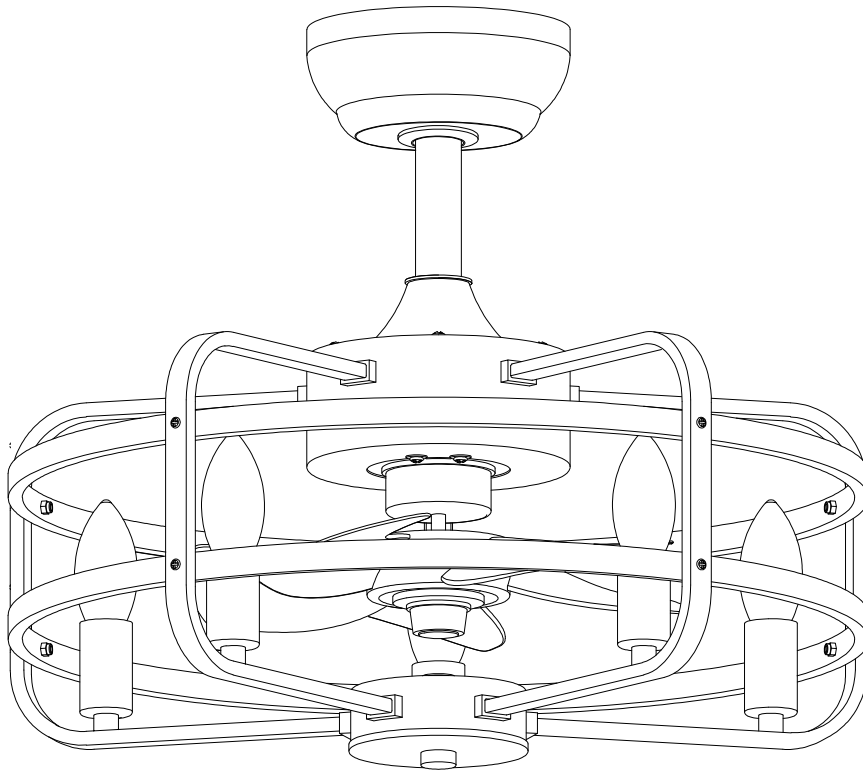


INSTALLATION MANUAL

CEILING FAN WITH LIGHTS

Model No.: CFL-1251-01



Scan for Installation Video

Safety Rules

1. Be sure the power to the wires you are working on is disconnected, either the fuse is removed or the circuit breaker is turned off. Turning the power off using the light switch is not sufficient to prevent electrical shock.
2. A qualified licensed electrician is required for the installation.
3. The outlet box and support structure must be securely mounted and capable of reliably /supporting a minimum of 70 pounds. Use only UL (cUL for Canadian Installation) listed mounting boxes marked "FOR FAN SUPPORT".
4. The fan must be mounted with a minimum of 7 feet clearance from the trailing edge of the blades to the floor.
5. Do not operate reversing switch while fan blades are in motion (if applicable). Fan must be turned off and blades stopped before reversing blade direction.
6. Do not place any objects in the path of the blades.
7. To avoid personal injury or damage to the fan and other items, be cautious when working around or cleaning the fan.
8. Do not use water or detergents when cleaning the fan or fan blades. A dry dust cloth or lightly dampened soft cloth will be suitable for the cleaning.
9. After marking electrical connections, spliced conductors should be turned upward and pushed carefully up into outlet box. The wires should be spread apart with the grounded conductor on one side of the outlet box.
10. Electrical diagrams are reference only, different fan light may have different light shade and bulbs.
11. Use only our replacement parts.

This equipment has been tested and found to comply with the limits for a class B digital device, pursuant to part 15 of the FCC Rules.

These limits are to provide reasonable protection against harmful interference in a residential installation.

This equipment generates, uses and can radiate radio frequency energy and if not installed and used in accordance with the instructions may cause harmful interference to radio communications.

Warning:

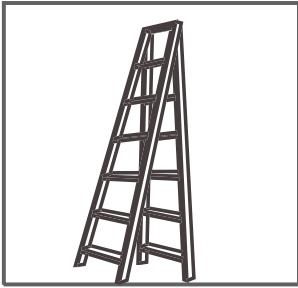
To reduce the risk of personal injury, use only the two steel screws and washers provided with the outlet box for mounting to the outlet box. Most outlet boxes commonly used for the support of lighting fixtures are not acceptable for fan support and need to be replaced, consult a qualified electrician if in doubt.

To reduce the risk of fire, electric shock or person injury, mount fan to outlet box marked "acceptable for fan support".

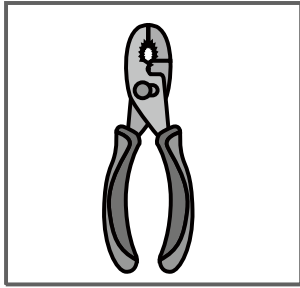
To reduce the risk of personal injury, do not bend the blade brackets (also referred to as flanges) during assembly or af-ter installation. Do not insert objects in the path of the blades.

Installation Preparation

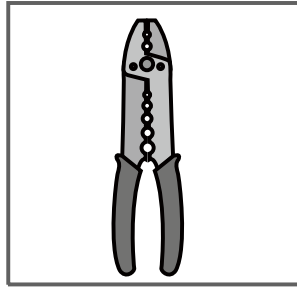
Tools You Need



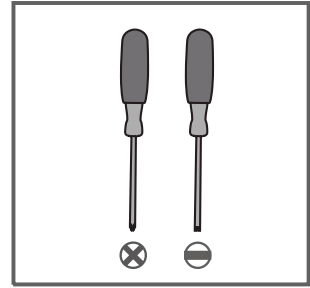
Ladder



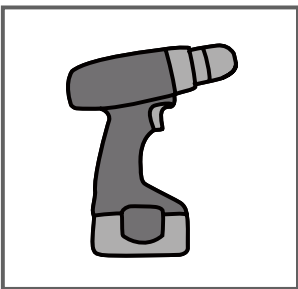
Pliers



Wire Strippers



Screwdrivers



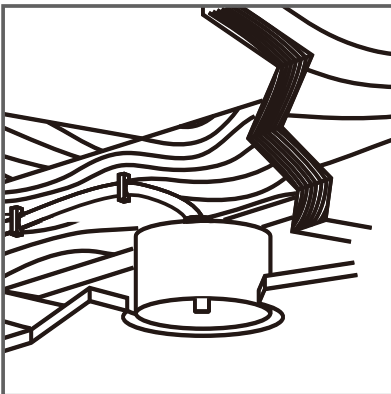
Power Drill
(optional)



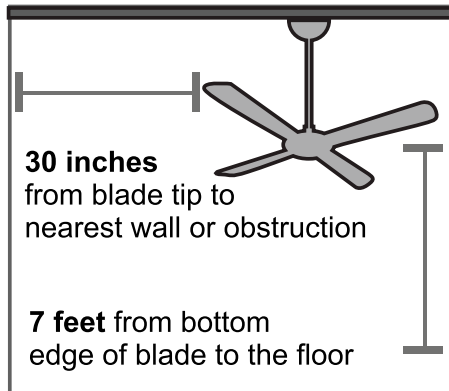
Drill Bit
(optional)

If mounting to a support structure, you will also need the optional tools.

What to Expect with Your Installation



Must be able to secure the fan to building structure or fanrated outlet box

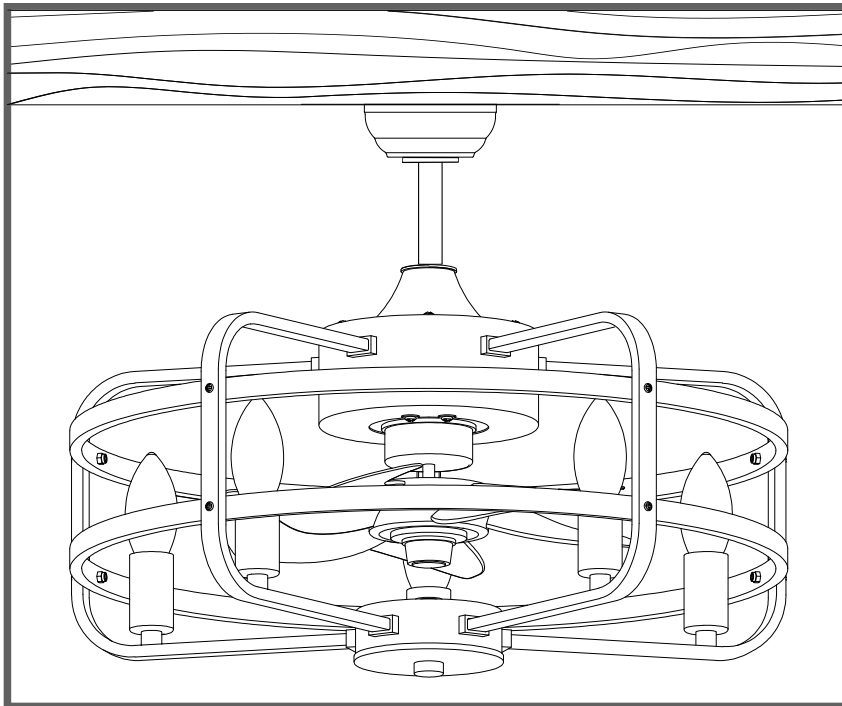


Assess location

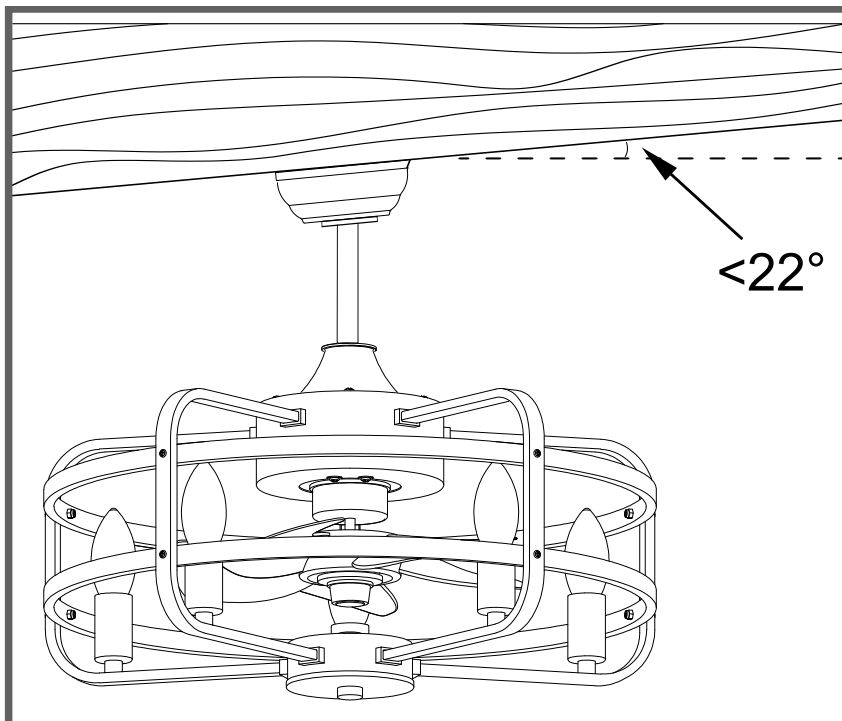


Check the box to see the weight of the fan

Installation Angle



Flat Ceiling


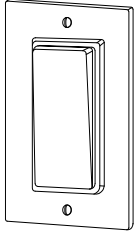

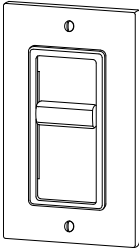
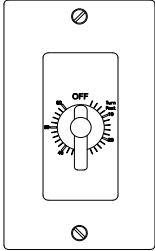
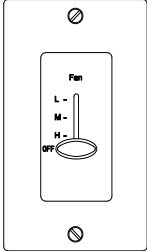
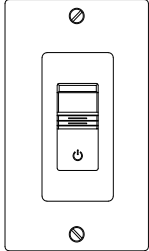


Sloped Ceiling
($< 22^\circ$)

Switch Selection

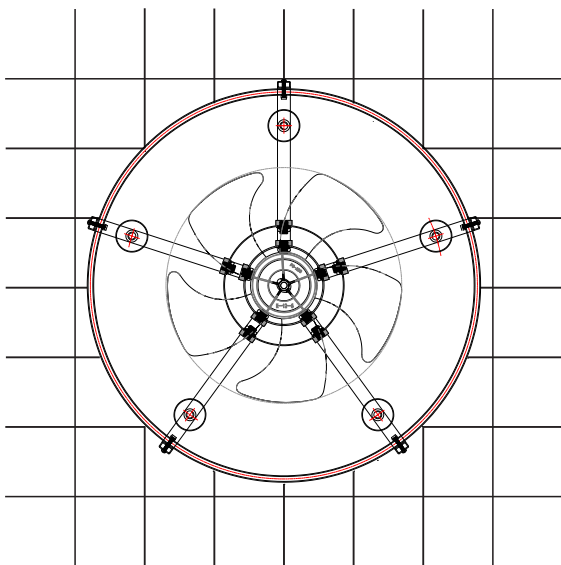
Note: Using a dimmer switch to control the fan may damage the fan. To reduce the risk of fire or electrical shock, do not use a dimmer switch to control the fan.

The recommended switches are as follows:

 <p>Recommended:</p>	 <p>Single Pole Switch (Not Included)</p>			
 <p>Not Recommended:</p>	 <p>Dimmer Switch</p>	 <p>Timer Switch</p>	 <p>Fan Speed Control Switch</p>	 <p>Motion Sensor Switch</p>

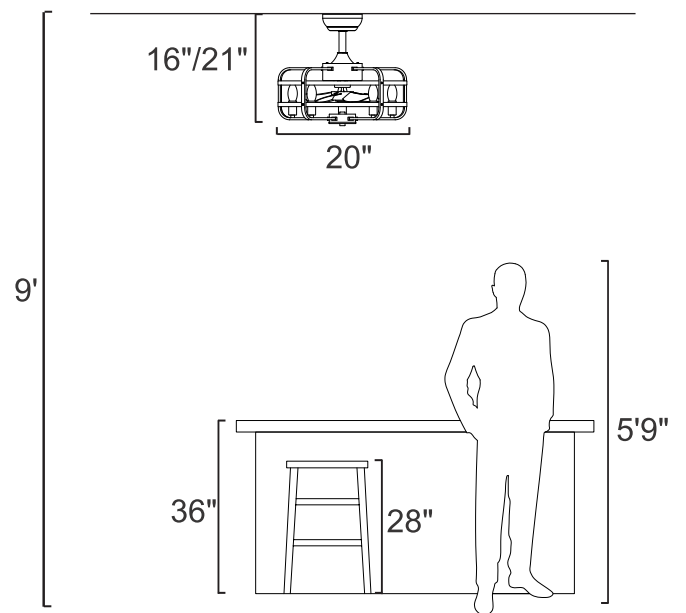
Installation Recommended

Room Size:



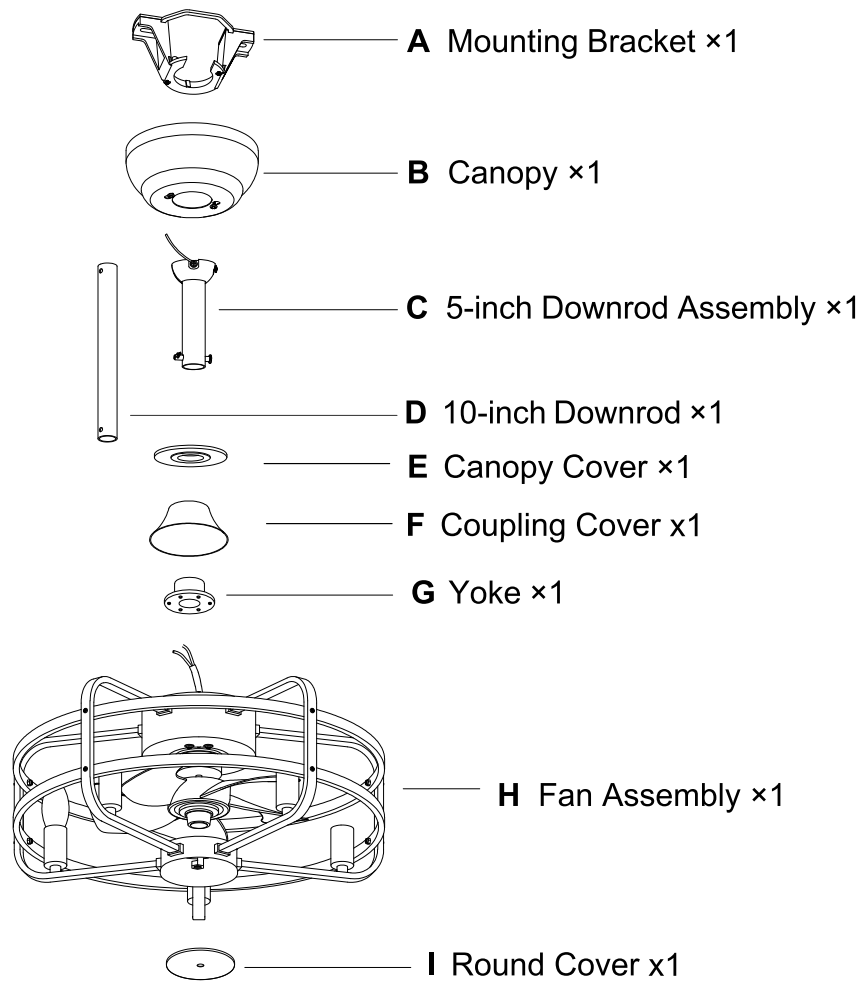
UP TO 10 ft × 12 ft

Room Height:

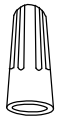
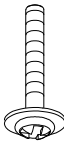

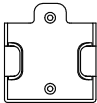







Recommended ceiling height: 8 to 12 ft.

Packing List



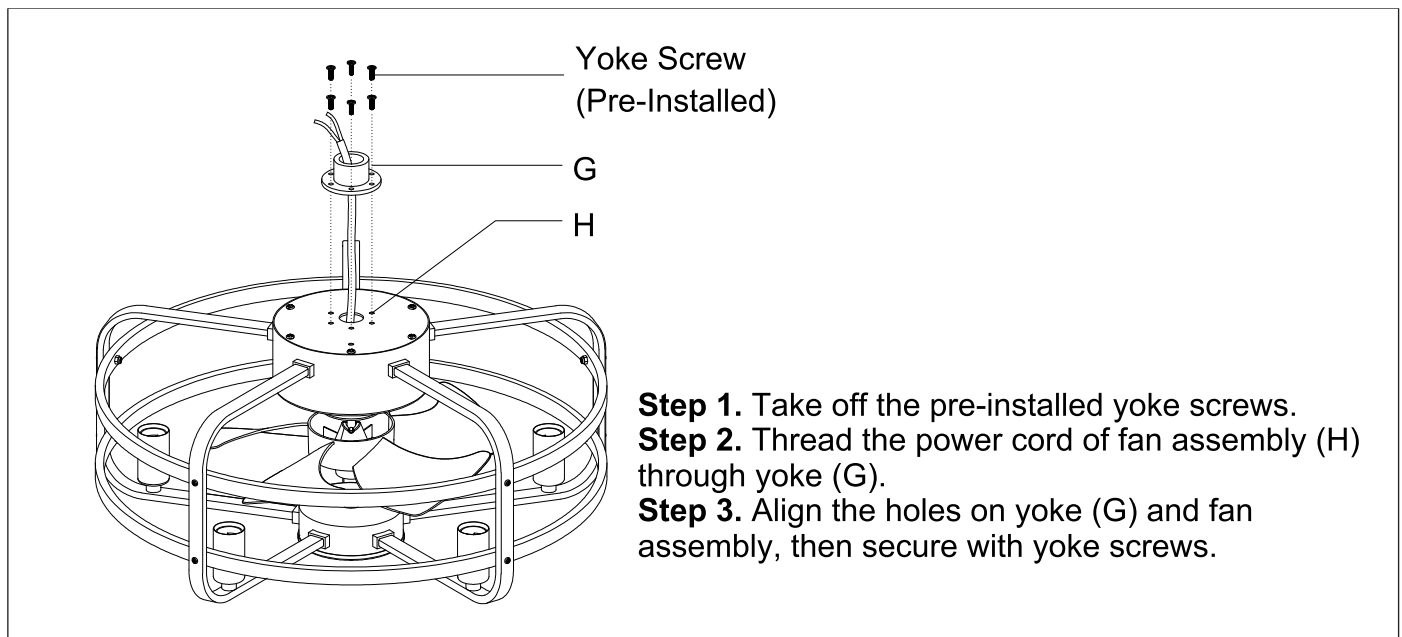
Installation Kit

AA  Wire Nut 3×	BB  Outlet Box Screw 2×	 Remote Control	 Remote Holder	
CC  Bottom Rod 1×	DD  Cap Nut 1×	EE  Gloves 1×	 Remote Holder Anchor ×2	 Remote Holder Screw ×2

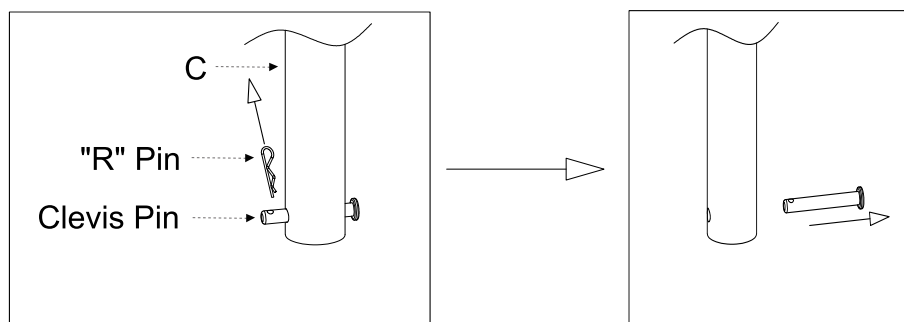
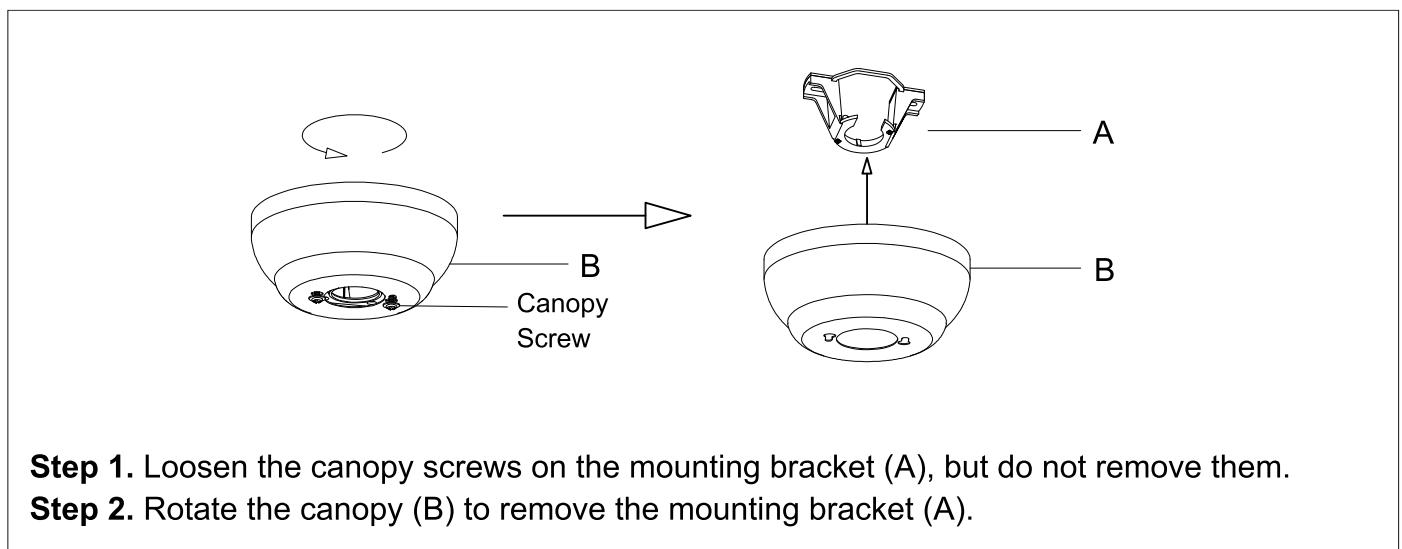
NOTE: The listed quantity is for installation, extra hardware may be included.

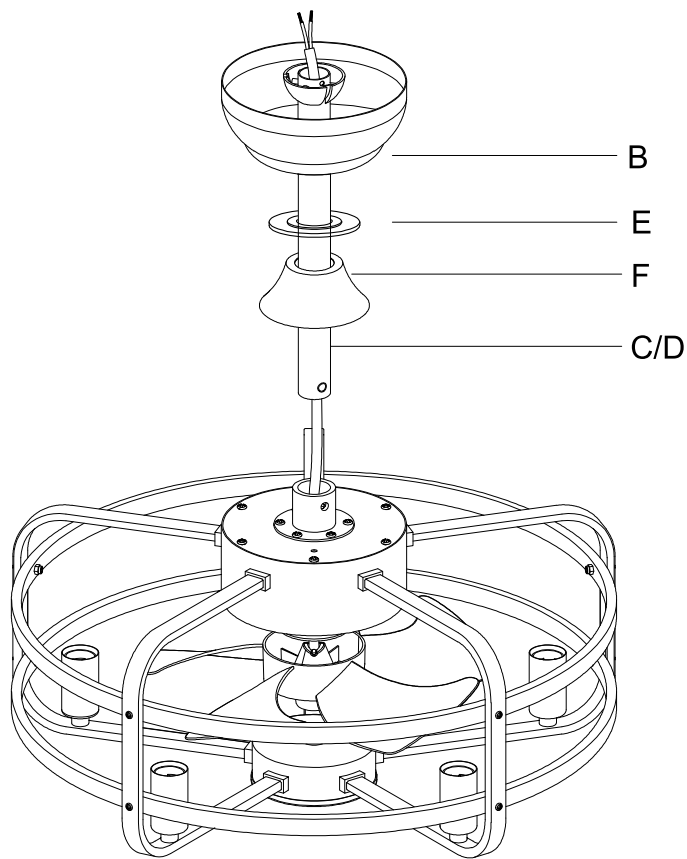
Installation Instructions

1. Install the Yoke



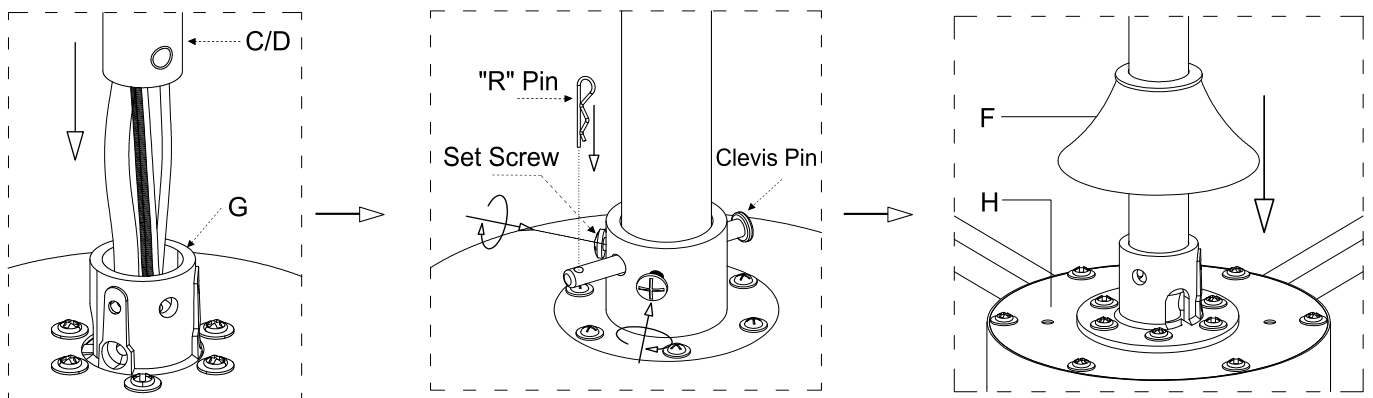
2. Assembly the Fan





Step 4. Pass the downrod (C/D) through the canopy (B) and canopy cover (E) and coupling cover (F).

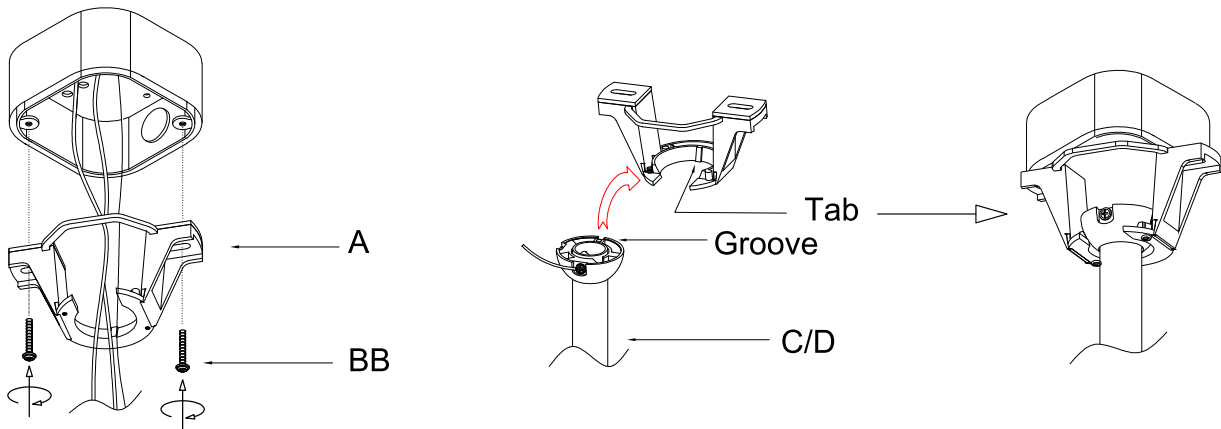
Step 5. Thread the power cord through downrod (C/D).



Step 6. Align the hole at the bottom of the downrod with the hole in the fan assembly (H). Carefully insert the clevis pin and "R" pin (Be careful not to jam the clevis pin against the wires inside the downrod). Tighten the set screws to secure the downrod.

Step 7. Fit the coupling cover (F) onto the fan assembly (H).

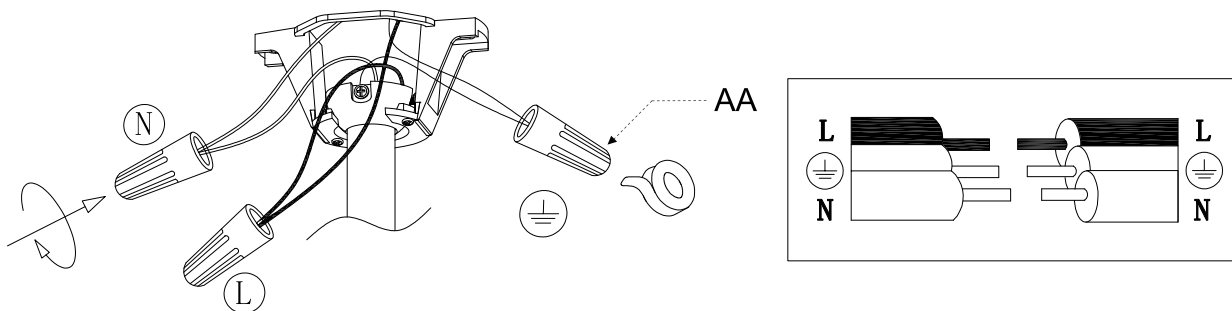
3. Mount the Bracket and Hang the Fan



Step 1. Secure the mounting bracket (A) to the outlet box with screws taken off from outlet box or screws (BB) provided in package.

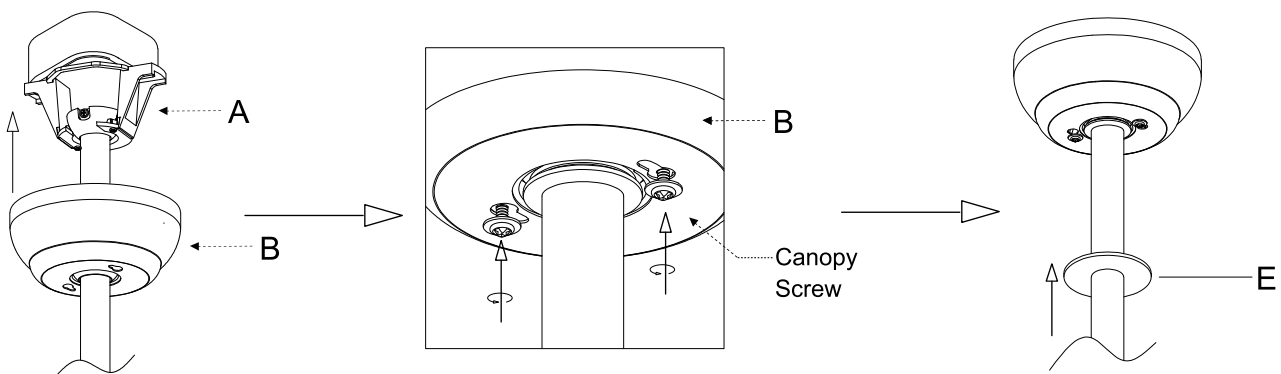
Step 2. Lift the downrod (C/D) into the mounting bracket (A). Rotate the downrod until the tab in the mounting bracket (A) is seated in the groove in the downrod ball.

4. Connect the Wires



Connect the wires from the fan to the house supply wires with wire nuts (AA), ground wire (green, green/yellow, or bare copper) to ground wire, neutral wire (white) to neutral wire, and hot wire (black) to hot wire. Wrap the connection with electrical tape.

5. Attach the Canopy

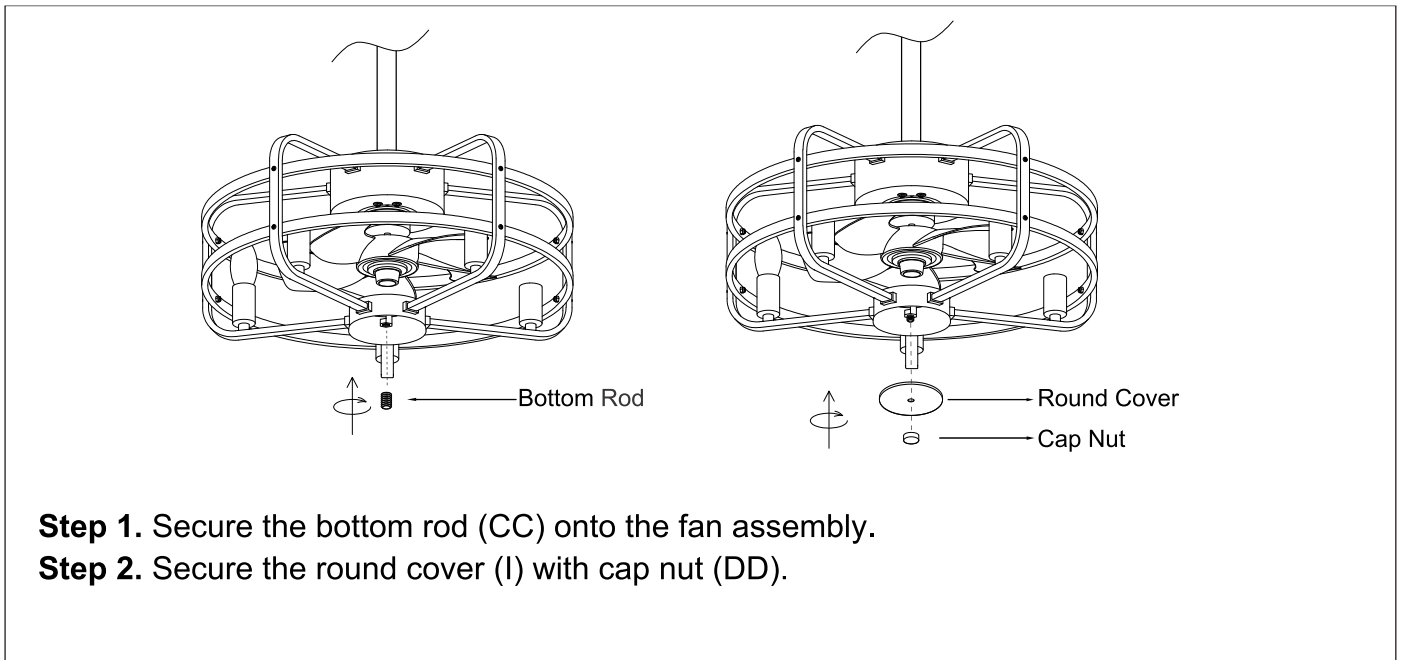


Step 1. Push canopy (B) up to the ceiling, making canopy screws go through the screw holes on canopy (B), then rotate canopy (B) to make it lock onto the canopy screws.

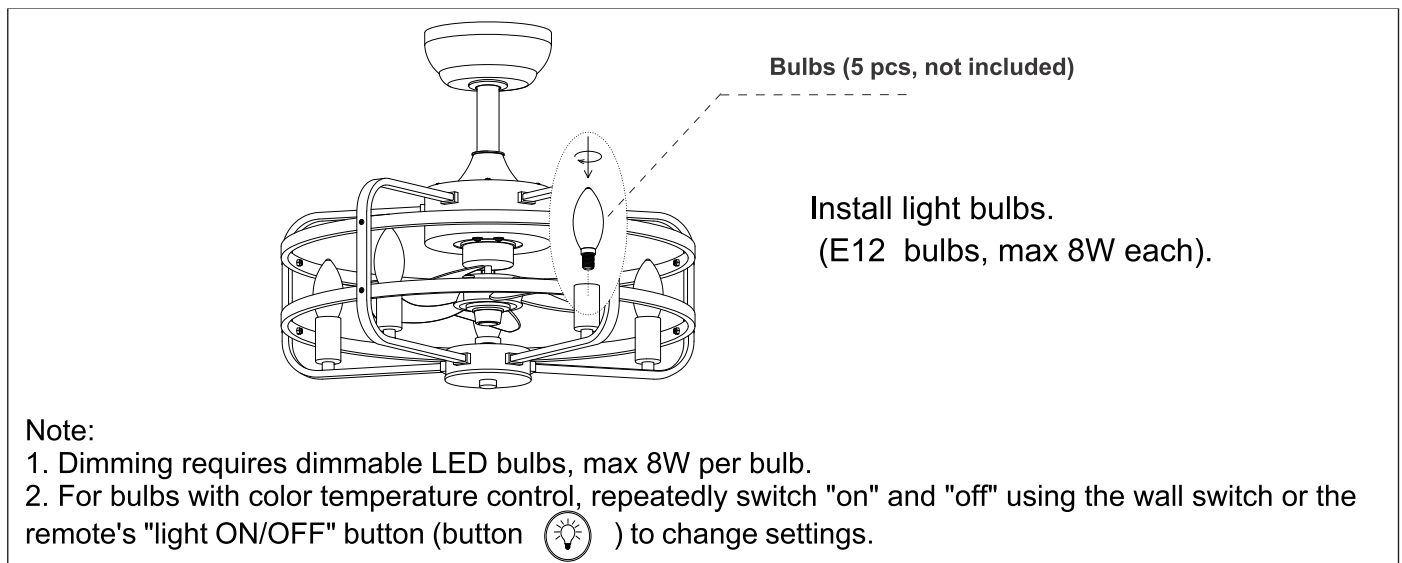
Step 2. Tighten the canopy screws to secure the canopy (B).

Step 3. Push up the canopy cover(E).

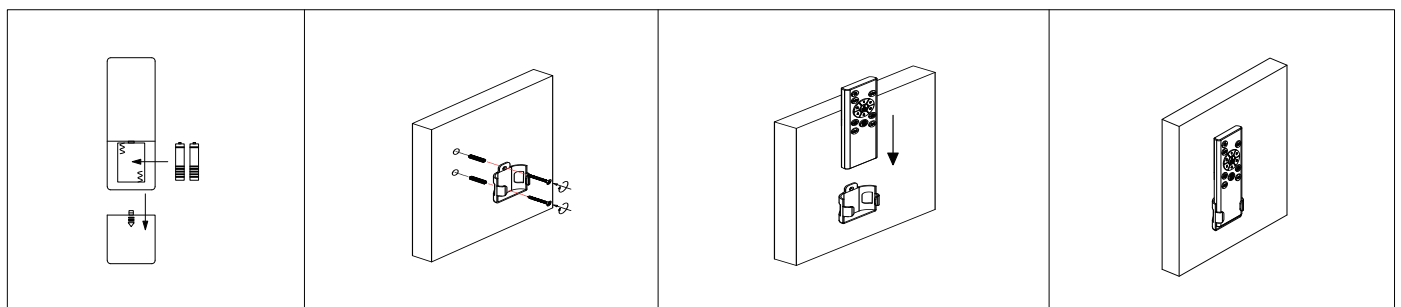
6. Install Round cover



7. Install the Lights



7. Remote Control Instructions



- Step 1.** Insert 2 batteries before using: AAA 1.5V battery x 2pcs (not included).
Step 2. Mark and drill screw holes in the wall, then insert the remote holder anchors.
Step 3. Use remote holder screws to fix the remote holder onto the wall.

Remote Control Instructions

		Turn off fan and light.
		Turn on/off the light.
		Adjust the brightness of the light.
		Fan speeds 1 through 6.
		Fan moves forwards or reversely.
		Natural Wind Mode: Fan speed automatically adjusts.
		Turn off the fan.
		2H/4H for timing the fan.

NOTE:
Please insert 2 batteries before using. AAA 1.5V battery x 2pcs (not included).

Remote Signal Pairing:

If the remote control loses the signal from the fan, press and hold the button right after the fan is powered on from the wall switch. After the fan flashes or beeps, it means it's done.

Trouble Shooting

1. Fan doesn't work

- Make sure the fixture is connected to an ON/OFF wall switch, not a dimmer switch.
- Check the remote control battery (not included in this package).
- Check the circuit breaker to ensure the power is on.
- Turn off power from the circuit breaker, then loosen the canopy and check all the connections according to the wiring diagram.

2. Lights Do Not Light Up / Flicker / Noisy Operation

- Make sure the fixture is connected to an ON/OFF wall switch, not a dimmer switch.
- Check your power and switch to make sure it's powered on.

3. Noisy Operation

- Tighten the light fitting and blade bottom cover.
- Re-tighten all screws on the bracket, downrod, and fan blades (do not over tighten).
- Check to see if any of the blades are cracked. If so, replace all of the blades.

4. Remote does not work

- Make sure the battery is installed correctly.
- Pair the remote control again (see Remote Control Instructions).
- Install 2 new batteries.

Clean And Care

To clean, wipe the fixture with a soft cloth. Spraying from chemical cleaners can discolor the finish of the fixture. Do not use scouring pads, powders, steel wool, or abrasive paper to clean this fixture.

Ordering Parts

Keep this manual for future reference, and in case replacement parts are needed. Available parts can be ordered from the place of purchase. Use exact wording from diagrams when ordering parts.