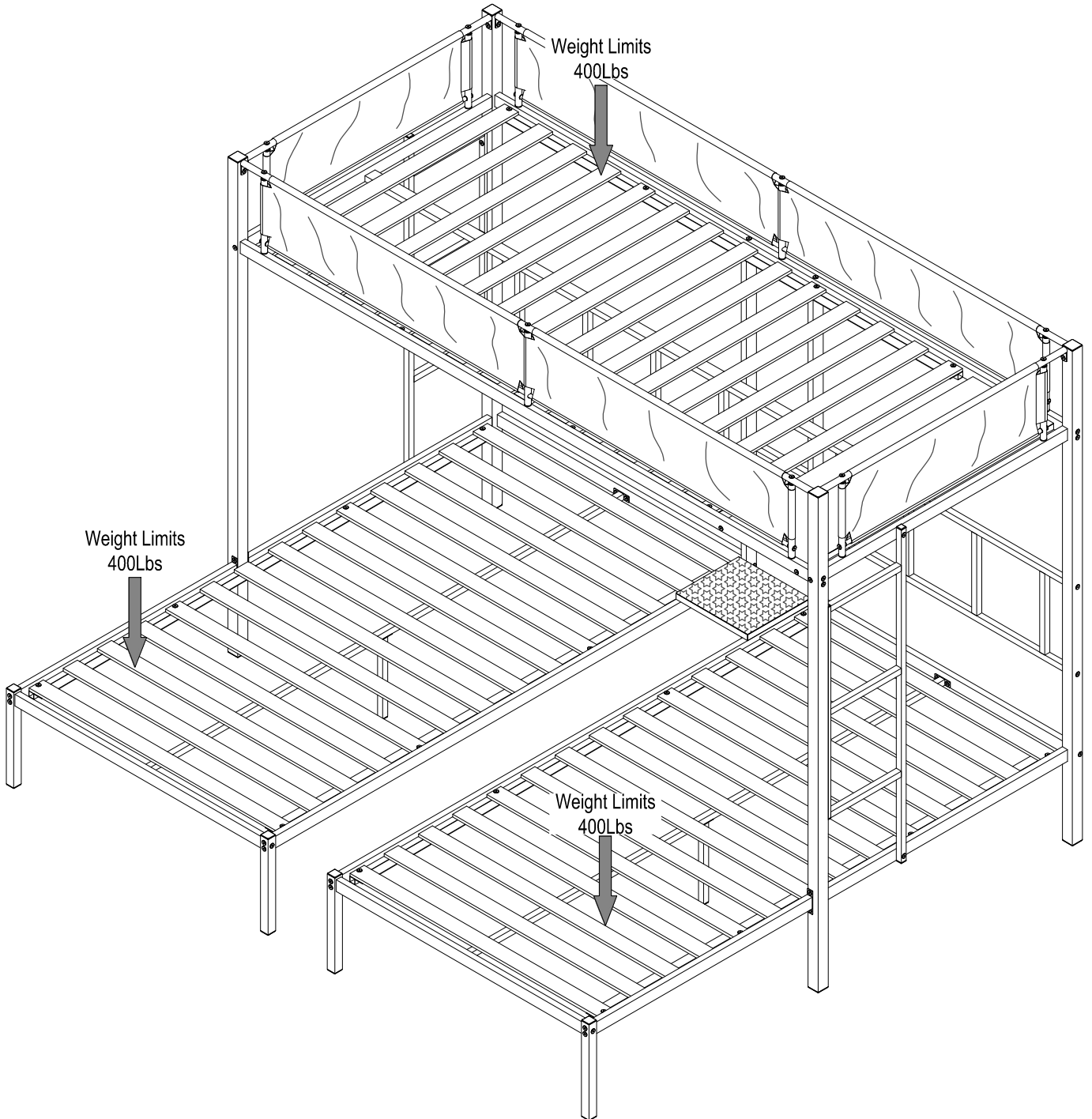
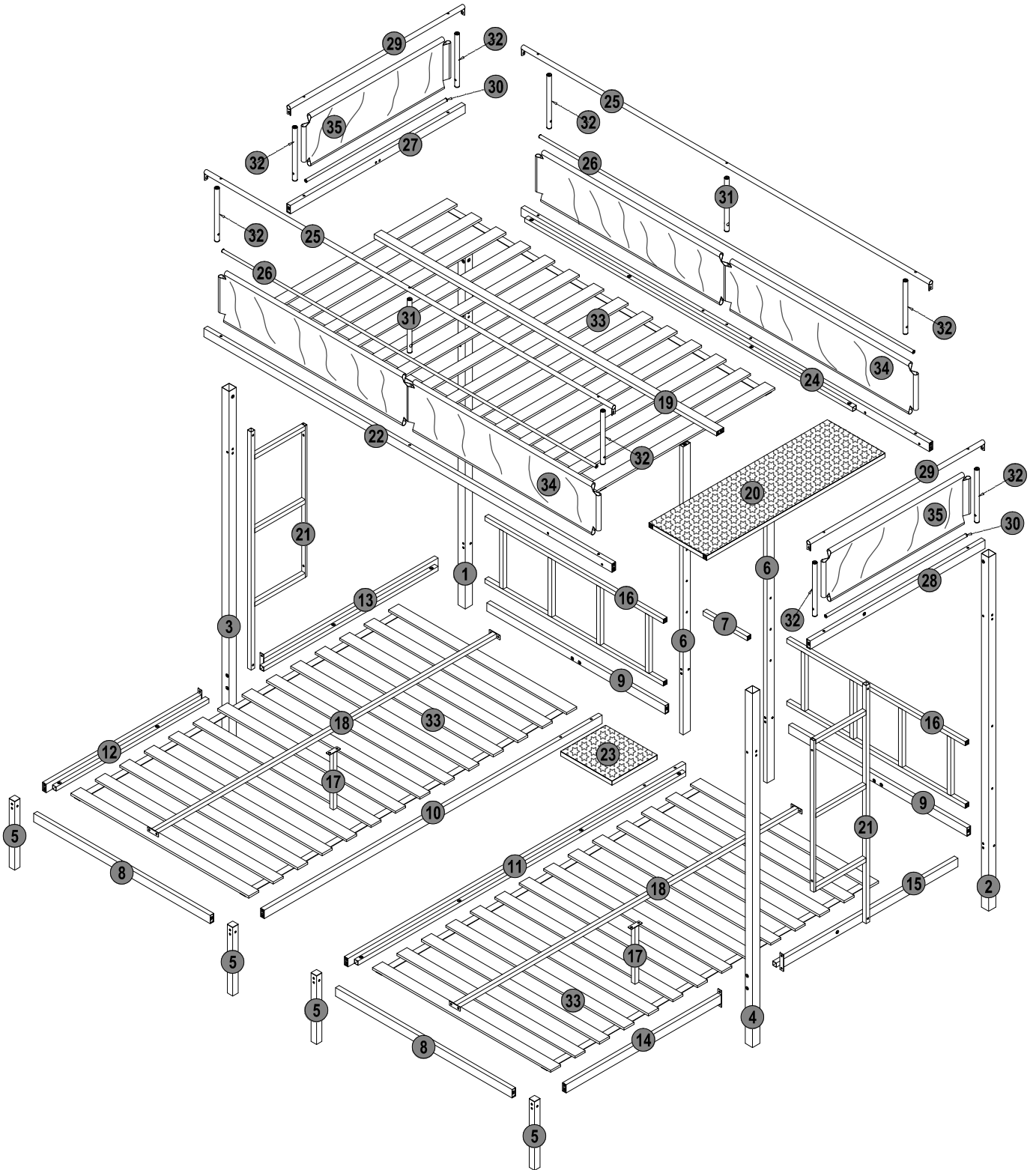


BUNK BED
ASSEMBLY INSTRUCTIONS
SKU: FU450-BK1/FU450-BK2



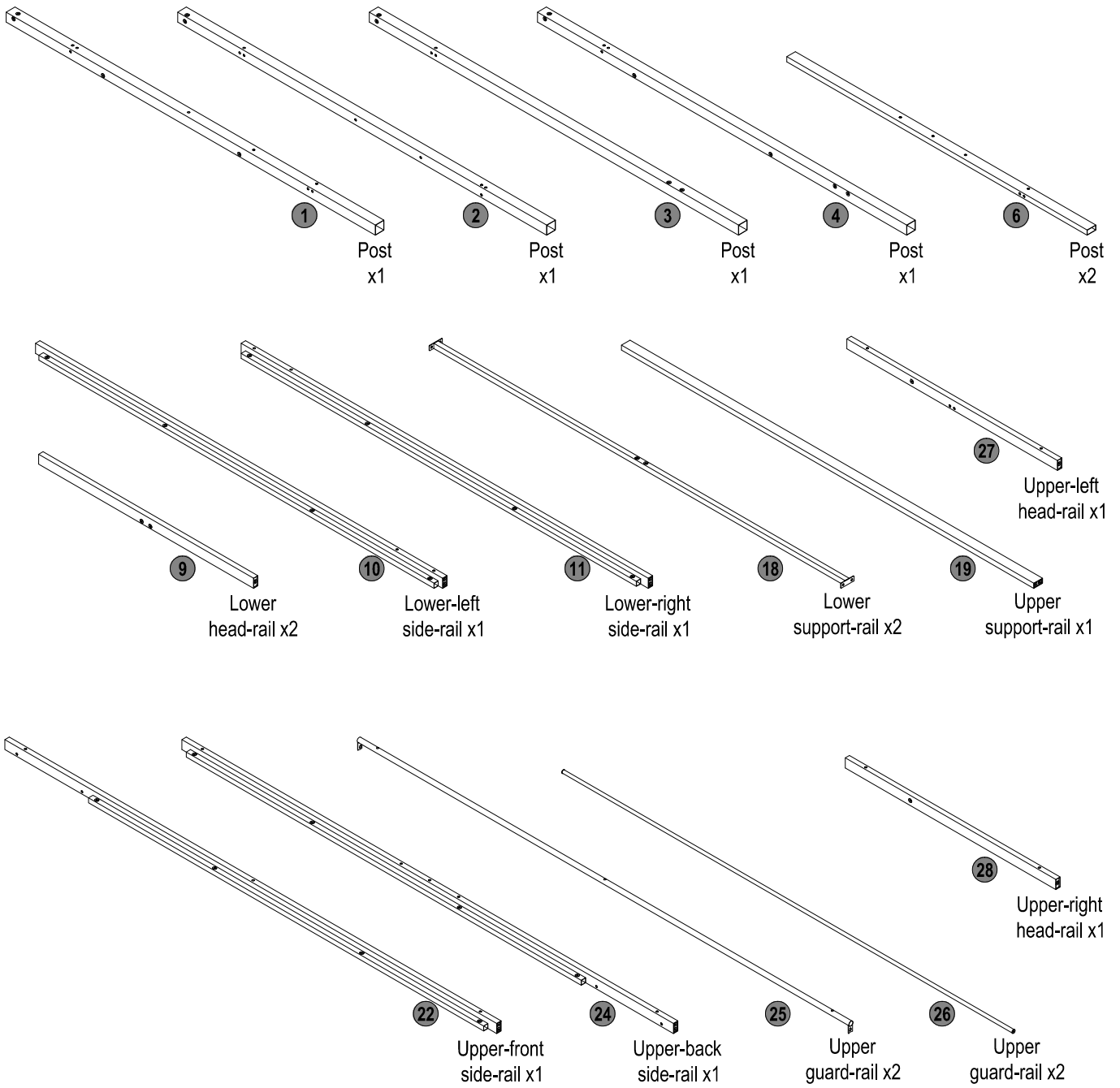
BUNK BED
ASSEMBLY INSTRUCTIONS
SKU: FU450-BK1/FU450-BK2

DETAIL VIEW

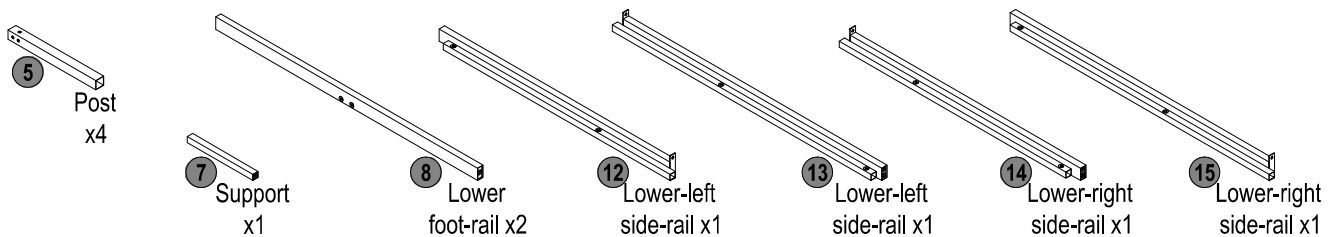


**BUNK BED
ASSEMBLY INSTRUCTIONS**
SKU: FU450-BK1/FU450-BK2

PART LIST (FU450-BK1)

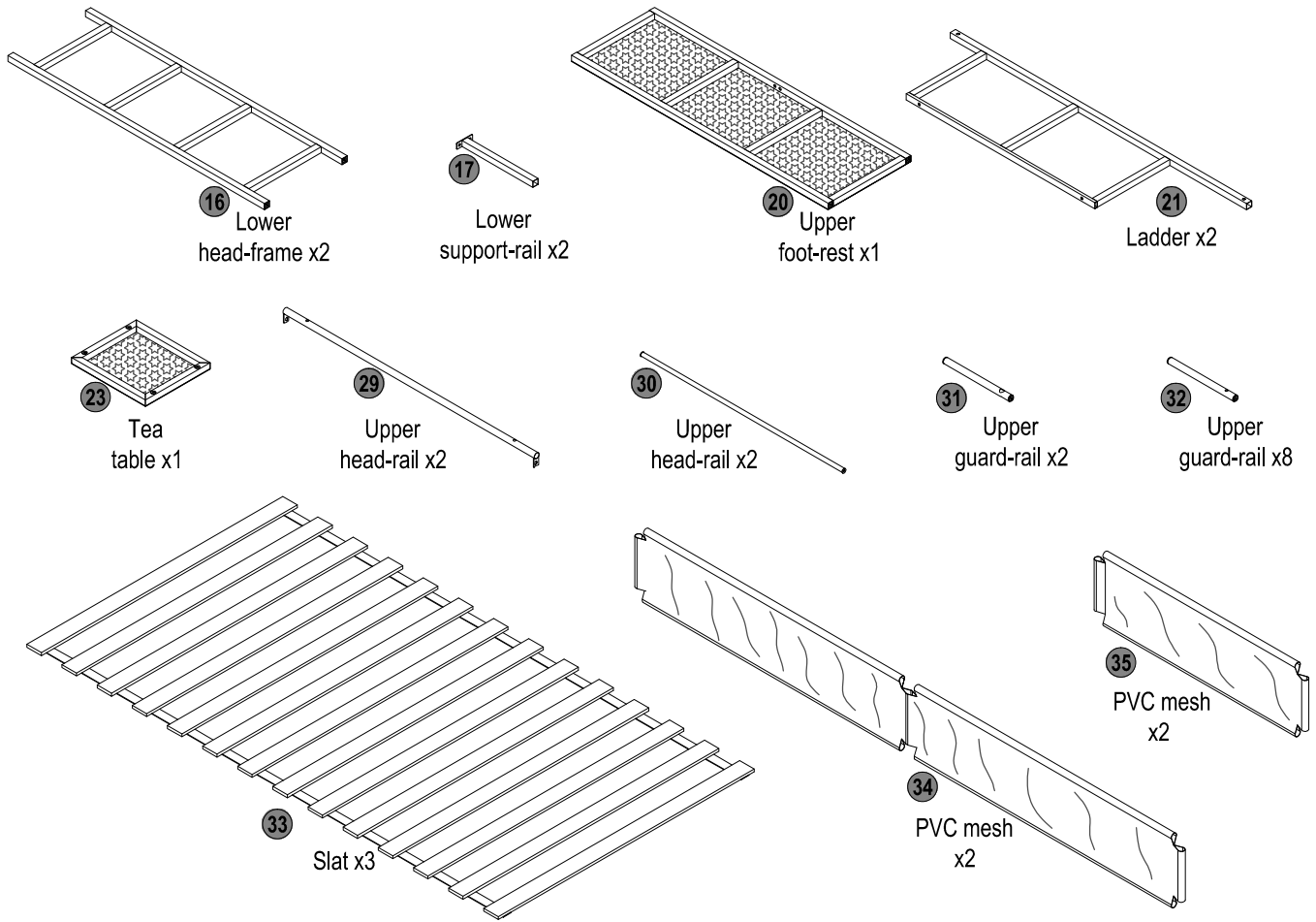


PART LIST (FU450-BK2)

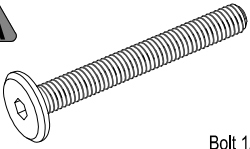
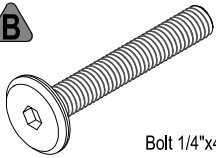
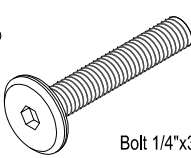
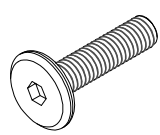
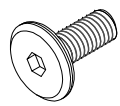
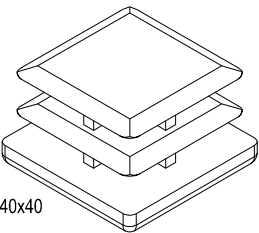
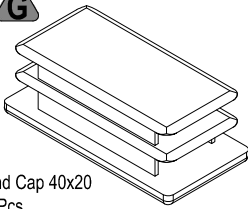
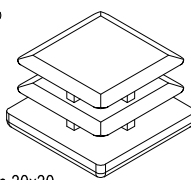
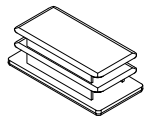
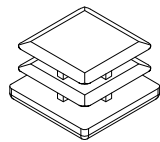
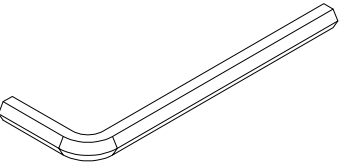


**BUNK BED
ASSEMBLY INSTRUCTIONS**
SKU: FU450-BK1/FU450-BK2

PART LIST (FU450-BK2)



HARDWARE LIST (FU450-BK2)

<p>A</p>  <p>Bolt 1/4"x55 42 Pcs</p>	<p>B</p>  <p>Bolt 1/4"x45 12 Pcs</p>	<p>C</p>  <p>Bolt 1/4"x35 38 Pcs</p>	<p>D</p>  <p>Bolt 1/4"x25 28 Pcs</p>	<p>E</p>  <p>Bolt 1/4"x15 28 Pcs</p>
<p>F</p>  <p>End Cap 40x40 8 Pcs</p>	<p>G</p>  <p>End Cap 40x20 2 Pcs</p>	<p>H</p>  <p>End Cap 30x30 4 Pcs</p>	<p>I</p>  <p>End Cap 20x10 4 Pcs</p>	<p>K</p>  <p>End Cap 20x20 6 Pcs</p>
<p>L</p>  <p>Allen Wrench 1/4" 2 Pcs</p>				

**BUNK BED
ASSEMBLY INSTRUCTIONS**
SKU: FU450-BK1/FU450-BK2

SAFETY WARNING AND GENERAL NOTES

- Follow the information on the warnings on the bunk bed end structure and on the carton. Do not remove the warning label from the bed.
- Always use the recommended size mattress on the mattress support, or both, to help prevent the likelihood of entrapment or falls.
- Do not allow children under 6 years old to use the upper bunk.
- Periodically check and ensure the guardrail, ladder and other components are in their proper position, free from damage, and all connectors are tight.
- Do not allow horseplay on or under bed.
- Always prohibit jumping on the bed.
- Prohibit more than one person on upper bed.
- Always use the ladder for entering and leaving the upper bed.
- Do not use substitute parts. Contact the manufacturer or dealer for replacement parts.
- Use of a night-light may provide added safety precaution for a child using the upper bunk.
- Always use guardrails on both long sides of the upper bunk.
- If the bunk bed will be placed next to a wall, the guardrail that runs the full length of the bed should be placed against the wall to prevent entrapment between the bed and the wall.
- The use of water or sleep flotation mattress is prohibited.
- **STRANGULATION HAZARD** - Never attach or hang items to any part of the bunk bed that are not designed for use with the bed; for example, but not limited to, hook, belts and jump ropes.
- Keep these instructions for future reference.
- We recommended assembling your bunk bed on the shipping carton to protect your floor or carpet.
- Be certain all staples are out of the box before beginning assembly on the shipping carton.
- **USE ONLY MATTRESSES WHICH ARE AS THE TABLE BELOW ON UPPER AND LOWER BUNKS.**

Down bed:

Bed type	Length	Width	Thickness
Twin Standard	74" - 75"	38½"	8" max

Up bed: (bunk bed and tribed included)

Bed type	Length	Width	Thickness
Twin Standard	74" - 75"	38½"	6" max

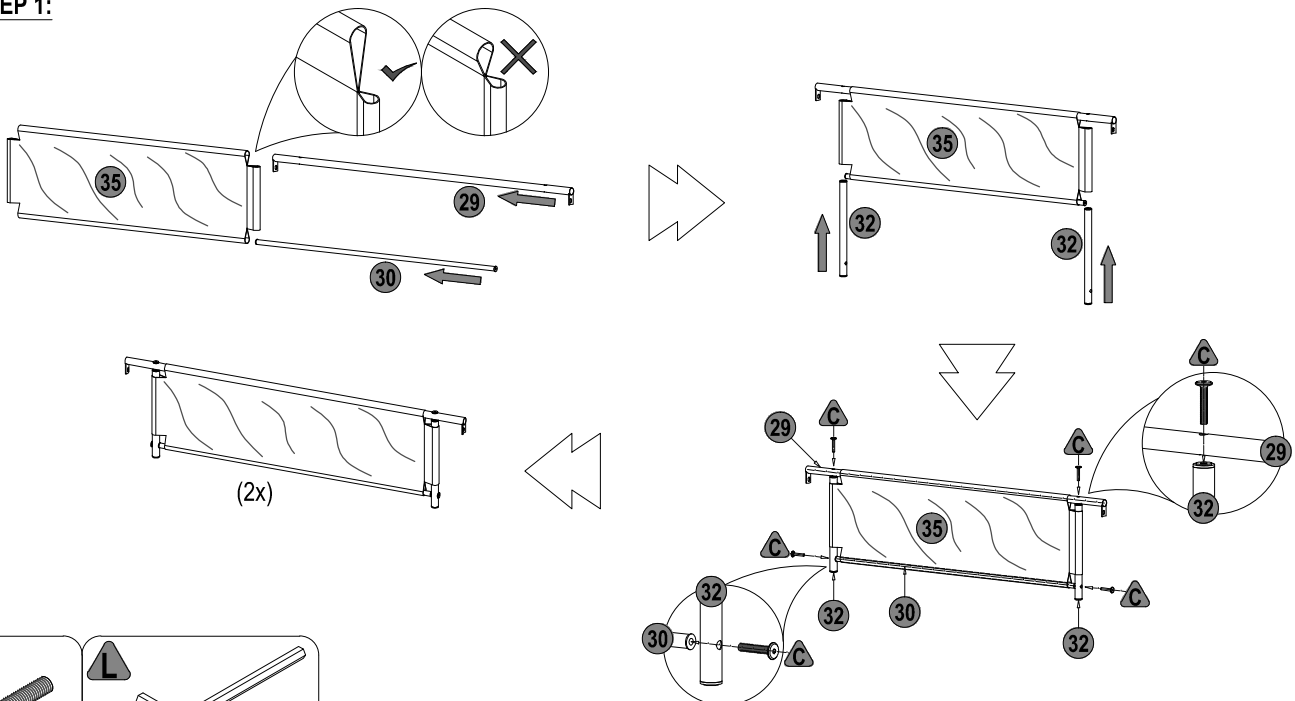
- **SURFACE OF MATTRESS MUST BE AT LEAST 5" (127MM) BELOW THE UPPER EDGE OF GUARDRAILS.**

• Replacement Parts:

Replacement Parts, including additional guardrails, may be obtained from any of our (SMART BRIGE INTERNATIONAL CO., LTD. 25 GUZMAN STREET, BELAMA PHASE 1, BELIZE CITY, BELIZE , CENTRAL AMERICA) dealers.

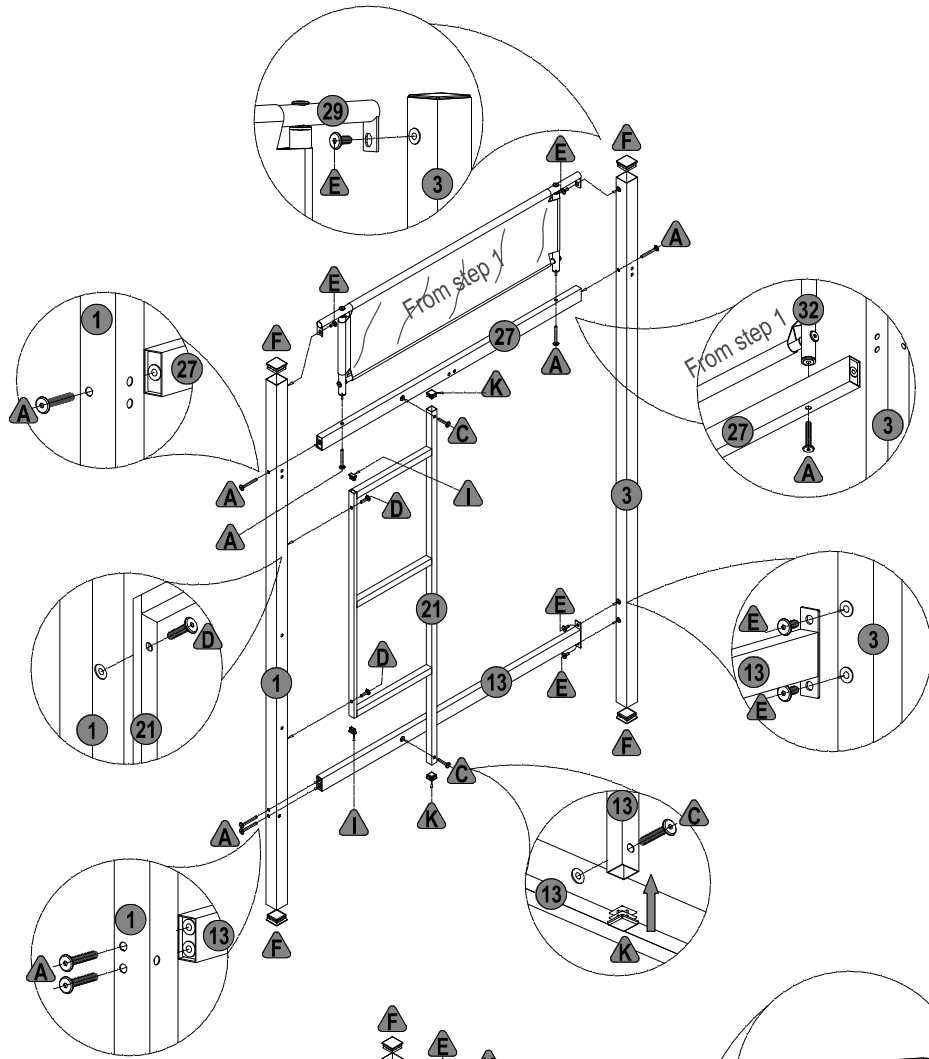
- Please, do not tighten any screw before each assembling unit is well placed AT appropriate position.

STEP 1:

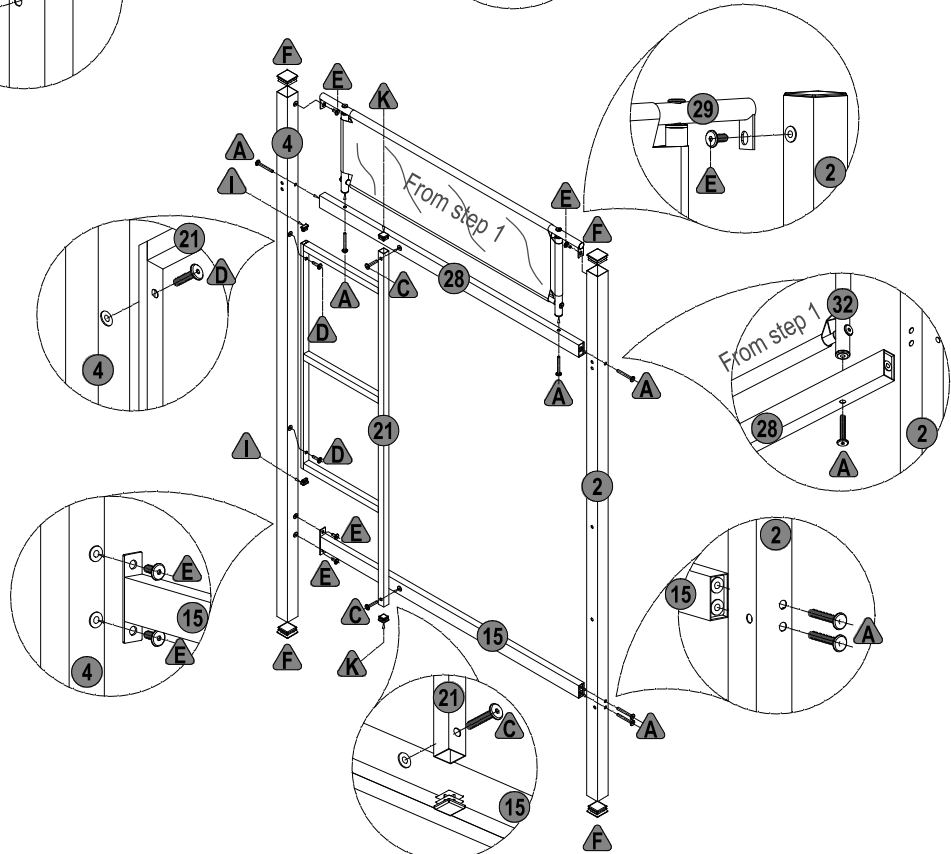


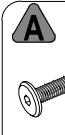
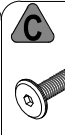


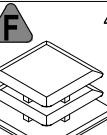


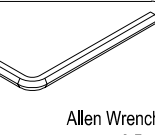
**BUNK BED
ASSEMBLY INSTRUCTIONS**
SKU: FU450-BK1/FU450-BK2

STEP 2:



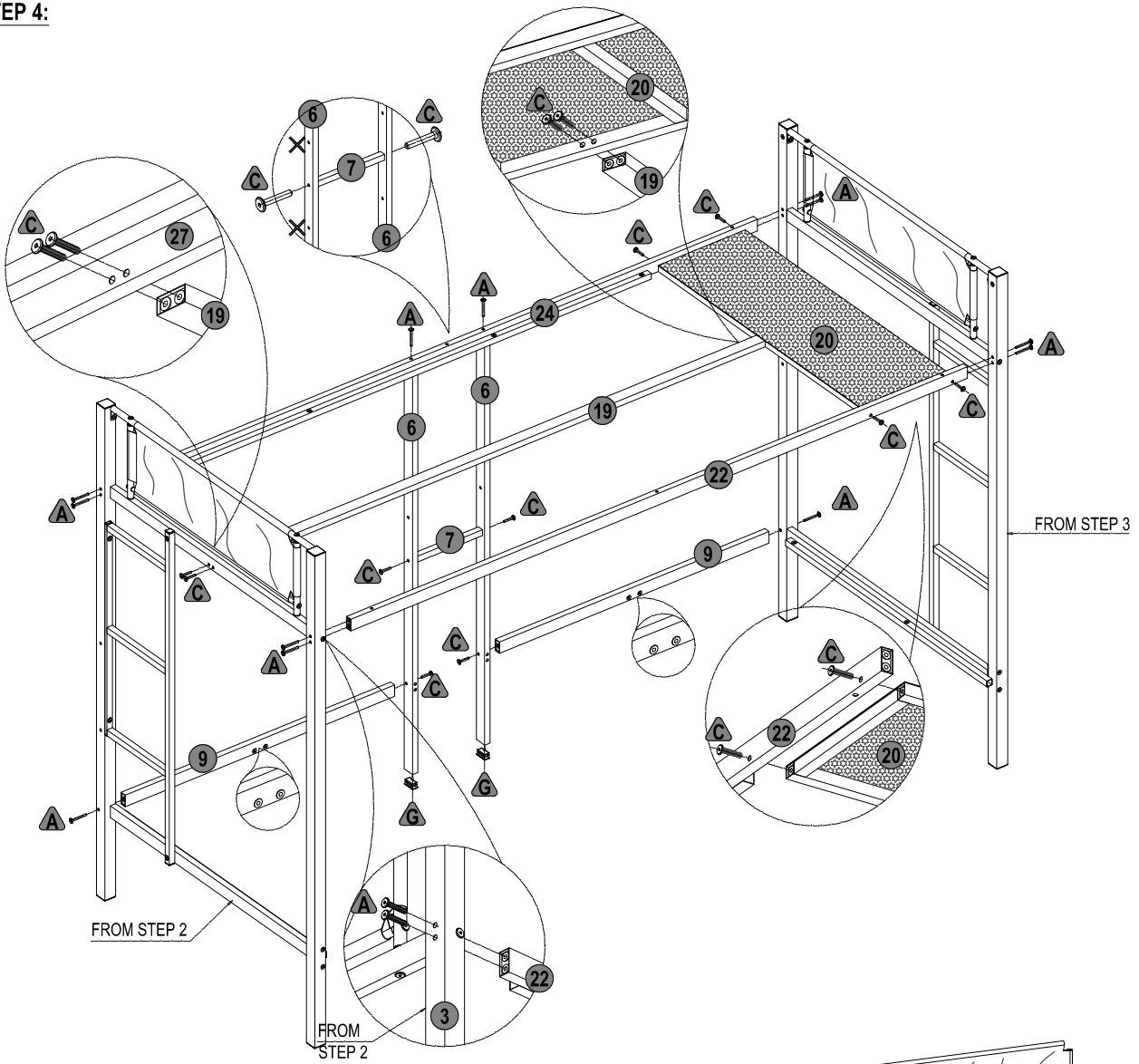
STEP 3:



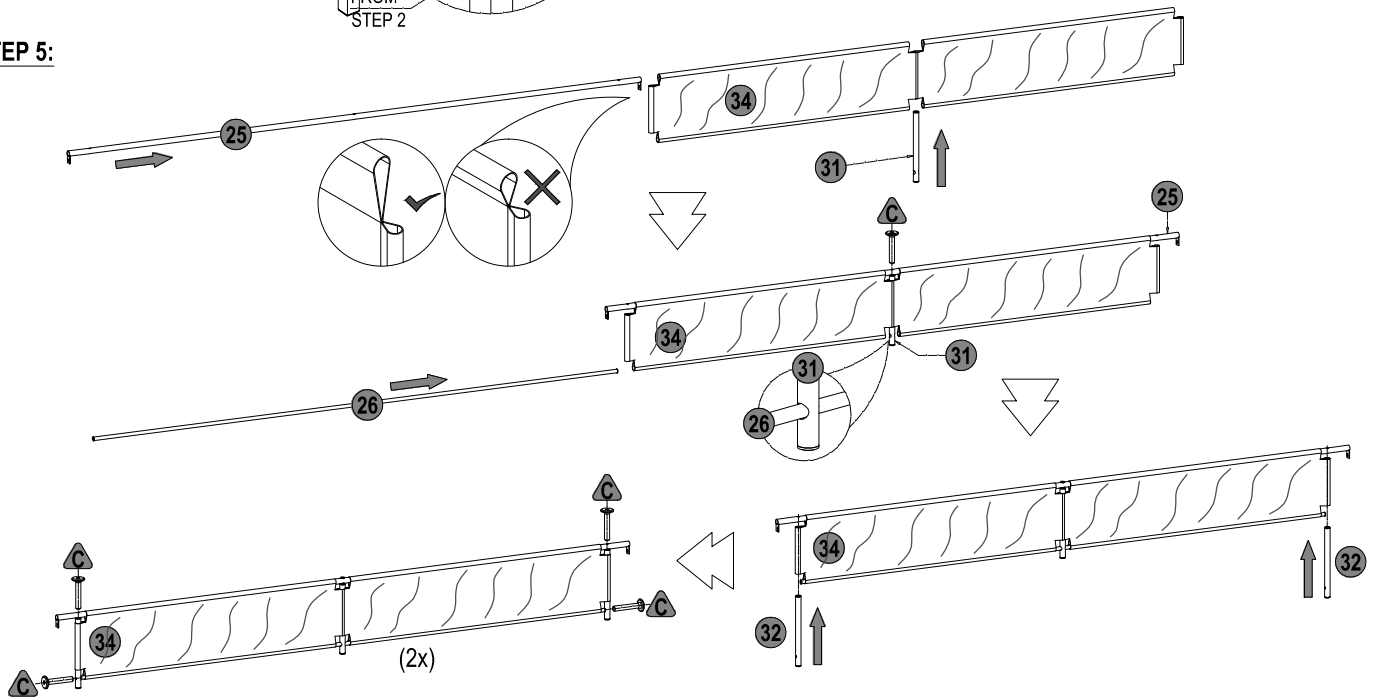
 <p>A 1/4"x55 12 Pcs</p>	 <p>C 1/4"x35 4 Pcs</p>	 <p>D 1/4"x25 4 Pcs</p>	 <p>E 1/4"x15 8 Pcs</p>	 <p>F 40x40 8 Pcs</p>	 <p>I 20x10 4 Pcs</p>	 <p>K 20x20 4 Pcs</p>	 <p>L Allen Wrench 2 Pcs</p>
--	---	---	---	---	---	---	--

BUNK BED
ASSEMBLY INSTRUCTIONS
 SKU: FU450-BK1/FU450-BK2

STEP 4:



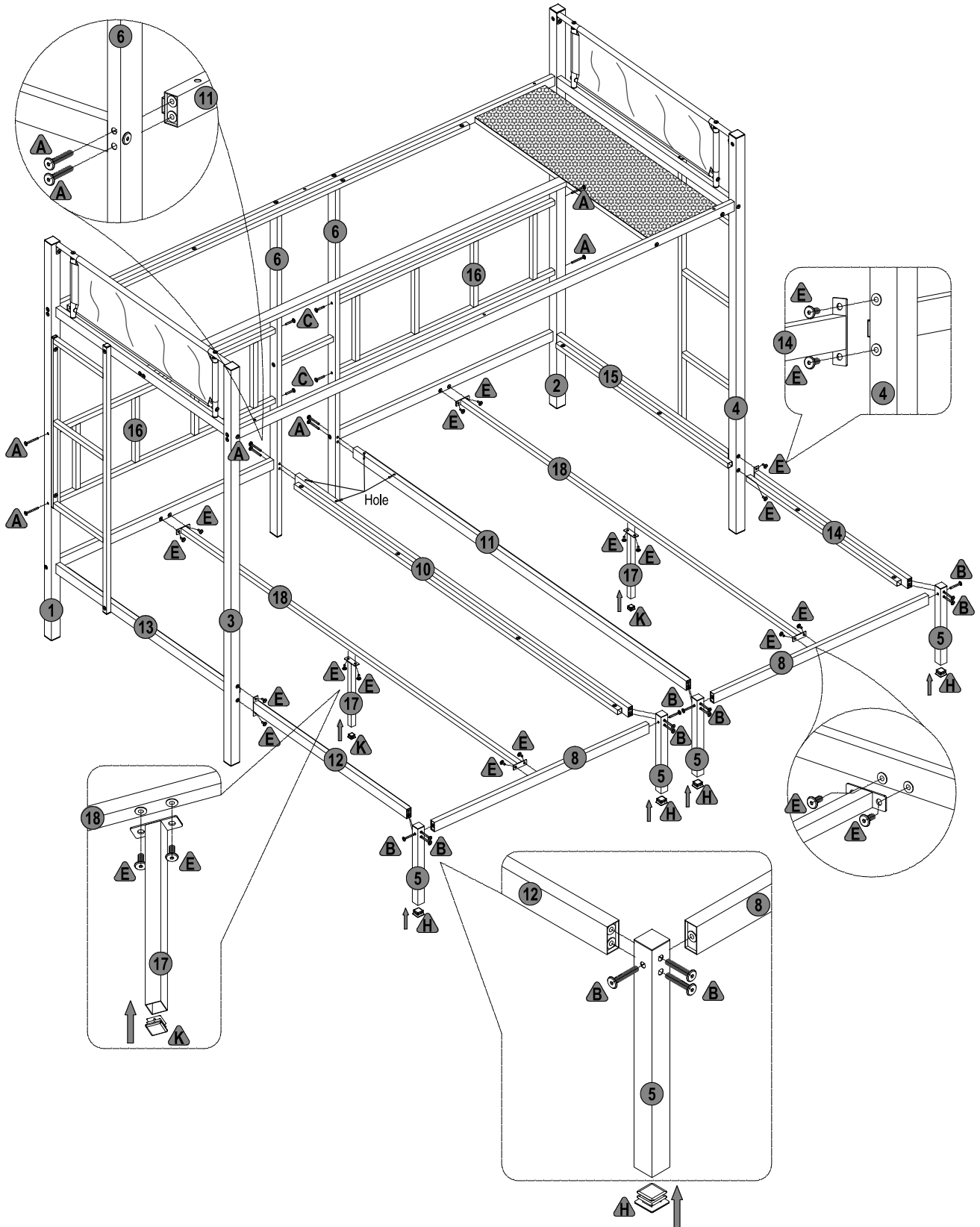
STEP 5:

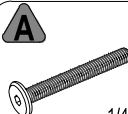
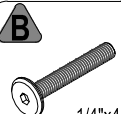
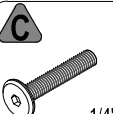

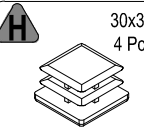

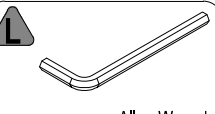


--	--	--	--

BUNK BED
ASSEMBLY INSTRUCTIONS
 SKU: FU450-BK1/FU450-BK2

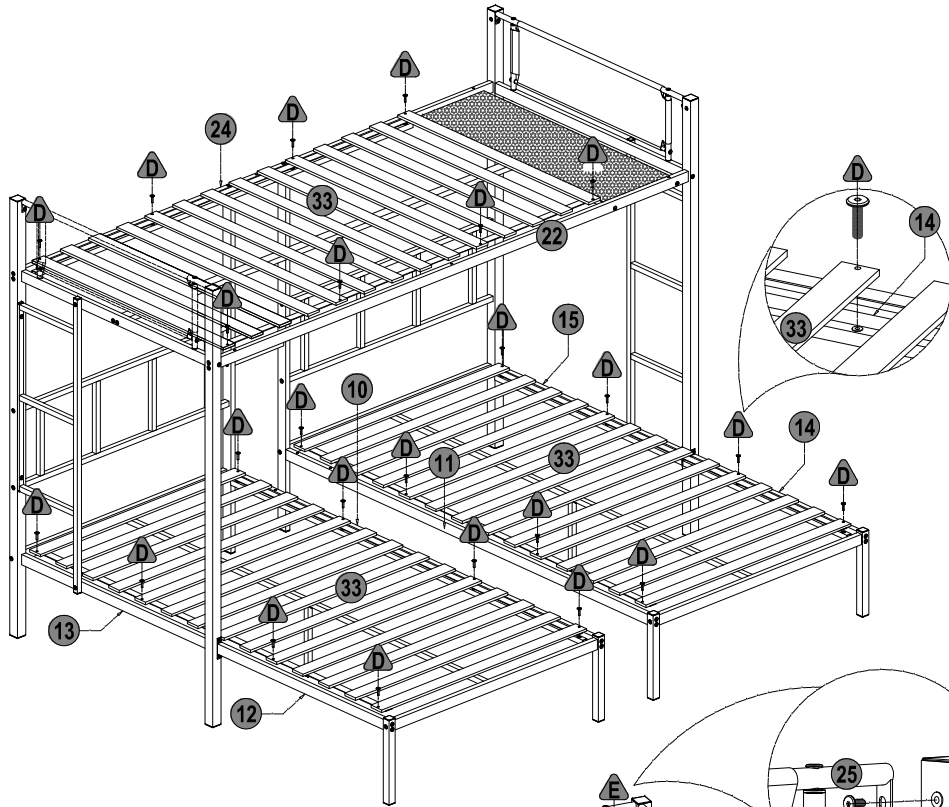
STEP 6:



 A 1/4"x55 8 Pcs	 B 1/4"x45 12 Pcs	 C 1/4"x35 4 Pcs	 E 1/4"x15 16 Pcs	 H 30x30 4 Pcs	 K 20x20 2 Pcs	 L Allen Wrench 2 Pcs
---	--	---	--	--	---	--

BUNK BED
ASSEMBLY INSTRUCTIONS
 SKU: FU450-BK1/FU450-BK2

STEP 7:



STEP 8:

