

PROJECT INFORMATION			
JOB NAME		TYPE	
ORDERING CODE			

## OUTDOOR ECLIPSE

### Down IP65 Wall



#### ELLIPTICAL 115° X 75° BEAM

(Note: Specifications are subject to change without notice)

#### 9mm COB PERFORMANCE DATA

LED LIGHT ENGINE	NOMINAL DELIVERED LUMENS	SYSTEM WATTAGE
05LM	600LM @30K/90CRI	10W
Notes	10W, 600 lm . Delivered lumens based on Elliptical optic(see page 2)	

#### FEATURES

- Pre finish anodizing process for corrosive-inhibiting protection
- Anthracite finish
- ADA Compliant
- IP65 Rated

#### DIMMING AND CONTROLS

- 0-10V dimming to 10%

#### CONSTRUCTION

- Extruded aluminum housing
- Anodized and powder coat finish
- Mount to 3-1/2" to 4" octagonal or 4" square recessed junction box

#### LED

- LED: Zigen ZG6BGE34W0S
- SDCM: 3-step MacAdam Ellipse
- Lumen Maintenance:  $L_{70} > 50,000$  hrs

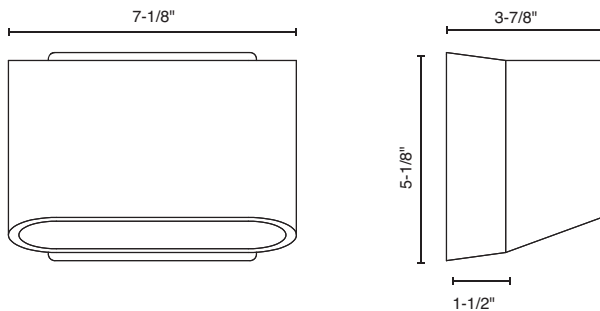
#### LISTING

- ETLus Listed to UL1598 (suitable for wet locations)
- cETL Listed to CSA C22.2 #250.0
- Warranty: 5 year limited warranty

#### ELECTRICAL

- 120V-277V
- Ambient operating temperature -20°C/-4°F to +40°C/+104°F

#### WALL



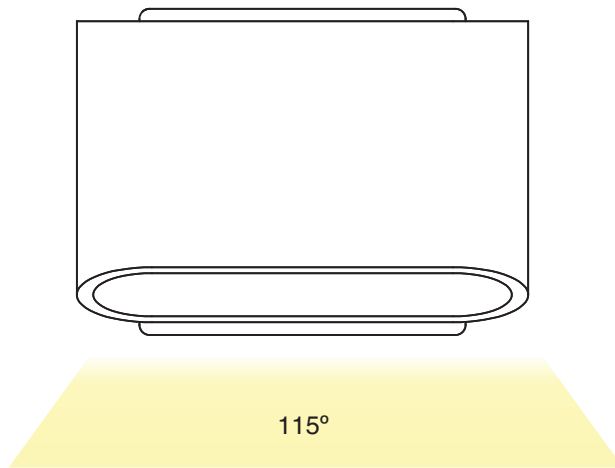
# bruck

PROJECT INFORMATION		
JOB NAME		TYPE
ORDERING CODE		

BEAM ORDERING CODE		
SERIES	EXT	exterior
TYPE	ED	eclipse down, 10W, 600 lm
LED	SW	standard white
DELIVERED LUMENS	05LM	600 lm
		Standard Configuration: 3000K
CCT	30K	3000K
CRI	90	90 CRI
FINISH	BK	anthracite

BEAM ORDERING CODE		
MOUNTING OPTIONS	W	wall mount
VOLTAGE	UNV-10V	120V-277V integrated driver, flicker free 0-10V dimming to 10%

YOUR COMPLETED ORDERING CODE
Follow the steps to specify your fixture, example:
<b>EXT - ED - SW - 05LM - 30K - 90 - BK - W - UNV - 10V</b>



PROJECT INFORMATION		
JOB NAME		TYPE
ORDERING CODE		

## PHOTOMETRIC DATA

05LM

