



Please check contents **before assembly**. If any items are missing or damaged, **do not take the unit back to the store.**

**COMPONENTS**

2 - Leg Spreaders  
1 - Cross piece  
4 - Legs  
1 - Preassembled Pine Table Top

**NOTE:** Cracks or Checks in logs are part of the natural beauty of cedar logs and should not be considered defects.

**HARDWARE & TOOLS REQUIRED**

10 - Screws  
#2 Phillips Screwdriver  
Rubber Mallet  
Block of Wood & Hammer

**NOTE:** Using a battery Or electric power drill will make assembly easier and faster.

**NOTE:** Read all instructions before starting.

**STEP 1** To assemble leg assemblies use a rubber mallet (or a block of wood between a hammer and the unit) to drive doweled ends into holes as shown in figure 1.

**STEP 2** Place the table top on a clean flat surface and put doweled ends of leg assemblies into holes in table top as shown in figure 2.

**STEP 3** Secure doweled joints in place with screws perpendicular to the doweled ends as shown in figure 2. Attach with screws in areas indicated by arrows, on both ends.

Your table is now assembled and ready for finish or immediate use.

**NOTE:** Check all joints for tightness before and during each usage season.

Use a good quality penetrating oil or wood deck sealer with a UV inhibitor and an anti-fungal.

Figure 1

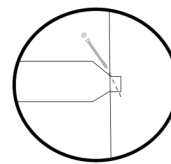
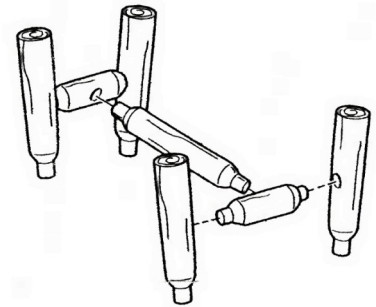


Figure 2

