

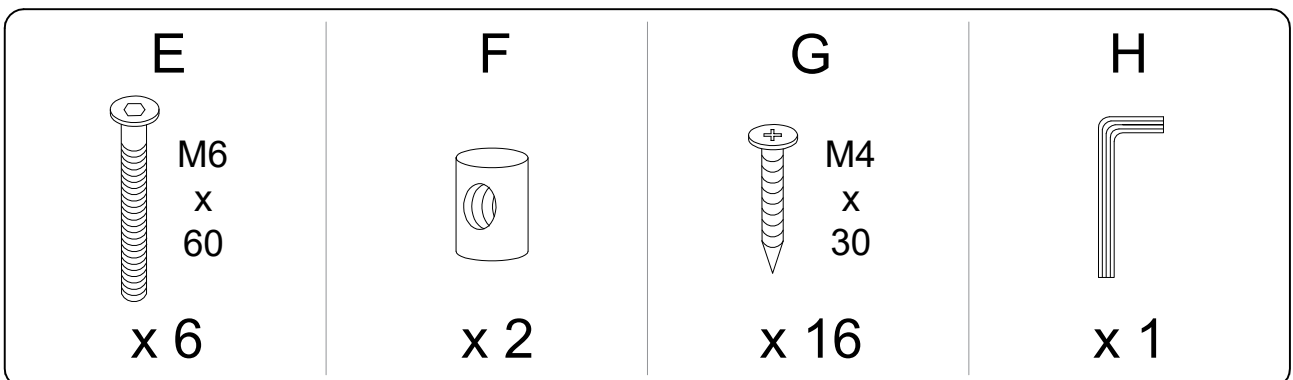
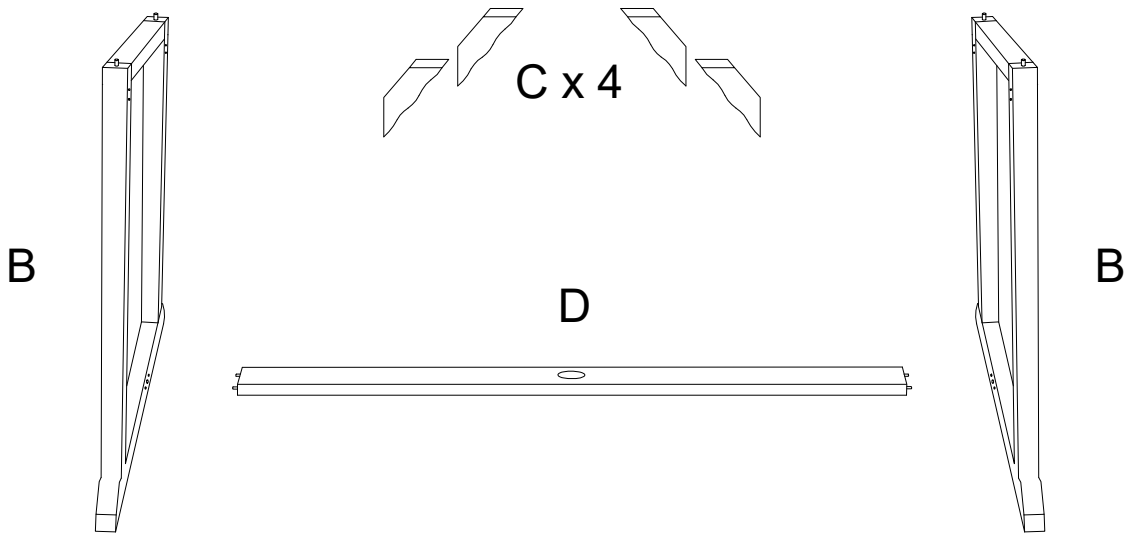
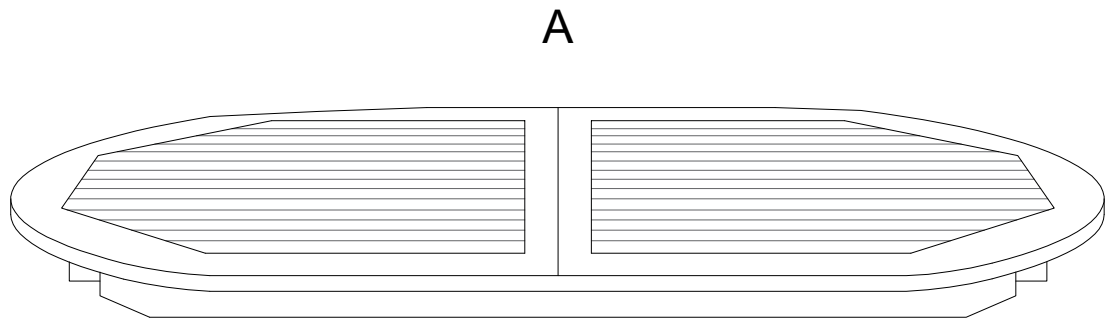
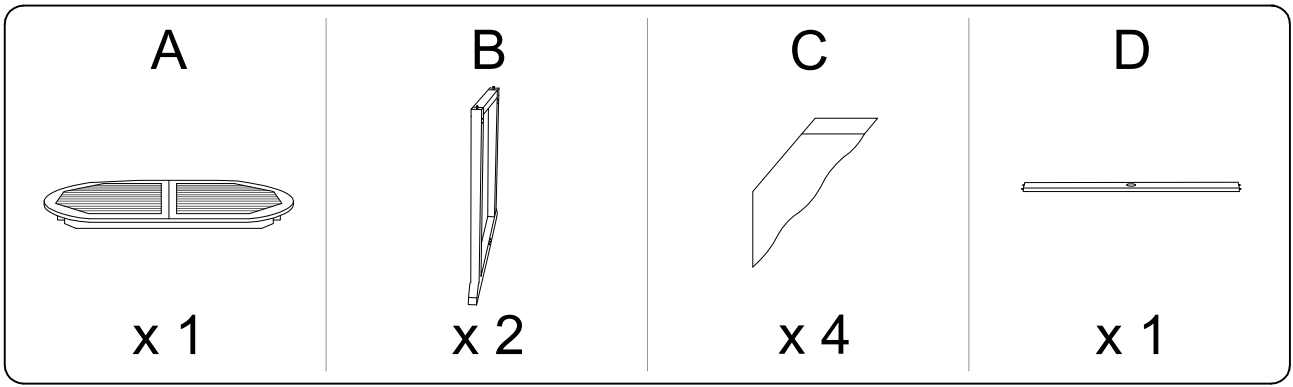
Assembly instructions for the table, including tool requirements, time, and person count.

Tools: An icon shows an Allen key and a screwdriver inside a circle, and a power drill with a slash through it, indicating that a power drill is not required.

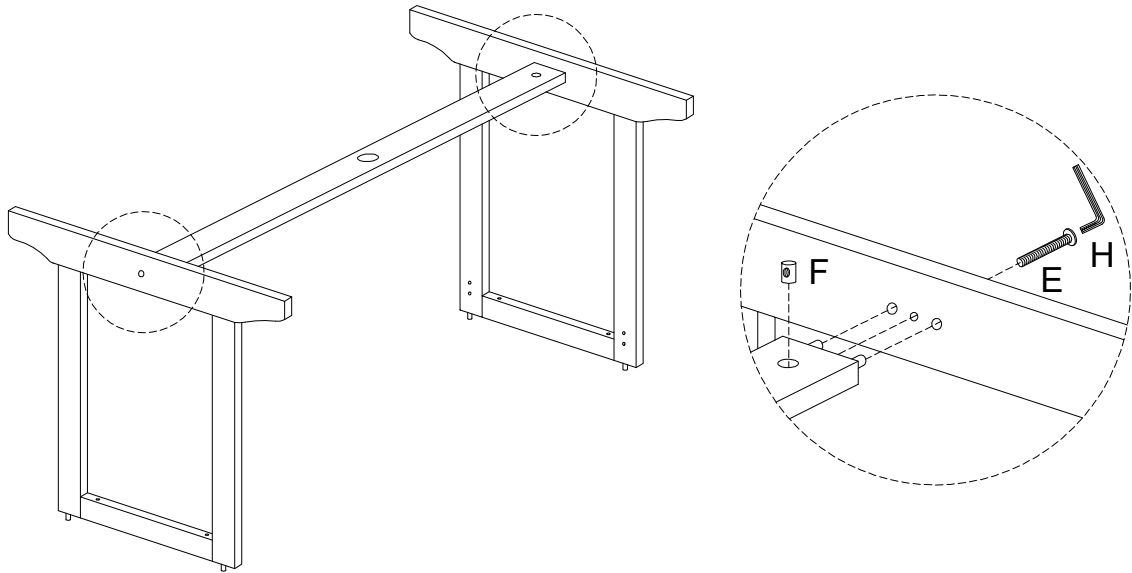
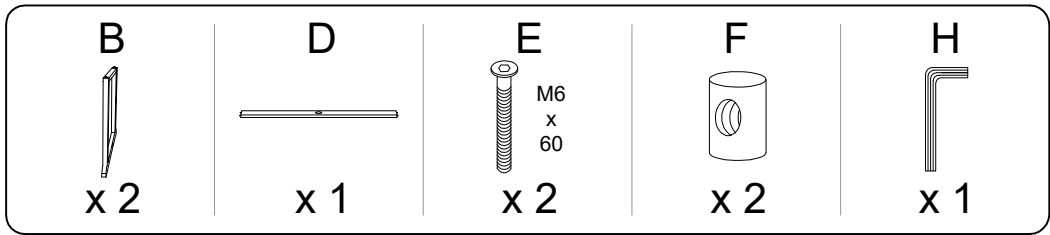
Warning: A triangle with an exclamation mark indicates a warning.

Time: A clock icon with the number 30' indicates that the assembly takes 30 minutes.

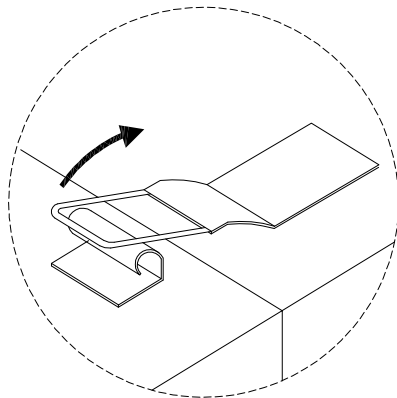
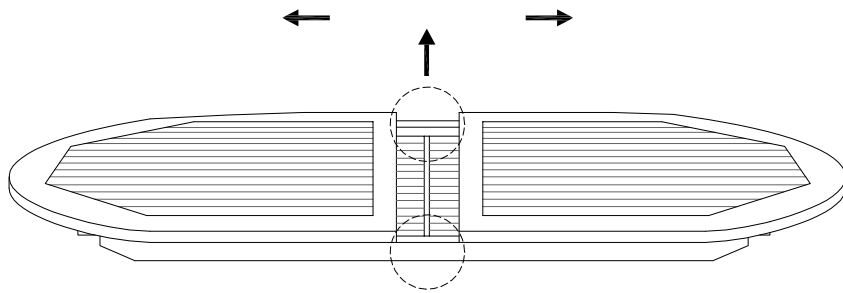
Person Count: An icon of a person with the number 1 below it indicates that one person is required for assembly.



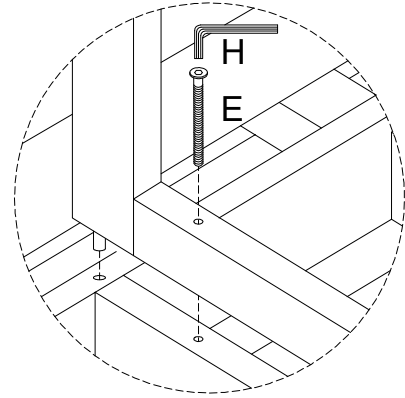
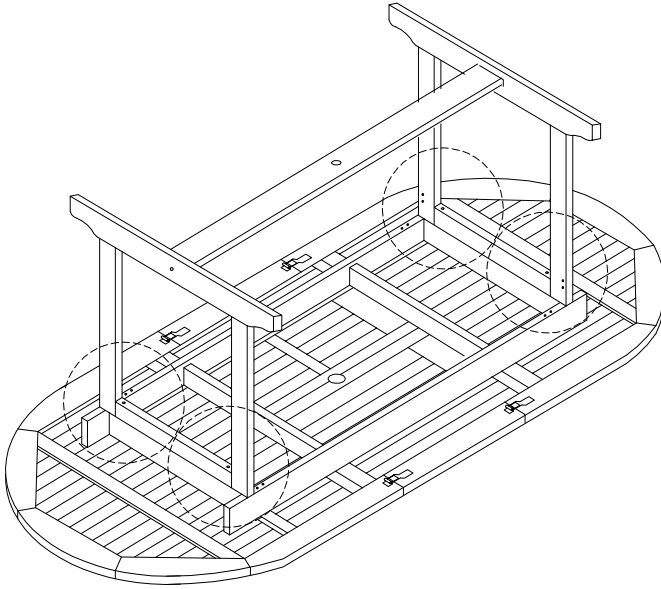
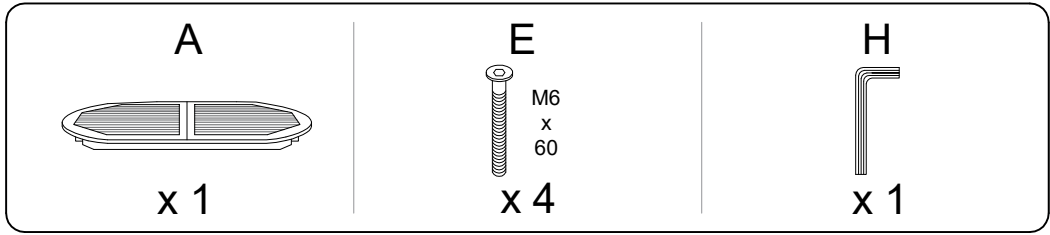
1



!



2



3

