
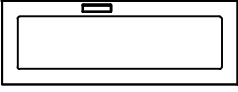

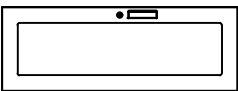





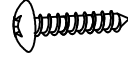


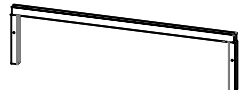

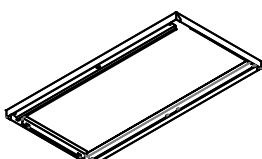
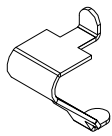
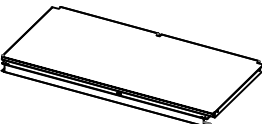



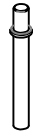

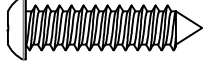
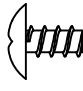


# Parts list

Name Nom Nombre	part Piece Pieza	Qty Qte	Spare Epargner Sobrante	Name Nom Nombre	part Piece Pieza	Qty Qte	Spare Epargner Sobrante
A Left Back Panel		1		k Left GLASS Door		1	
B Right Back Panel		1		L Right GLASS Door		1	
C Left Side		1		M Left Door		1	
D Right side		1		N Right Door		1	
E Kick Plate		1		O 40*40 Wall Anch Screw		2	
F Bottom Panel		1		P Wall Anchor		2	
G Top Rail		1		Q 4*8 Button Head Screw		23	2
H Top Panel		1		R Shelf Support		12	
I Middle Shelves		1		S Keys		4	
J Shelves		3		T Door Pivot Pin		2	

U	Long Pivot Pin		2	V	Shim		2	2
---	----------------	--	---	---	------	--	---	---

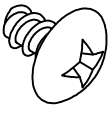
## SIZE COMPARISON CHART

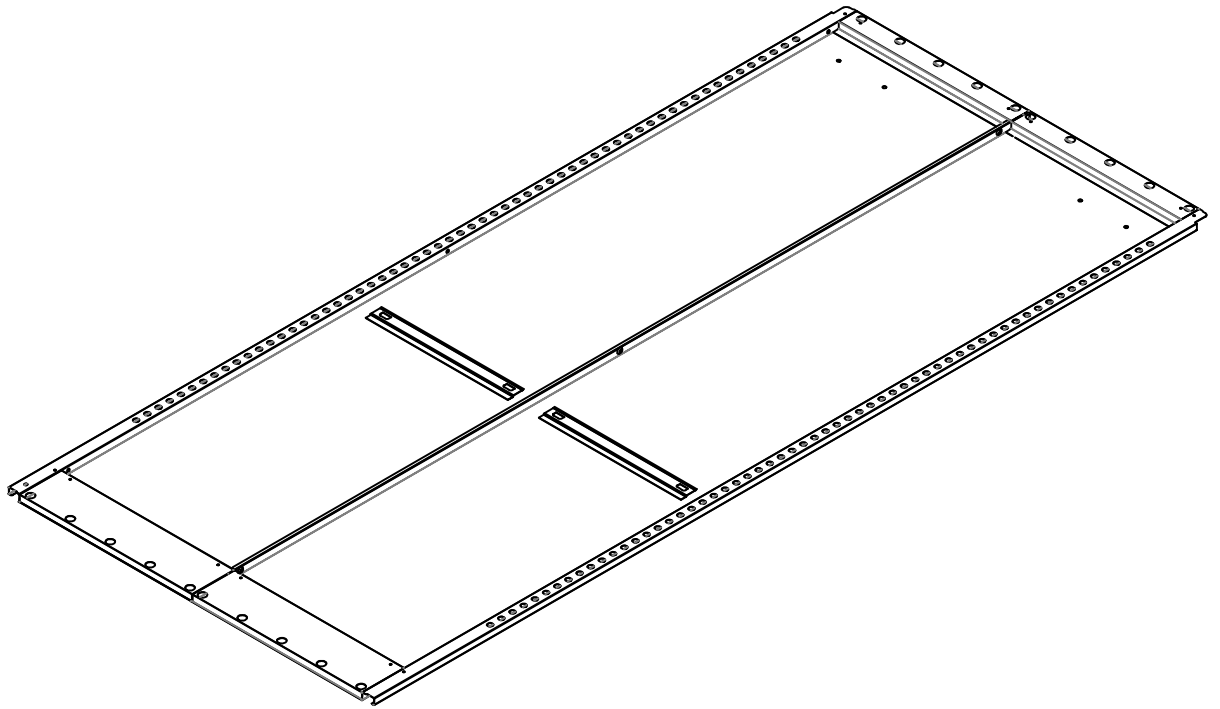
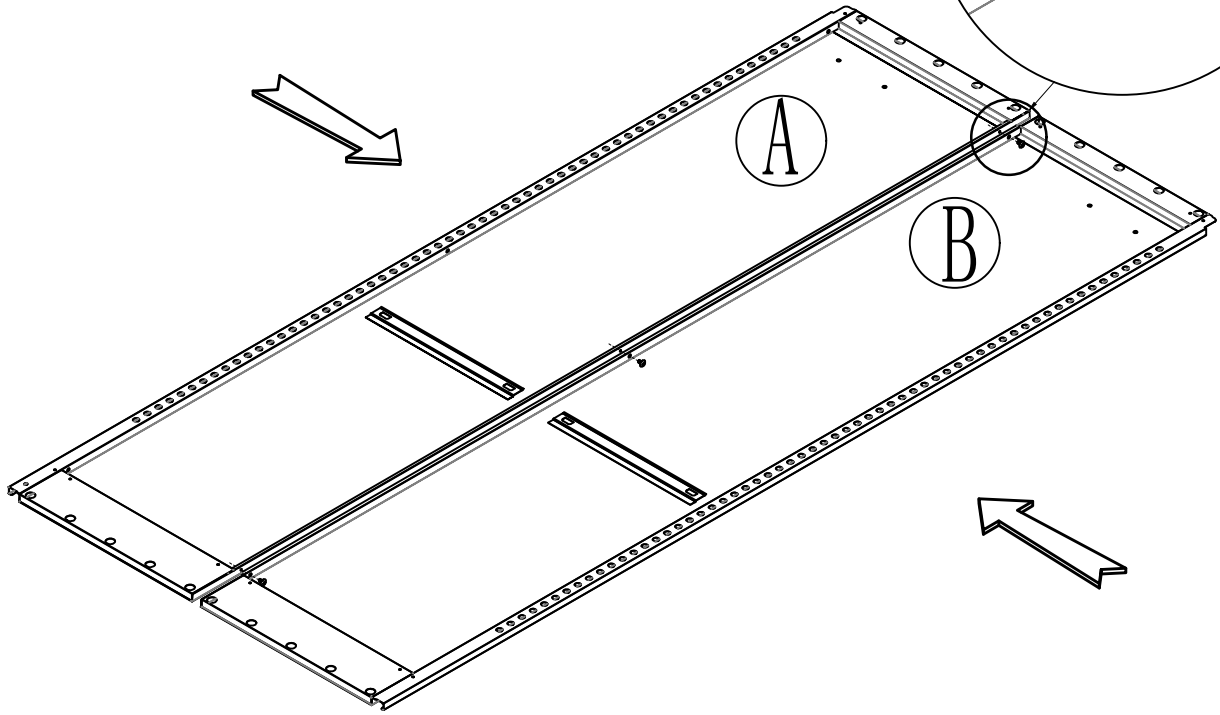
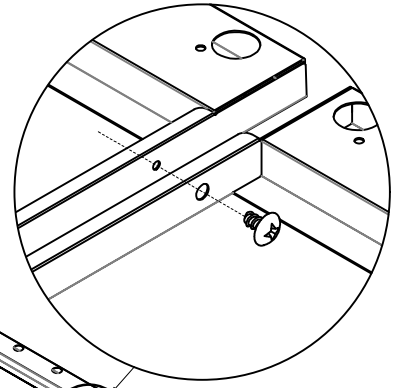
O	<p>1-3/16" Wall Anchor Screw          Vis d' ancrage muraille 30mm          Tornillo de anclaje a la pared          30mm</p>	
Q	<p>13/32" Screw          Vis 10mm          Tornillo 10mm</p>	

### **! CAUTION**

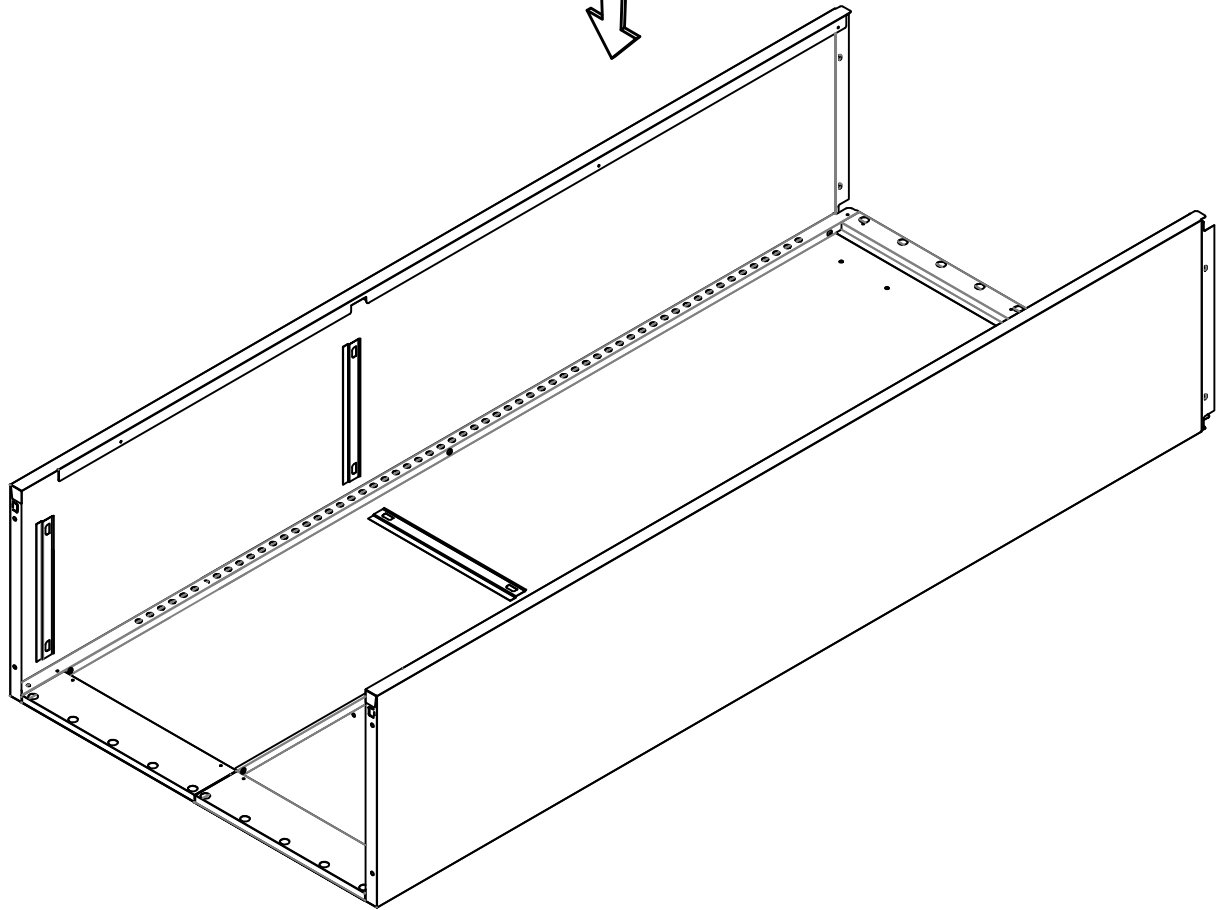
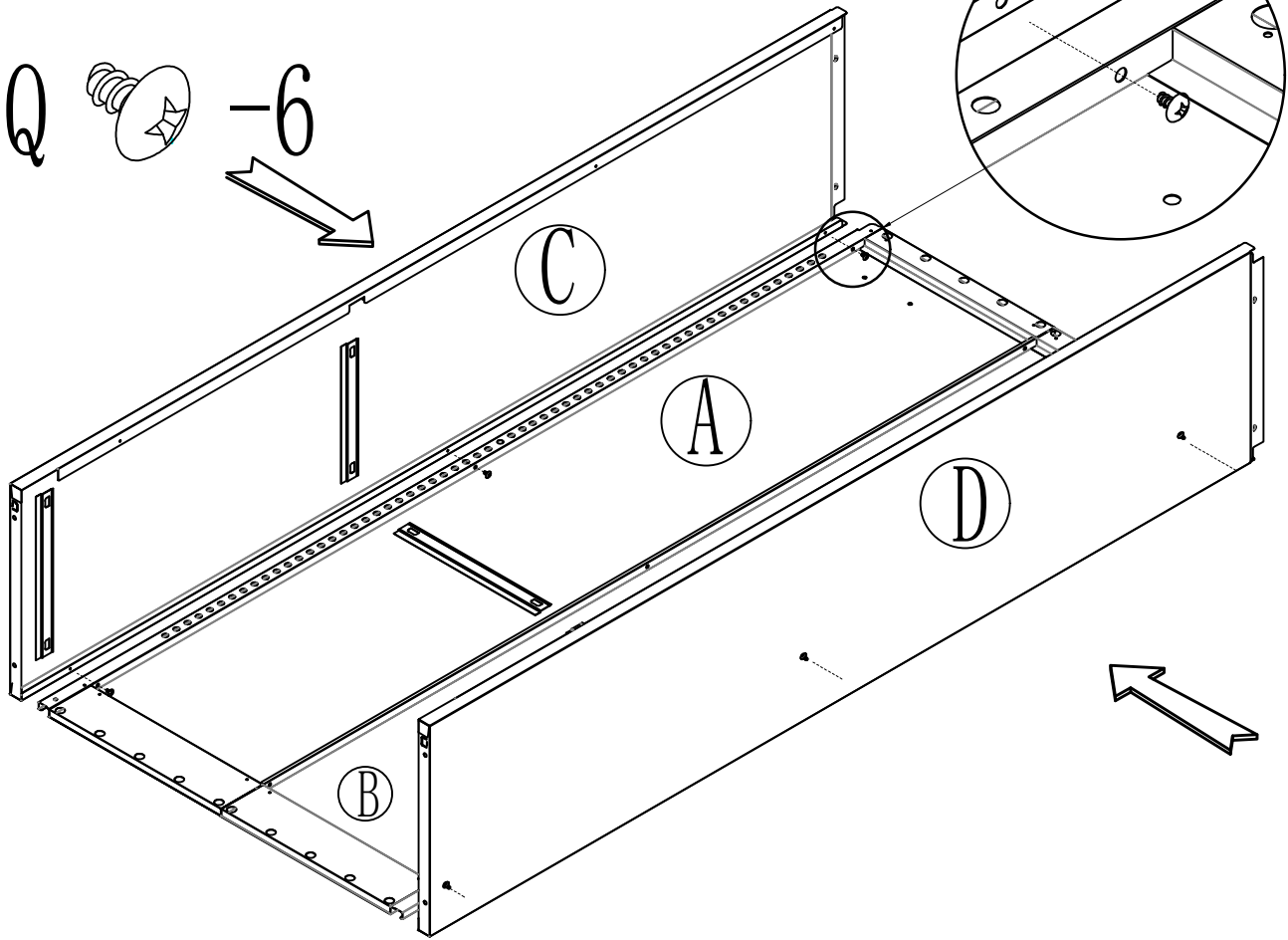
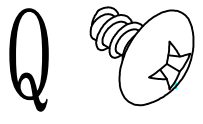
An assistant is required.  
 Es necesario un ayudante.  
 Un assistant est nécessaire.

step 1


Q  -3

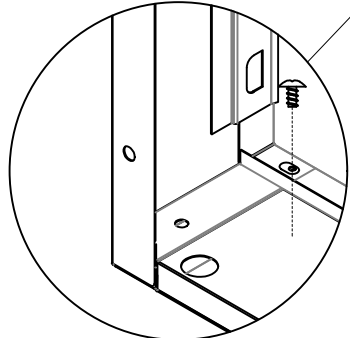
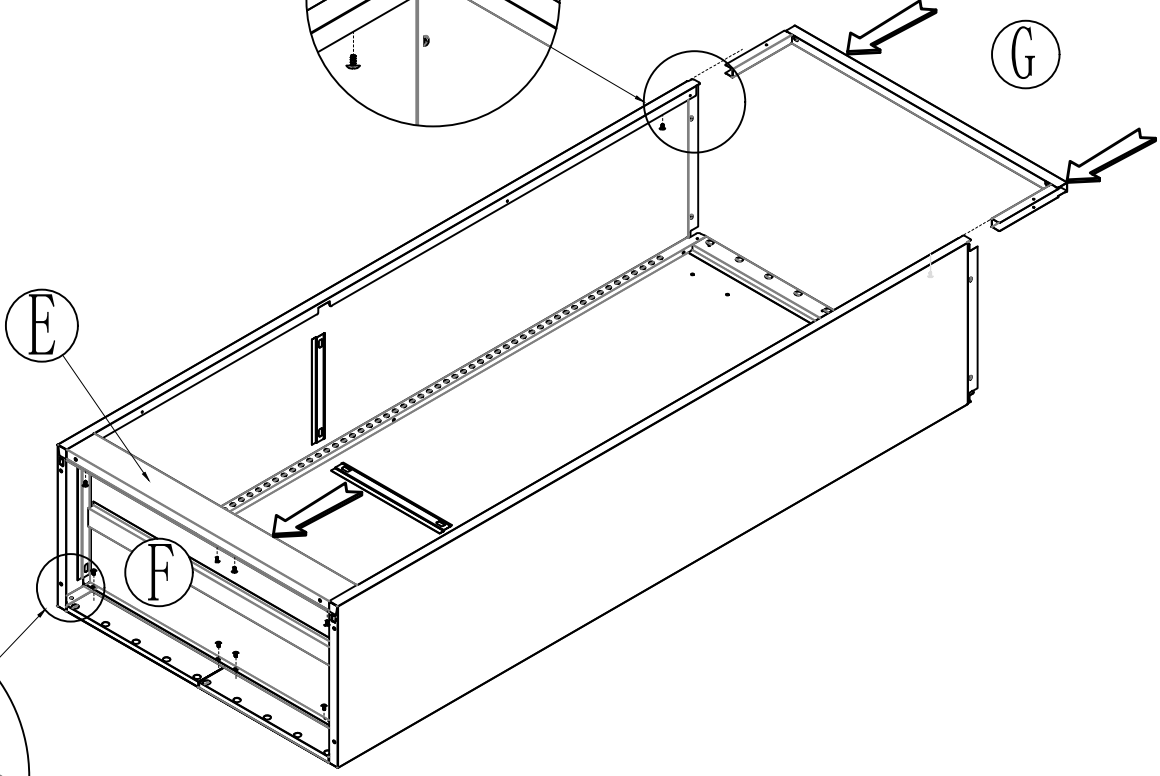
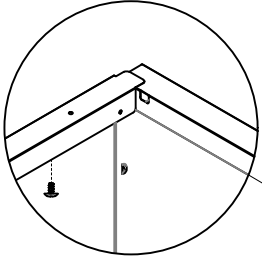
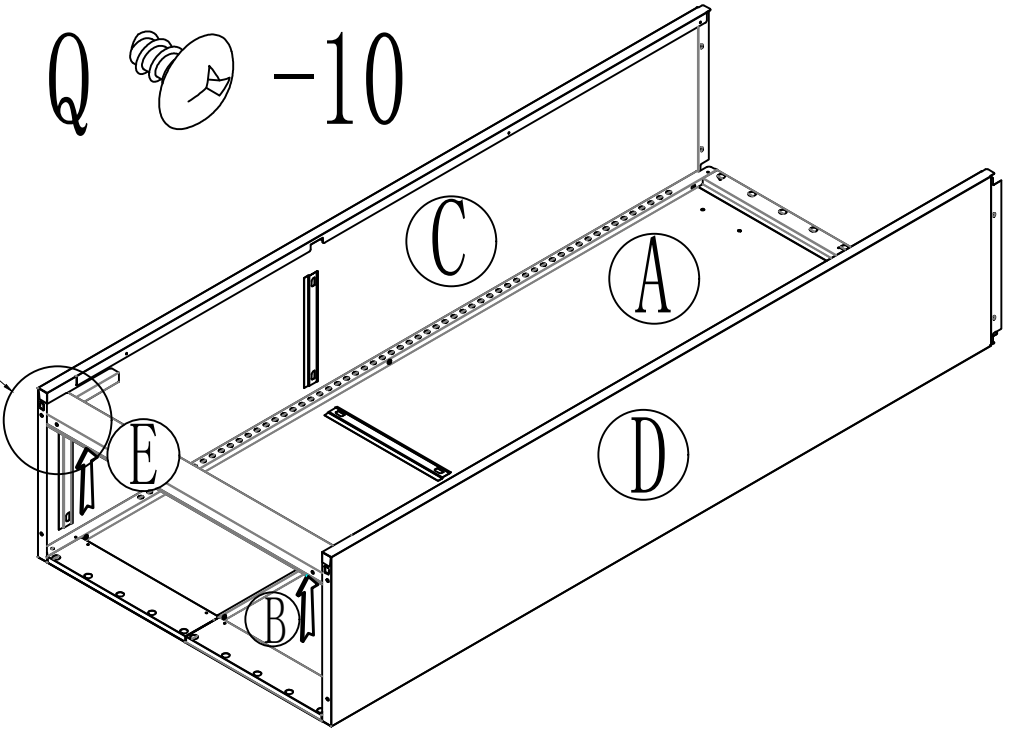
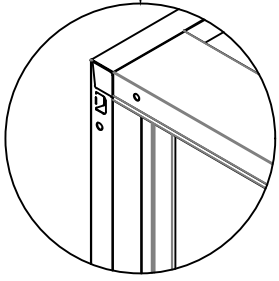
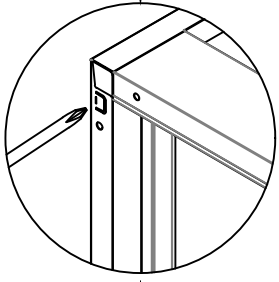
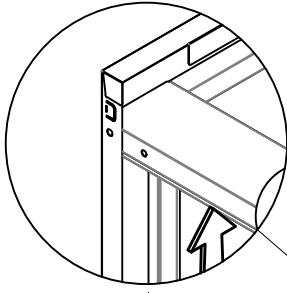


step 2

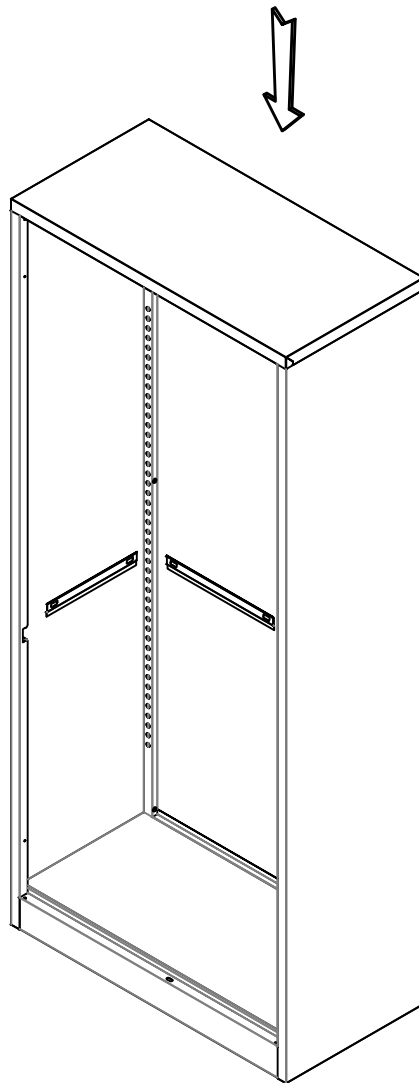
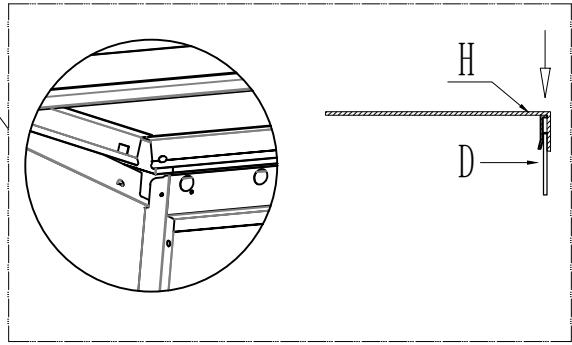
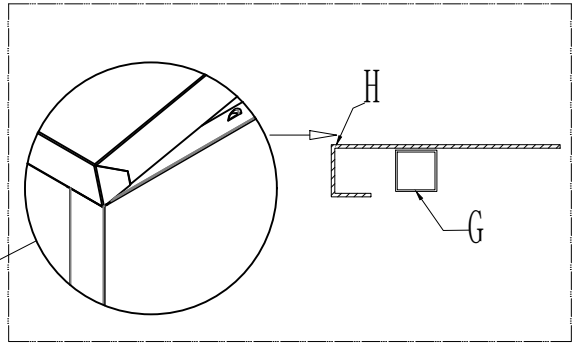
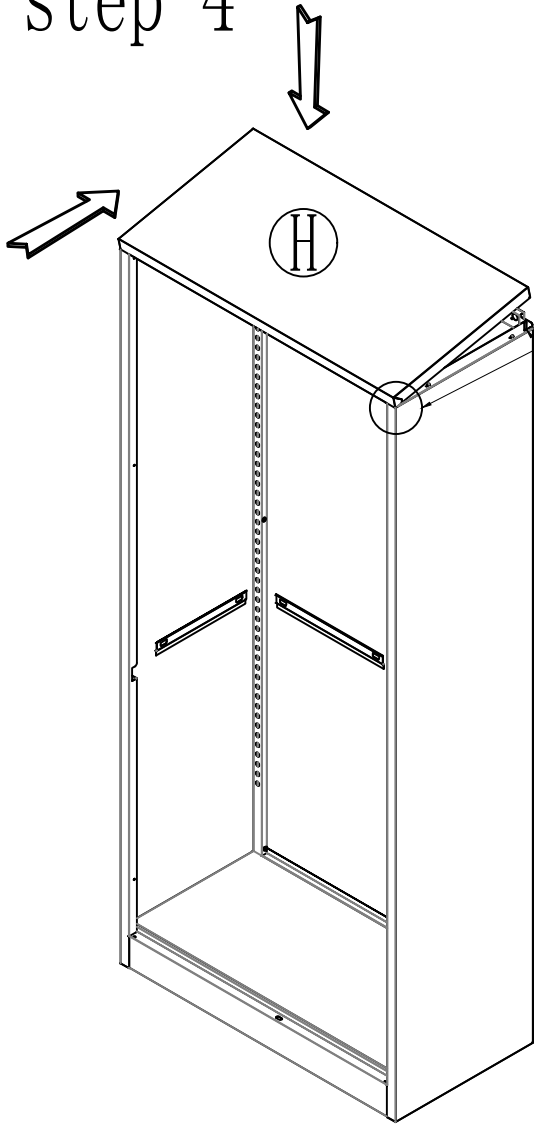


step 3


Q  -10

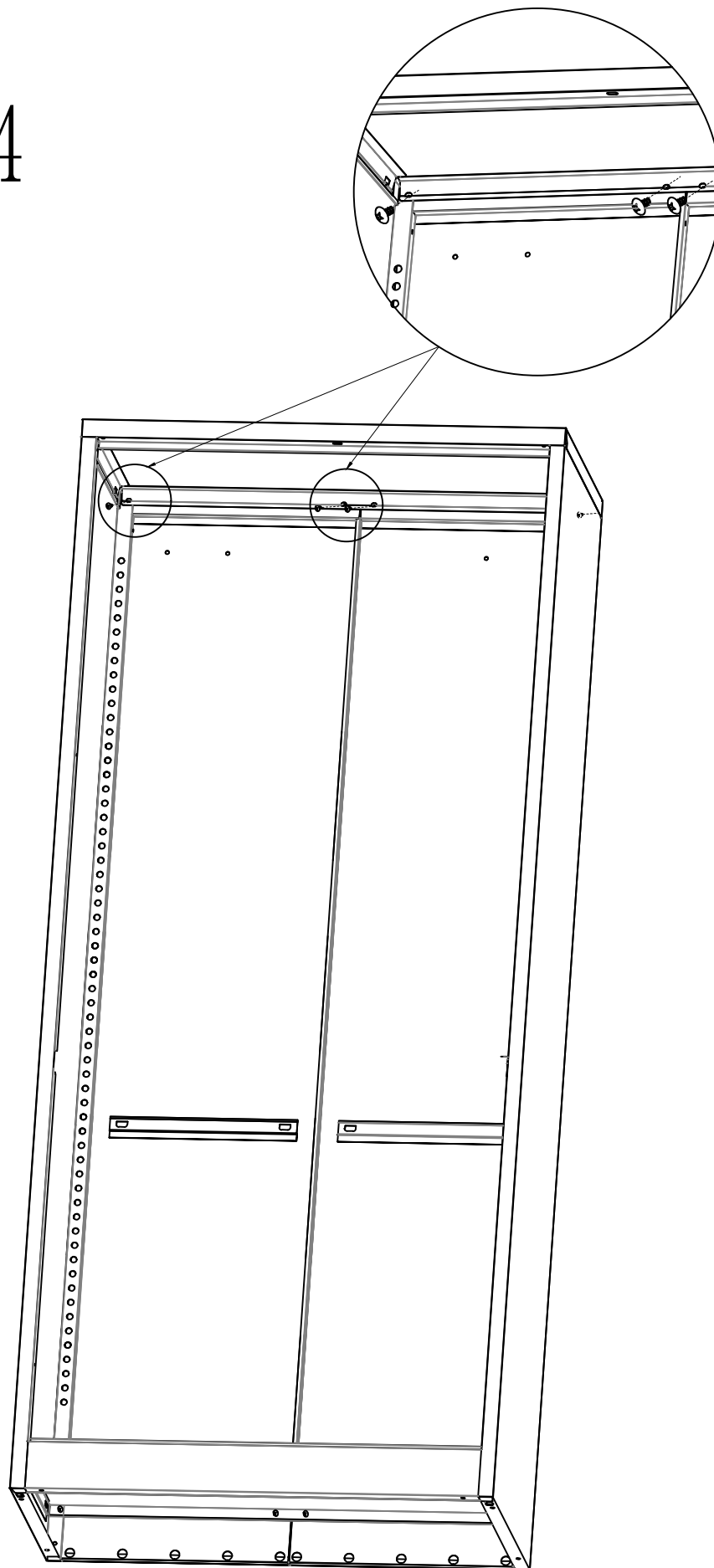


step 4

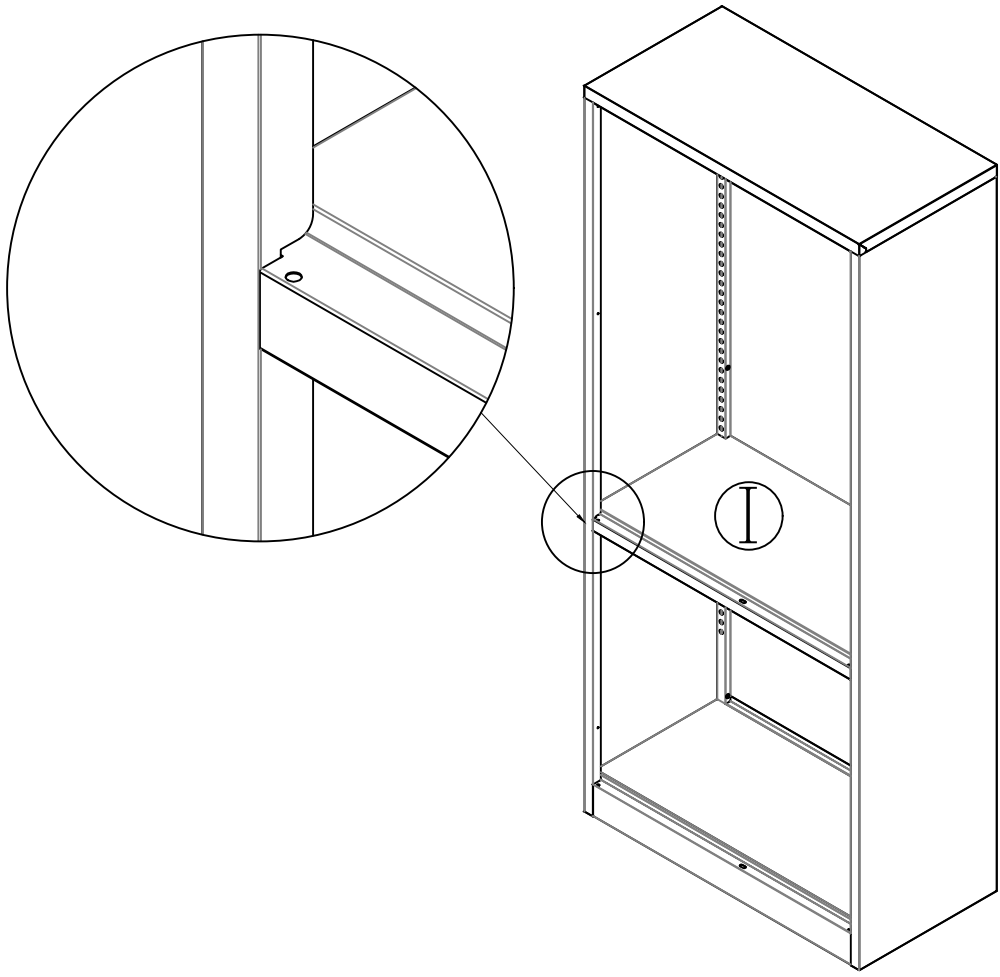
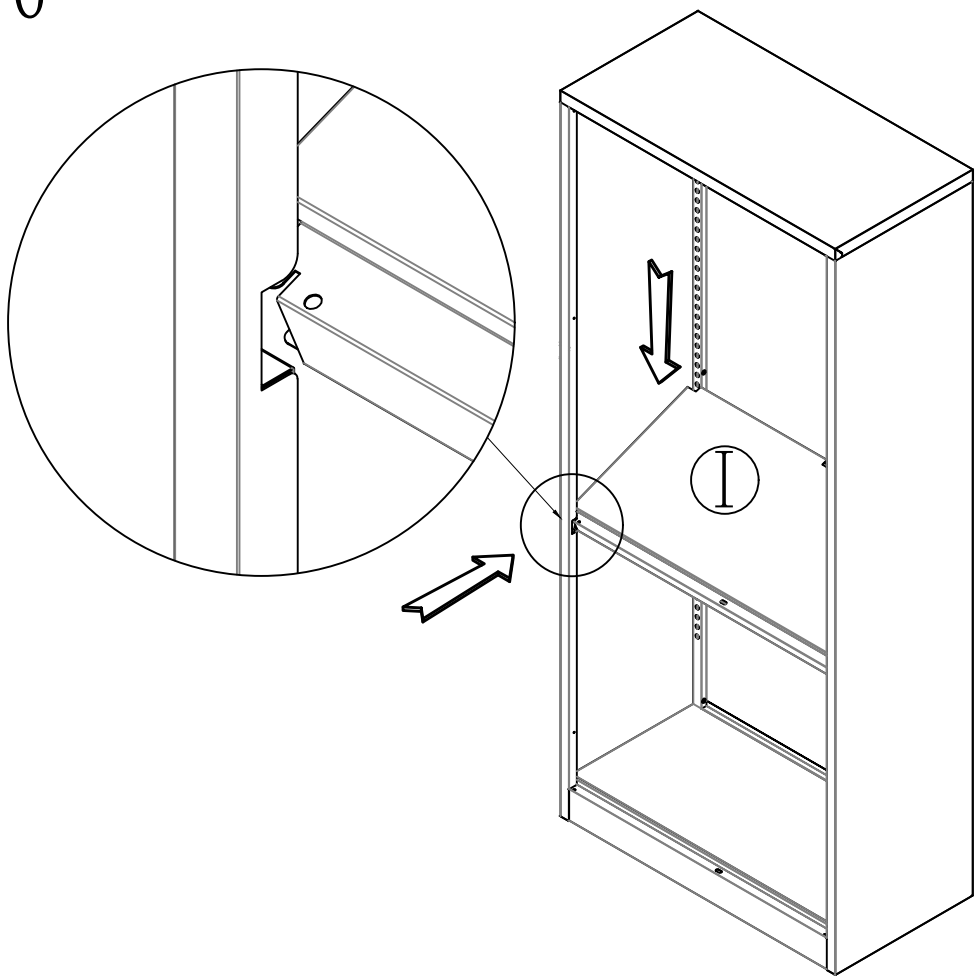


step 5


Q  -4



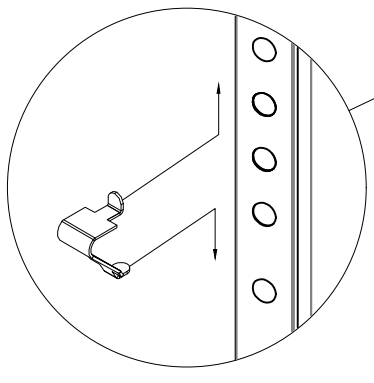
step 6



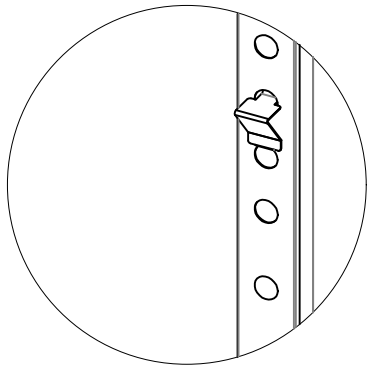
# step 7

R  -12

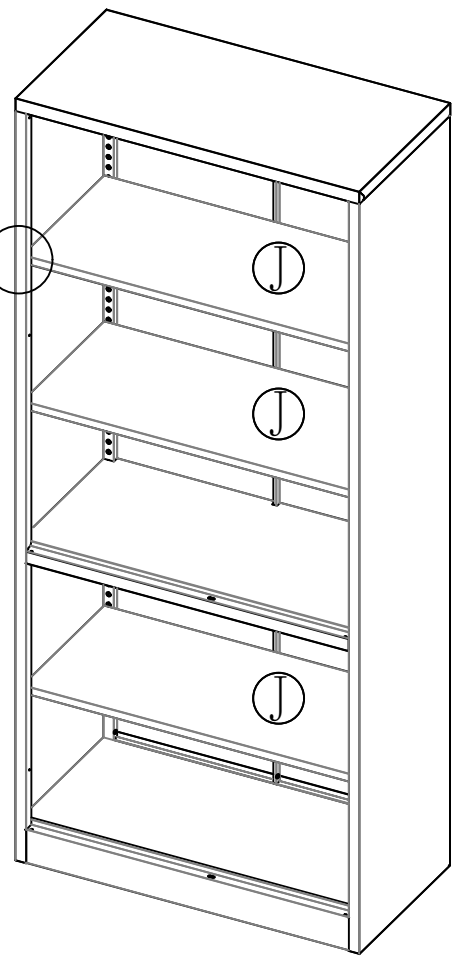
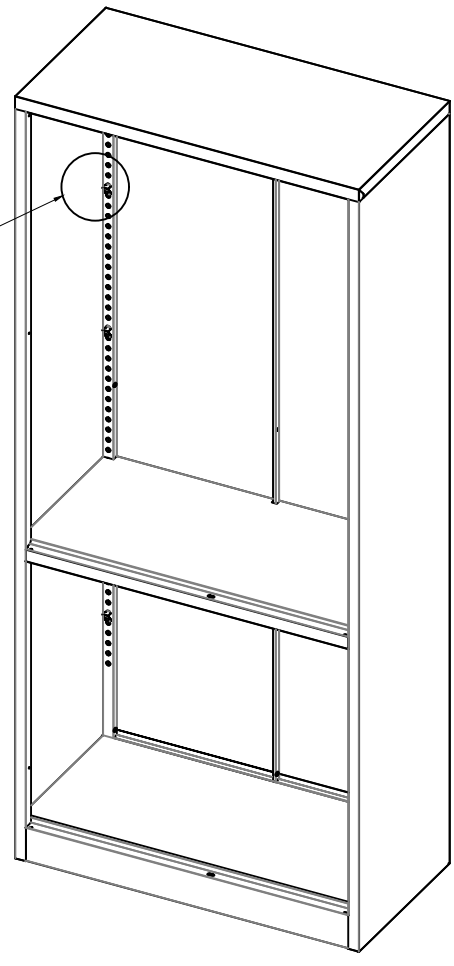
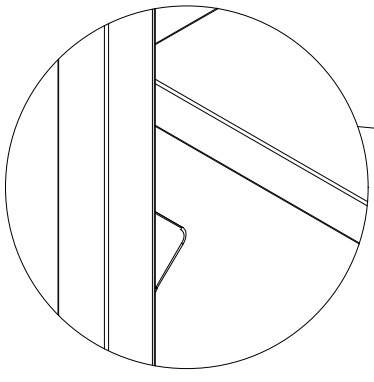
1




2





3

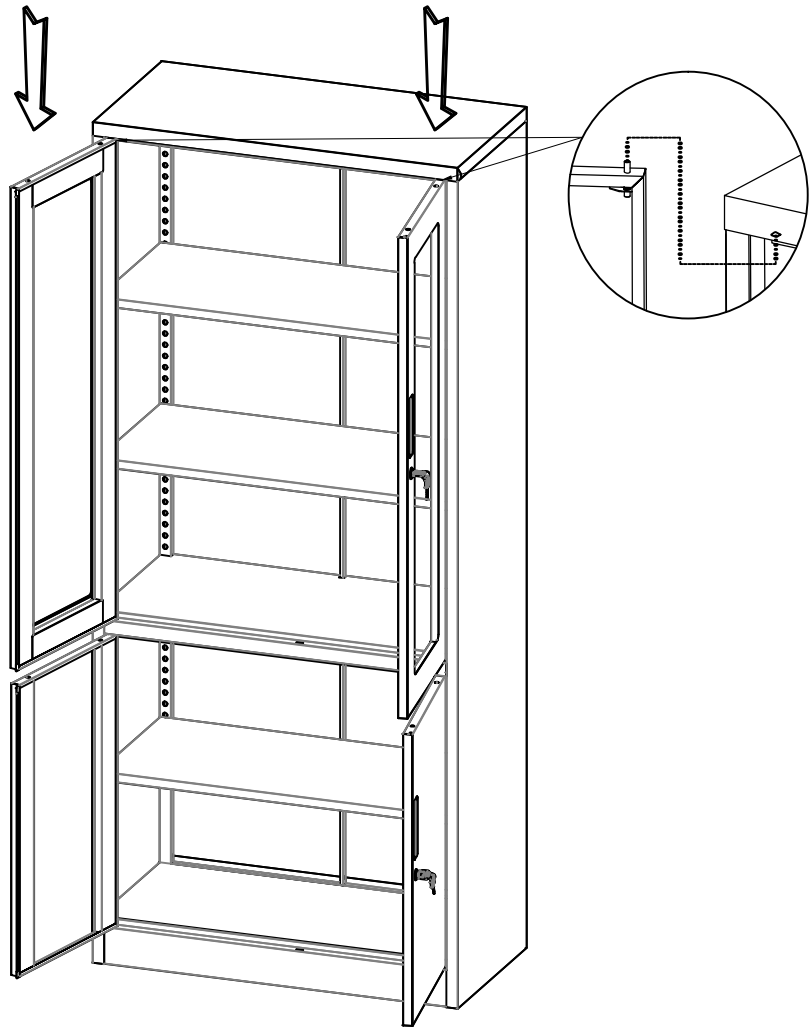
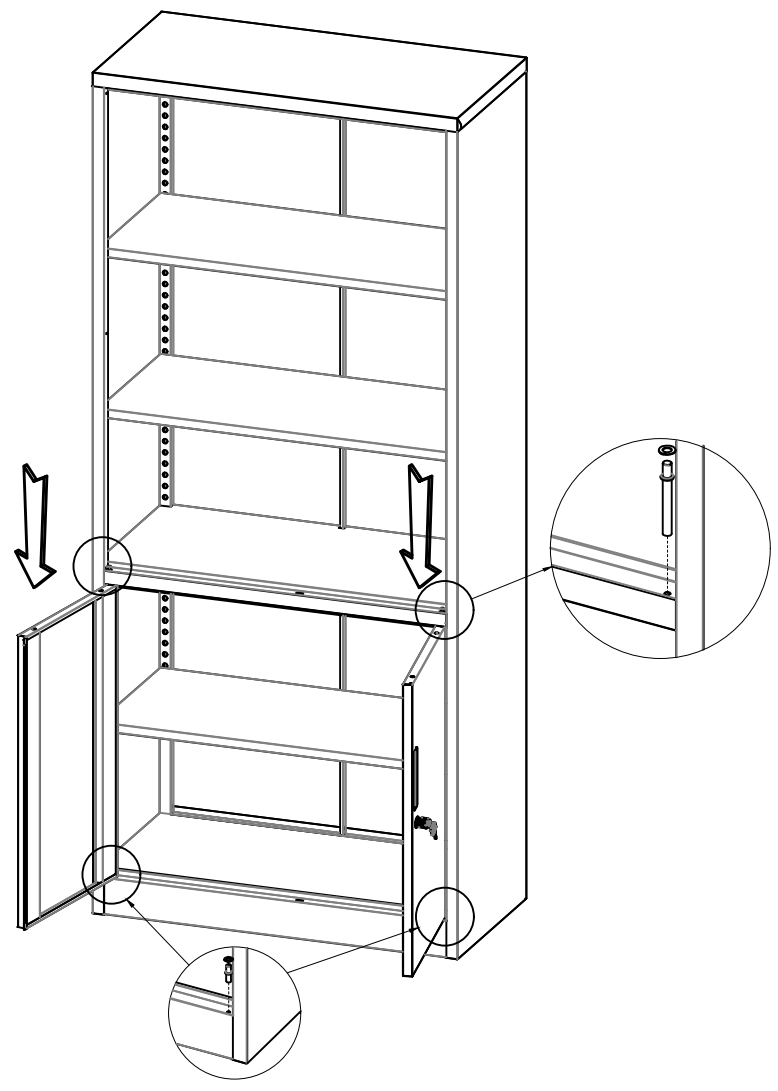


# step 8


U  -2

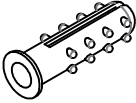
T  -2

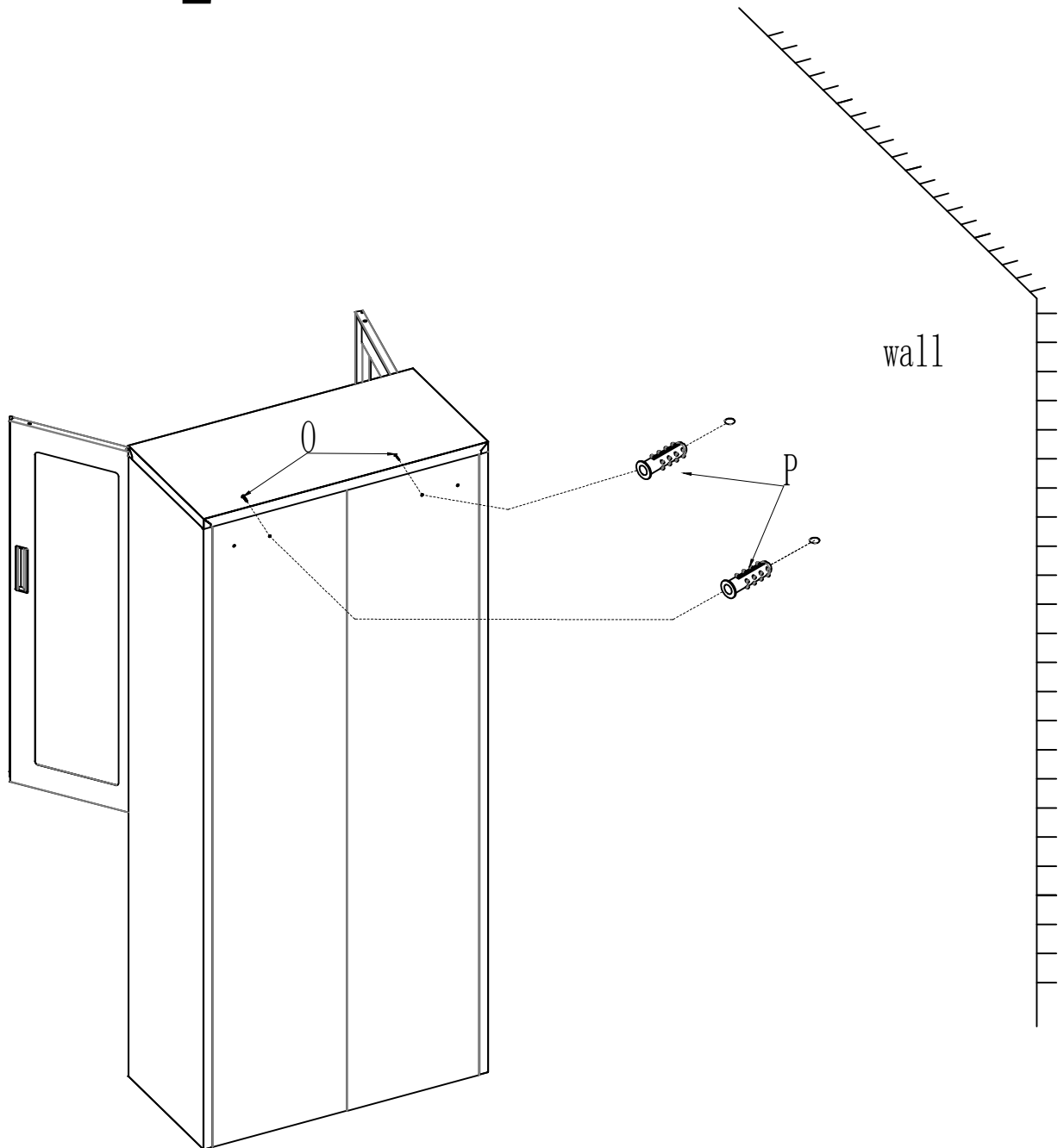
V  -4



# step 9

O  -2

P  -2



**AFTER ASSEMBLY IS COMPLETE, THE UNIT MUST BE SECURED TO A WALL.**  
FAILURE to mount the unit to a wall, can create a TIPPING HAZARD.

A tipping hazard is dangerous to yourself and others. Use wall anchor hardware that properly suits the installation of mounting this unit to a wall

# step 10

This Product is designed for stationary use only.  
Do not use it with any type of mobile cabinet conversion device.

