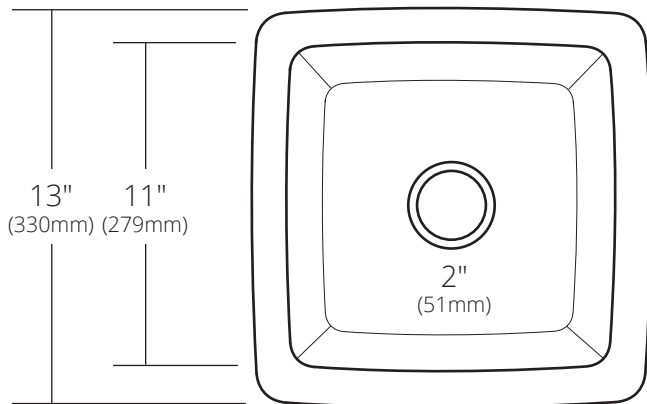


SPECIFICATIONS

RINCON



TOP VIEW



CPS247 Antique
CPS547 Brushed Nickel

PRODUCT DETAILS

- 13" x 13" x 6.5" OD (330mm x 330mm x 165mm)
- 11" x 11" x 6" ID (279mm x 279mm x 152mm)
- Hand hammered 16 gauge recycled copper
- 2" (51mm) drain opening

INSTALLATION

- Undermount

COORDINATING PRODUCTS

- Drain: DR220

STANDARDS COMPLIANCE

- UPC/cUPC compliant

IMPORTANT

Due to the handcrafted nature of this product, it will vary in finish, texture, hammering, and other details. Dimensions may vary up to ¼" (6mm). We strongly recommend waiting for the actual product before making any installation cuts.

SIDE VIEW

