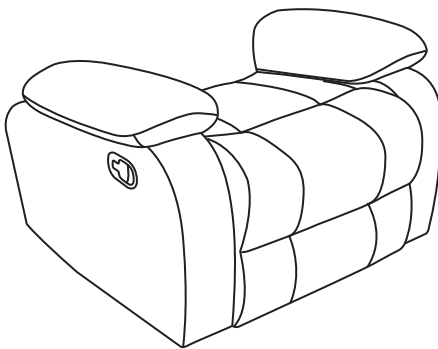
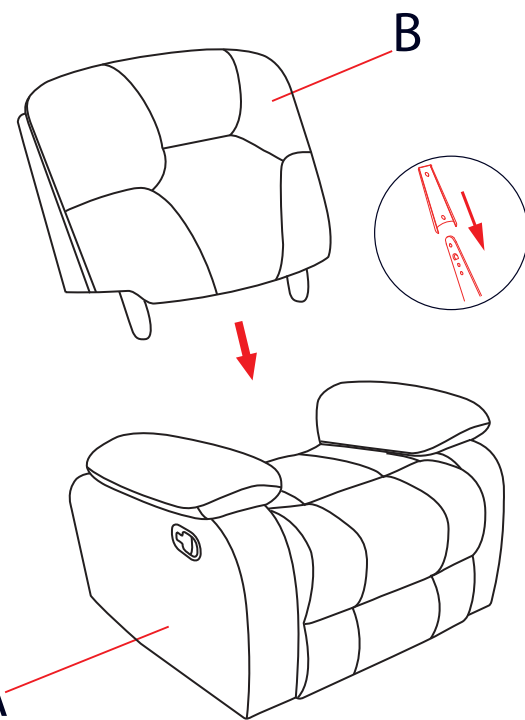
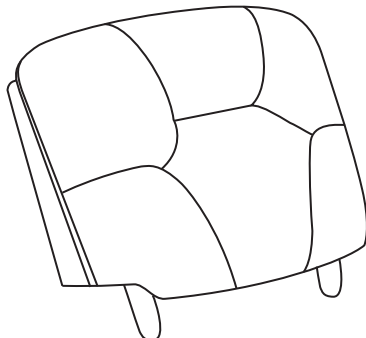
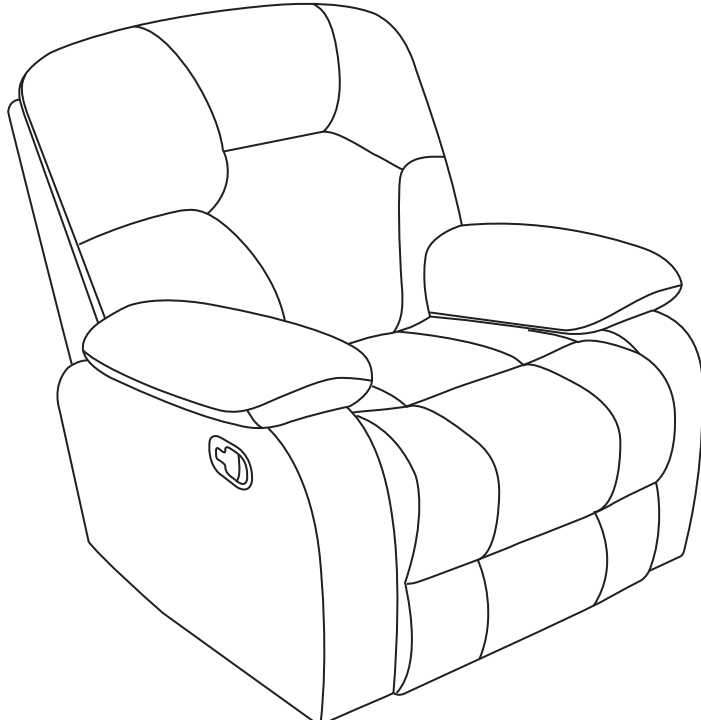


# ASSEMBLY INSTRUCTION

## CHAIR

<p><b>A</b></p>  <p>1PC</p>	<p><b>①</b></p>  <p><b>B</b></p> <p><b>A</b></p>
<p><b>B</b></p>  <p>1PC</p>	

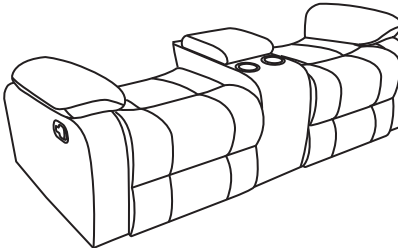
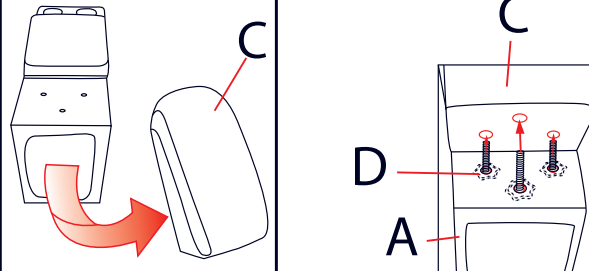
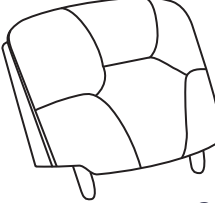

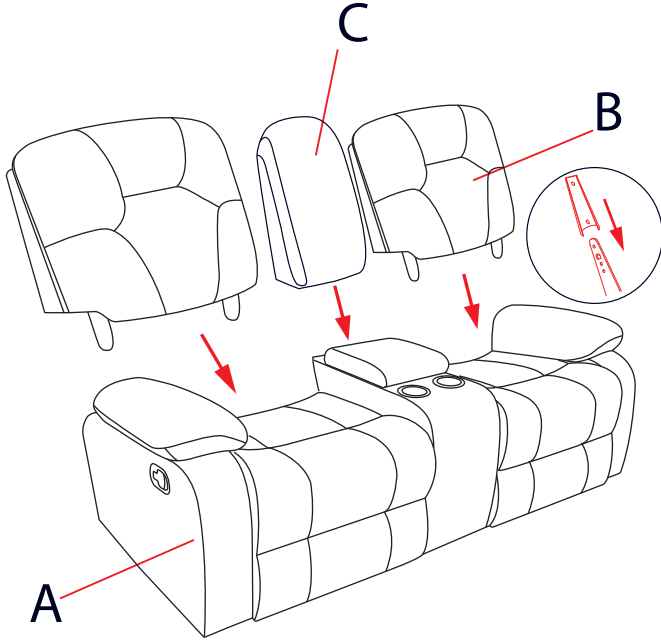
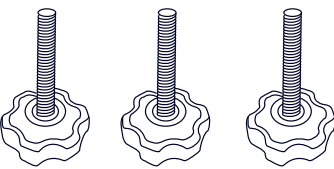
**②**



# ASSEMBLY INSTRUCTION

## LOVESEAT

LOCATION OF LOVESEAT CONSOLE:  
CHECK BEHIND:  
LOWER BACK OF THE LOVESEAT.  
OPEN FLAP TO FIND A ZIPPER COMPARTMENT.

<p><b>A</b></p>  <p>1PC</p>	<p><b>①</b></p> 	
<p><b>B</b></p>  <p>2PC</p>	<p><b>C</b></p>  <p>1PC</p>	 <p><b>A</b></p>
<p><b>D</b></p>  <p>3PC</p>		
<p><b>②</b></p> 