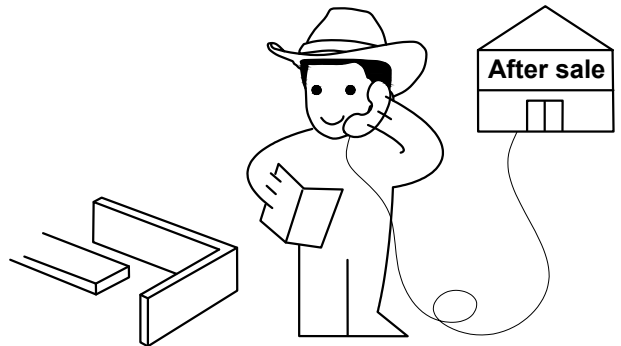
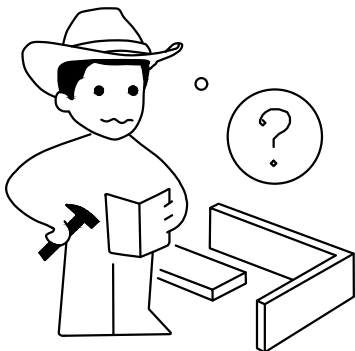
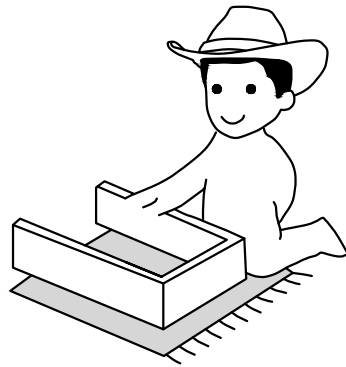
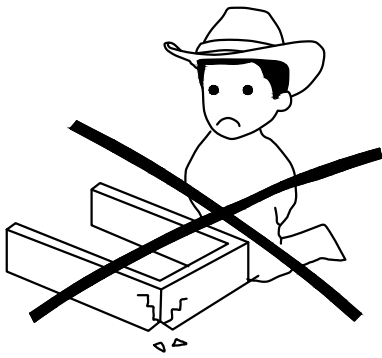
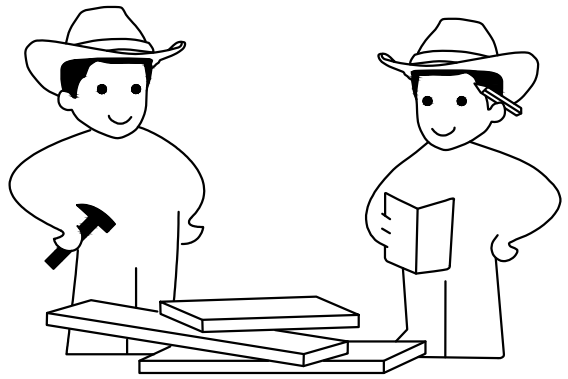
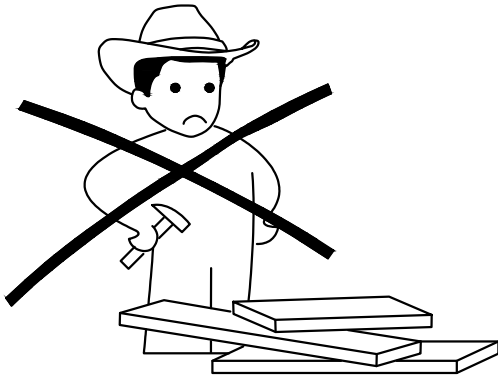
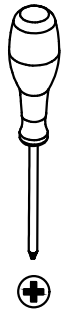
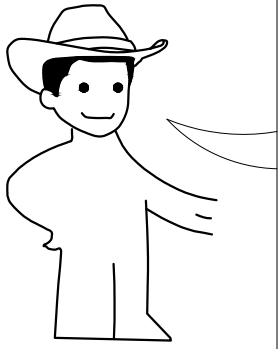
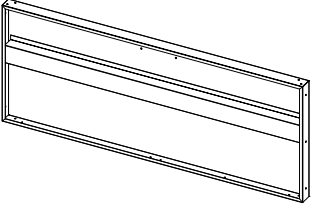
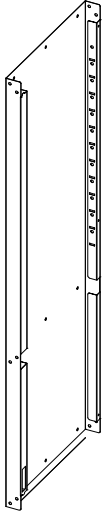
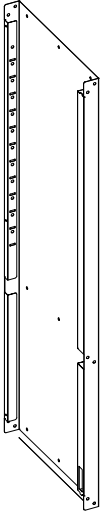
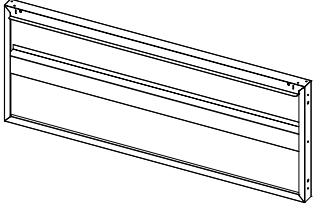
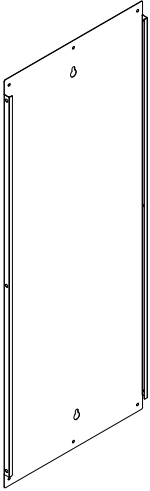
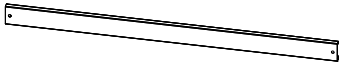
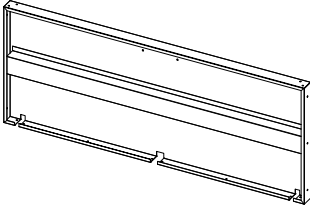
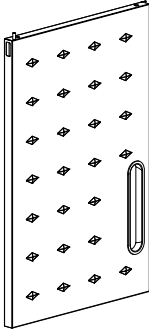
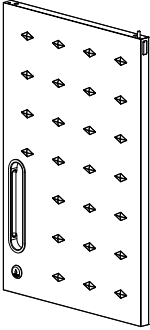
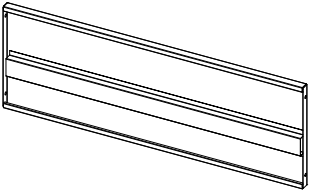



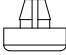

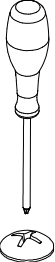

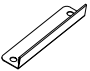
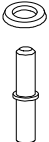
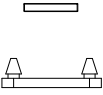
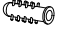


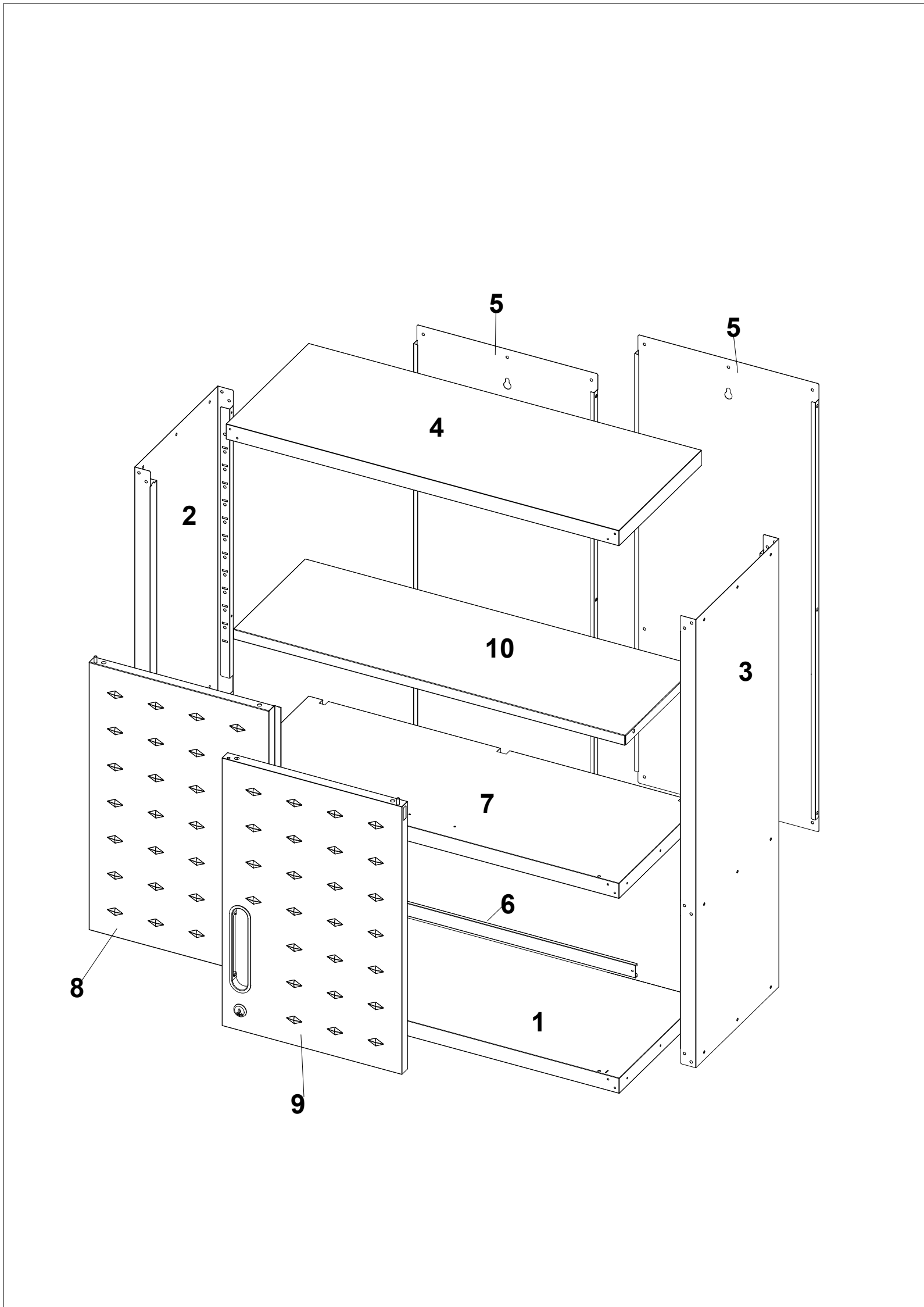


Installation video

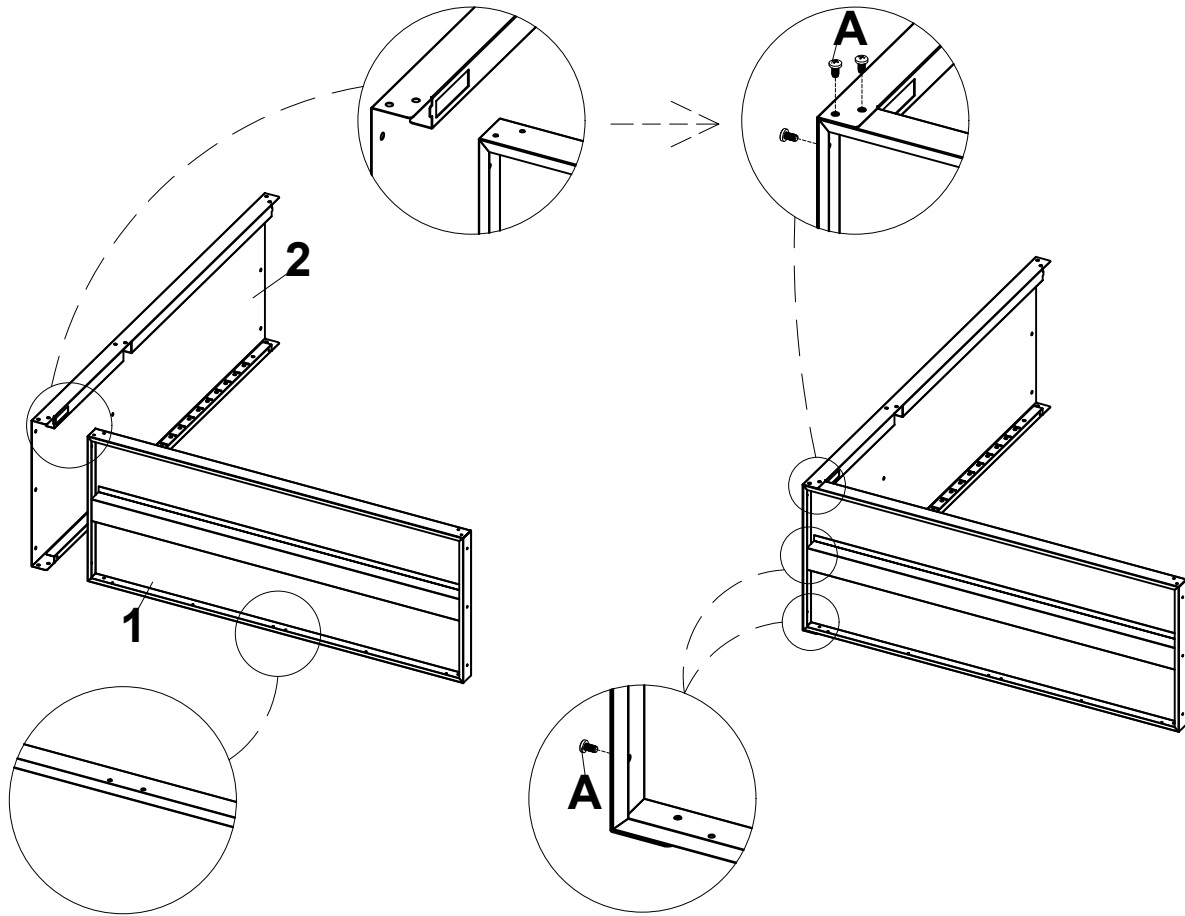


1x1		2x1		3x1		4x1	
							
5x2		6x1		7x1		8x1	
							
9x1		10x1		Ax64	Cx3	Fx4pcs	Qx4
				 M4x 8mm 0.3inch	 		
Sx1	Rx2	Ux4	Vx4				
			 M8  M5  M5x40 mm				

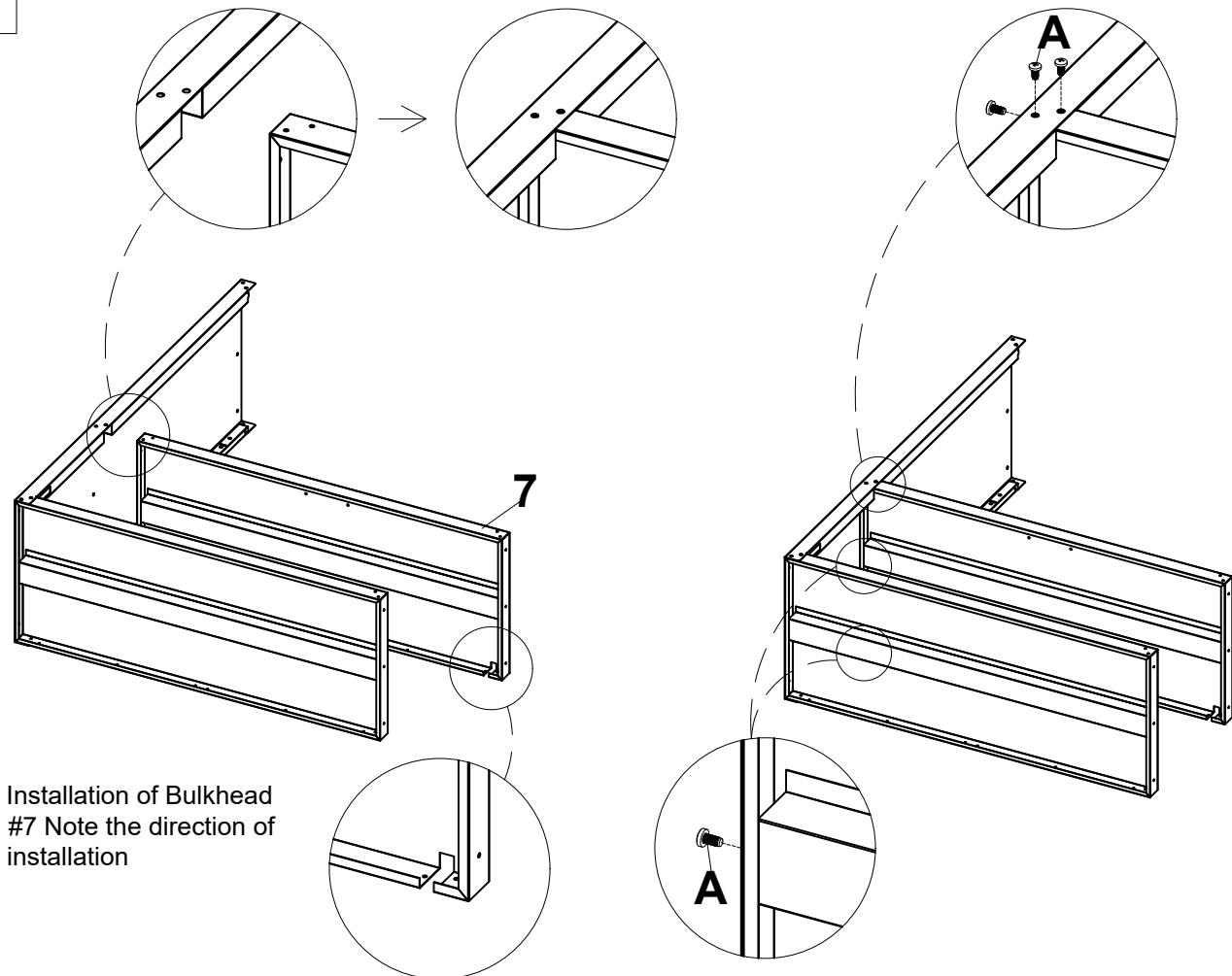


1

Align the lower buckle of side panel 2 with the slot at the top of the toolbox bottom plate, and then lower it down so that side panel 2 is stuck at the top of the toolbox floor



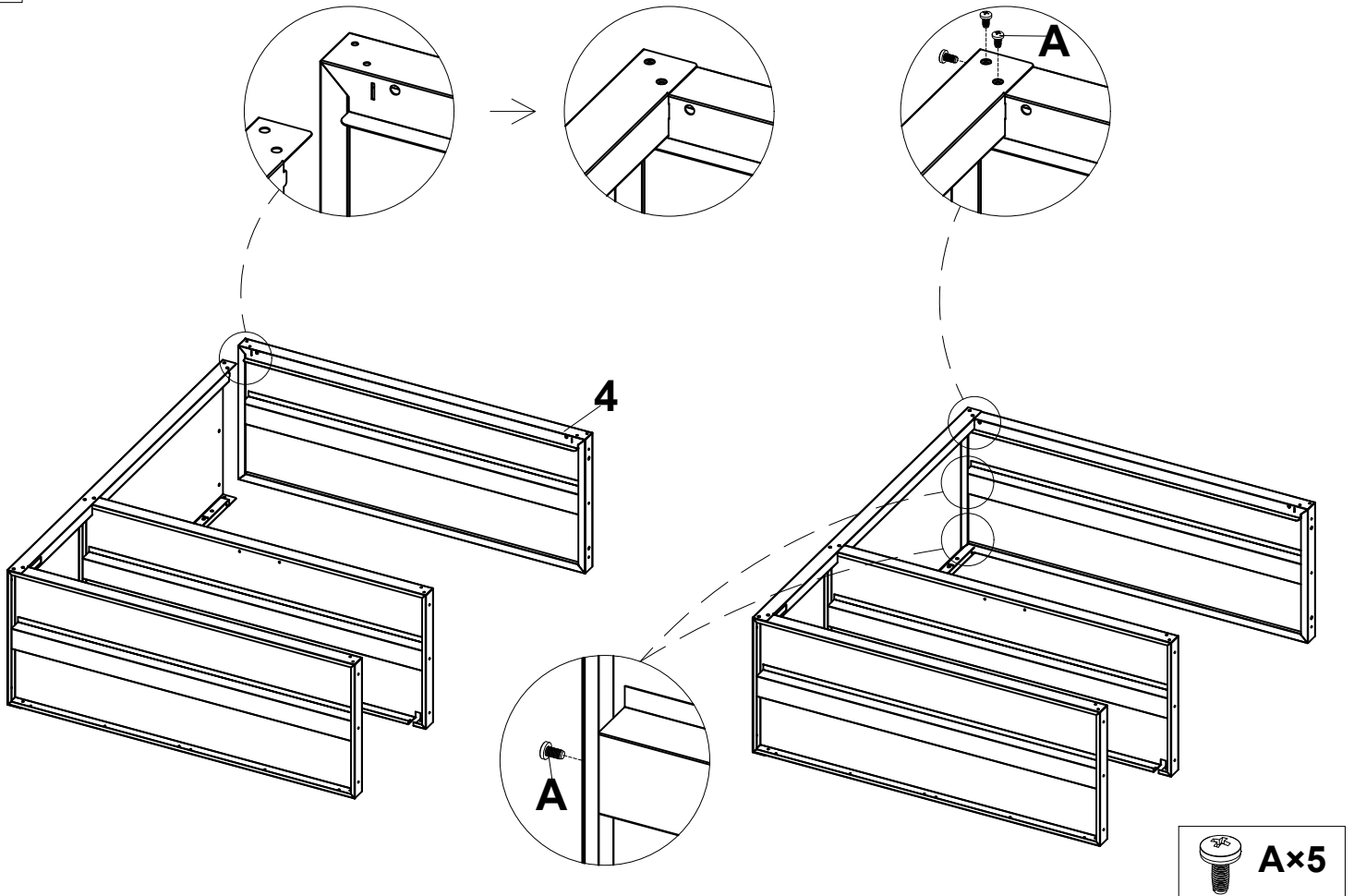
2



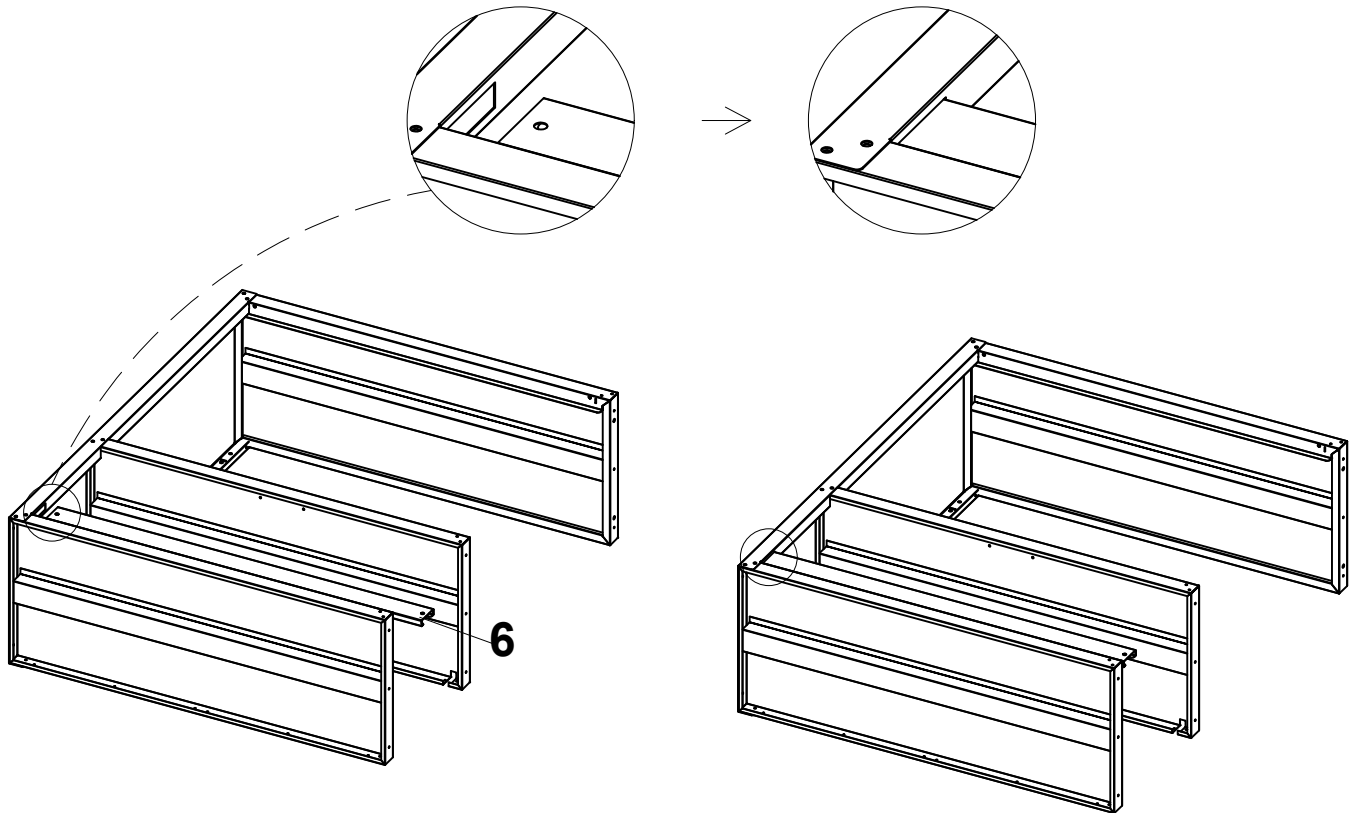
Installation of Bulkhead #7 Note the direction of installation



3

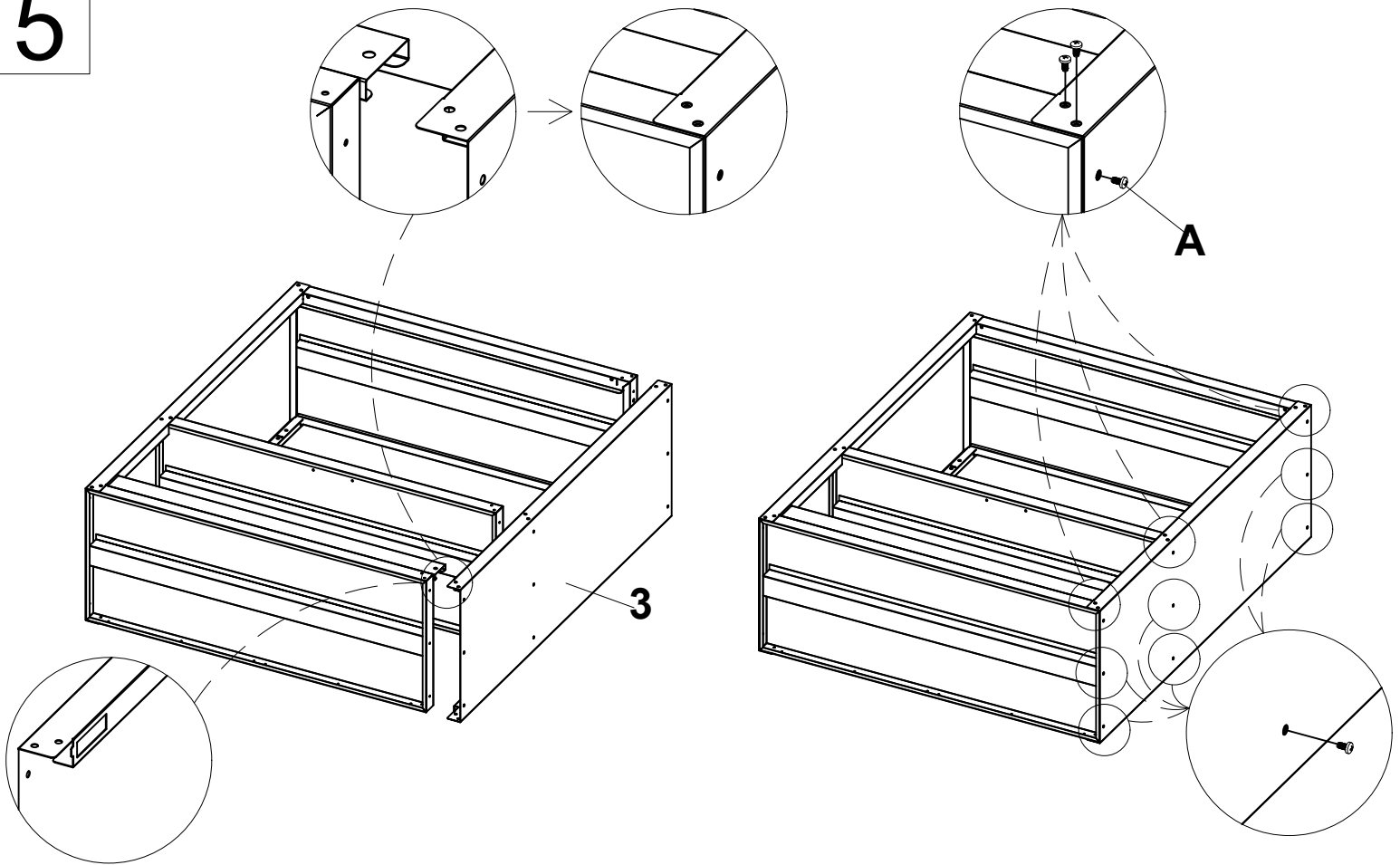


4



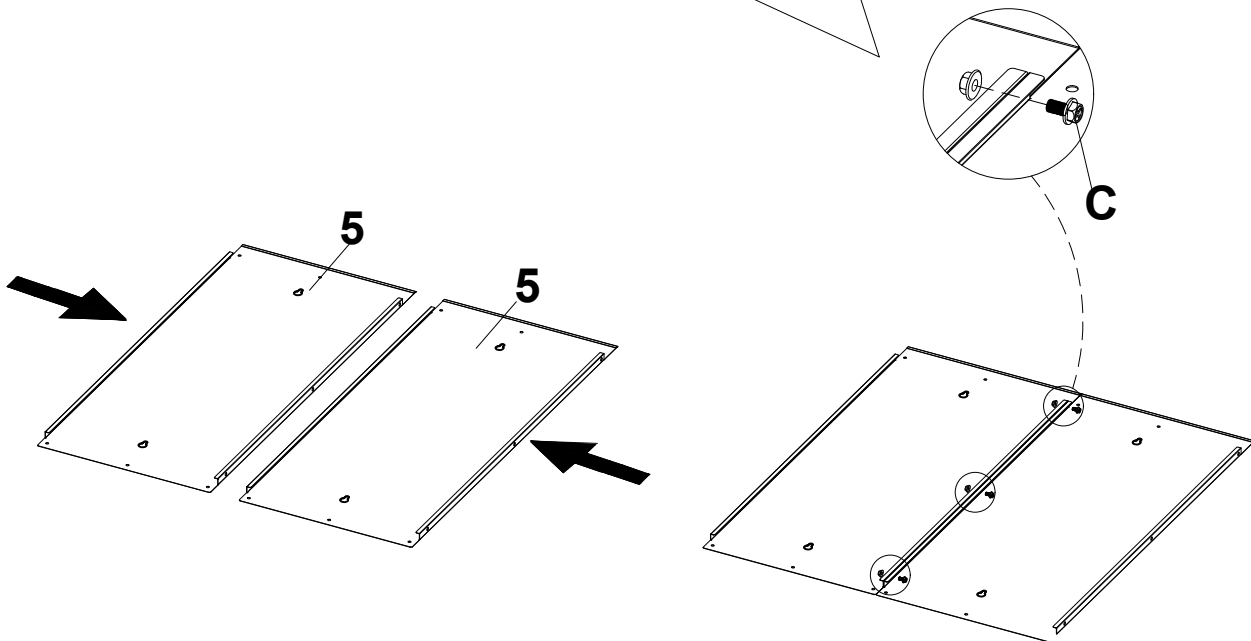
Installation of #6 crossbar Note the direction of installation

5

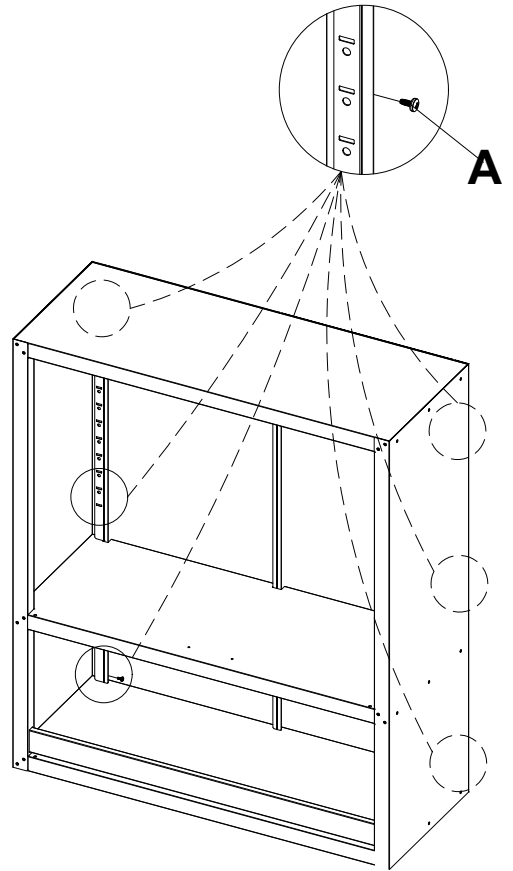
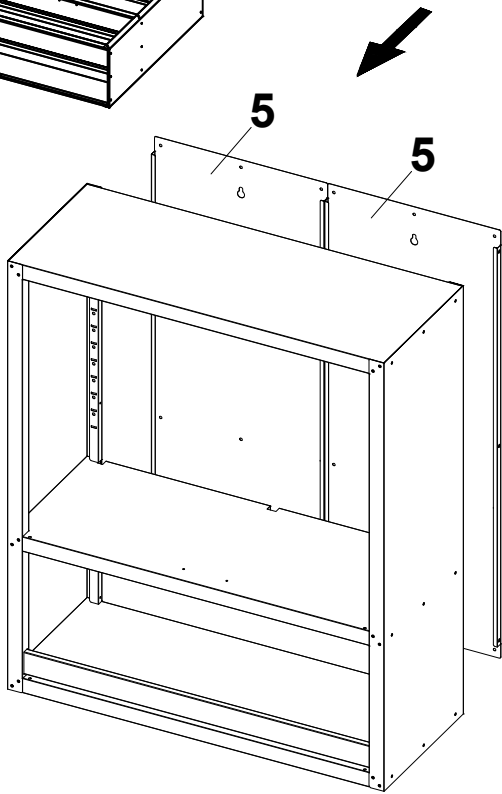
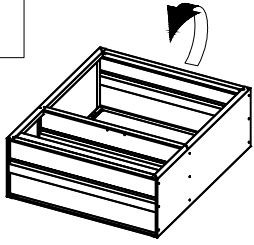


6

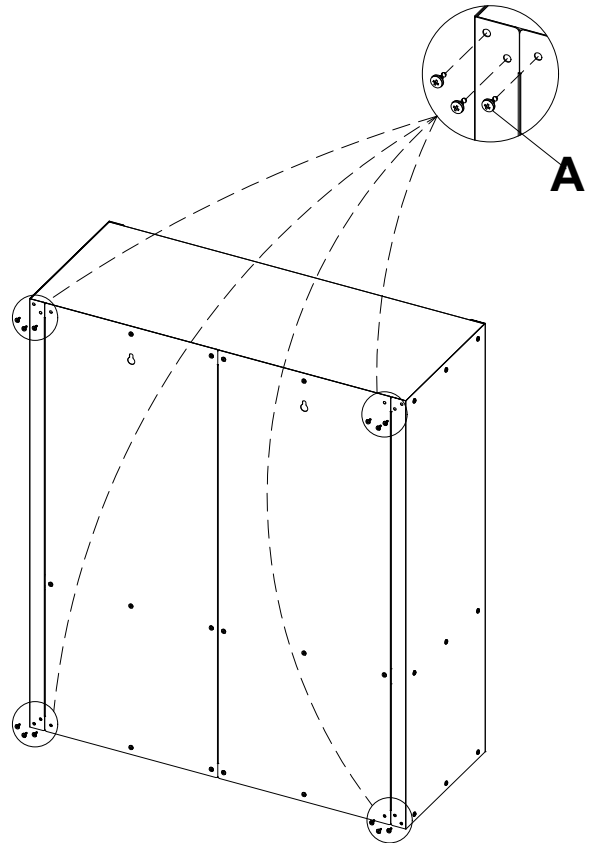
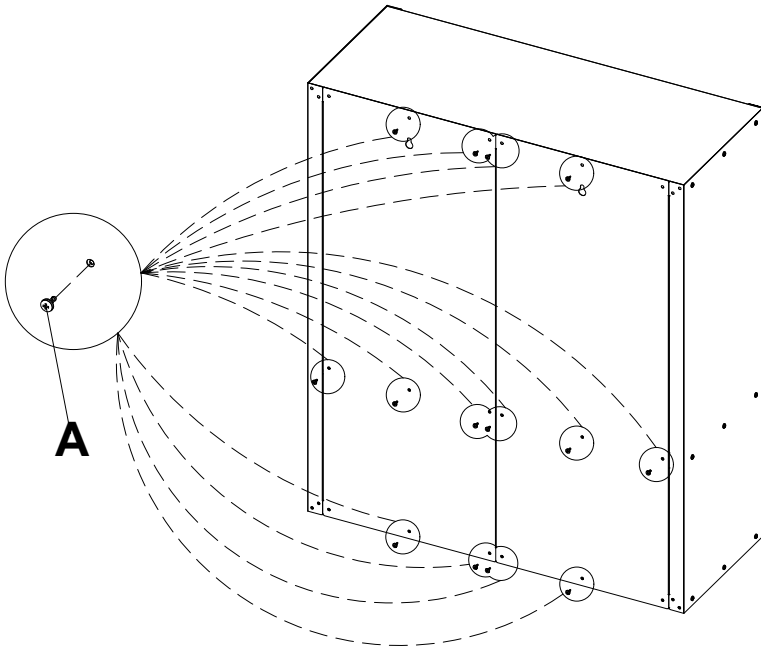
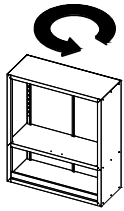
put three bolts and nuts to hold them in place



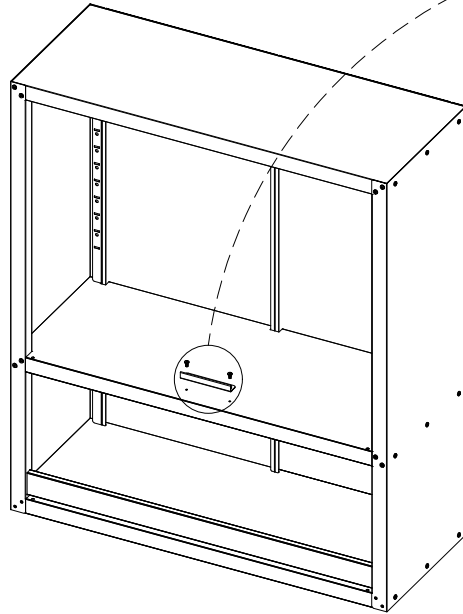
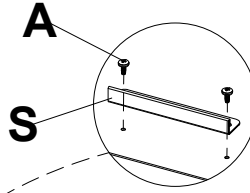
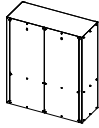
7



8



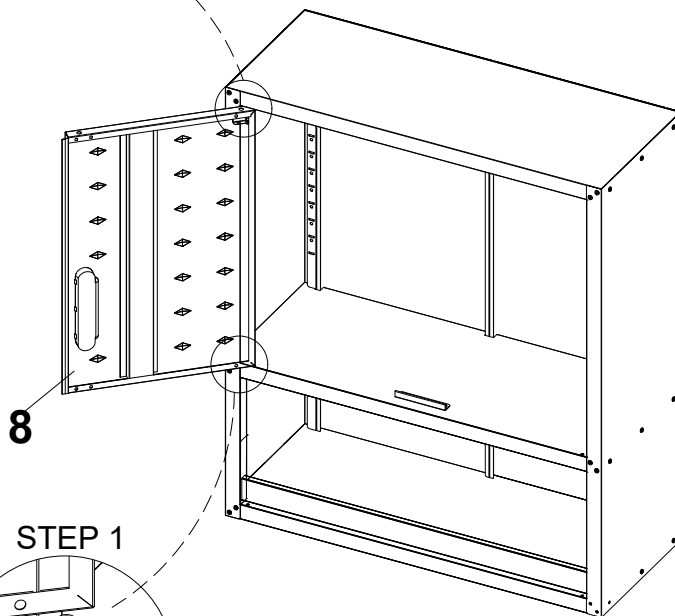
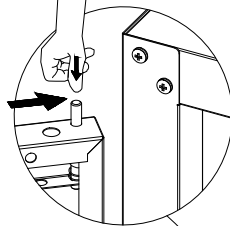
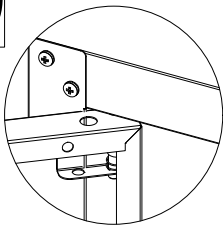
9



10

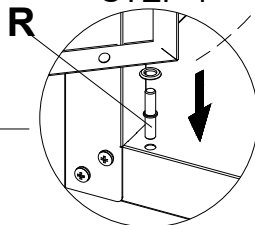
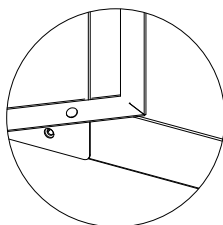
STEP 2

Installation according to step 1 and step 2



8

STEP 1

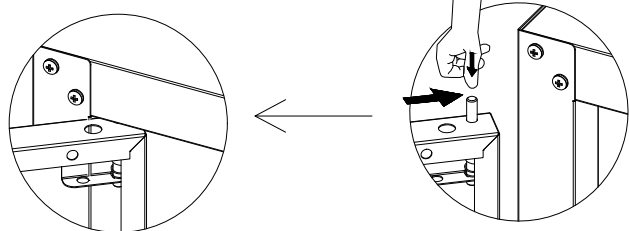


R

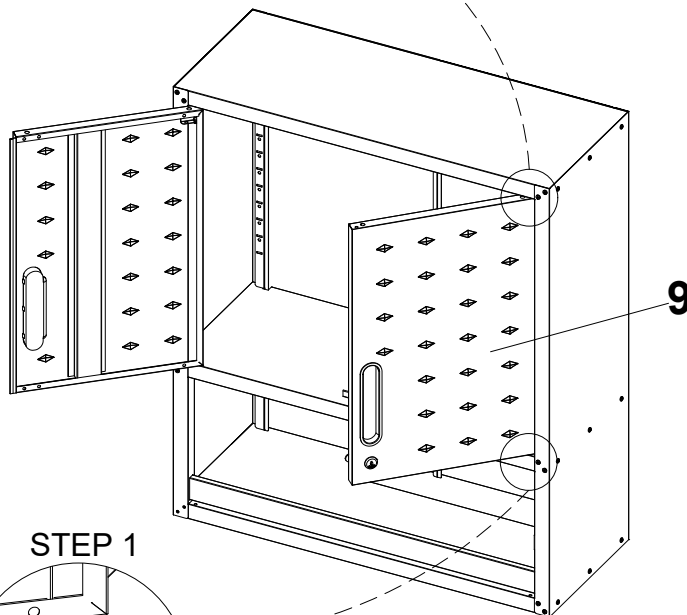


11

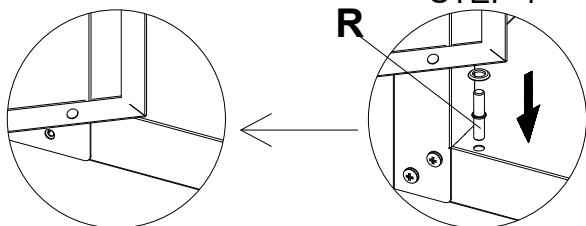
STEP 2



Installation according to step 1 and step 2

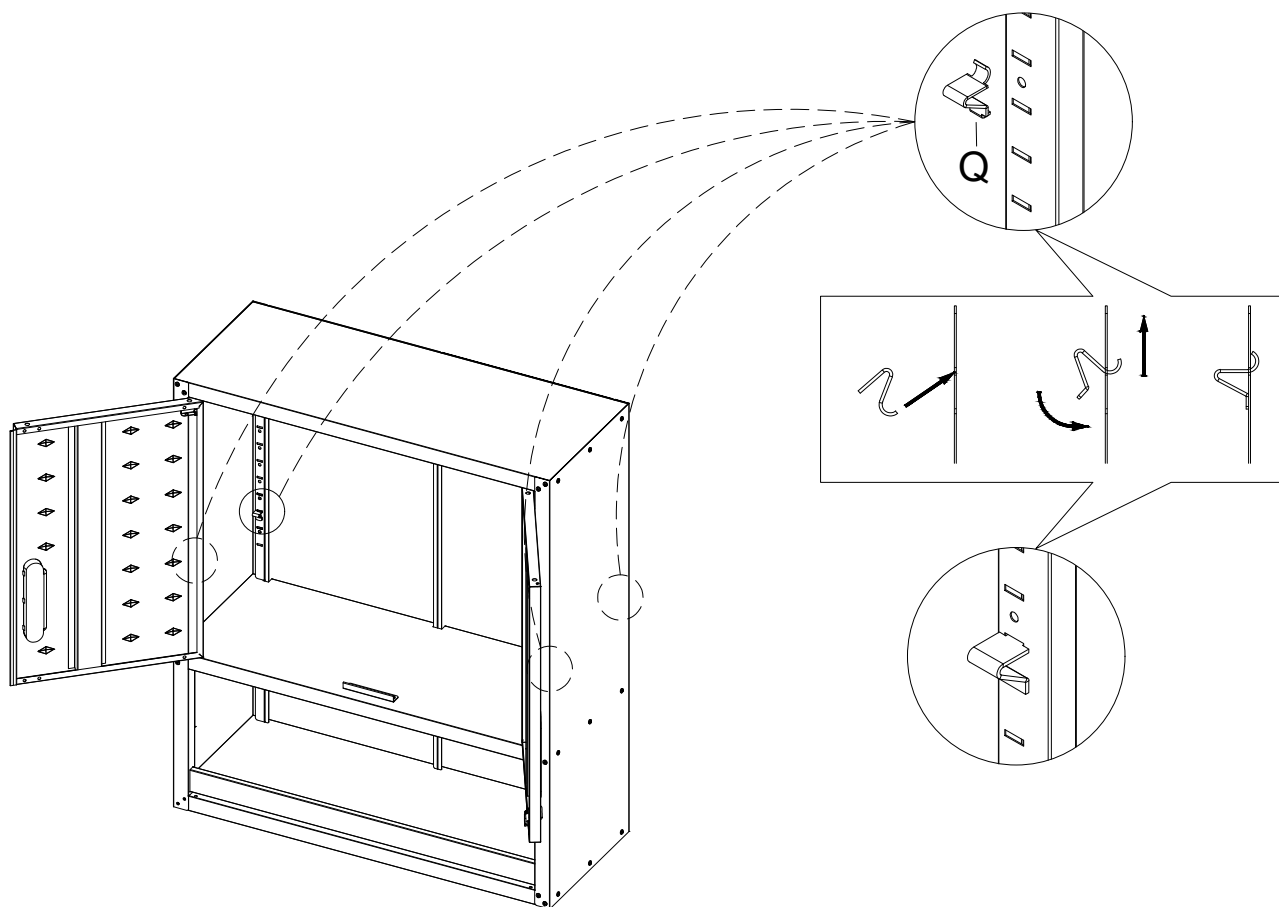


STEP 1



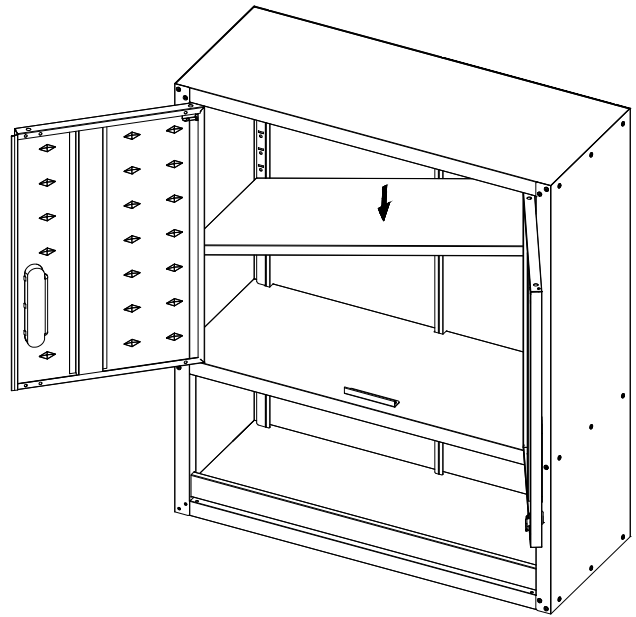
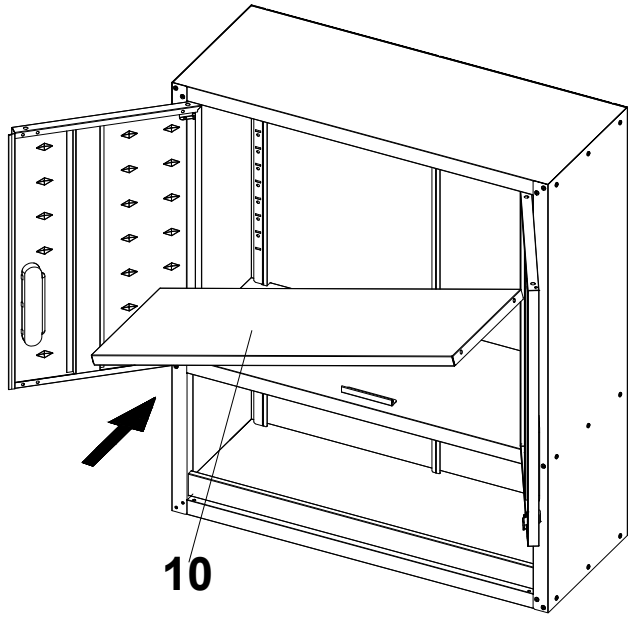
 R×1

12

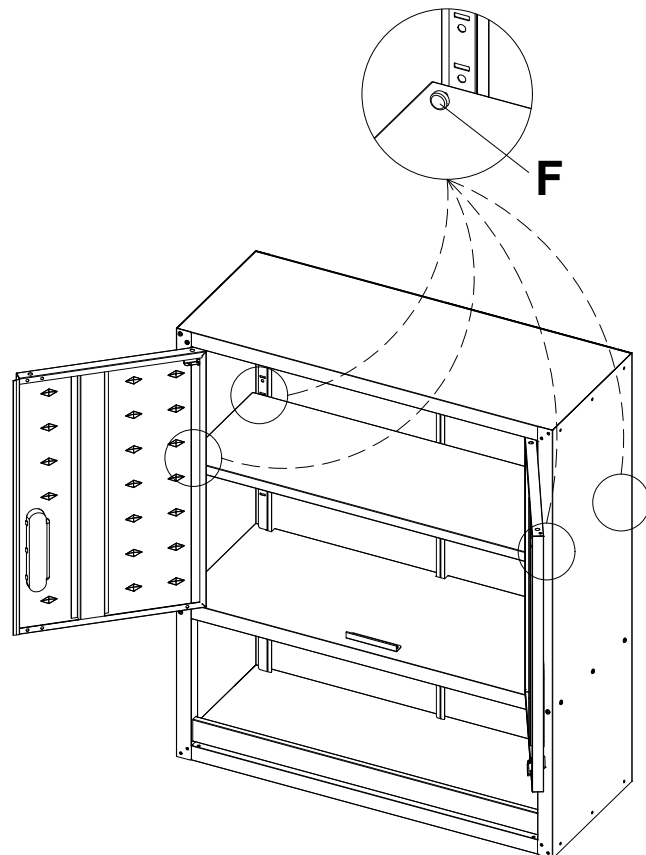
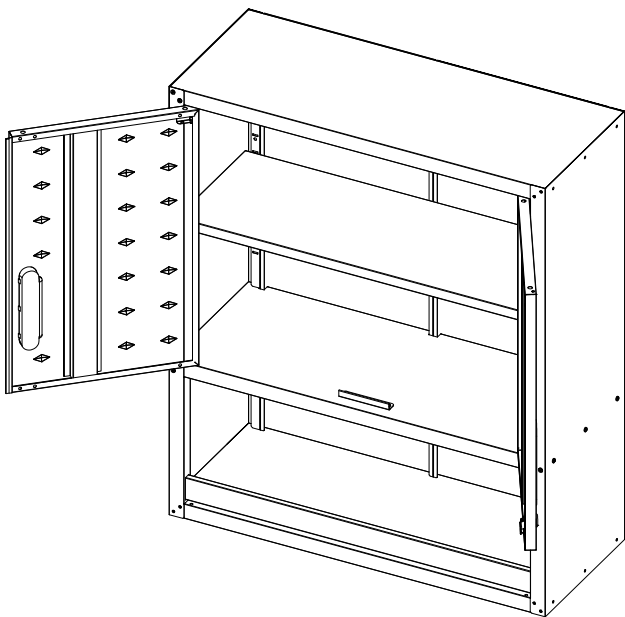


 Q×4

13

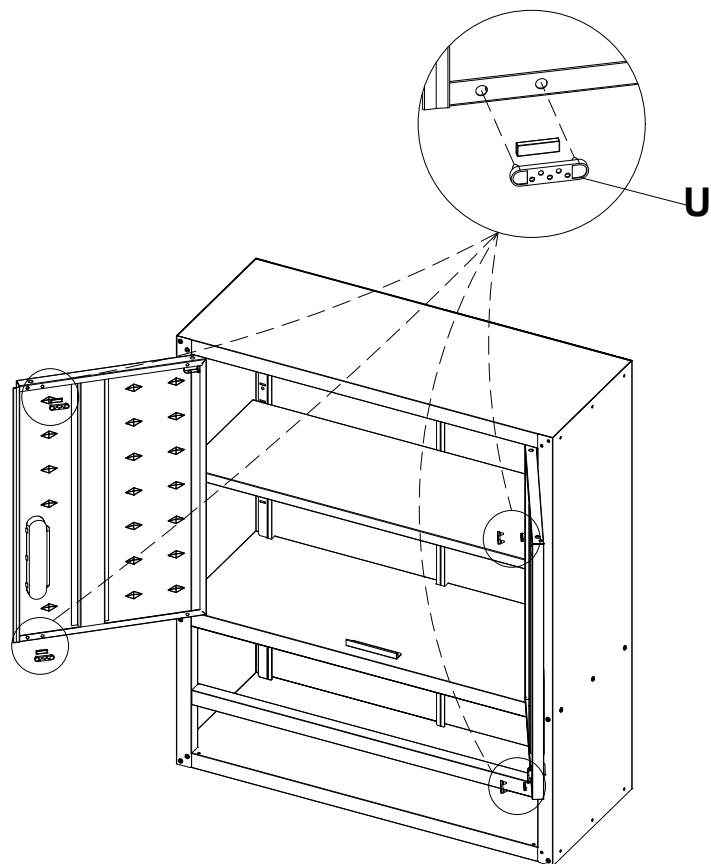


14

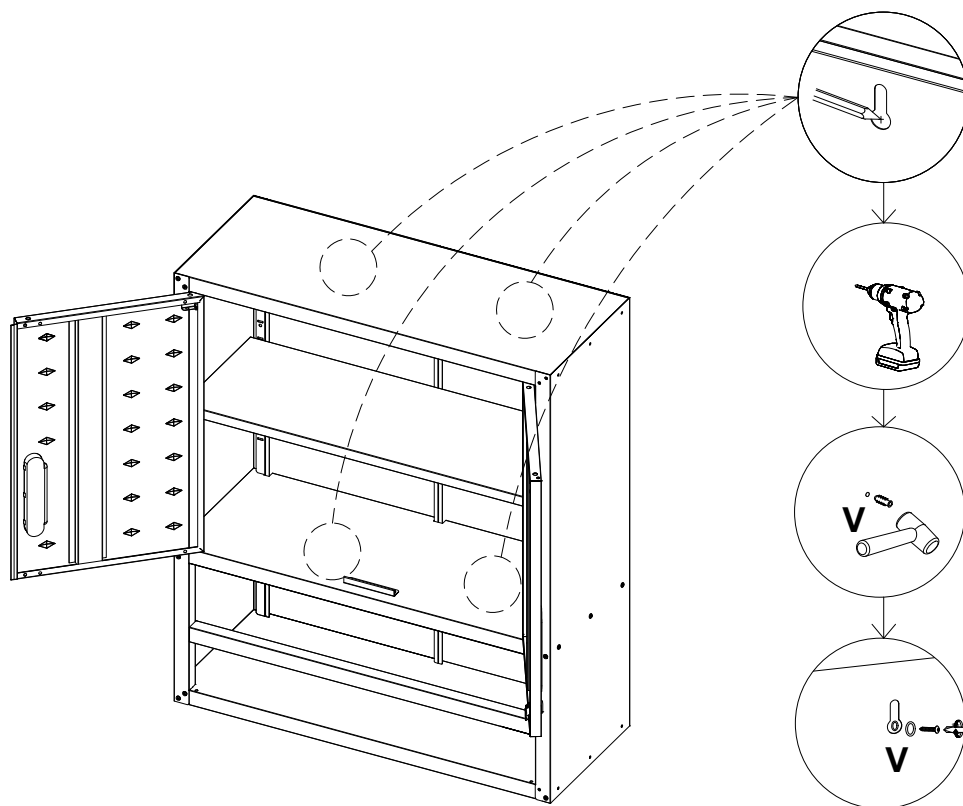


 **F×4**

15



16



17

