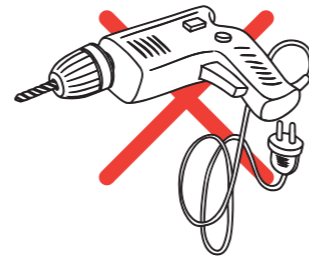
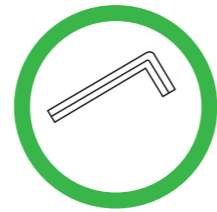


To deodorize the fabric
leave the chair in a shady
outside for 1-2 days.



Tighten bolts periodically.

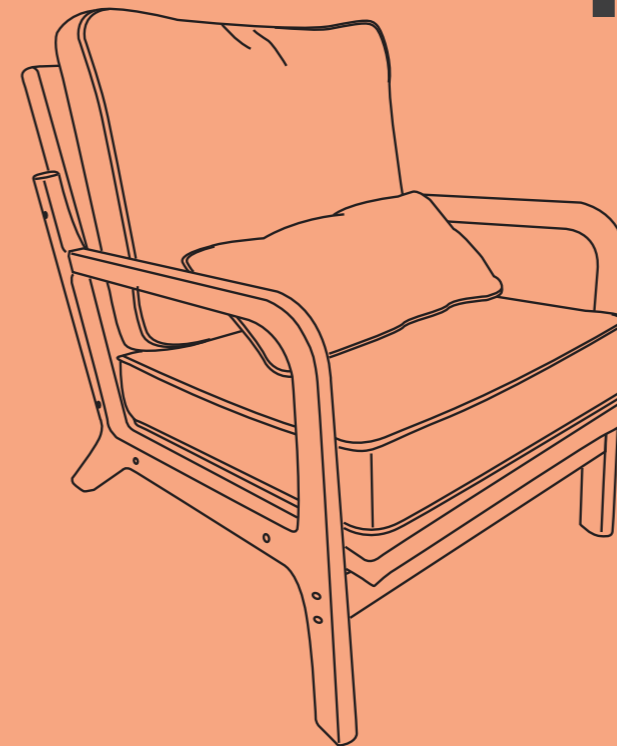


Safety Information

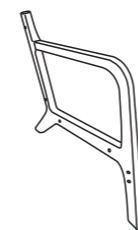


INSTRUCTION MANUAL

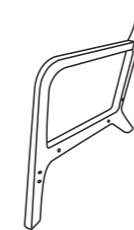
INSTRUCTION MANUAL



Part List



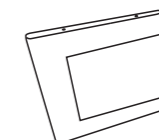
(A)*1



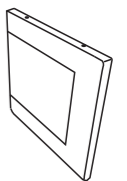
(B)*1



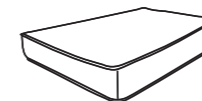
(C)*1



(D)*1



(E)*1



(F)*1



(G)*1



(H)*1



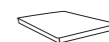
(1)*12
M8*50mm



(2)*1
M6



(3)*12
Φ14mm



(4)*4
2*3*0.2cm

Assembly Instruction

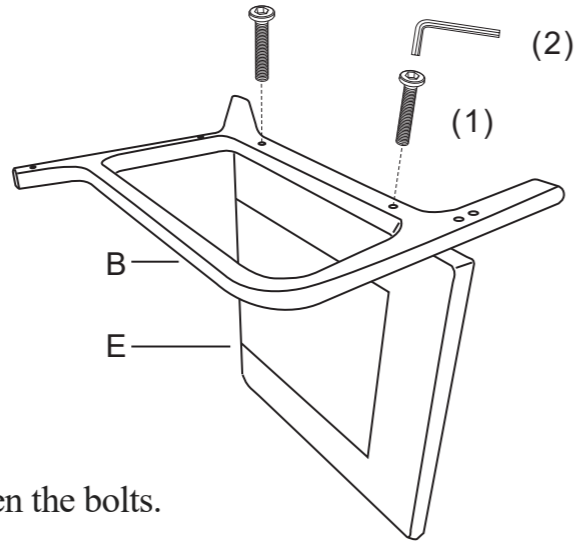
Step 1



(1)*2



(2)*1



NOTE: DO NOT tighten the bolts.

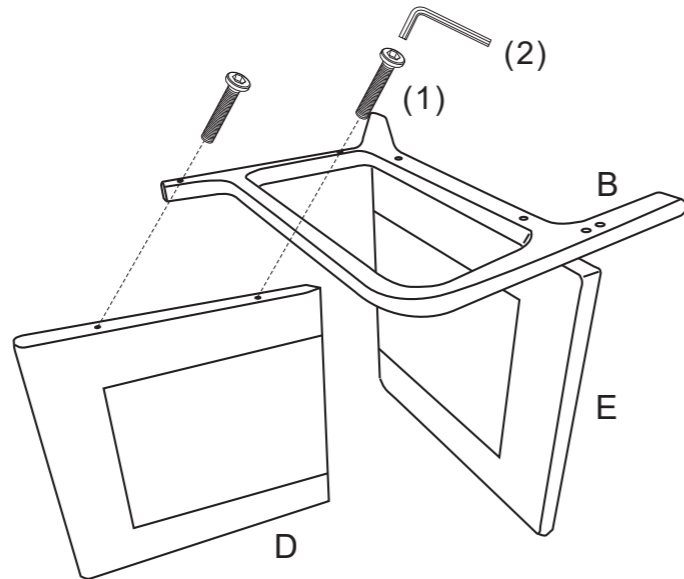
Step 2



(1)*2

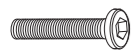


(2)*1



NOTE: DO NOT tighten the bolts.

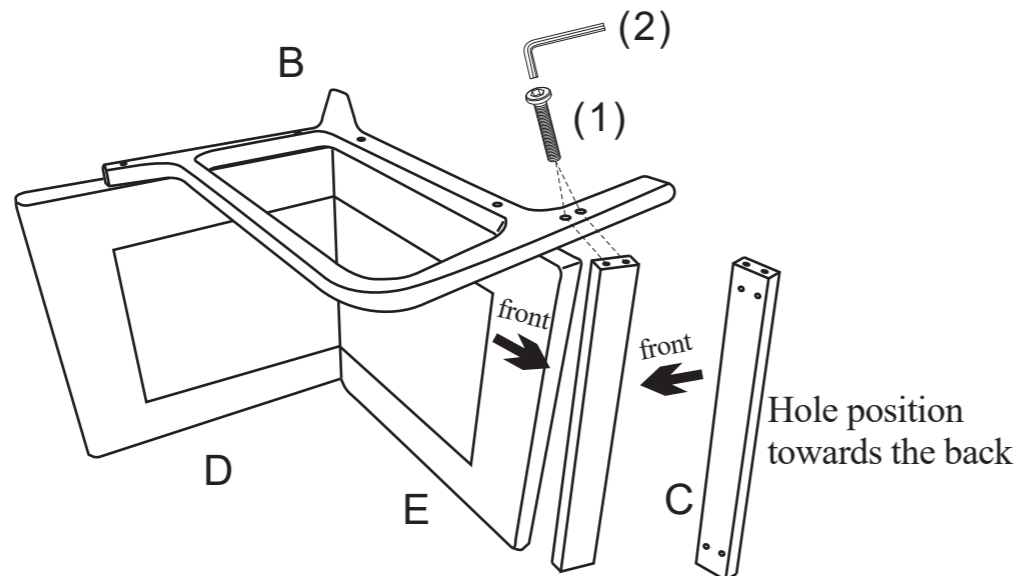
Step 3



(1)*2



(2)*1

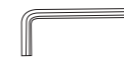


NOTE: DO NOT tighten the bolts.

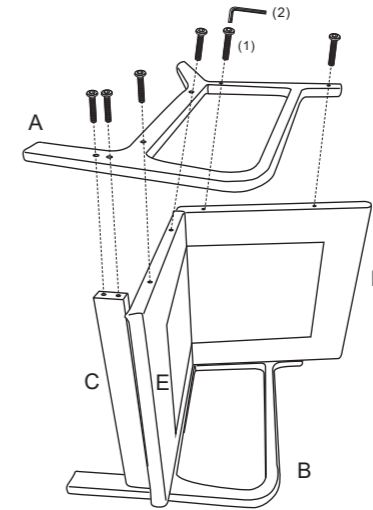
Step 4



(1)*6



(2)*1



NOTE: Tighten all the bolts !

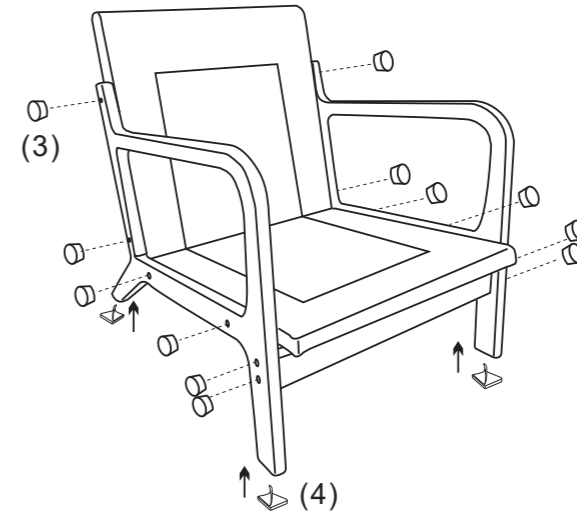
Step 5



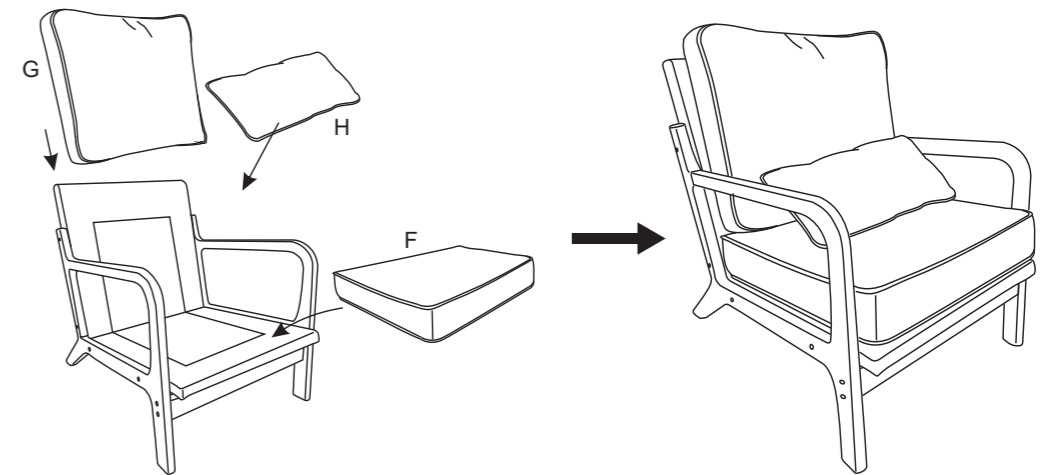
(3)*12



(4)*4



Step 6



Please iron the cushions to maintain the most complete state before using.

Attention Please!

The chair may wobble if not assembled right, For correction, loosen the screws by 2-3 revolutions, sit on the chair to make sure all four legs are on the same surface, then re-tighten the screws.