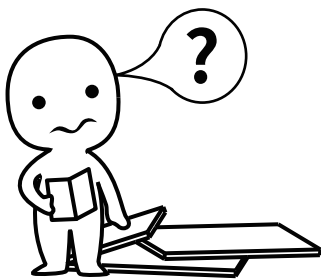


INSTALLATION

Product Manual

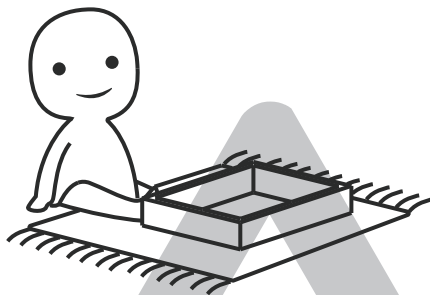
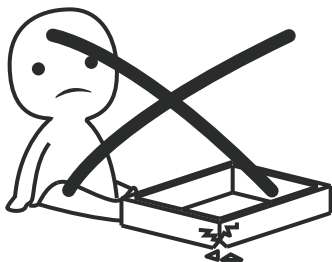


luxhome_service@hotmail.com



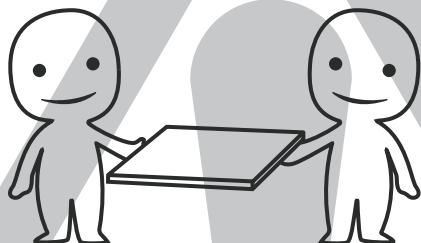
IMPORTANT INFORMATION!

please read the entire manual before starting to assemble and/or using this product. follow the manual thoroughly and keep it for further reference.



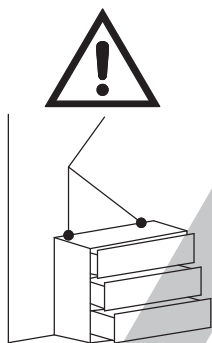
AVOID SCRATCHES!

In order to avoid scratching this furniture should be assembled on a soft layer- could be a rug.



IMPROVE EFFICIENCY !

Try to find a partner to install with you, which can speed up the installation efficiency and shorten the time.



ANTI-TOPPLE WARNING !

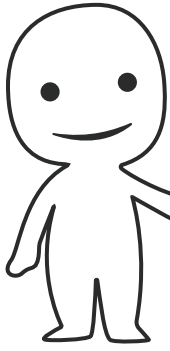
Overturnd furniture can cause serious or fatal crush injuries. To prevent tipping over, be sure to use the wall attachment, if not included with this product. Please purchase the wall attachment that fit your wall. If unsure, seek professional advice. Please read and follow each step of the instructions carefully.

IMPORTANT !

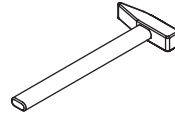
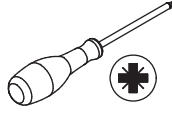
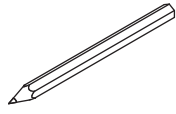
It is important that any product which is assembled using any kind of screw is re-tightened 2 weeks after assembly, and once every 3 months - in order to assure stability through-out the lifespan of the product.

For regular maintenance and cleaning of the product, for the frame, please use a rag dipped in neutral detergent to fully wipe it, and then dry it with a clean rag. For glass materials, wipe with a rag dampened with water glass cleaner, and then dry with a dry rag.

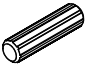
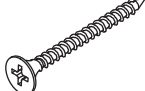
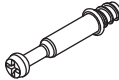



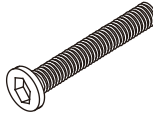

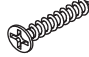
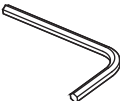
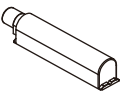

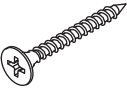
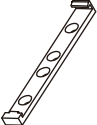


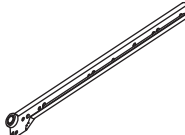
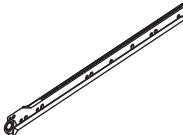
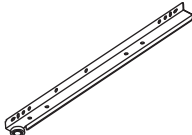
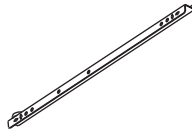
Do not use an electric screwdriver, and do not use too much force when installing, because the board is easy to break.



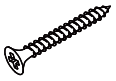
Please prepare the following tools



When installing, please carefully confirm whether each screw corresponds to the manual, accessories with similar shapes can be distinguished by size

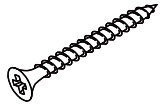
A x 26  Ø 8 x 30 mm	B x 9  Ø 4 x 35 mm	C x 16  Ø 6 x 35 mm	D x 16  Ø 15 x 9 mm	E x 13  Ø 3 x 12 mm
F x 4 	G x 4  Ø 6 x 60 mm	H x 8 	I x 8  Ø 3 x 16 mm	J x 1 
K x 1 	L x 1 	M x 4  Ø 4 x 30 mm	N x 1 	O x 4 
P x 2 	CR x 1  300mm	CL x 1  300mm	DR x 1  300mm	DL x 1  300mm

Q x 6



Ø 4 x 25 mm

R x 12



Ø 4 x 60 mm

S x 2



T x 2



Ø 6 x 20 mm

U x 2



V x 1

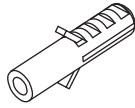


W x 1



Ø 4 x 14 mm

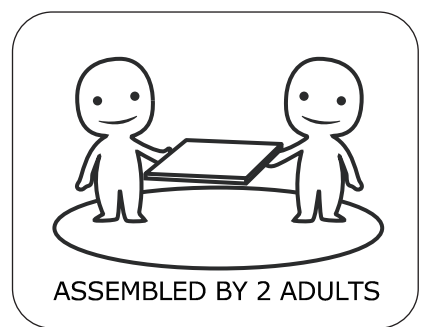
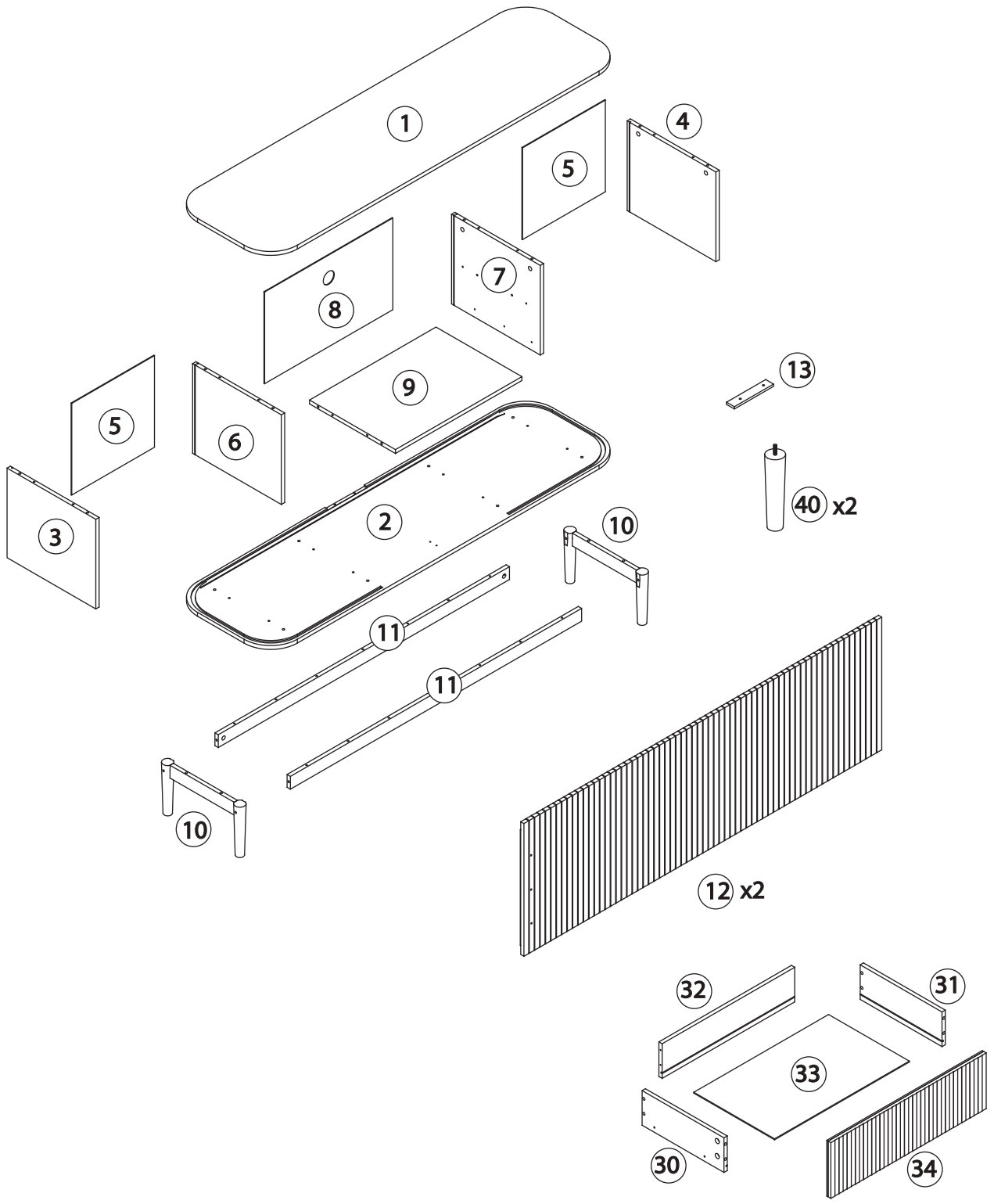
X x 1



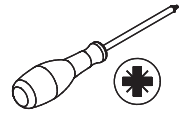
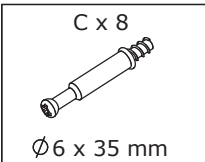
Ø 6 x 30 mm

Z x 2

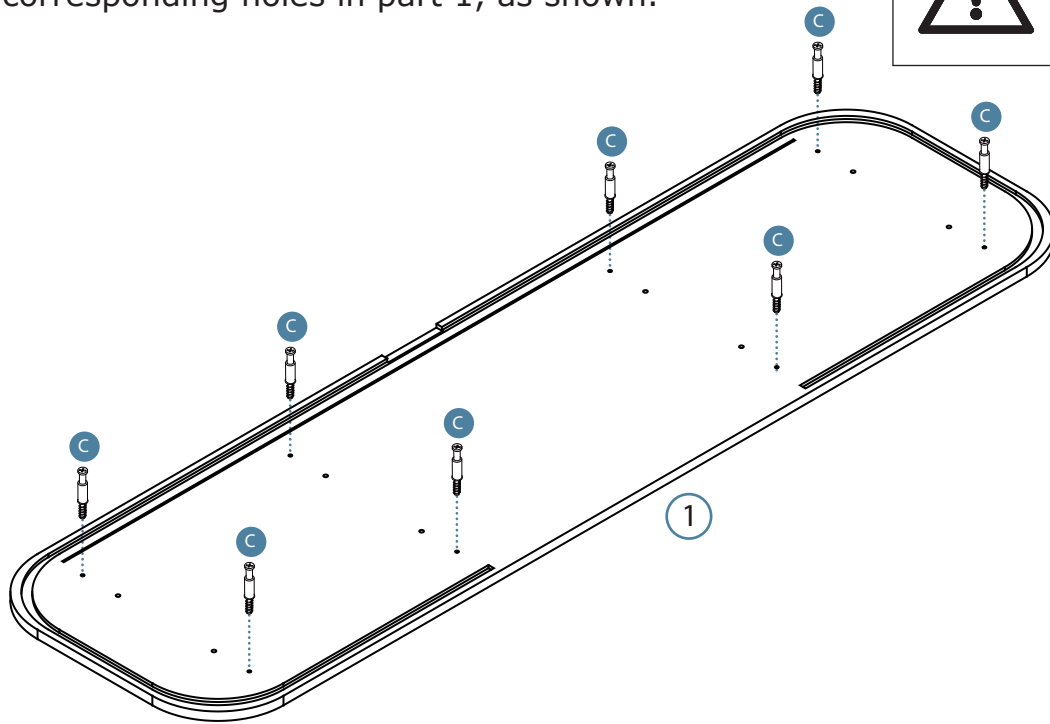
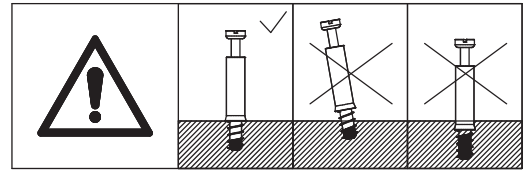




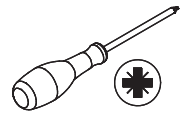
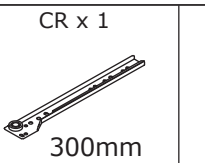
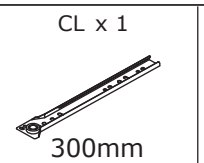
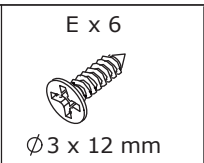
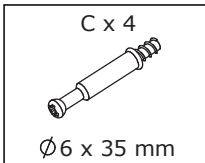
1



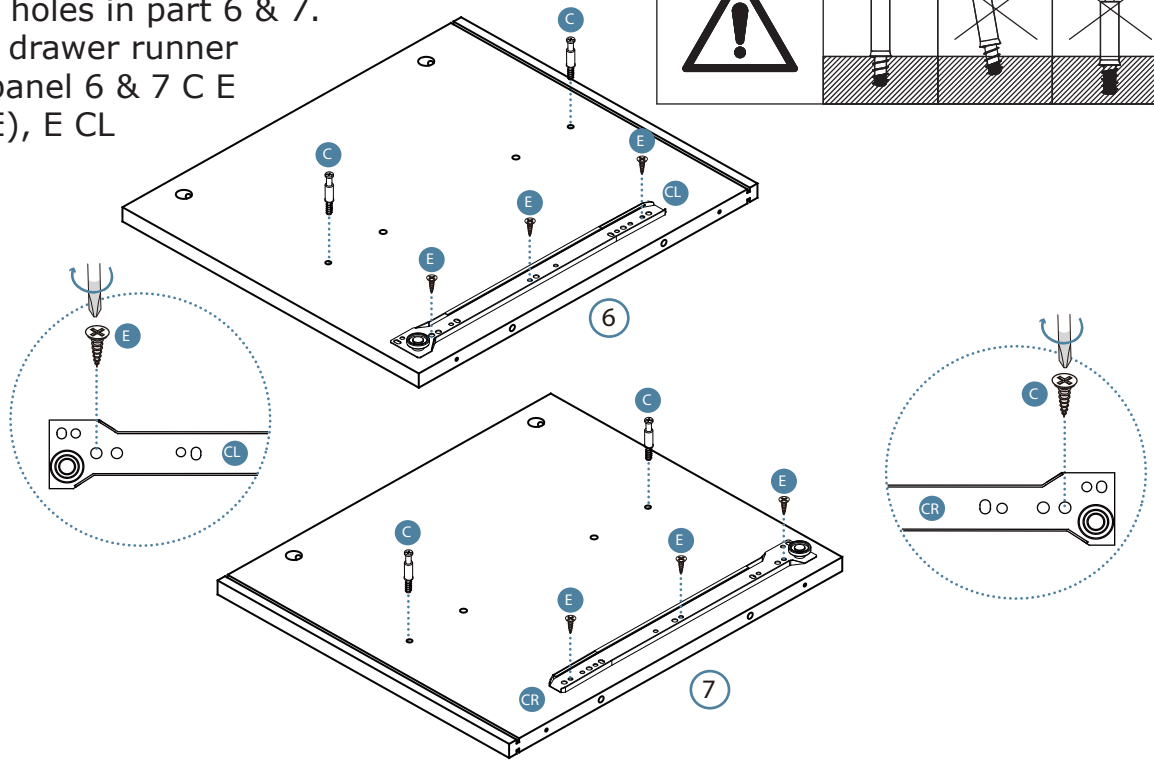
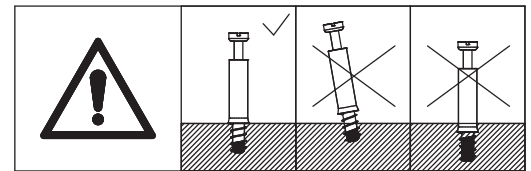
Insert quickfit screws(C) into corresponding holes in part 1, as shown.



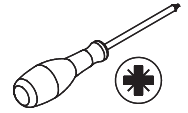
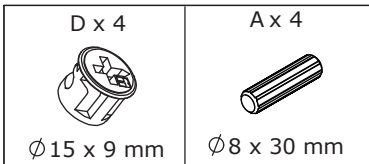
2



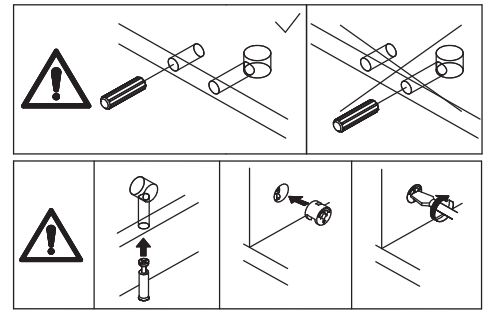
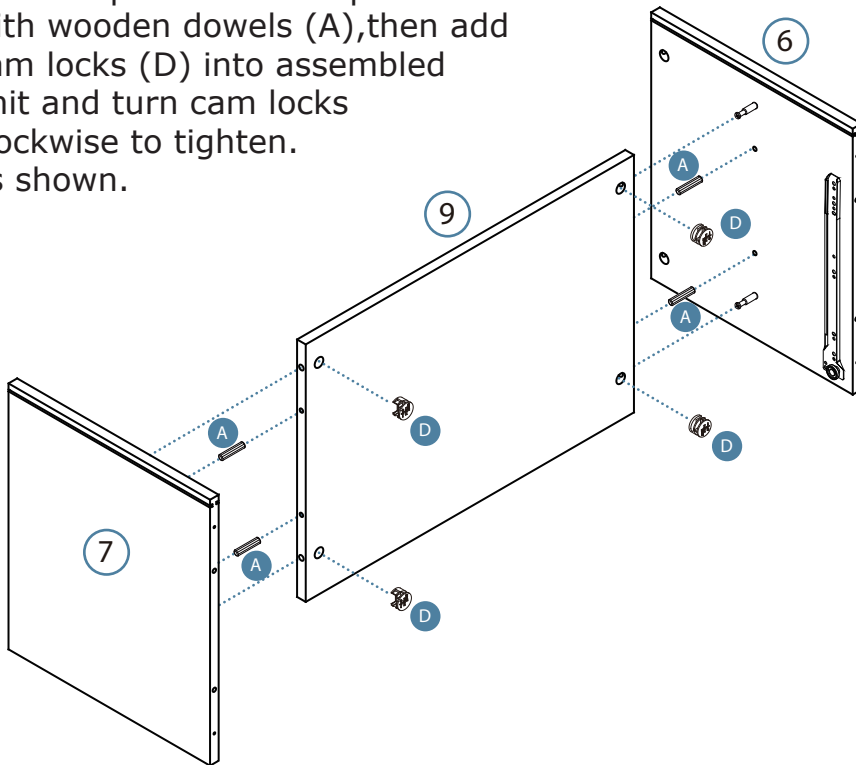
Insert quickfit screws(C) into corresponding holes in part 6 & 7. Then fix outer drawer runner (CL & CR) to panel 6 & 7 C E with screws (E), E CL as shown.



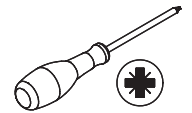
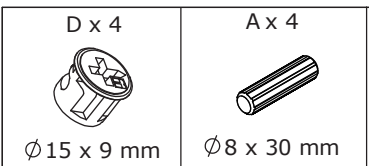
3



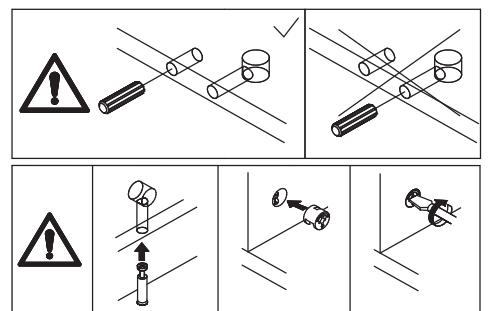
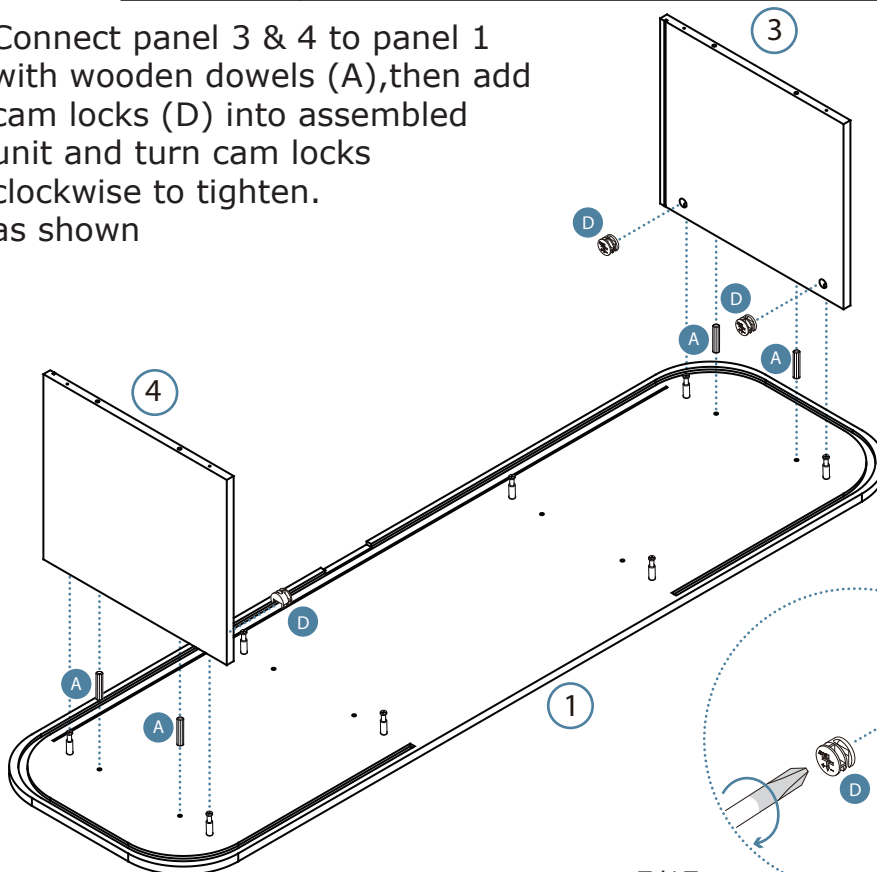
Connect panel 6 & 7 to panel 9 with wooden dowels (A), then add cam locks (D) into assembled unit and turn cam locks clockwise to tighten. as shown.



4

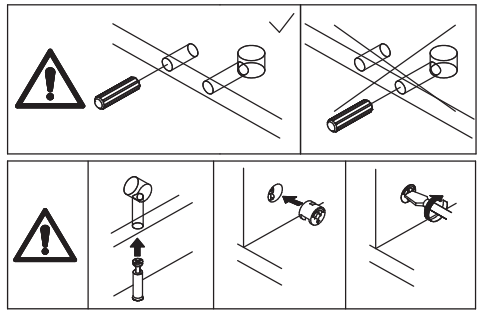
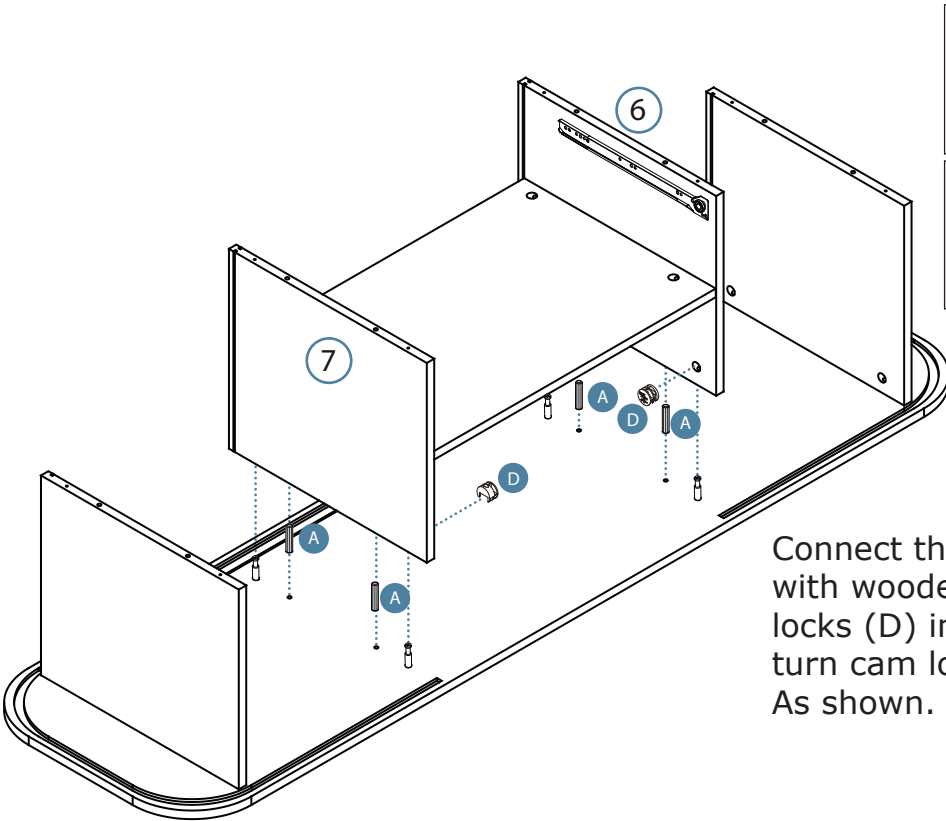


Connect panel 3 & 4 to panel 1 with wooden dowels (A), then add cam locks (D) into assembled unit and turn cam locks clockwise to tighten. as shown



5

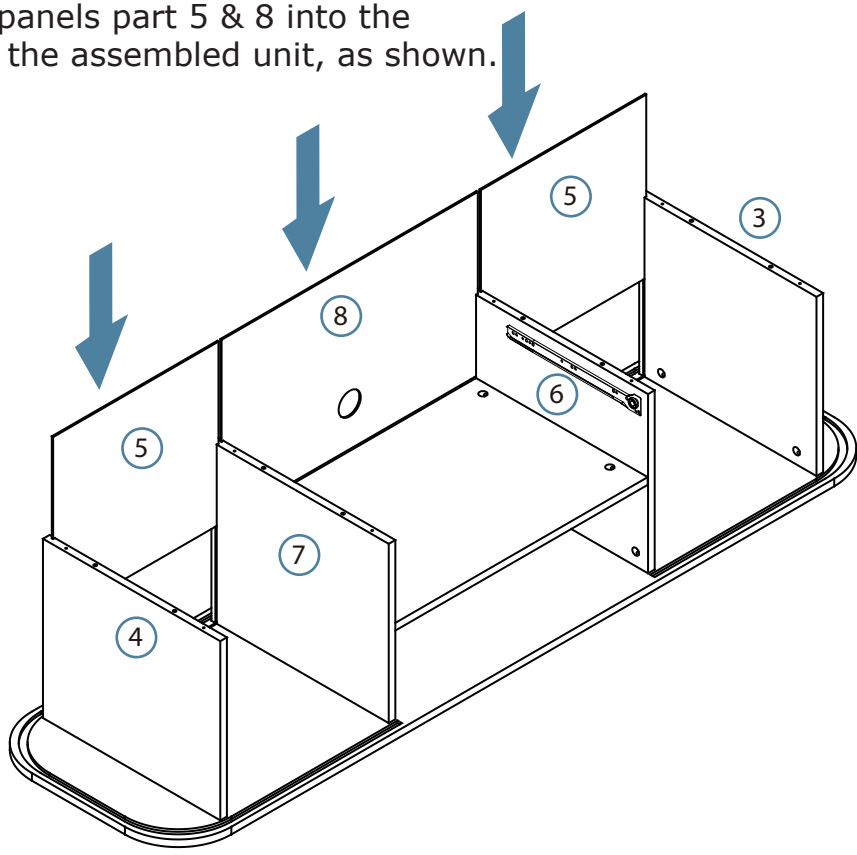
D x 4  Ø15 x 9 mm	A x 4  Ø8 x 30 mm	
--	--	---



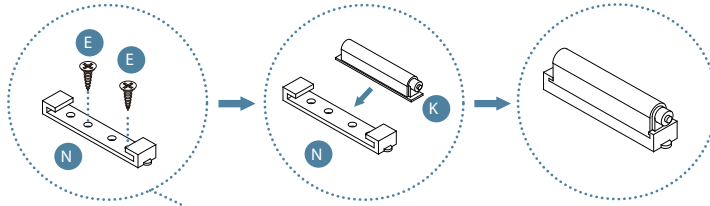
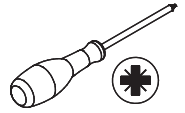
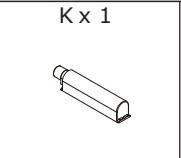
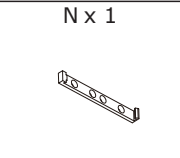
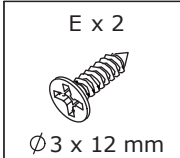
Connect the assembled unit to part 1 with wooden dowwels (A), then add cam locks (D) into assembled unit and turn cam locks clockwise to tighten. As shown.

6

Sliding the back panels part 5 & 8 into the available slots of the assembled unit, as shown.

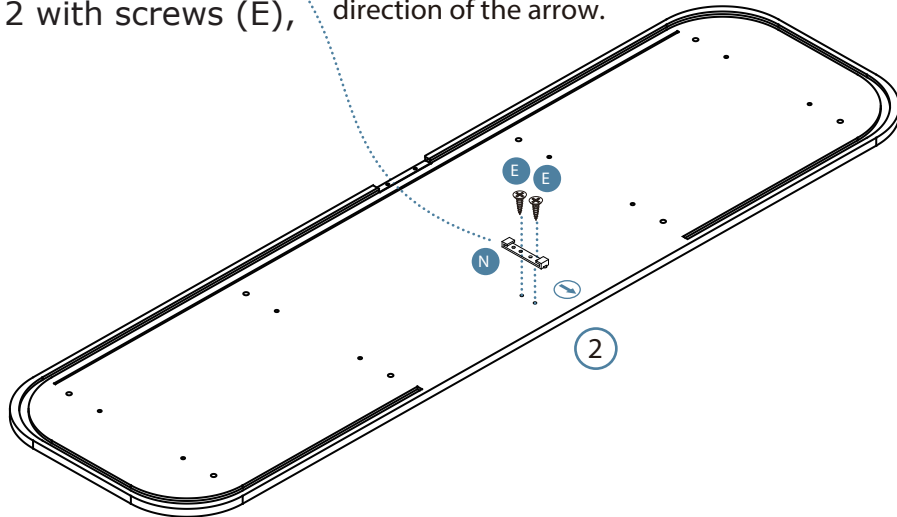


7

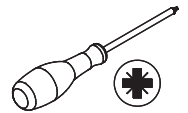
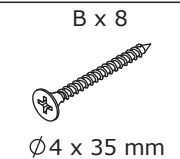
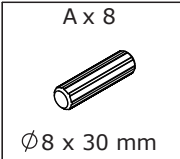


The round head is aligned with the direction of the arrow.

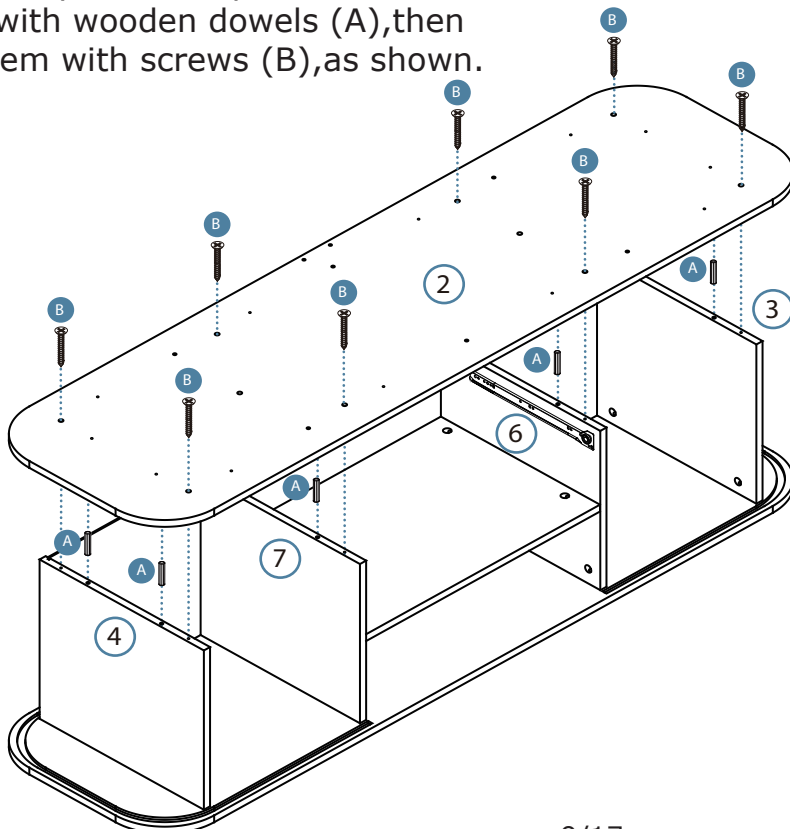
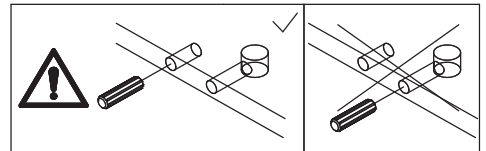
Fix part (N) to part 2 with screws (E), as shown.






8



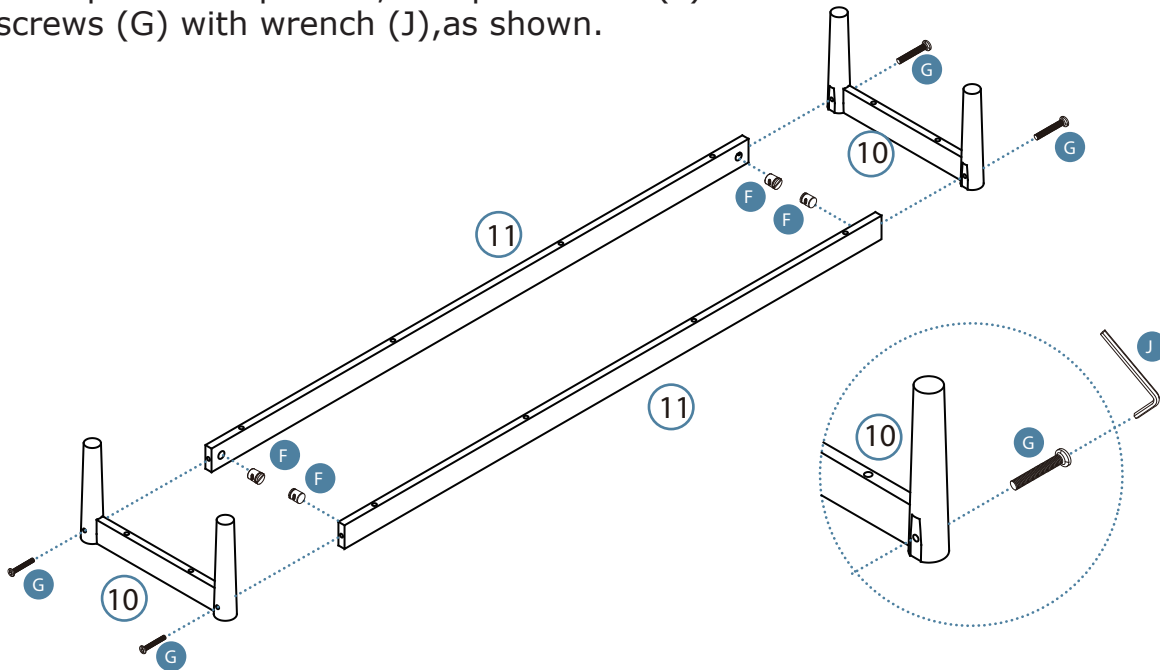
Connect panel 2 to panel 3 & 4 & 6 & 7 with wooden dowels (A), then fix them with screws (B), as shown.



9

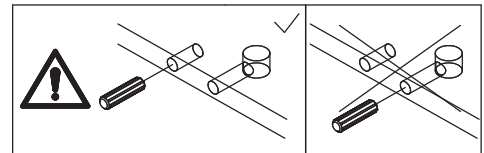
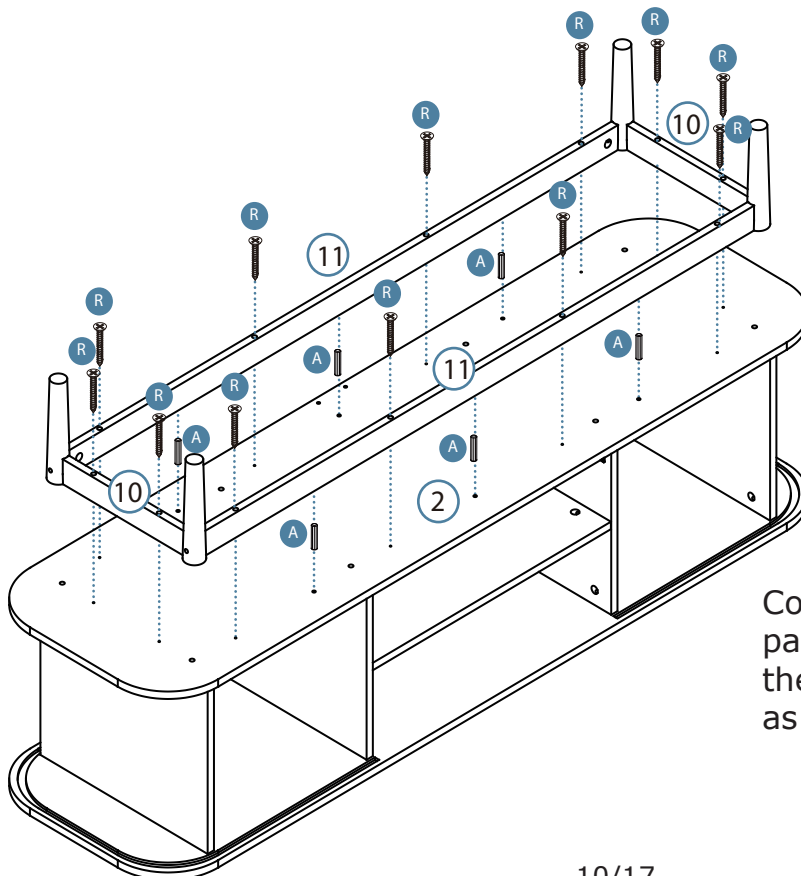
F x 4 	G x 4  Ø6 x 60 mm	J x 1 	
--	--	--	--

Connect part 10 to part 11, then put screws (F) and fix screws (G) with wrench (J), as shown.



10

A x 6  Ø8 x 30 mm	R x 12  Ø4 x 60 mm	
--	---	---

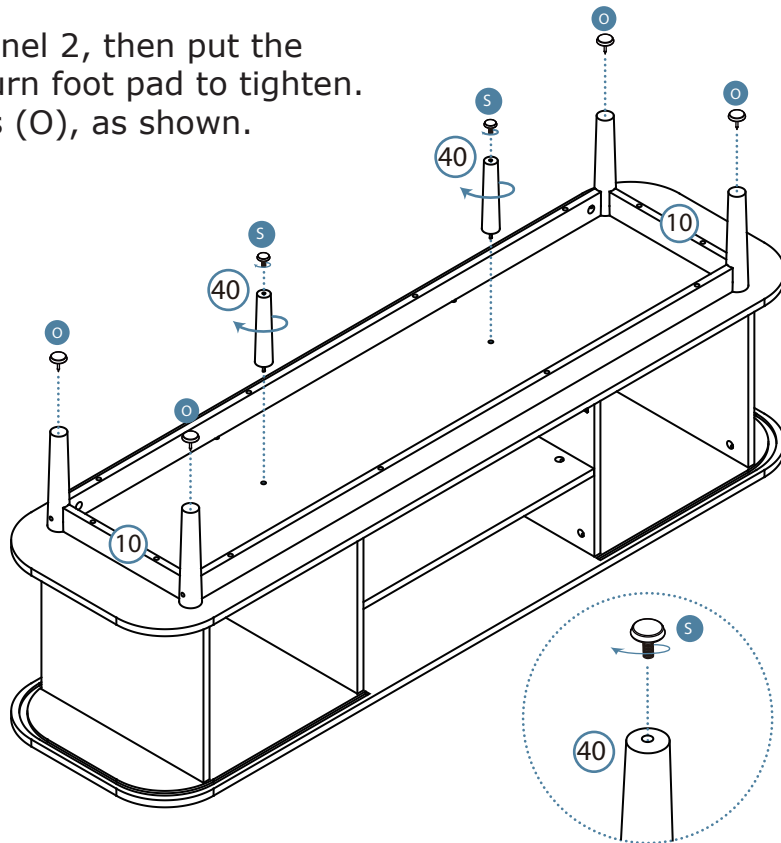


Connect the assembled unit to panel 2 with wooden dowels (A), then fix them with screws (R), as shown.

11

O x 4	S x 2	
		

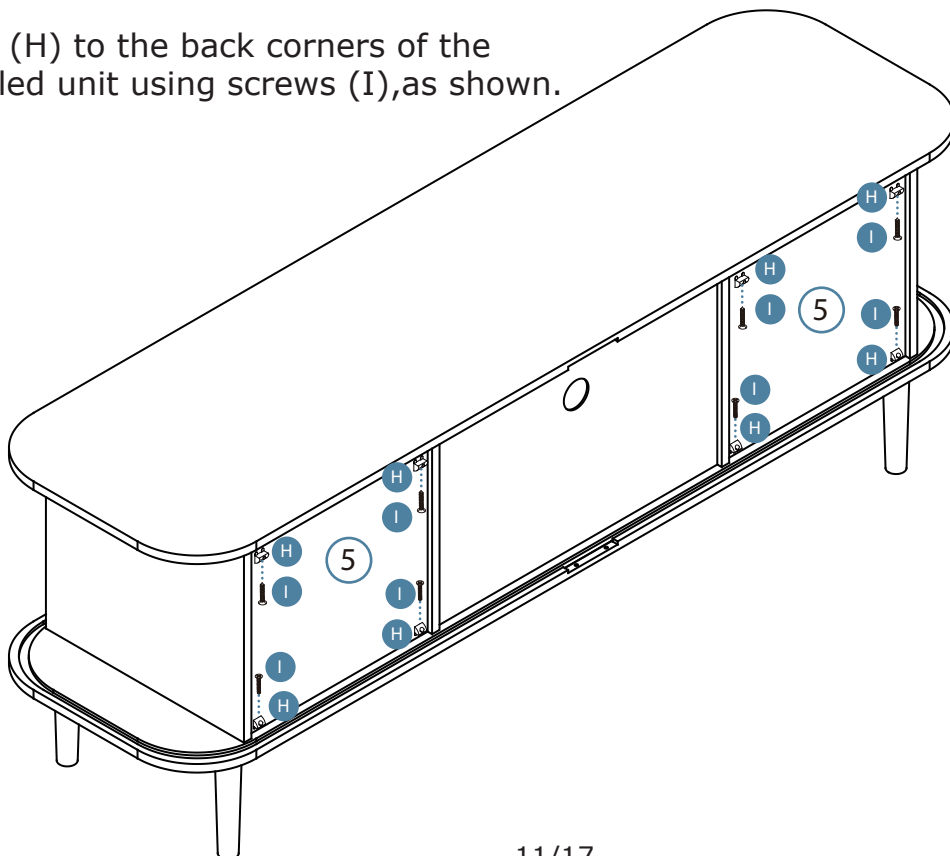
Install leg 40 to panel 2, then put the foot pad (S) and turn foot pad to tighten. Install the leg nails (O), as shown.



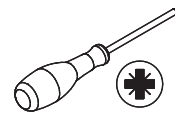
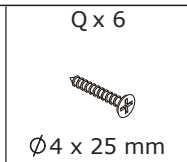
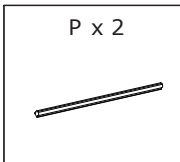
12

H x 8	I x 8	
	 Ø3 x 16 mm	

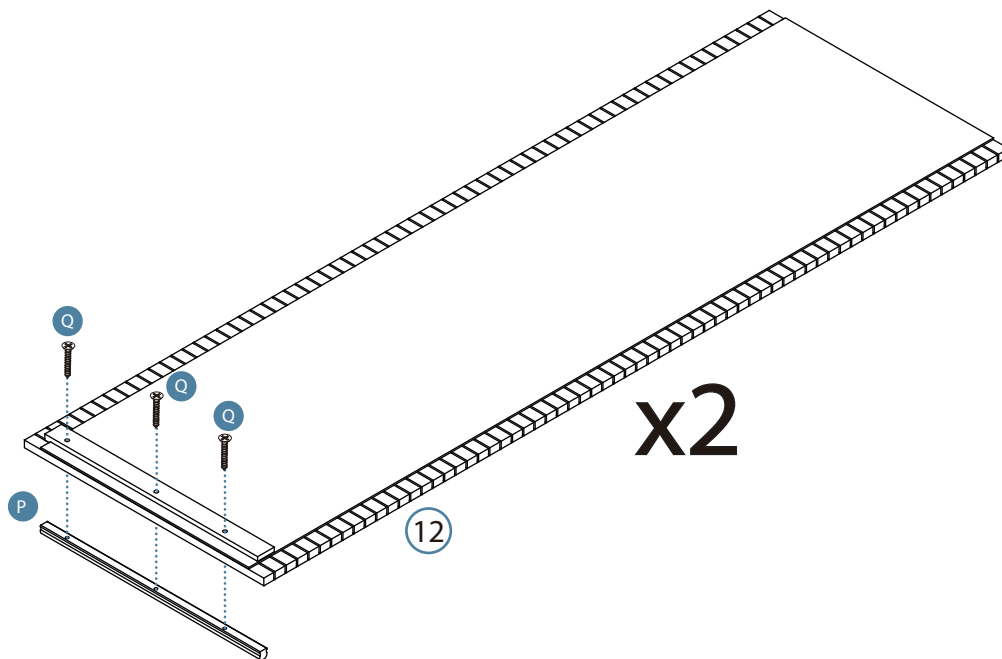
Fix part (H) to the back corners of the assembled unit using screws (I), as shown.



13

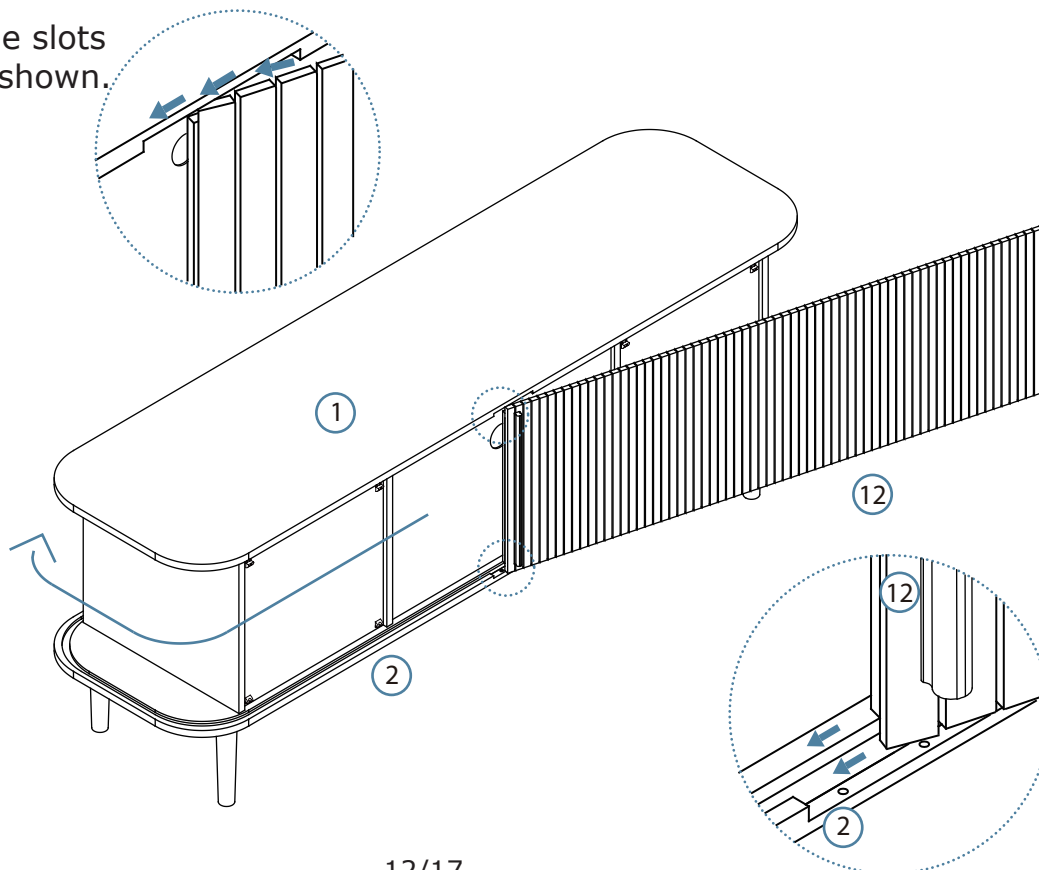


Fix handle (P) to part 12 with screws (Q), as shown.



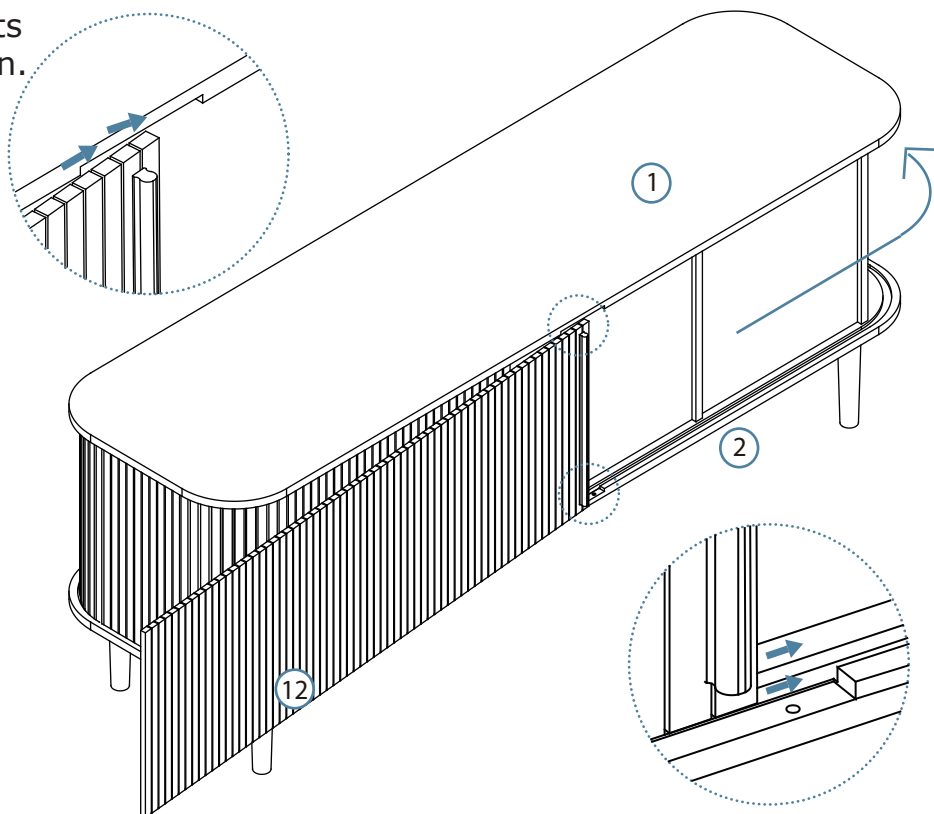
14

Put part 12 to the slots of part 1 & 2, as shown.

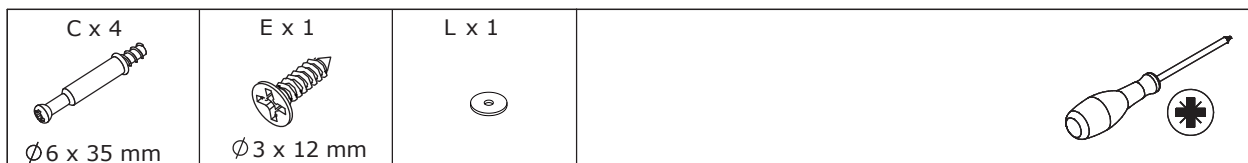


15

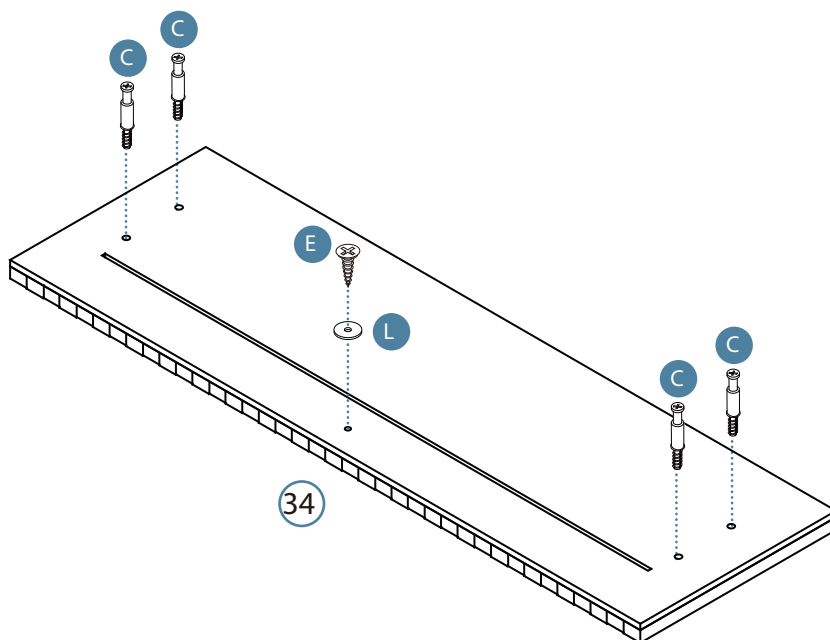
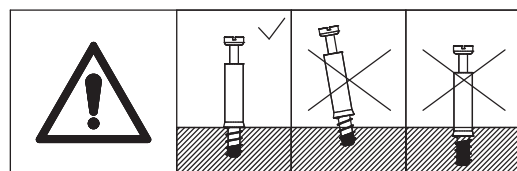
Put part 12 to the slots of part 1 & 2, as shown.



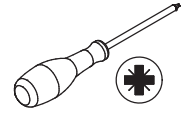
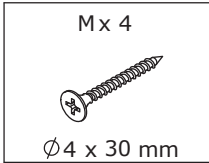
16



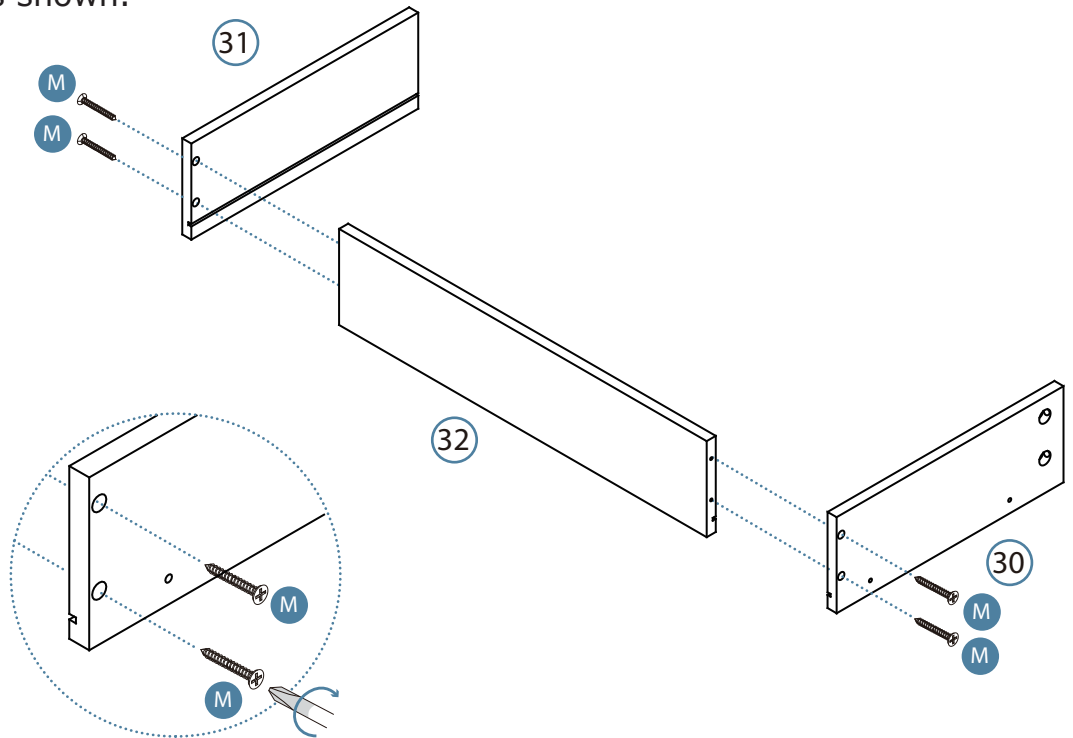
Insert quickfit screws (C) into part 34, and fix gasket (L) with screw (E), as shown.



17

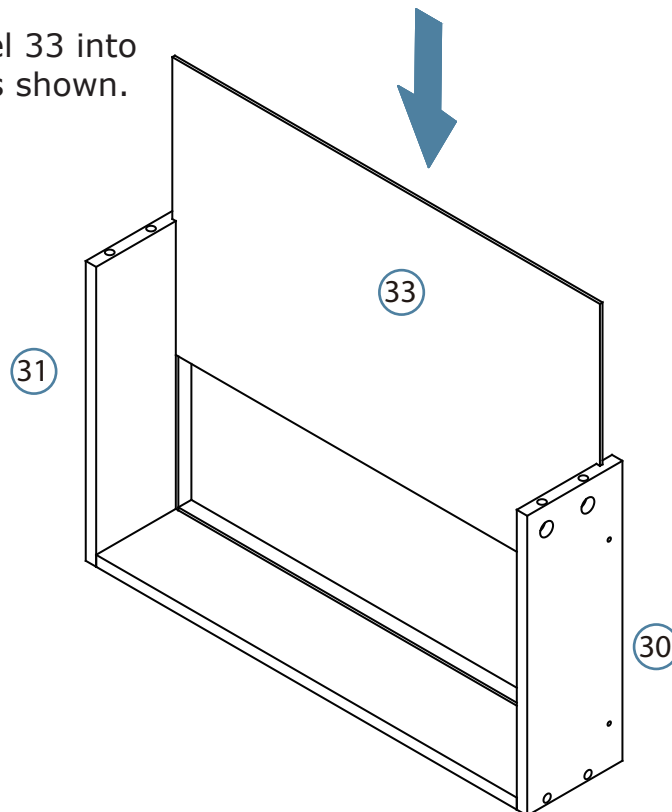


Connect part 30 & 31 oart 32 with screws(M),as shown.

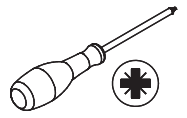
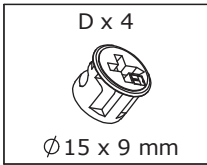


18

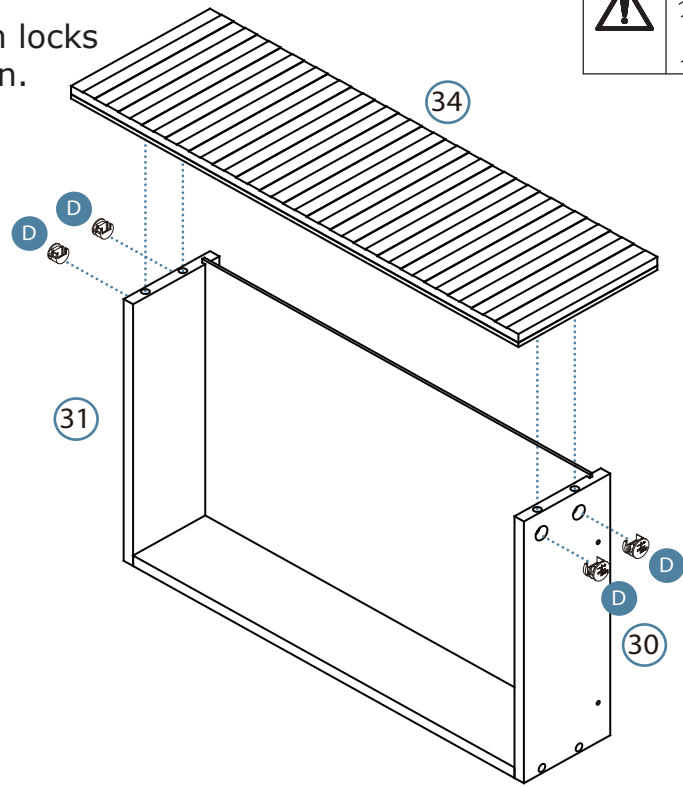
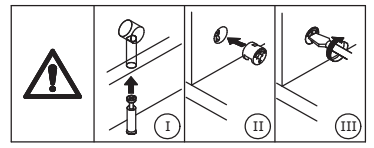
Put the back panel 33 into assembled unit,as shown.



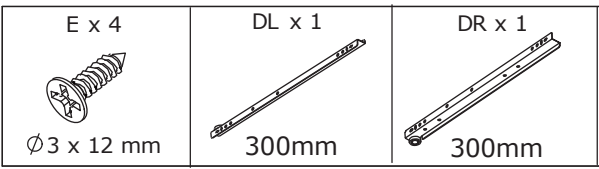
19



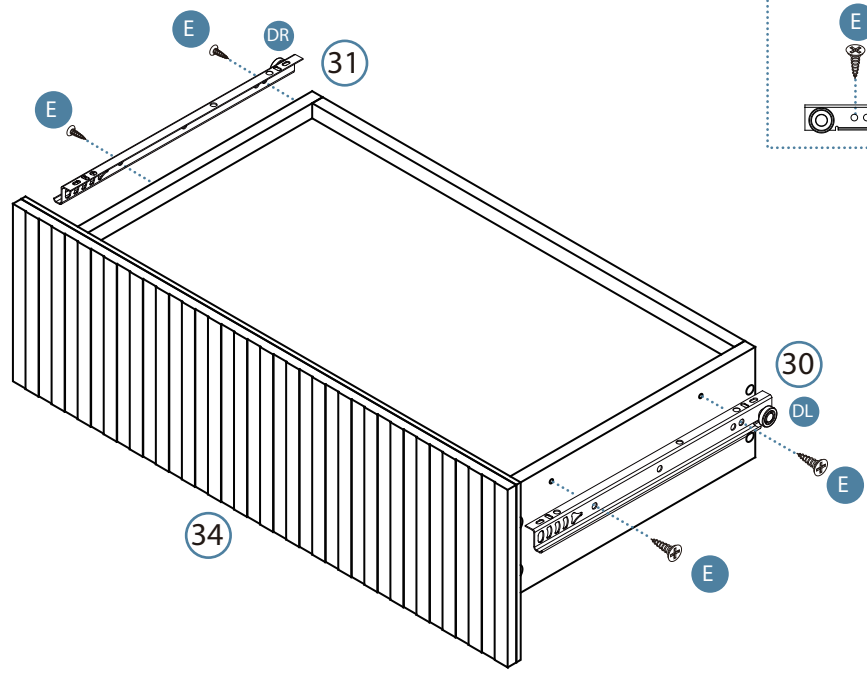
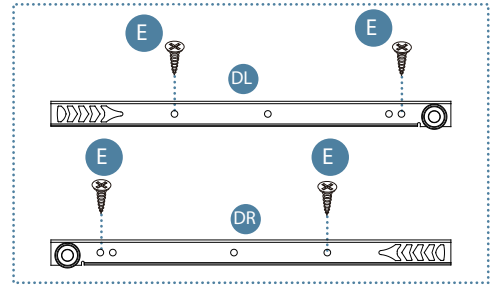
Connect part 34 to assembled unit then add cam locks (B) into assembled unit and turn cam locks clockwise to tighten, as shown.



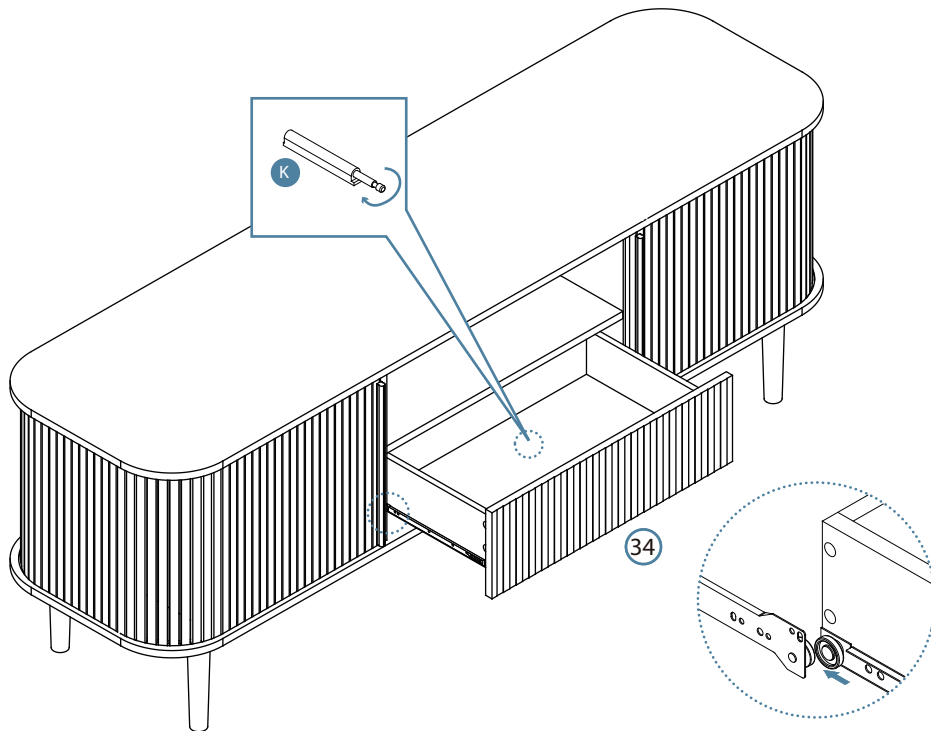
20



Fix drawer runner (DL & DR) to part 30 & 31 with screws (E), as shown.



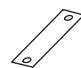


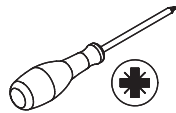


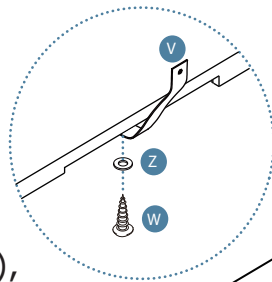
21



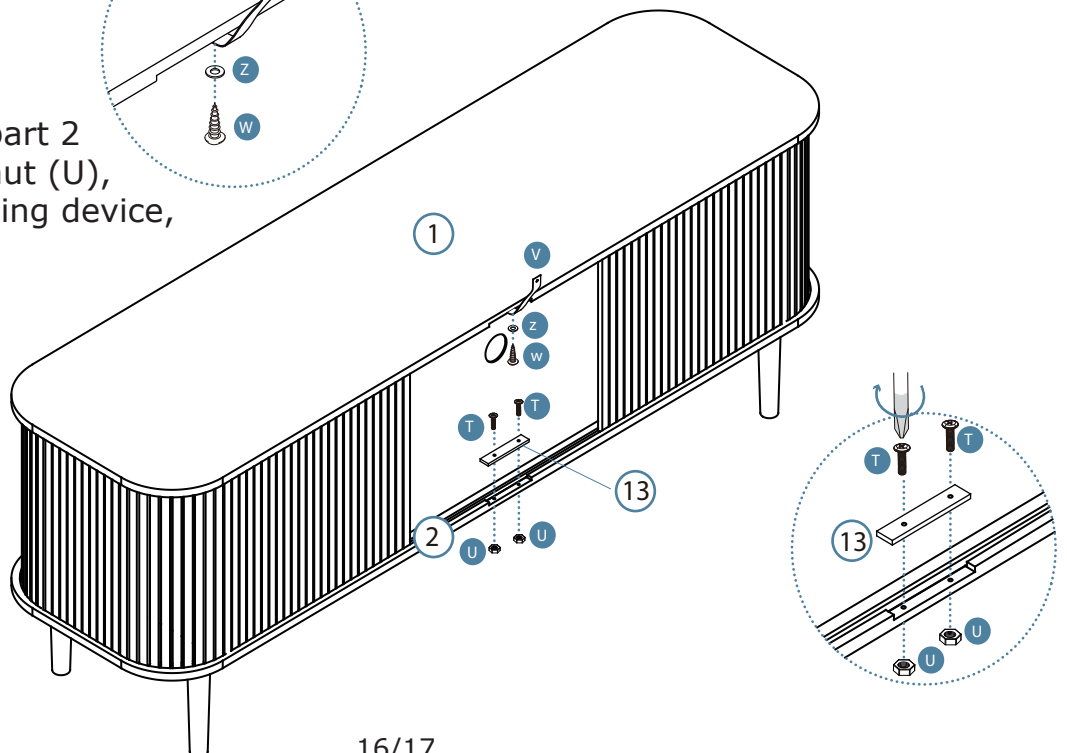
Insert the assembled drawers into the corresponding compartments as shown. Ensure the drawers slide easily along the rails. If the door is not catching or sitting flush, twist the end of the cover (K) until it catches on the seal (L).

22

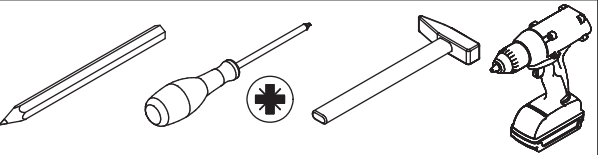
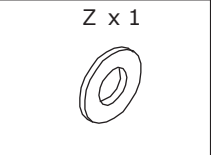
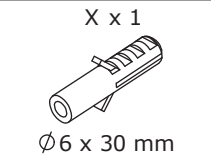
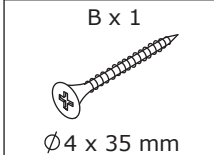
W x 1  Ø4 x 14 mm	Z x 1 	V x 1 	T x 2  Ø6 x 20 mm	U x 2 	
--	--	--	--	---	---



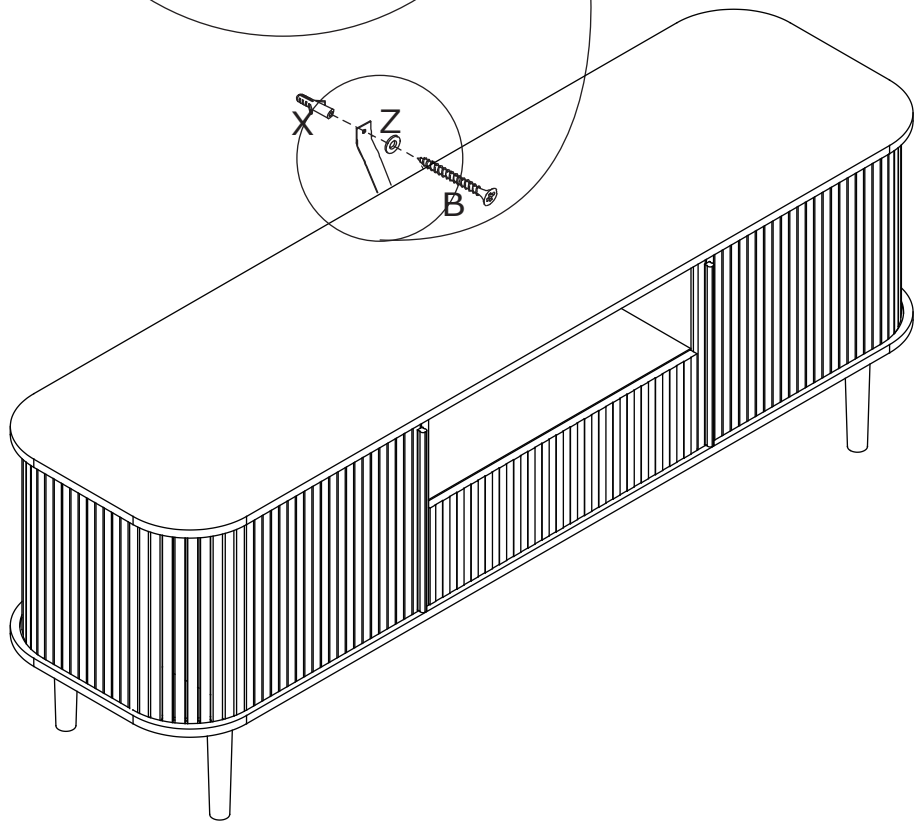
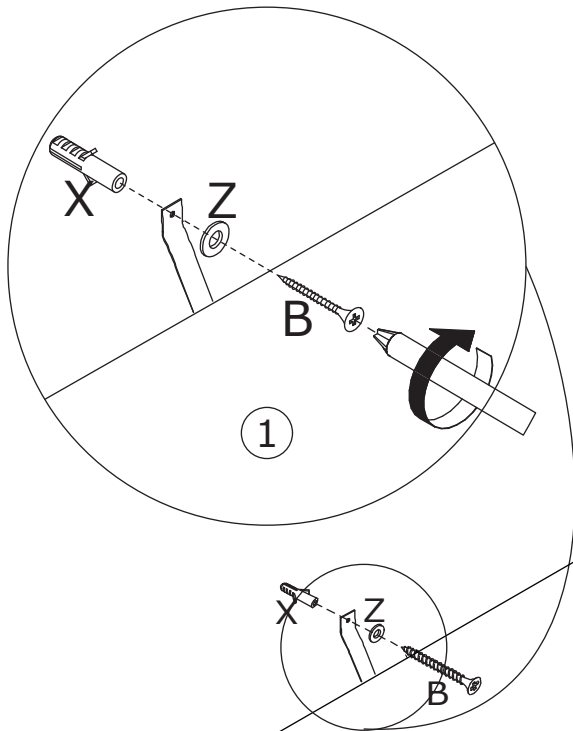
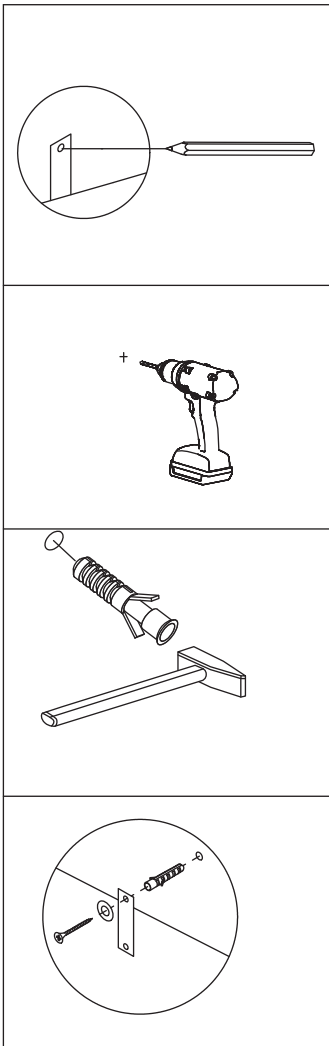
Connect part 13 to part 2 with screw (T) and nut (U), then Install anti-tipping device, as shown.



23



Install anti-tipping device as shown.



WARRANTY

WARRANTY CLAIMS

- There is a 30-day warranty for broken furniture or any other problems that do not work properly. The warranty will start from the date of purchase which must be verified by proof of purchase.
- Before making a claim, we may be able to answer your query, simply call us. Please leave your purchase order number, along with some details of the problem, if you want a replacement part. We will arrange within 48 hours. If there is out of stock, we will reply with a shipping date.
- The product must be used in accordance with the instructions provided. For health reasons.
- For other reasons, if the furniture needs to be returned, it must be cleaned and dried and operated within 30 days of receipt.

Type of Warranty Claim

- Failure to follow the furniture instructions will invalidate the warranty. Attention please.
- Does not include damage during installation, but includes damage during transportation.

Scope of responsibility

- Shall not bear any responsibility for misuse or user damage and / or loss of parts during the installation of furniture.
- After using, the damage and scratches of the furniture are not covered by the warranty.

The Warranty Relates to All Bought in The Us and Covers The Following Areas

- Sheet parts: 1 month from the date of purchase.
- Electrical parts: 1 month from the date of purchase.

RETURNS

CHANGED YOUR MIND AND NEED TO RETURN YOU ITEM?

PLEASE FOLLOW THE BELOW INSTRUCTIONS:

- If you have purchased and have simply changed your mind, follow the retailer's instructions for returns.

DEFECTIVE ITEMS

- If your item is defective in any way, i.e. it doesn't work but you can't identify why, in the first instance, please call us.

DAMAGED ITEMS

- If you receive an order with obvious shipping damage from the retailer, then we suggest the delivery is refused. If the delivery has been accepted and then shipping damage is found, please follow the specific instructions advised by the retailer.
In all circumstances please save all packaging material and paperwork for the order. Please be aware that if you dispose of packaging material or attempt to return the merchandise without contacting the fulfiller, you jeopardise your chances of making a claim, and you may not receive a credit for the return.

AFTER-SALES CONTACT



[luxhome _ service@hotmail.com](mailto:luxhome_service@hotmail.com)