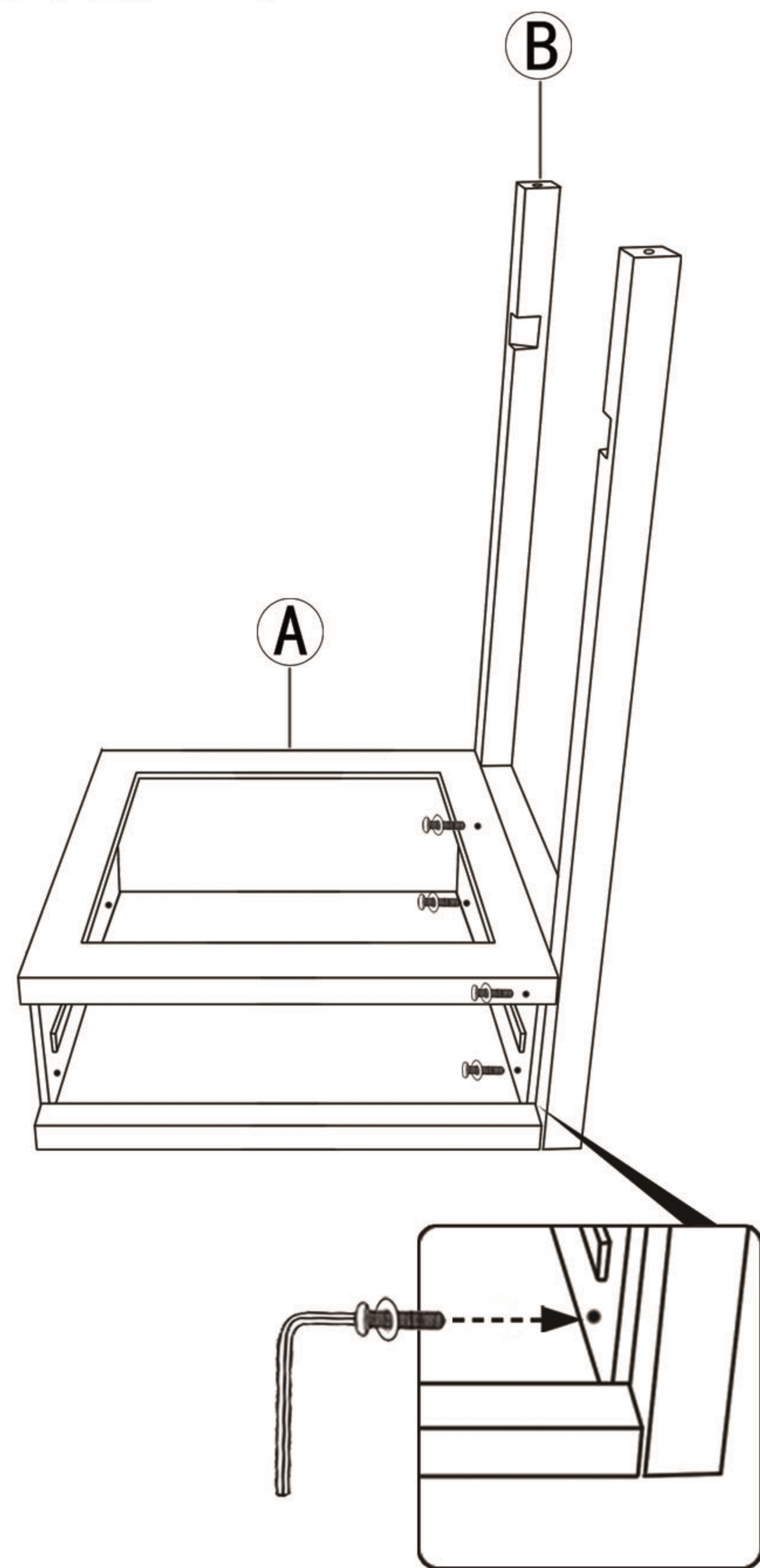


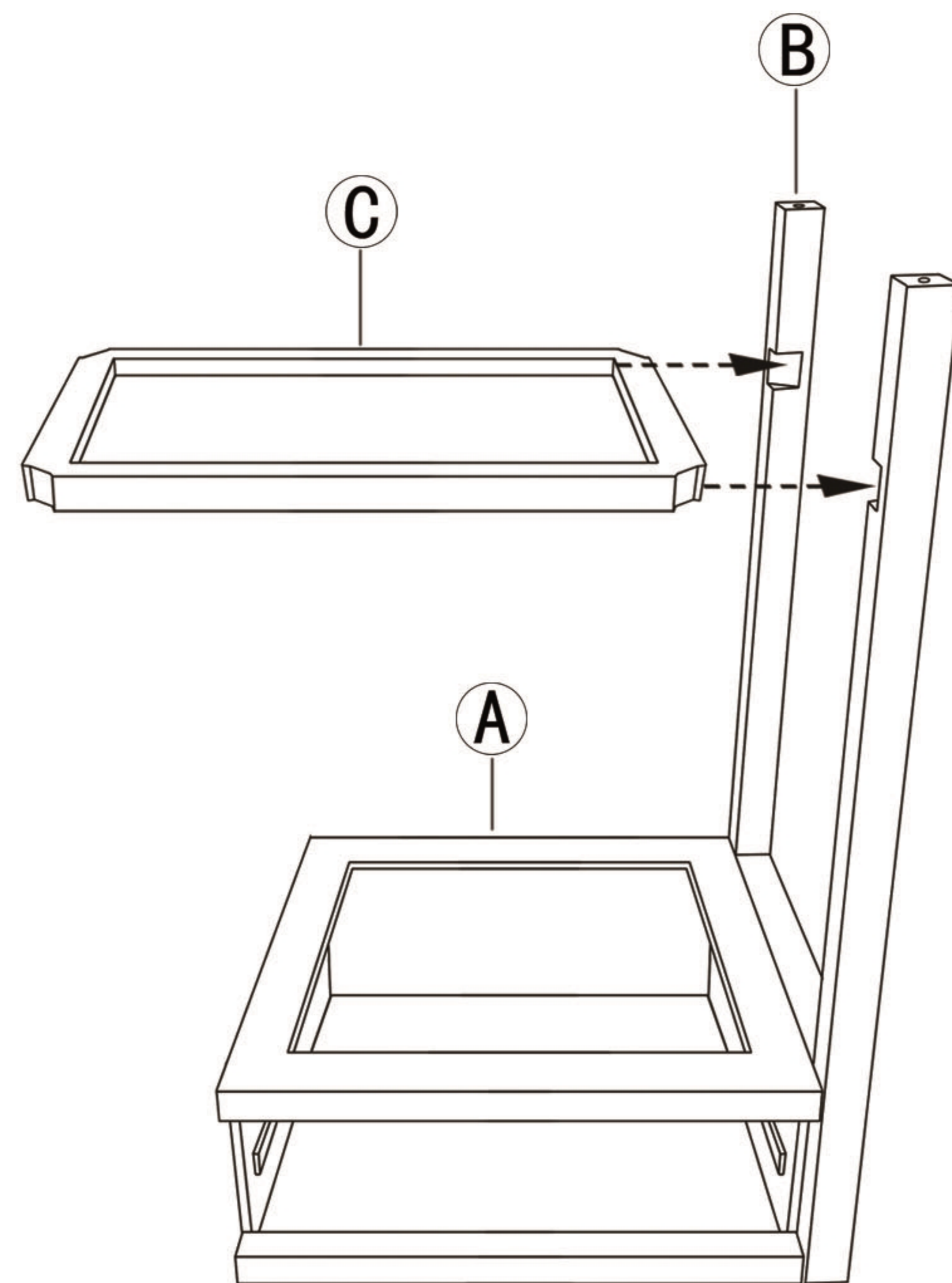
Assembly Instruction

PARTS	A 	B 	C 	D 	PARTS	1 	2 	3 	4
QTY	1	4	1	4	QTY	8	8	1	4

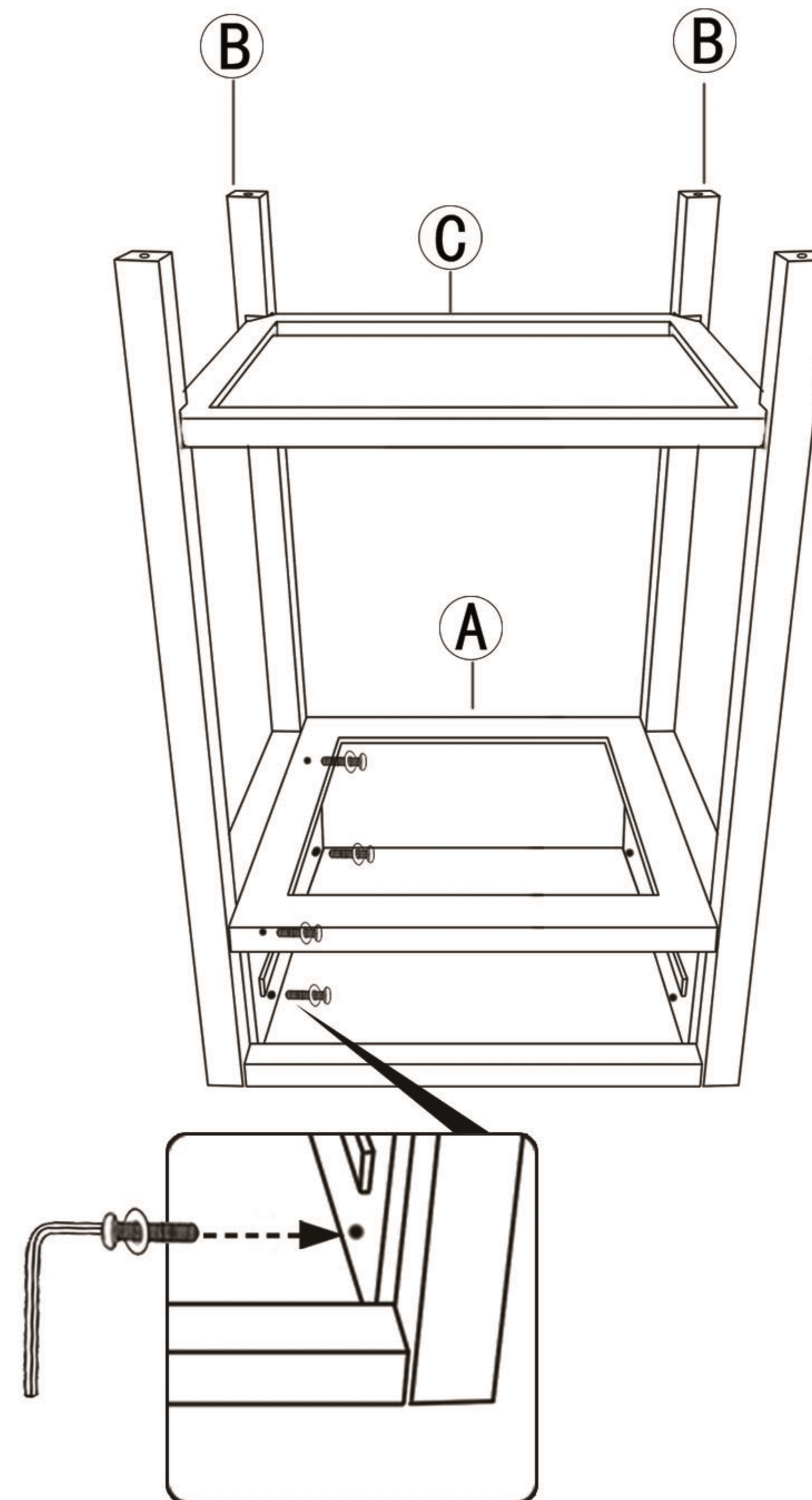
STEP 1



STEP 2



STEP 3



STEP 4

