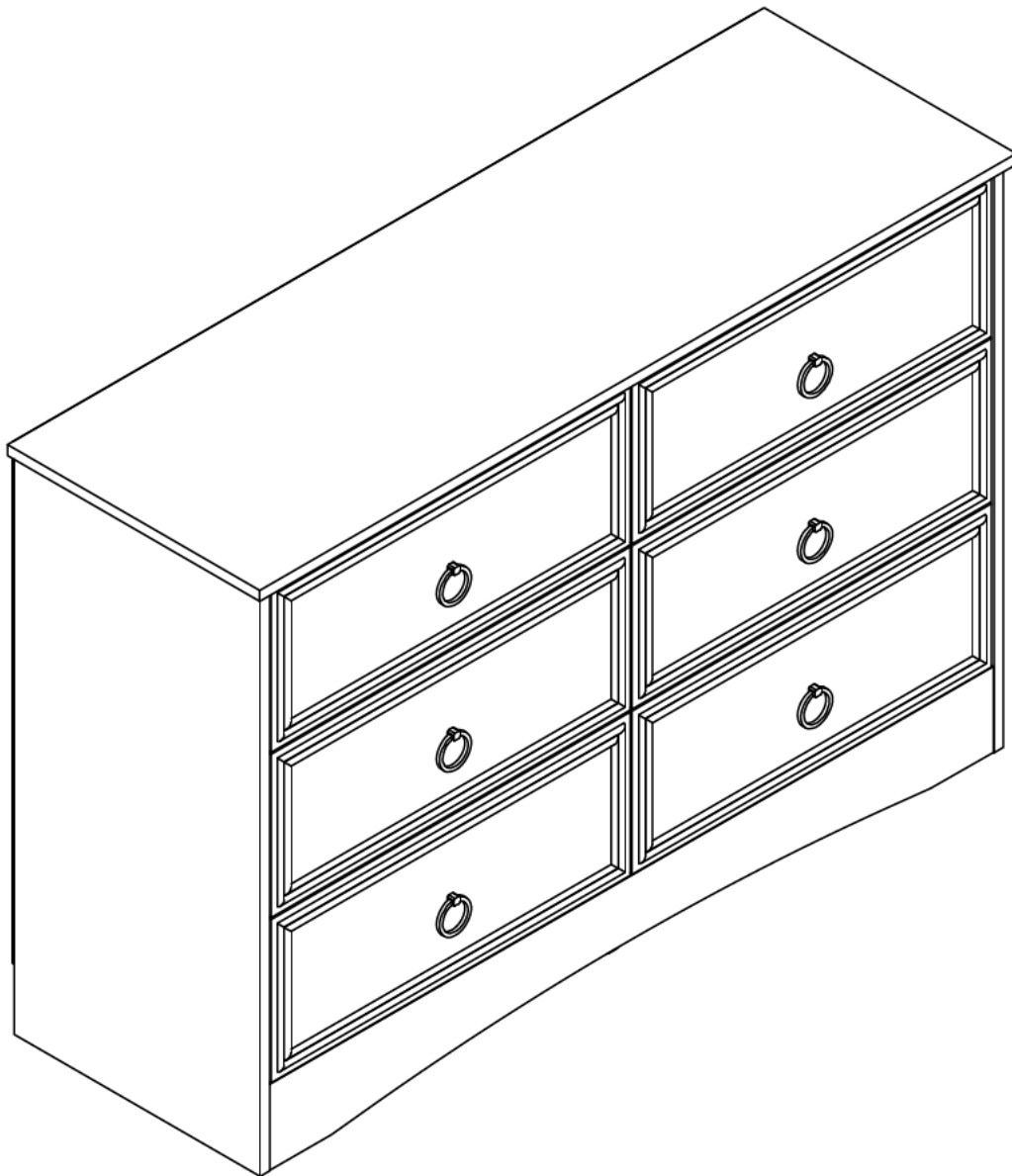
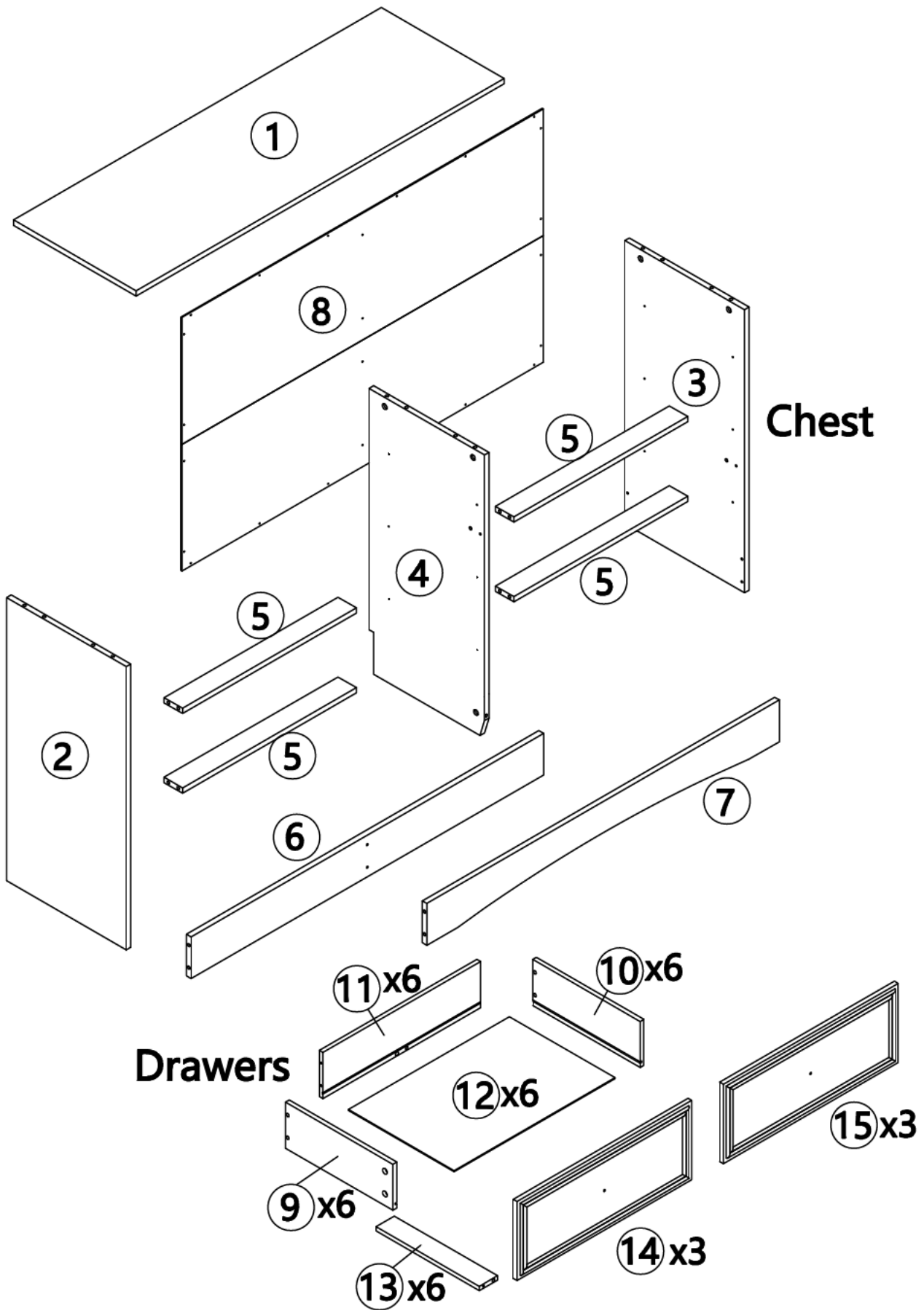












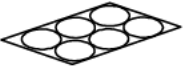

6 DRAWER DRESSER USER MANUAL



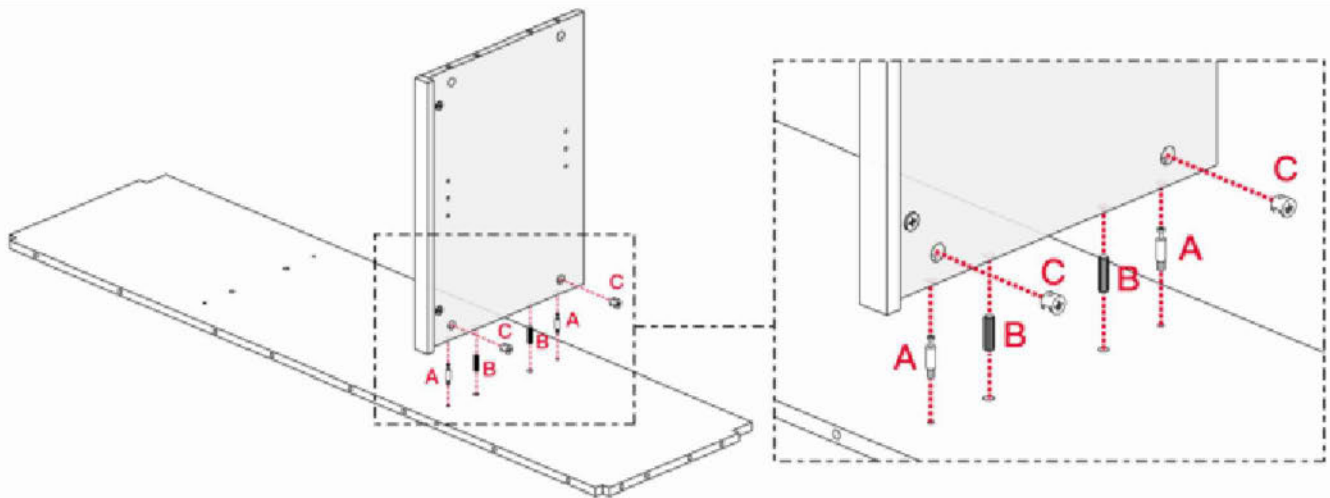
STRUCTURE FOR REFERENCE TO ASSEMBLY



List of Parts

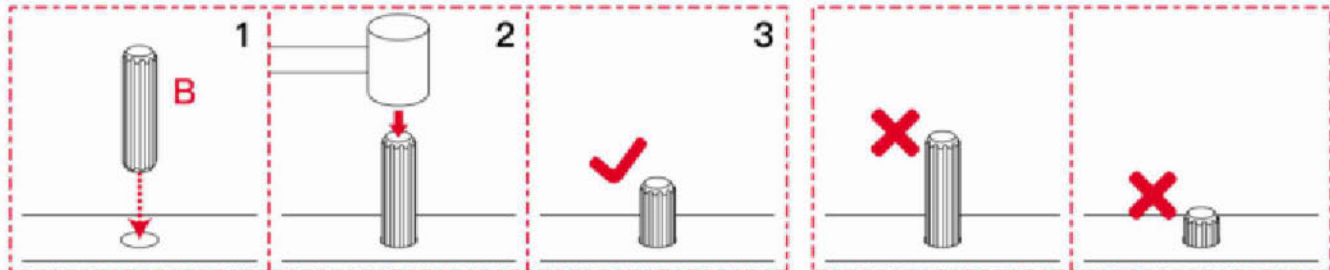
No.	Hare ware	Quantity
A		59+1
B		14
C		59+1
D		26
E		24
F		6
G		6
H		72+1
I		28+1
J		6
K		24+1
L		2

How the knock down (kd) assembly system works

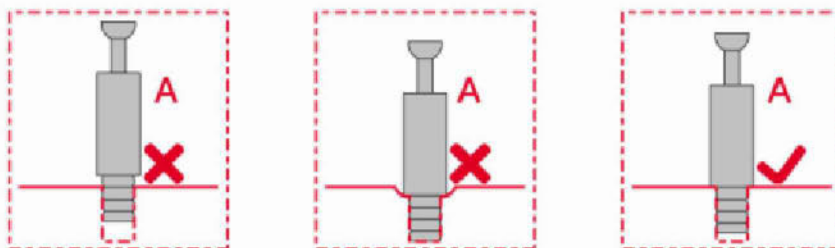


How to Install Wood Dowel

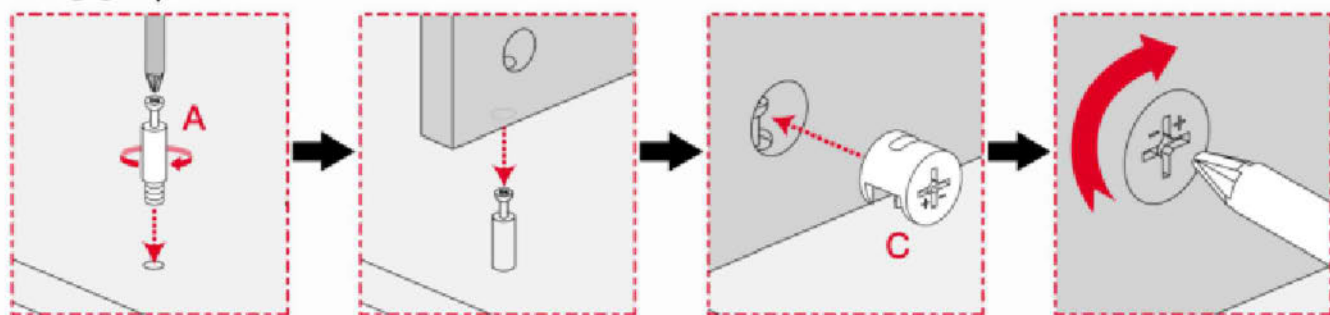
Insert the wood dowel [B] at least half way by tapping lightly with a rubber mallet, IF NECESSARY.



CAM LOCK SYSTEM OPERATION



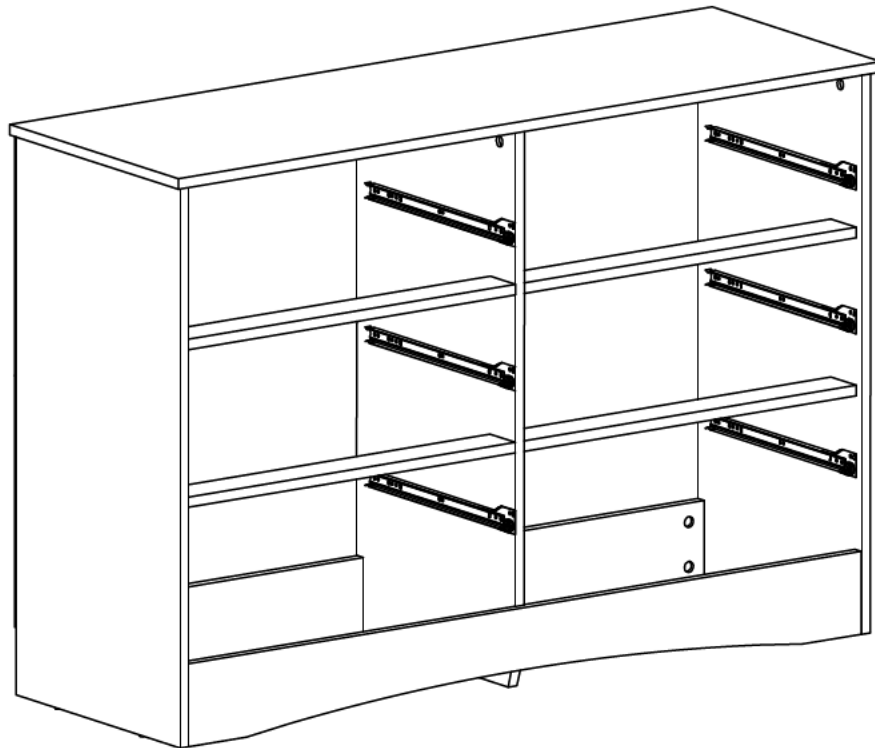
1. Screw the cam bolt [A] into the threaded insert on the panel.
2. Connect both panels together making sure cam bolt [A] goes into the pre-drilled large hole on the end of panel for cam lock [C].
3. Insert the cam lock [C] into the pre-drilled large hole on the panel. **Make sure the cross slot of cam lock [C] faces out.**
3. Rotate the cam lock [C] **clockwise** with a self-supplied phillips screwdriver to lock the cam bolt [A] in place.



You are now ready to assemble the dresser

You are now ready to assemble the dresser

Before installation, observe each structure of the drawer dresser. The drawer dresser consists of two main parts. You will assemble the chest first, and then install six drawers. Finally, look at the finished look, and contrast list of part, imagine how to install it faster, hope this will help you.



Step 1

J



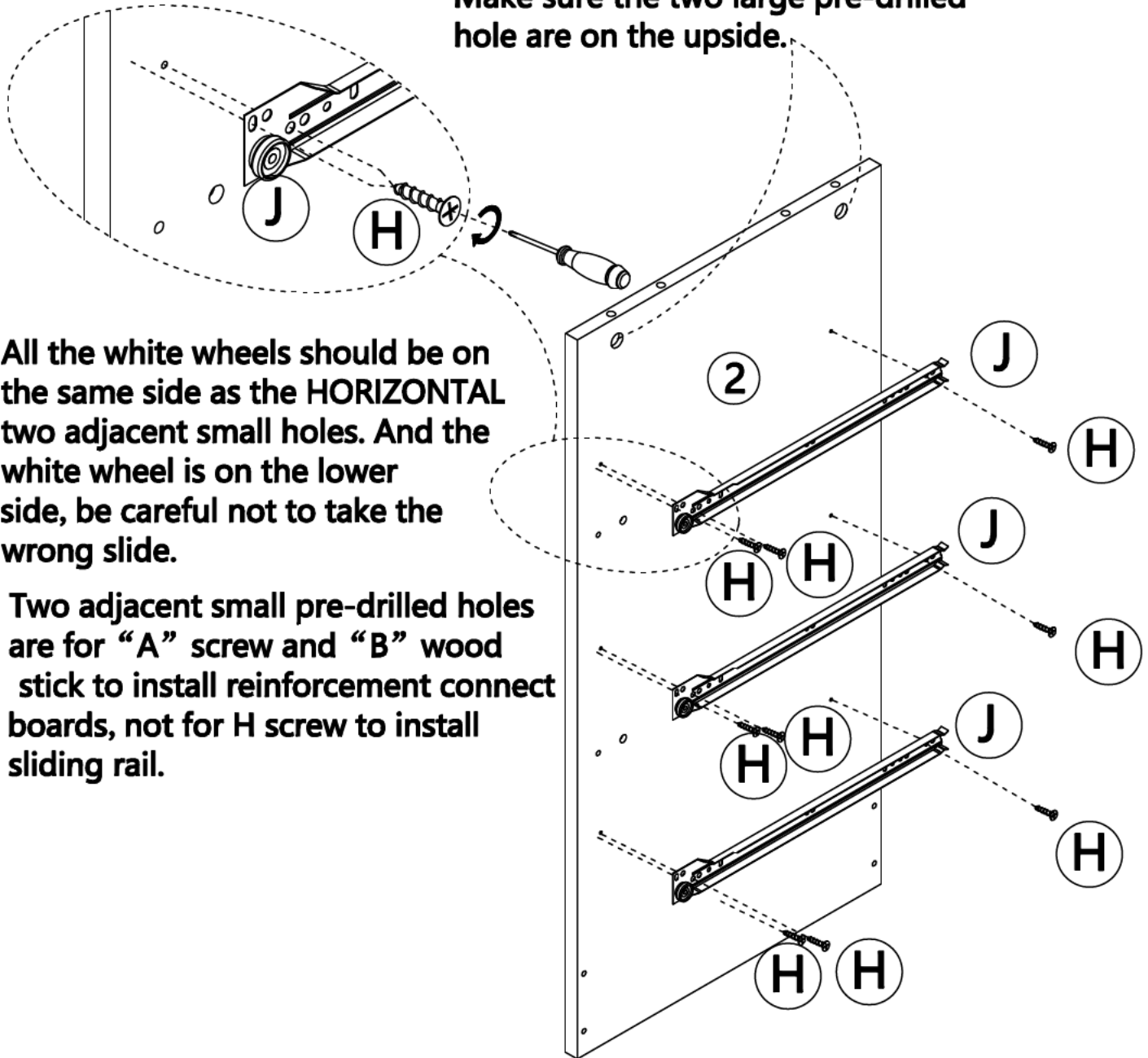
3pcs

H



9pcs

Make sure the two large pre-drilled hole are on the upside.



All the white wheels should be on the same side as the HORIZONTAL two adjacent small holes. And the white wheel is on the lower side, be careful not to take the wrong slide.

Two adjacent small pre-drilled holes are for "A" screw and "B" wood stick to install reinforcement connect boards, not for H screw to install sliding rail.

Step 2

J

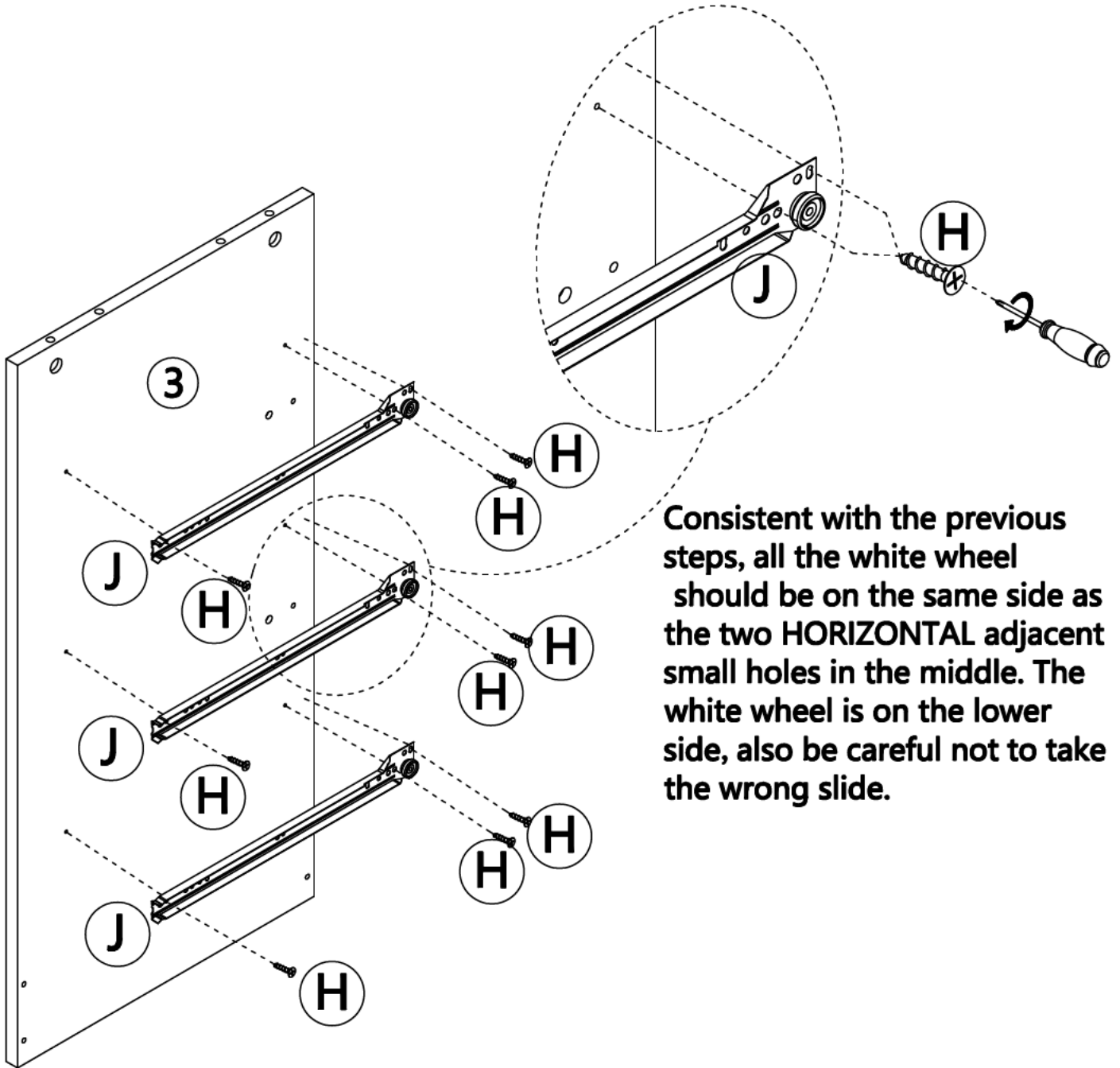


3pcs

H



9pcs



Consistent with the previous steps, all the white wheel should be on the same side as the two HORIZONTAL adjacent small holes in the middle. The white wheel is on the lower side, also be careful not to take the wrong slide.

Step 4

(A)

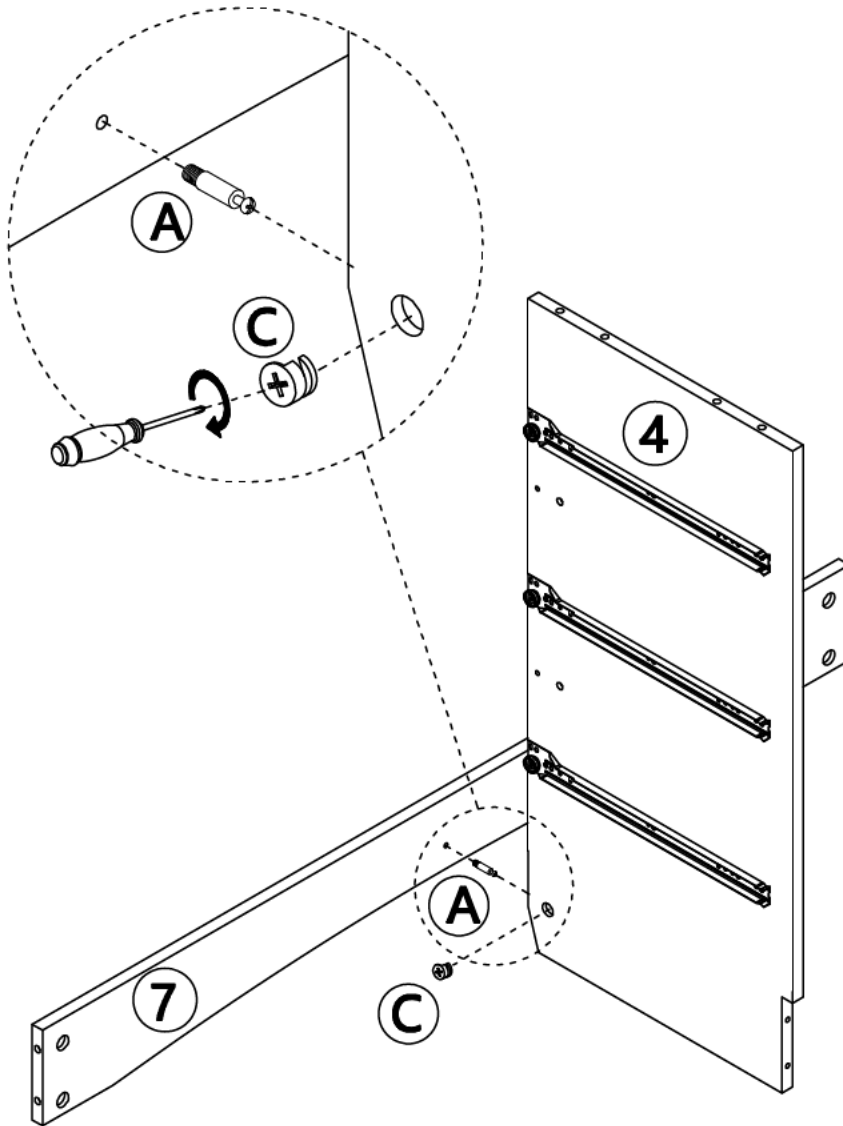


1pcs

(C)



1pcs

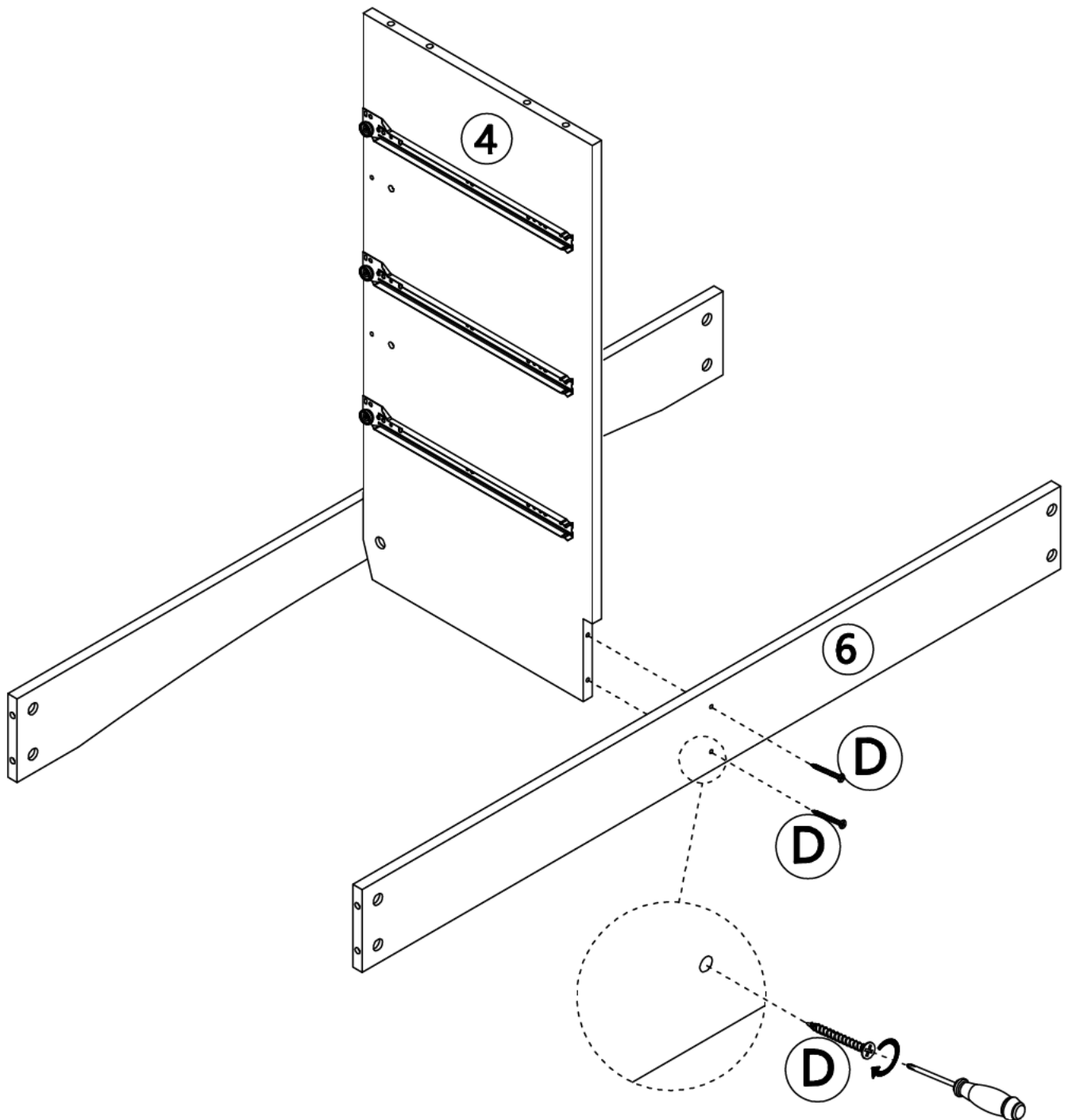


Step 5

ⓓ



2pcs

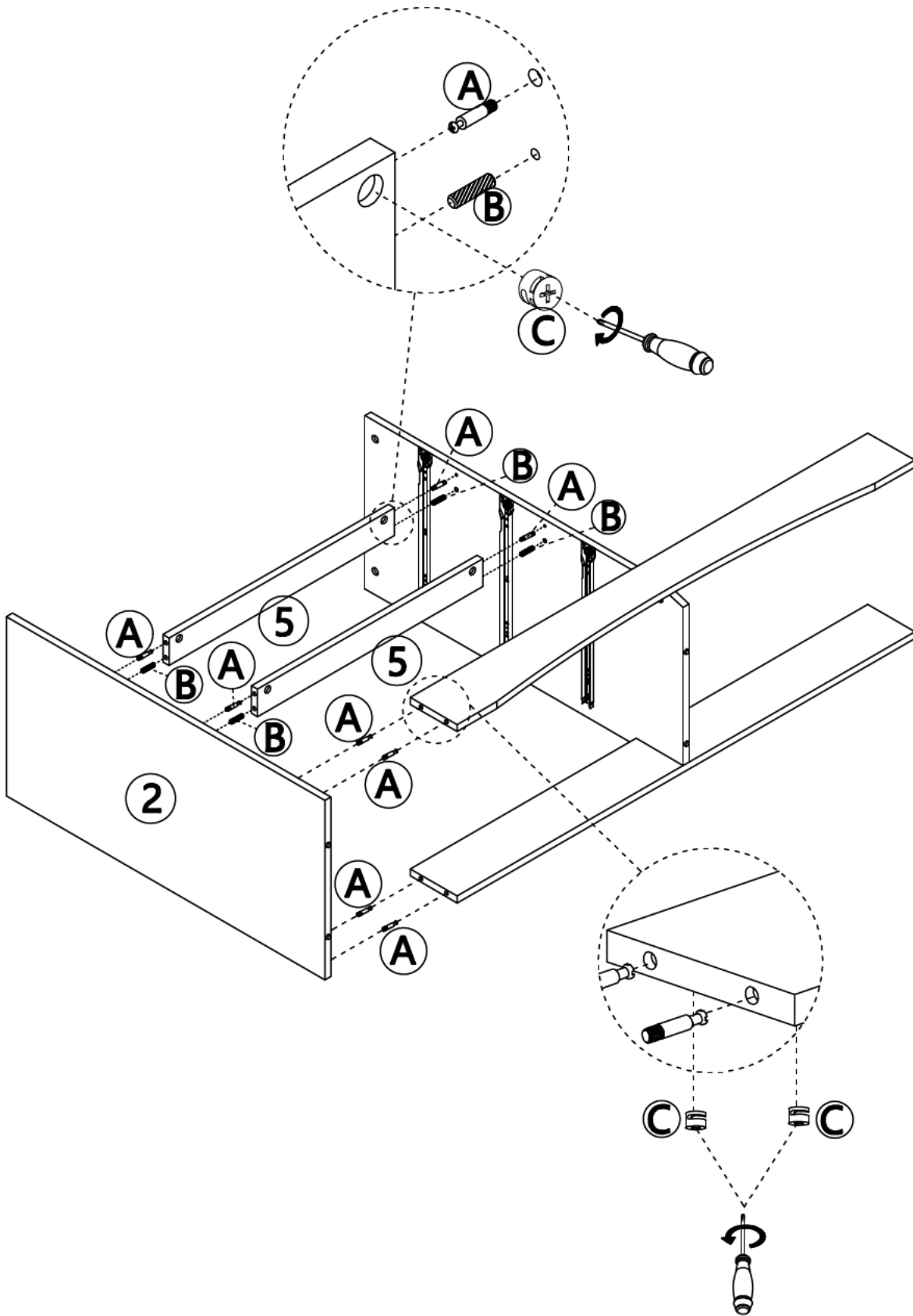


Step 6

A  8pcs

B  4pcs

C  8pcs

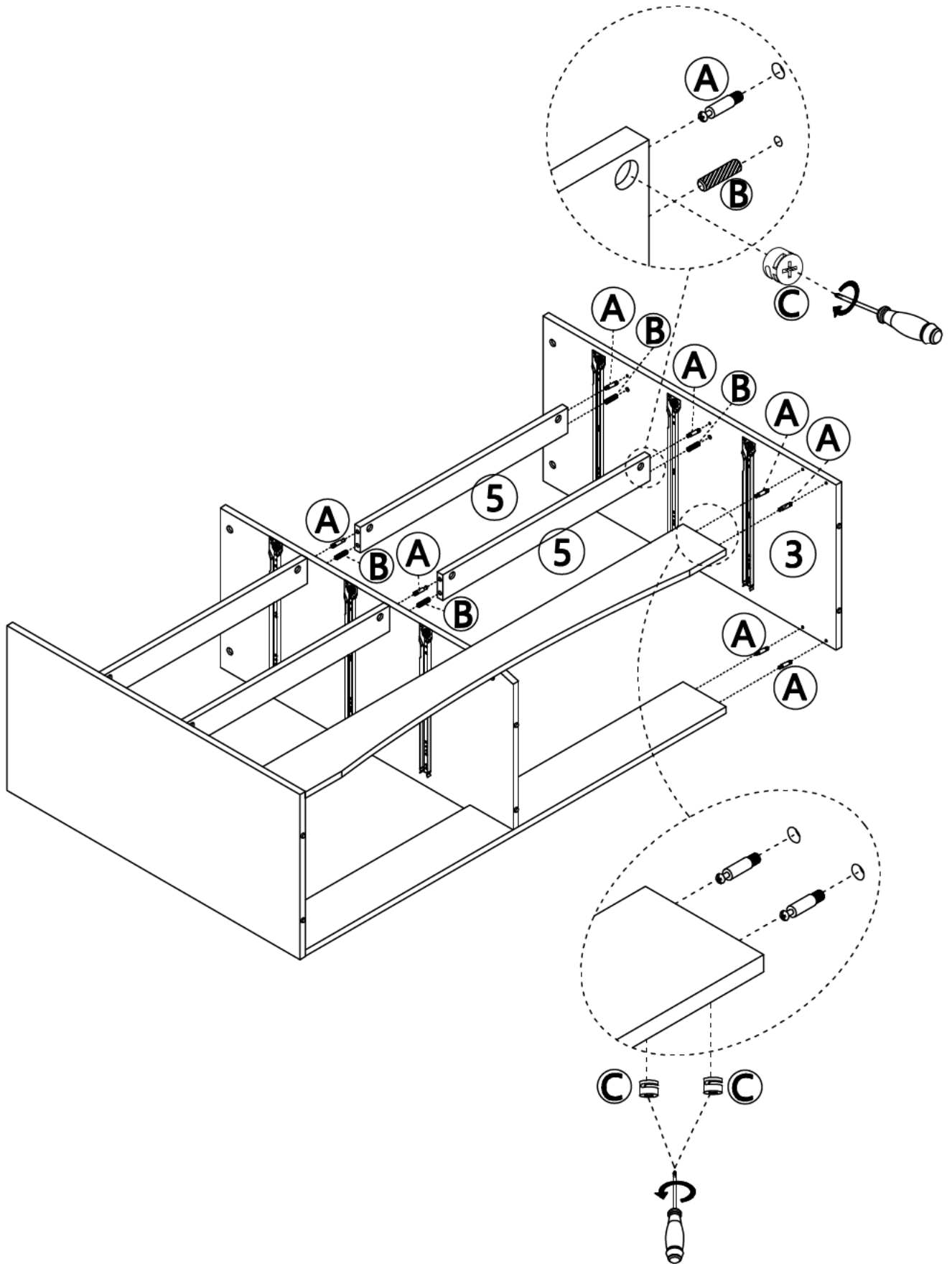


Step 7

A  8pcs

B  4pcs

C  8pcs

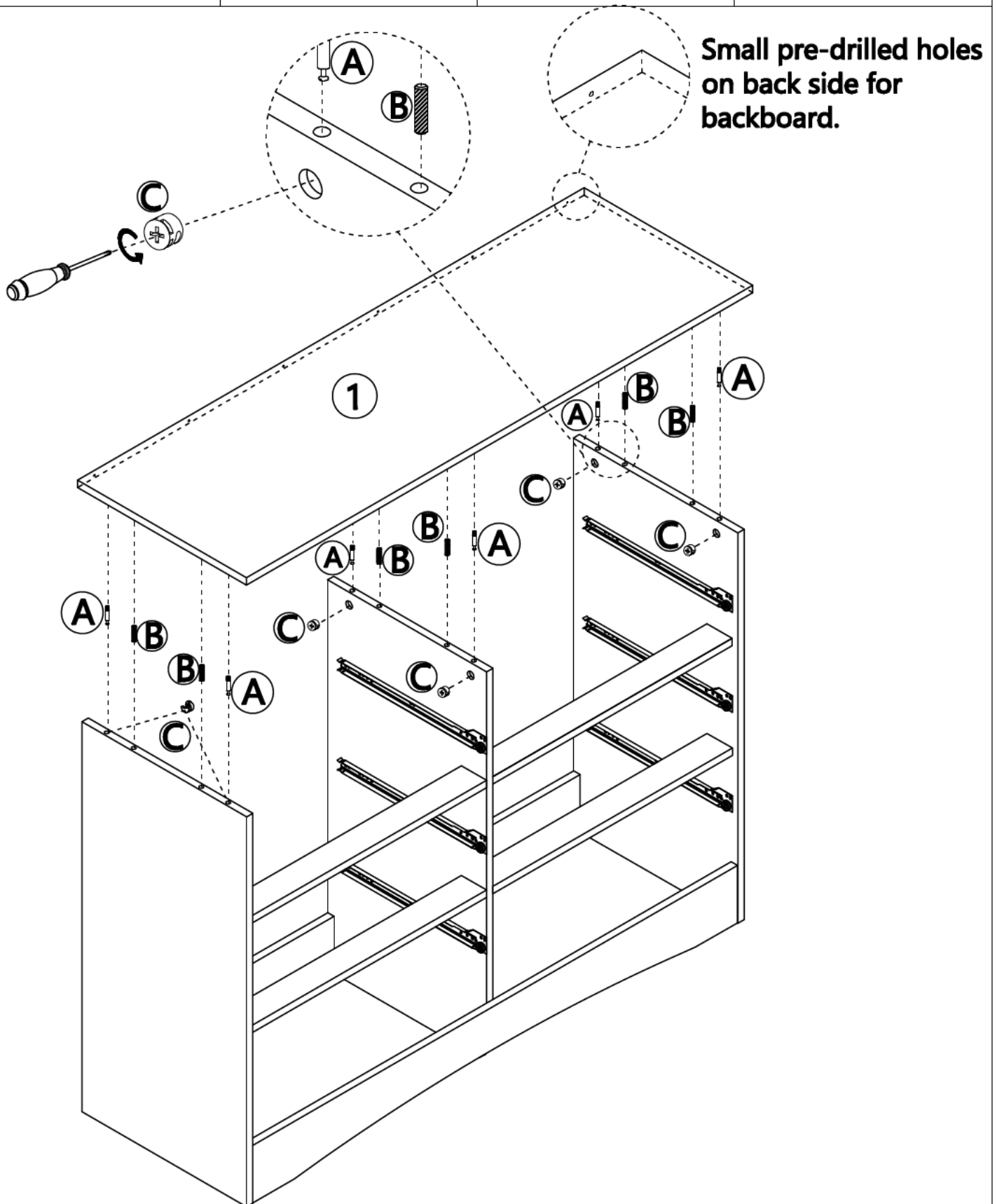


Step 8

A  6pcs

B  6pcs

C  6pcs



When assembling ① board. Insert A sticks in the ① board first and insert B sticks in ②③④ board, then align all the pre-drilled holes and put them together gently. Finally use the C nut to tighten with A.

Step 9

①

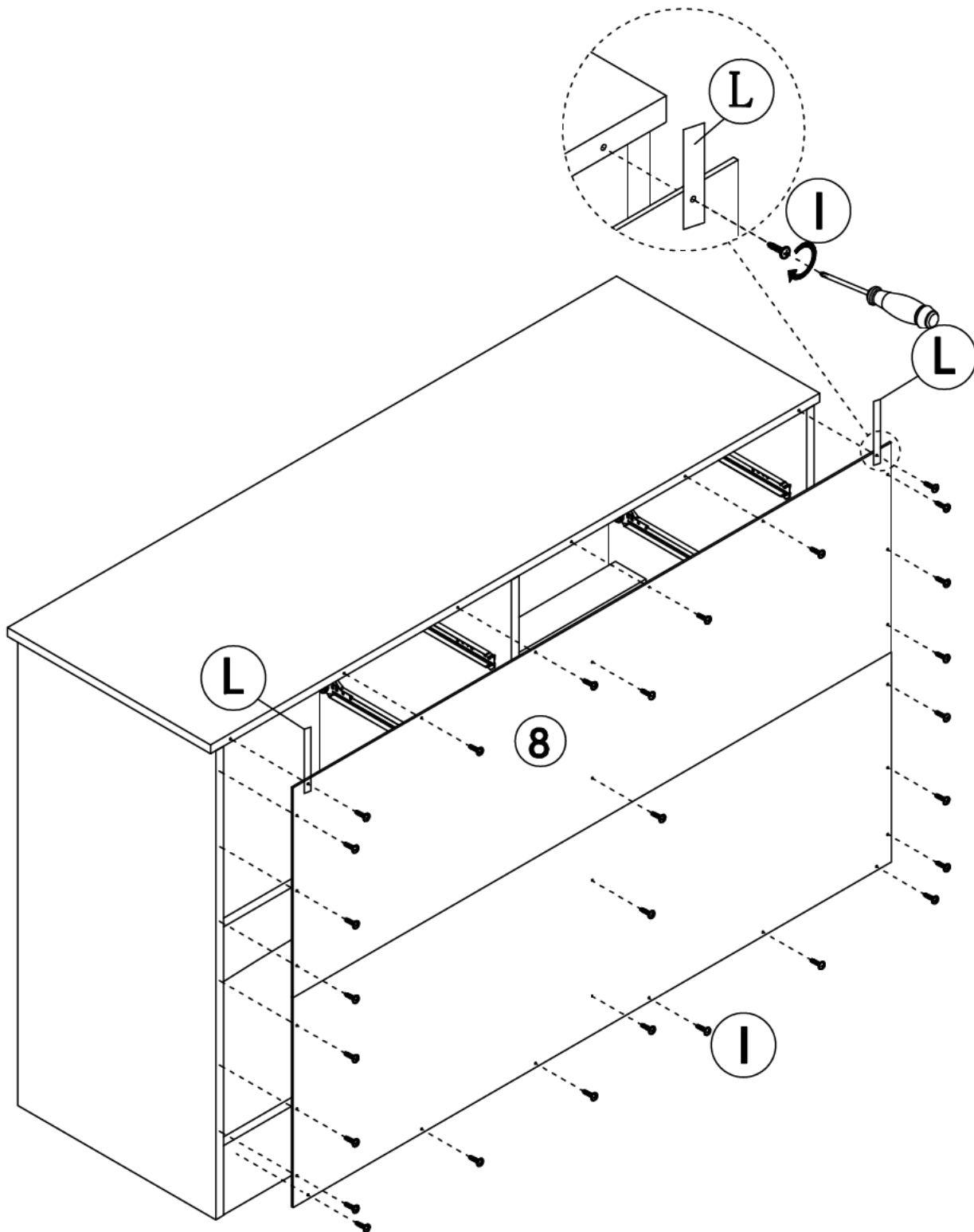


28pcs

Ⓛ



2pcs



WARM TIPS : It is recommended to attach the back panel ⑧ at the top panel ① first. Please remember not to fully tighten all the screws (I) until all of them are in correct position.

Only the top of the board has pre-drilled holes, other backboards without pre-drilled holes, just screw directly into it.

Step 10

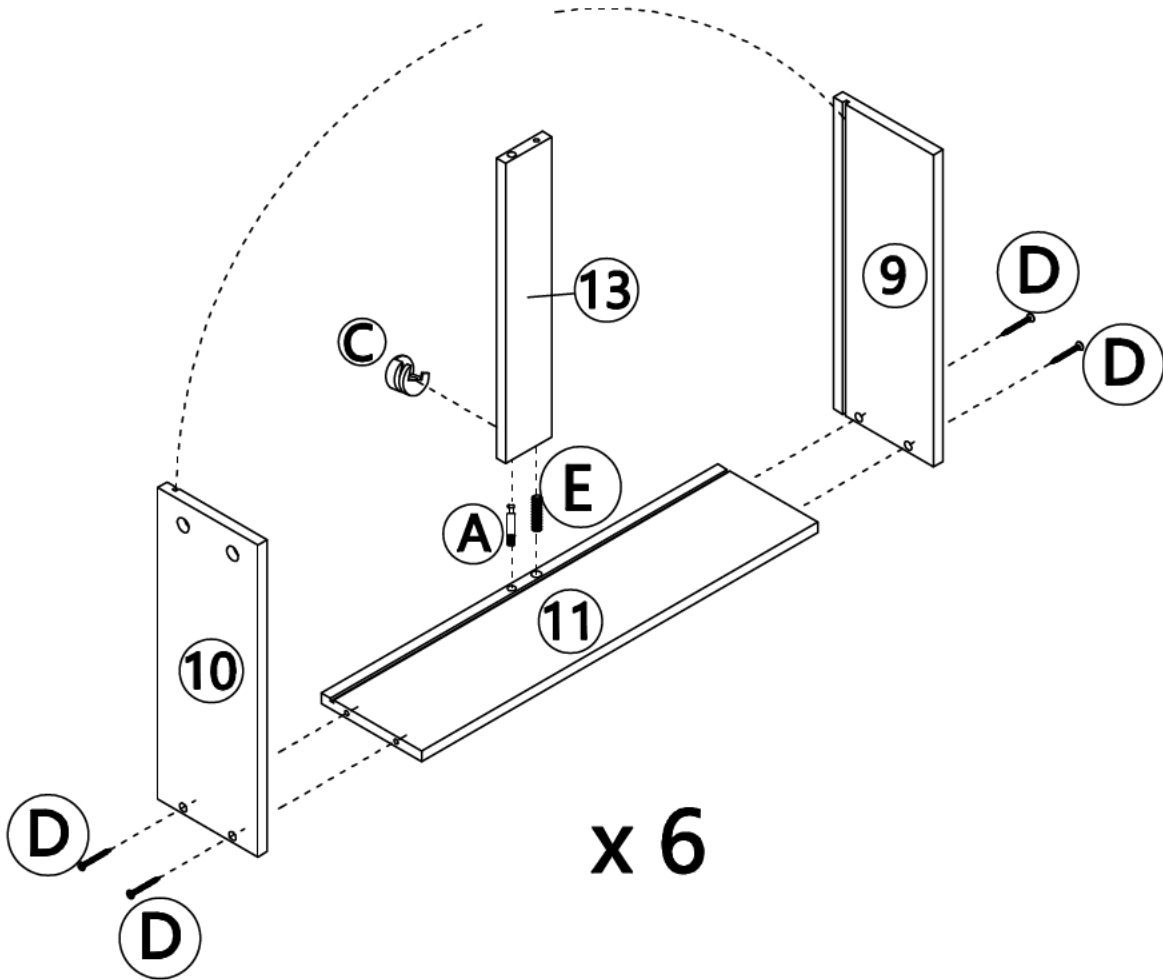
A  6pcs

C  6pcs

D  24pcs

E  6pcs

The long groove is used to install the bottom plate, make sure to take note of installing the grooves of these boards on the same side.



Start assembling the six drawers.

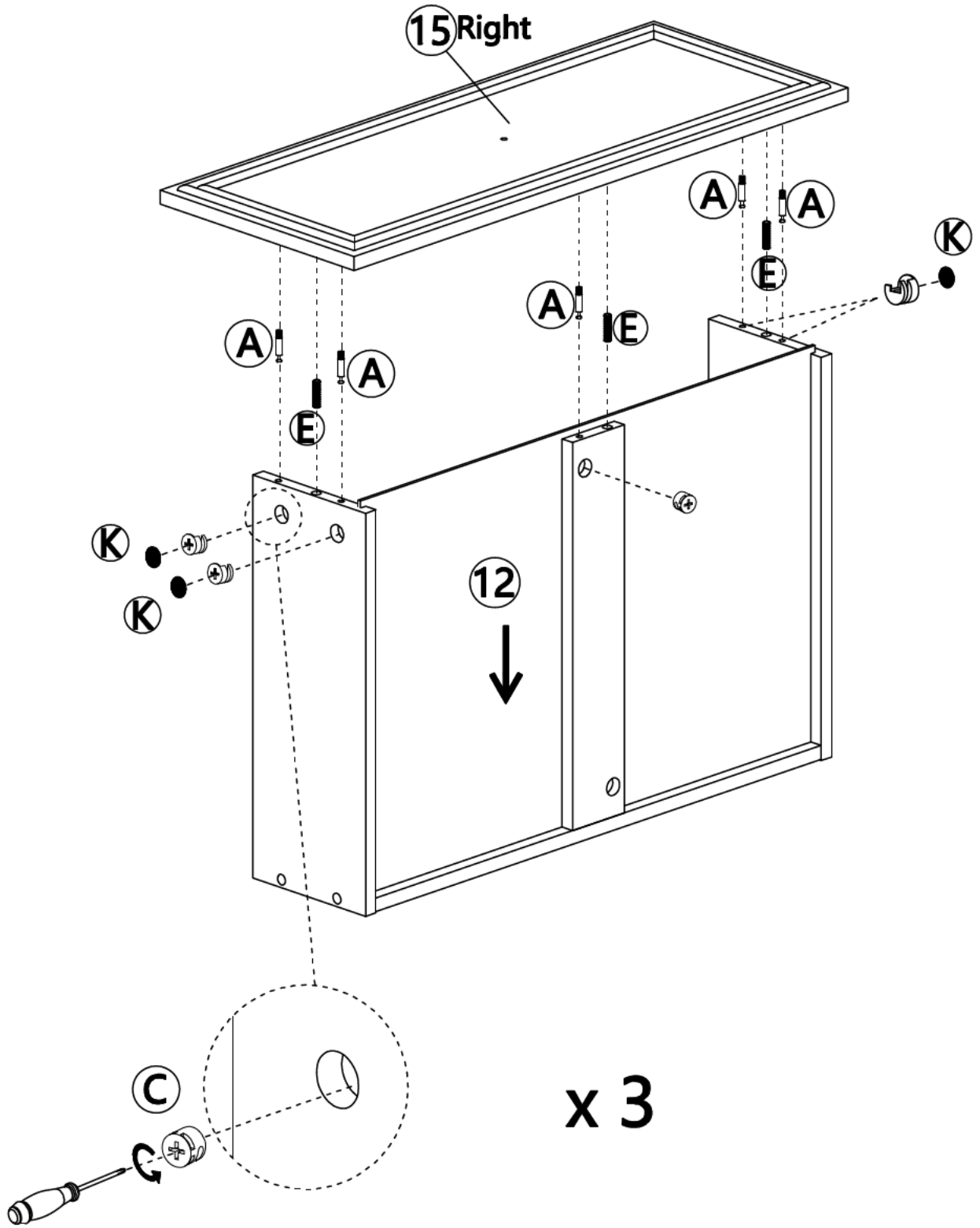
Step 12

A  15pcs

C  15pcs

E  9pcs

K  12pcs



Step 13

F

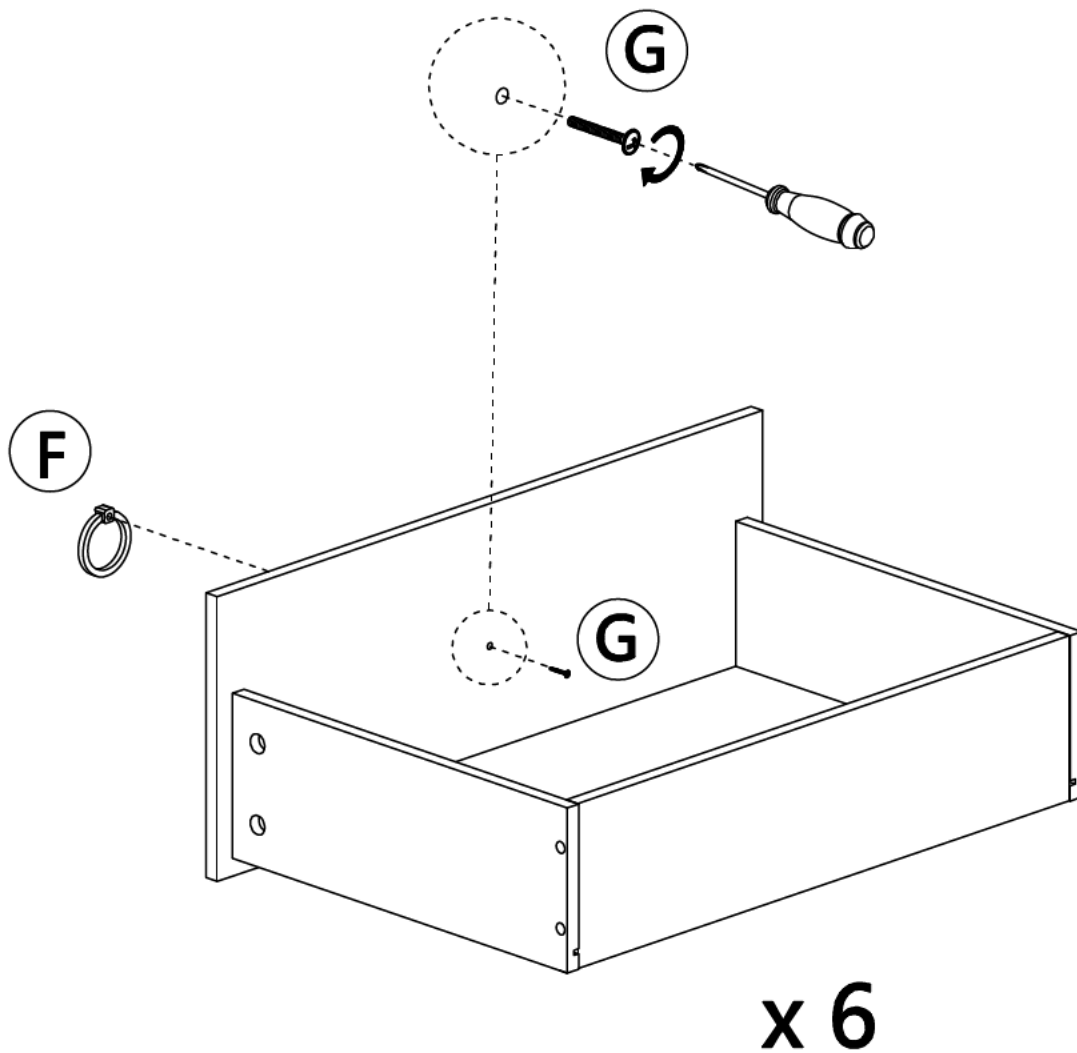


6pcs

G



6pcs



Insert screw G first, then align the pre-drilled holes of the pull, and tighten the screws.

Step 14

(H)



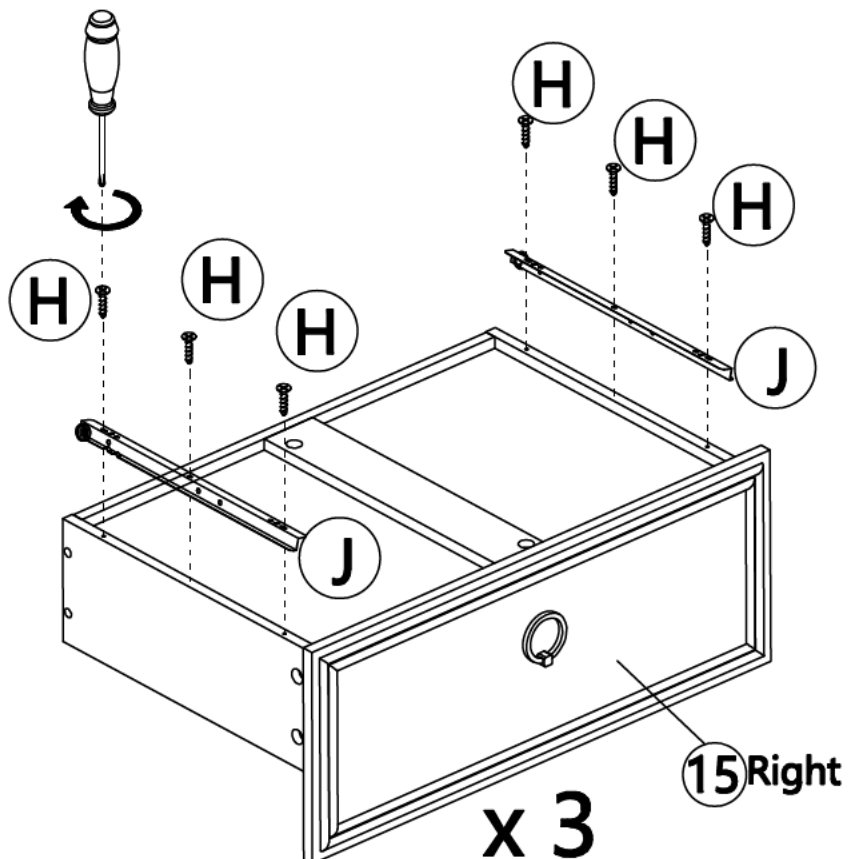
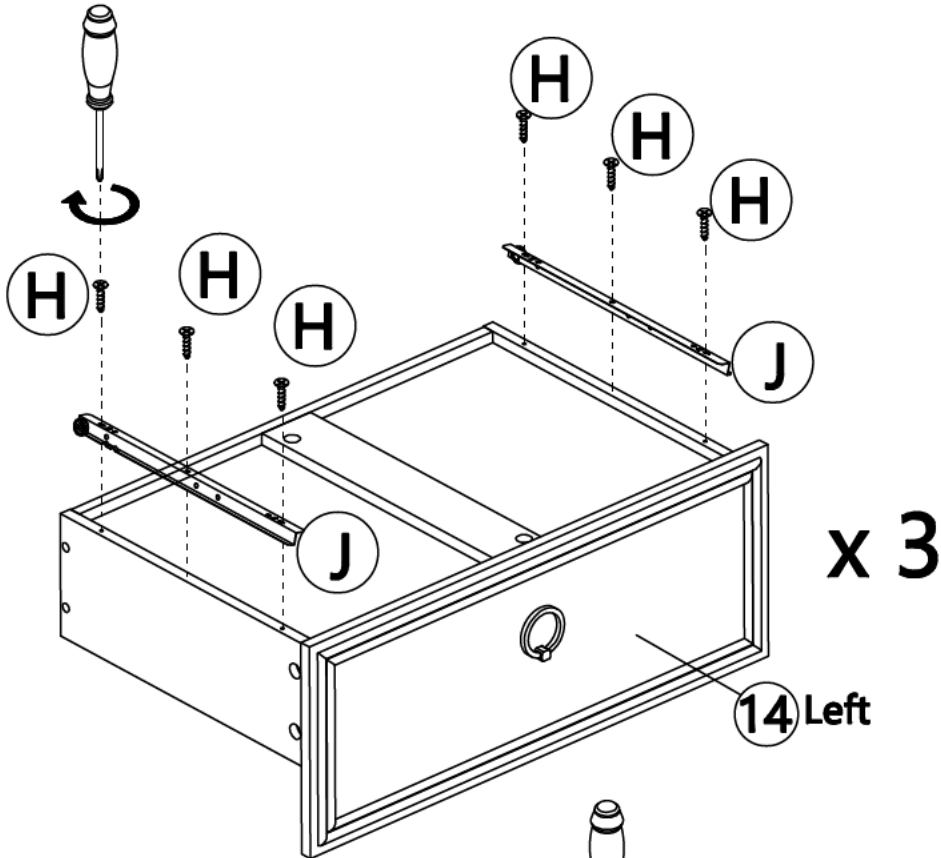
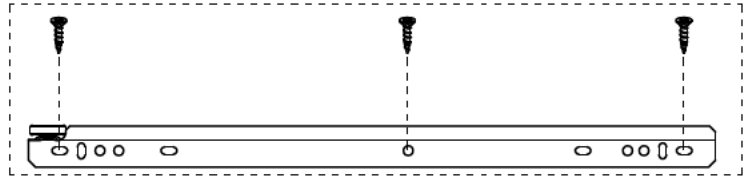
36pcs

(J)



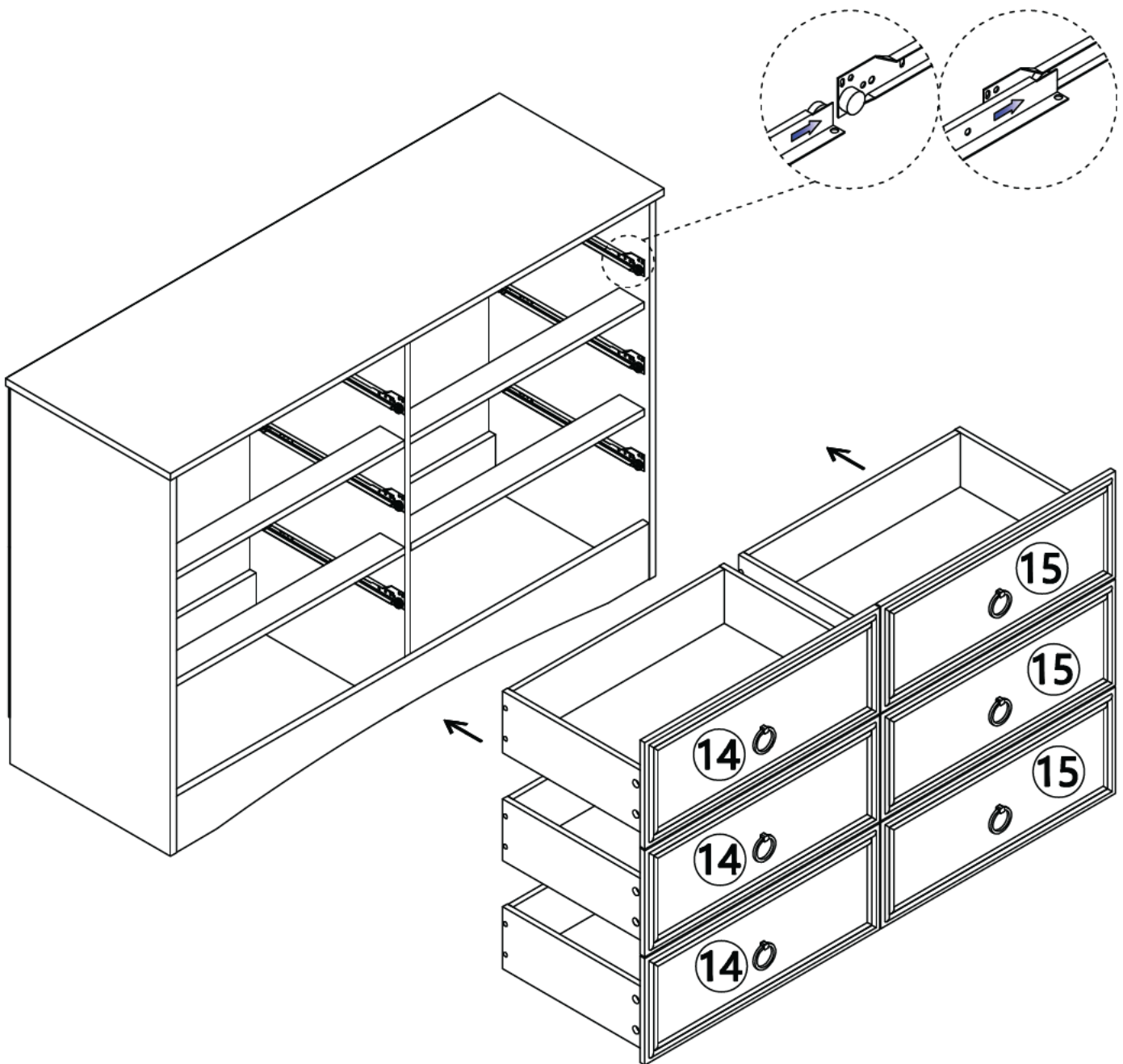
12pcs

-Install the drawer slides (J)
on the drawer side panels
⑨ & ⑩ as below shown.



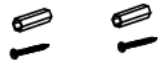
When building it make sure to
take note of the drawer slides is
the one similar to Z shape. And
the white wheels should be
installed on the back side.
Repeat the previous step to
install the remaining drawers.

Step 15

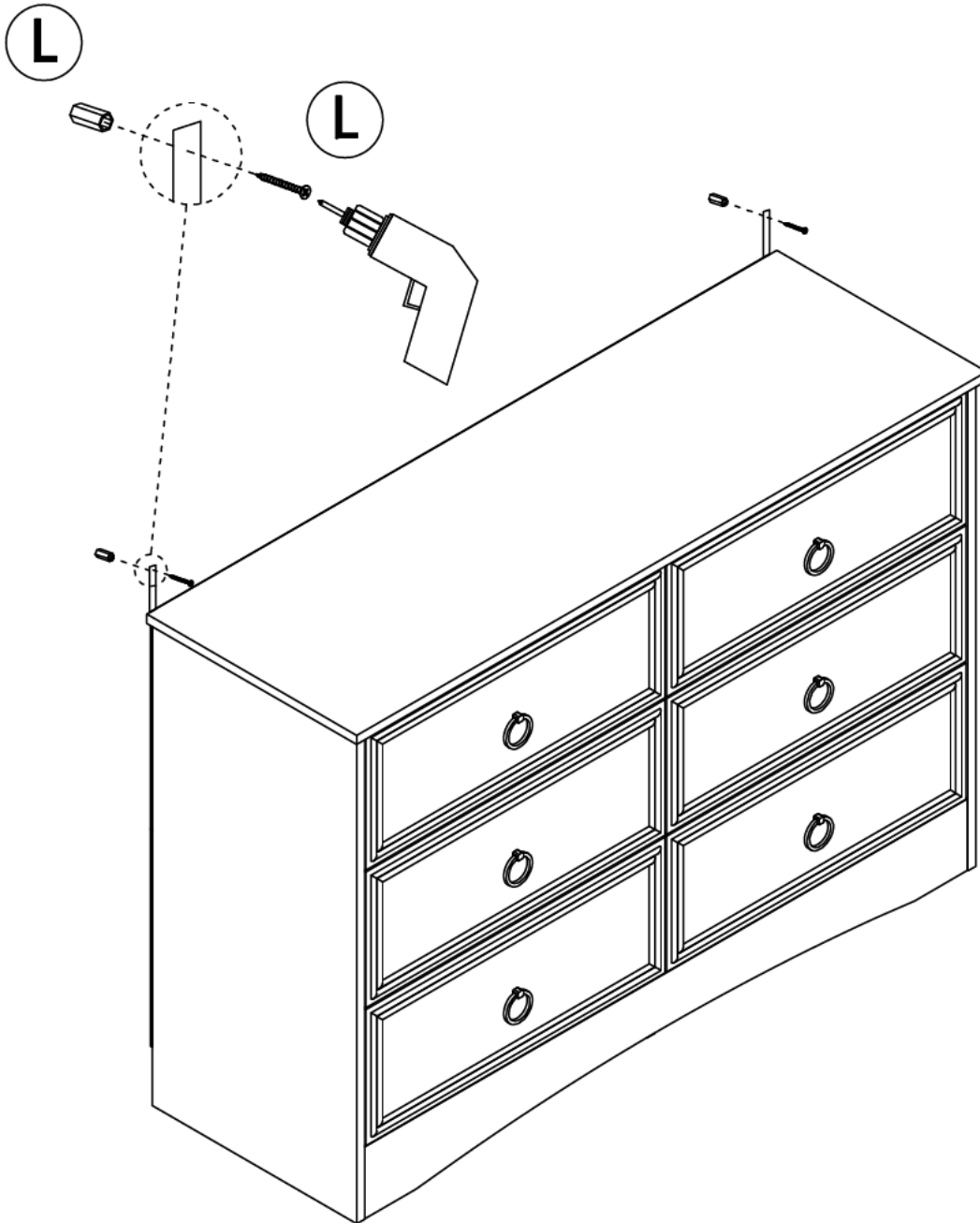


Step 16

(L)



2pcs



Tools required (not included): phillips screwdriver, stud finder, tape measure, pencil, power drill and 3/16" drill bit.

Now, follow the instructions printed on the plastic bag containing the tipping restraint hardware to attach the tip-over restraints to the unit and the wall.

NOTE: The tipping restraint hardware included is for wooden stud wall construction. It must be attached to a wall stud. depending upon your wall construction, different anchor hardware maybe required. please contact your local hardware store for assistance. young children can be seriously injured by tipping furniture. you must install the tipping restraint hardware with the unit to prevent the unit from tipping, causing any accidents or damage.

The tipping restraints are intended only as a deterrent, they are not a substitute for proper adult supervision. the tipping restraints are not earthquake restraints. if you wish to add the extra security of earthquake restraints, they must be purchased and installed separately.

FINAL

Great, you got a 6 drawer dresser !

