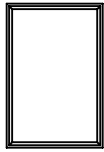
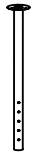

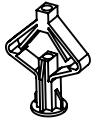


MOUNTING INSTRUCTIONS

Contents:

			
Mirror X1	Support X1	Screw X3	Anchor X3

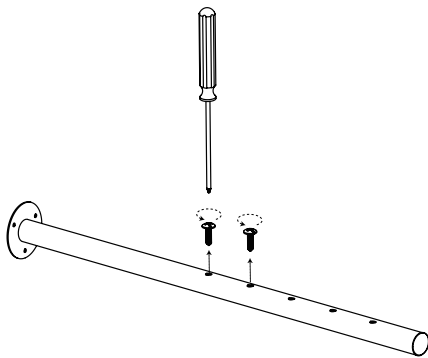


Missing Hardware: The parts are been carefully packed within a red bag and inserted in the styrofoam. Please check again in case you do not find the parts. If your order indeed arrives missing hardware, please do not worry, and feel free to reach out to us for help, we will ship you the replacement ASAP.

Questions, problems, missing parts?

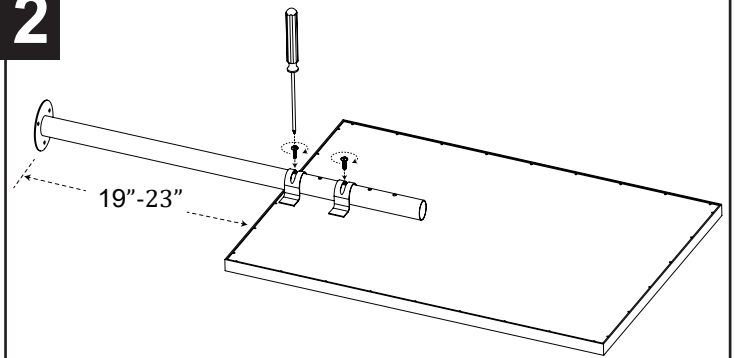
The hardware included with this item is meant for dry wall mounting only. If other wall types, please consult your local hardware store for assistance

1



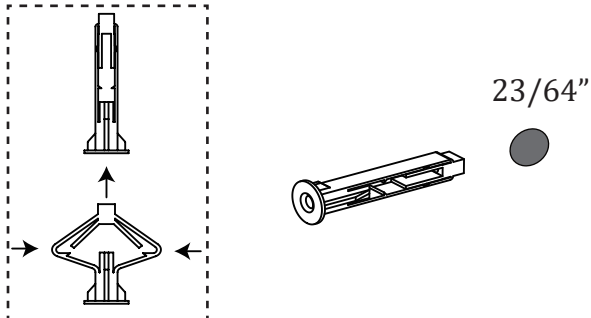
The screw is on the pipe, please remove the screw and keep it.

2



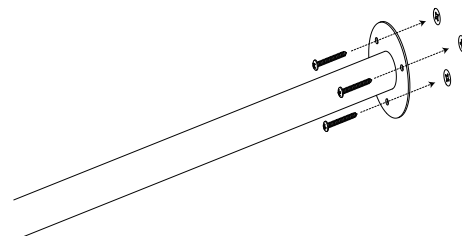
Adjust the height according to your needs and tighten the screw into the pipe.

3



Drill three $23/64$ " pilot holes in wall for each **Plate**
Screw the plastic **Anchors** into the holes until flush.

4



Secure the **Plates** onto the anchors with the **Screws**.

Cleaning

Avoid using commercial or abrasive cleaners. Using only a soft damp cloth will preserve the finish.