

Thank you for purchasing our product!

Please assemble the products with the guidance of this manual instruction. Contact our friendly customer service department with any comments or in case there is any missing or damaged parts or hardware. Replacements for missing or damaged parts, or hardware are normally shipped within 2 to 3 days.

We appreciate your business!

ASSEMBLY INSTRUCTION

DINING CHAIR

IMPORTANT NOTE :

BEFORE YOUR BEGIN, PLEASE READ AND FOLLOW THE ASSEMBLY INSTRUCTIONS CAREFULLY.



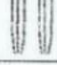

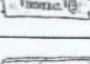
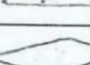
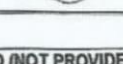
1. IDENTIFY AND SEPARATE ALL PARTS BEFORE DISCARDING PACKAGING.
2. PLACE WOODEN PARTS ON A CLEAN SOFT SURFACE TO AVOID SCRATCHING THE PARTS.
3. DO NOT COMPLETELY TIGHTEN SCREWS UNIT AFTER STEP 7.
4. DO NOT USE POWER TOOL FOR ASSEMBLY.

IMPORTANT : IF YOU DO NOT ADHERETO NOTE 3 & 4, IT WILL RESULT IN DAMAGES TO THE PRODUCTS.

5. AS WITH ALL FURNITURE, OCCASIONALY CHECK TO INSURE HARDWARE IS TIGHT.

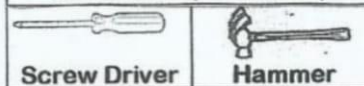


HARDWARE LIST (FOR ONE CHAIR)		
NO	DESCRIPTION	QTY
A	JCBC WOOD (LONG) 	2PCS
B	JCBC WOOD 	6PCS
C	SPRING WASHER 	6PCS
D	WOOD DOWEL 	12PCS
E	WOOD SCREW 	4PCS
F	JCBC BOLT 	6PCS
G	ALLEN KEY 	1PC
H	FLAT WASHER 	6PCS
I	GLUE 	1PC

PART LIST (FOR ONE CHAIR)		
NO	DESCRIPTION	QTY
1	CHAIR BACK 	1PC
2	LEFT & RIGHT BACK LEG 	2PCS
3	LEFT & RIGHT FRONT LEG 	2PCS
4	SIDE RAIL 	2PCS
5	FRONT RAIL 	1PC
6	BACK RAIL 	1PC
7	SEAT 	1PC

***DO NOT USE POWER TOOLS FOR ASSEMBLY**

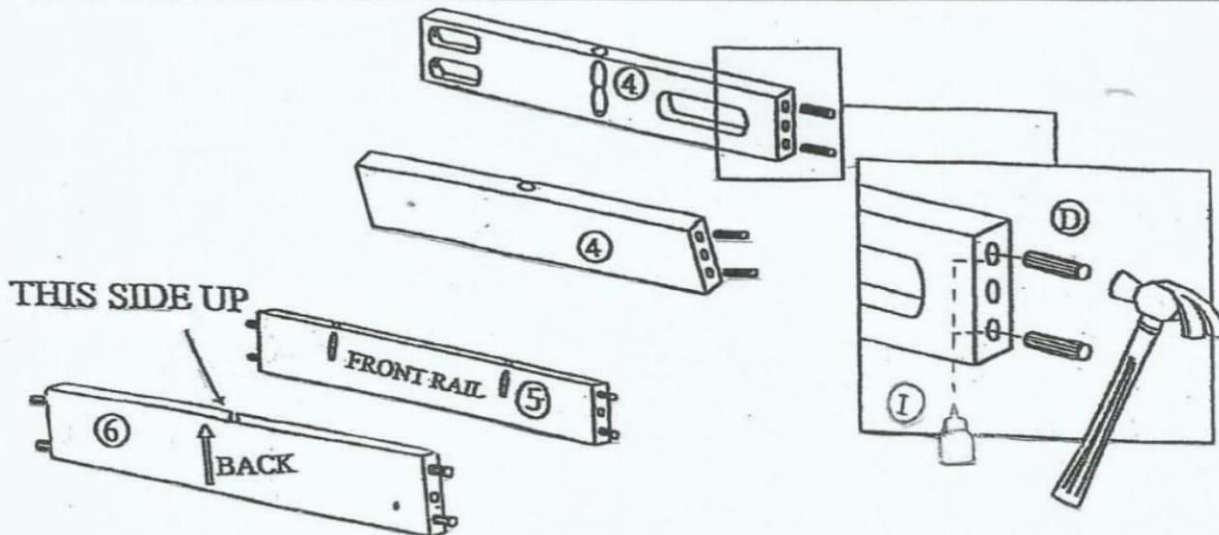
TOOL REQUIRED (NOT PROVIDED):



Screw Driver

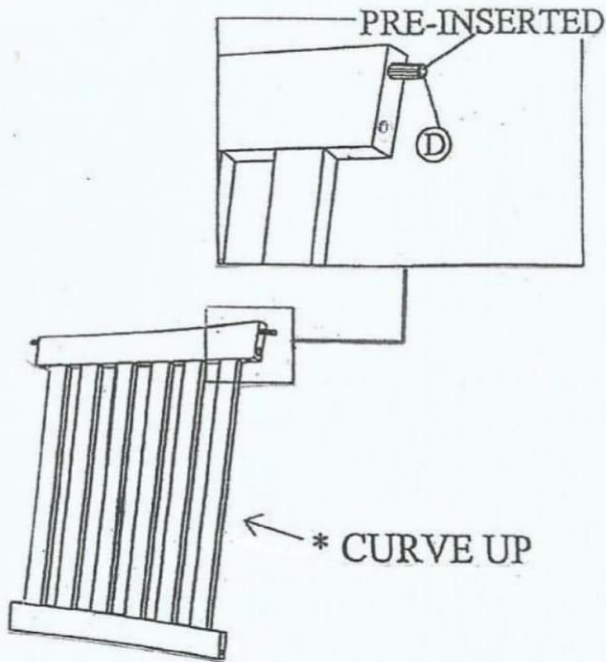
Hammer

STEP 1

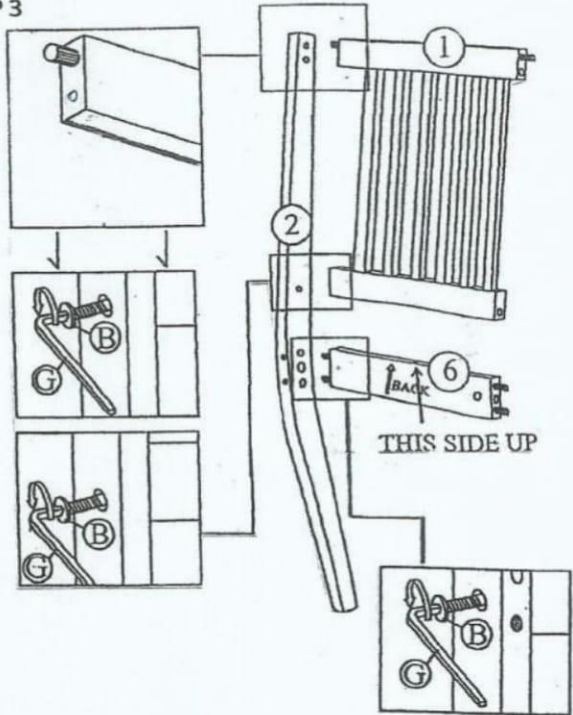


ASSEMBLY INSTRUCTION DINING CHAIR

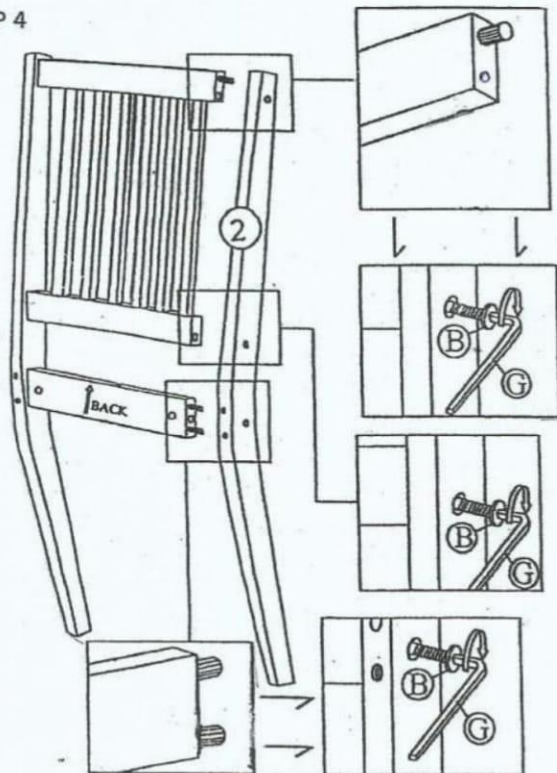
STEP 2



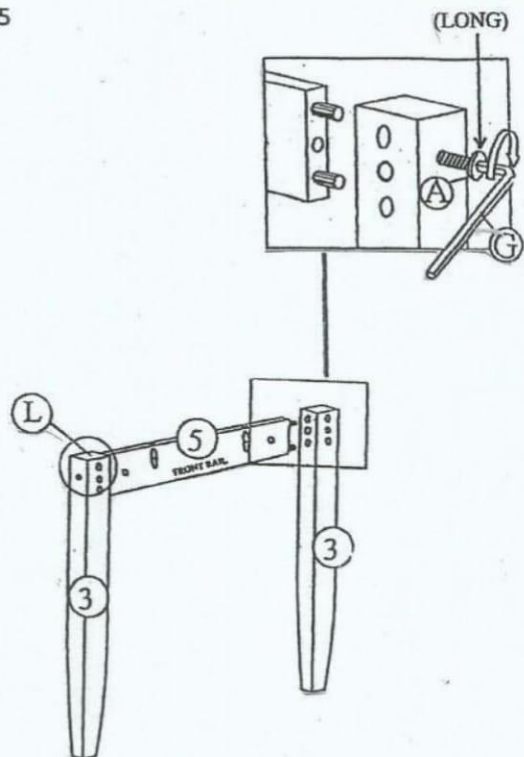
STEP 3



STEP 4

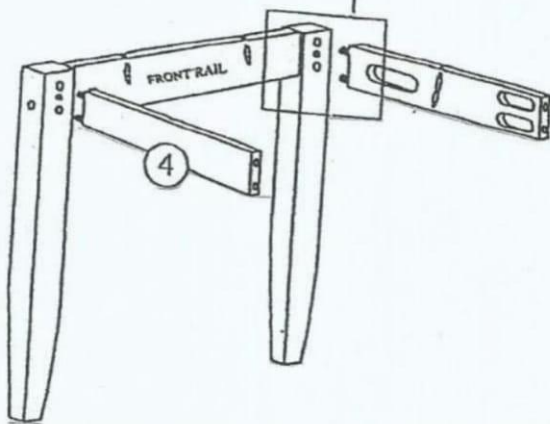
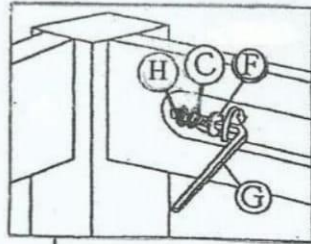


STEP 5

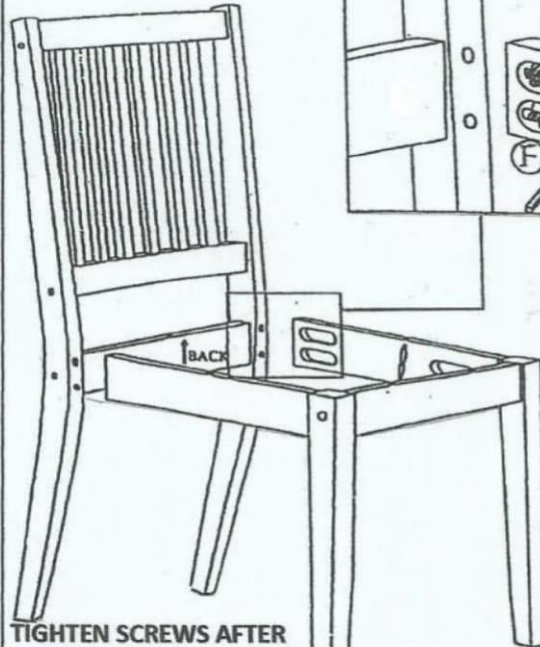
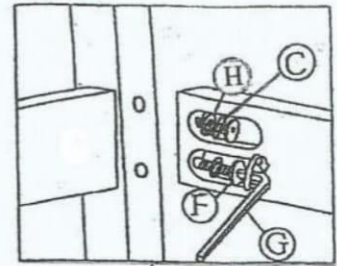


ASSEMBLY INSTRUCTION DINING CHAIR

STEP 6

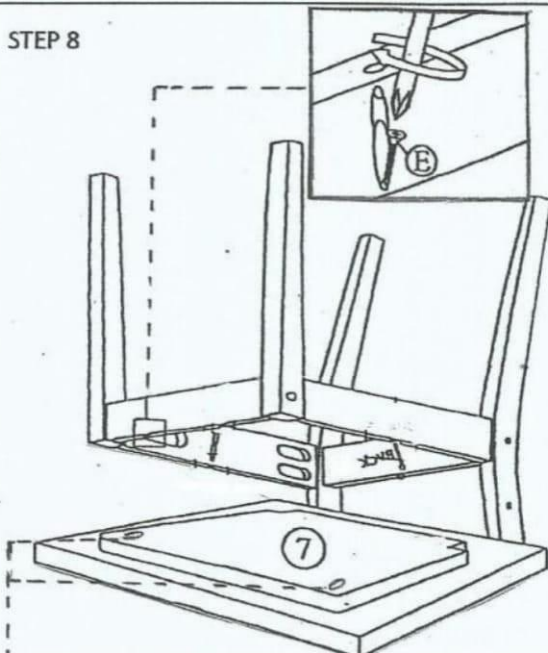
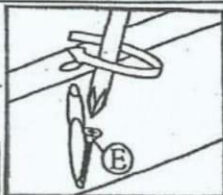


STEP 7



**TIGHTEN SCREWS AFTER
COMPLETING THIS STEP 7.
DO NOT USE POWER TOOL**

STEP 8



**DISREGARD THE TWO HOLES, THEY ARE NOT PART OF
THE ASSEMBLY (FOR MANUFACTURER'S USE ONLY)**
HOLES ON SEAT ARE NOT PRE-DRILLED. TAP THE END OF THE
SCREW DRIVER WITH A HAMMER TO MAKE STARTING
HOLES AT 4 PLACES. 2 IN FRONT AND 1 ON EACH SIDE

STEP 9



FULLY SET UP