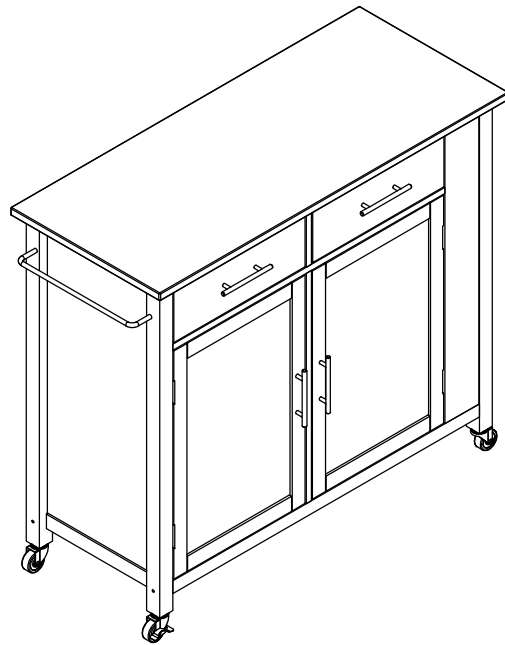
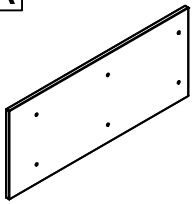
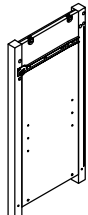
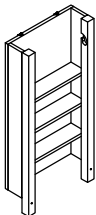
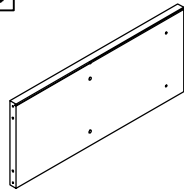
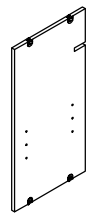

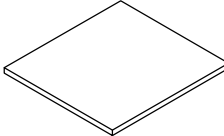
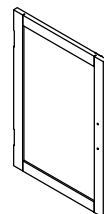
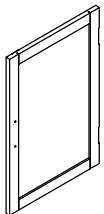
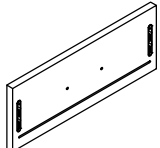
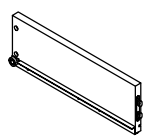
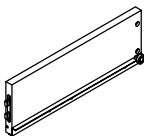
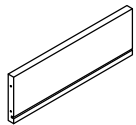
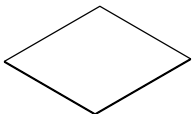
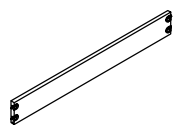
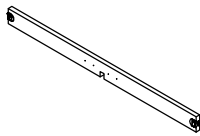

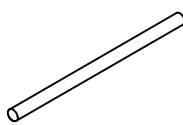


## Full-Size Kitchen Cart



# PART LIST

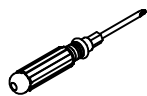
<p><b>A</b></p> 	<p><b>B</b></p> 	<p><b>C</b></p> 	<p><b>D</b></p> 	<p><b>E</b></p> 
<p>Top Panel 1 PC</p>	<p>Left Frame 1 PC</p>	<p>Right Frame 1 PC</p>	<p>Bottom Panel 1 PC</p>	<p>Partition Panel 1 PC</p>
<p><b>F</b></p> 	<p><b>G</b></p> 	<p><b>H</b></p> 	<p><b>I</b></p> 	<p><b>J</b></p> 
<p>Back Panel 2 PCS</p>	<p>Adjustable Shelf 2 PCS</p>	<p>Left Door 1 PC</p>	<p>Right Door 1 PC</p>	<p>Drawer Front Panel 2 PCS</p>
<p><b>K</b></p> 	<p><b>L</b></p> 	<p><b>M</b></p> 	<p><b>N</b></p> 	<p><b>O</b></p> 
<p>Drawer Left Panel 2 PCS</p>	<p>Drawer Right Panel 2 PCS</p>	<p>Drawer Back Panel 2 PCS</p>	<p>Drawer Bottom Panel 2 PCS</p>	<p>Back Rail 1 PC</p>
<p><b>P</b></p> 	<p><b>Q</b></p> 	<p><b>R</b></p> 		
<p>Front Rail 1 PC</p>	<p>Back Slat 1 PC</p>	<p>Hanging Bar 1 PC</p>		

# HARDWARE LIST

#1  Ø3*15mm Round Head Screw 4 PCS	#2  Ø3.5*15mm Short Screw 20 PCS (Extra 1)	#3  Ø3*30mm Screw 8 PCS (Extra 1)	#4  Ø5/32"*22mm Round Head Bolt 8 PCS (Extra 1)	#5  Ø1/4"*1-1/2" Bolt 2 PCS
#6  Ø1/4"*3" Long Bolt 4 PCS	#7  Ø1/4" Barrel Nut 4 PCS	#8  Ø8*30mm Wood Dowel 6 PCS	#9  Shelf Holder 8 PCS (Extra 1)	#10  Door Magnet 2 PCS
#11  149*28*10mm Handle 4 PCS	#12  Hinge 4 PCS	#13  Towel Bar 1 PC	#14  Locking Caster 2 PCS	#15  Caster 2 PCS
#16  4mm Allen Wrench 1 PC	#17  Wrench 1 PC			

## ADDITIONAL TOOLS (Not Provided)

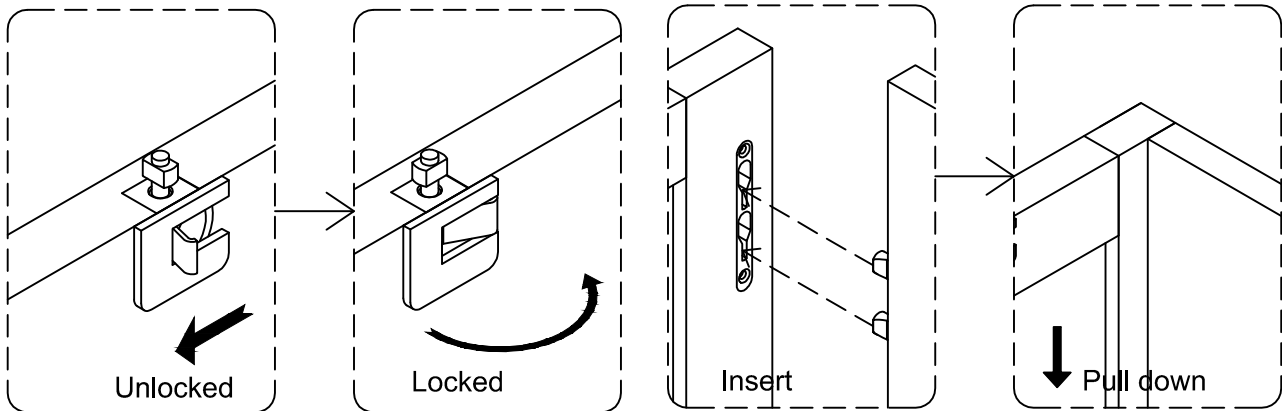
Note: It is not recommended to use power tools during assembly.



Phillips Head Screwdriver

Note: Wood dowels are intended for alignment. Additional clearance between wood dowel and pre-drilled hole is intentional for ease of assembly.

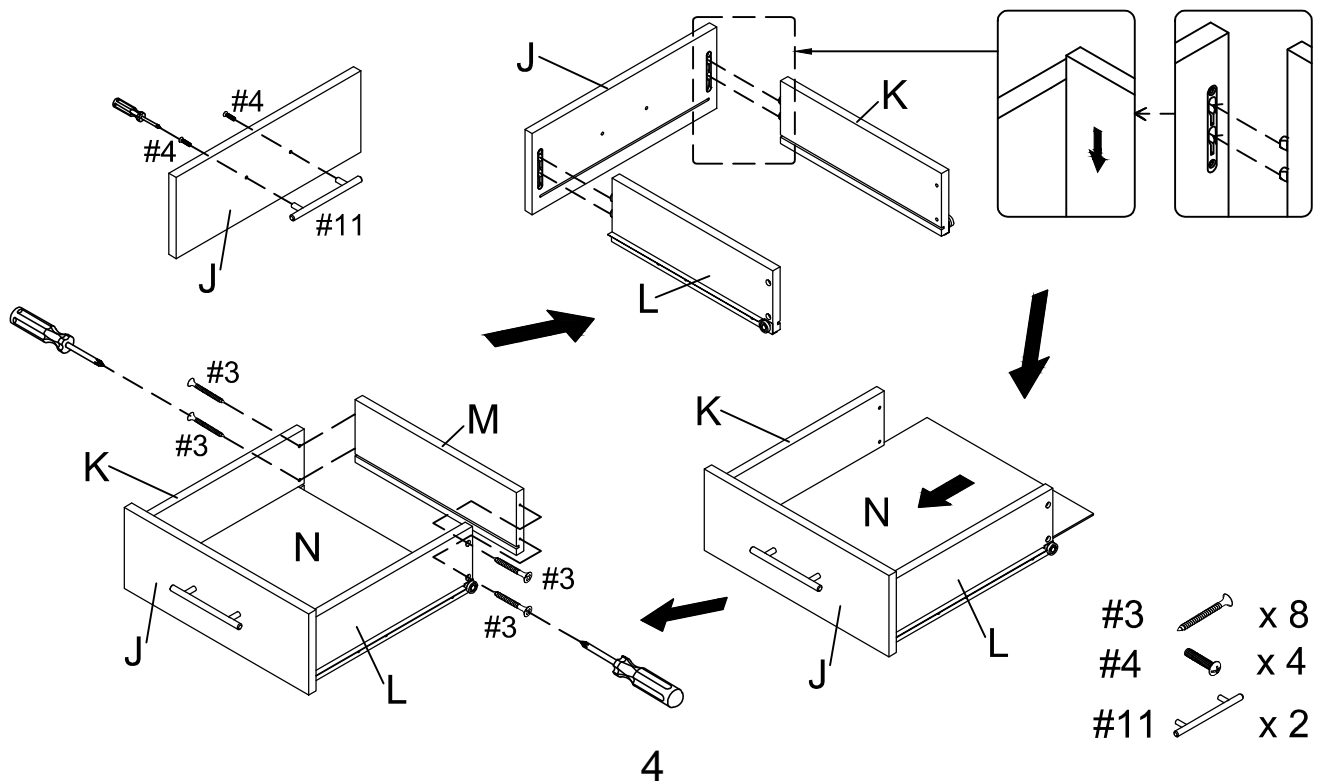
Please do not use tools to assemble this unit unless specifically indicated.



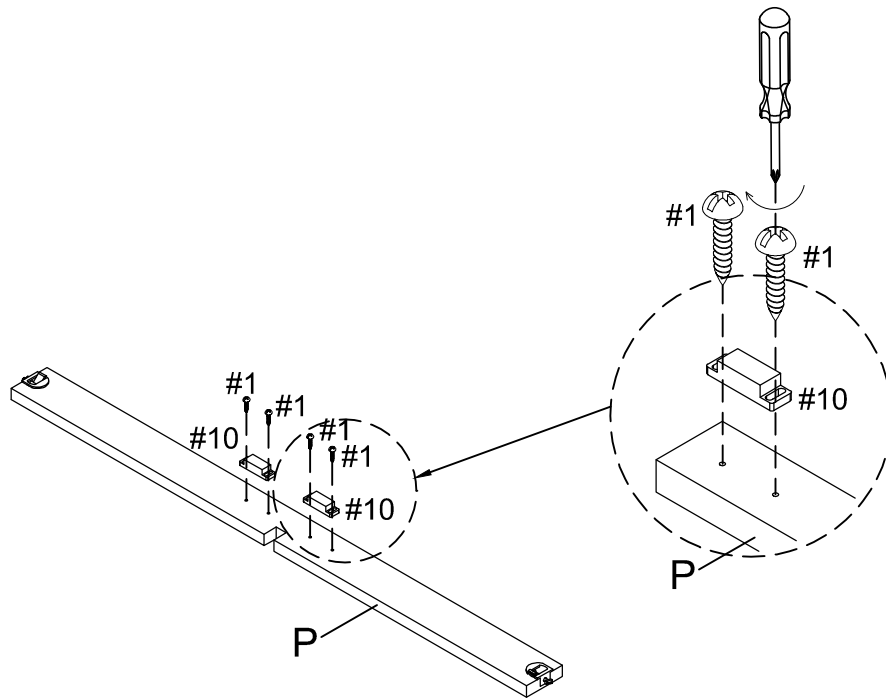
Reference the image above any time the instructions state "lock the hardware" or "insert hardware and pull down to lock".


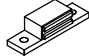
Be sure to check all hardware is locked when complete.

Step 1. Attach handle (part #11) to drawer front panel (part J) using round head bolts (part #4) and phillips head screwdriver. Insert drawer left panel (part K) and drawer right panel (part L) into drawer front panel (part J) pull down to lock. Slide drawer bottom panel (part N) into grooves of assembled unit (parts J, K & L). Attach drawer back panel (part M) to assembled unit (parts K, L & N) using screws (part #3) and phillips head screwdriver. Repeat for remaining drawer.

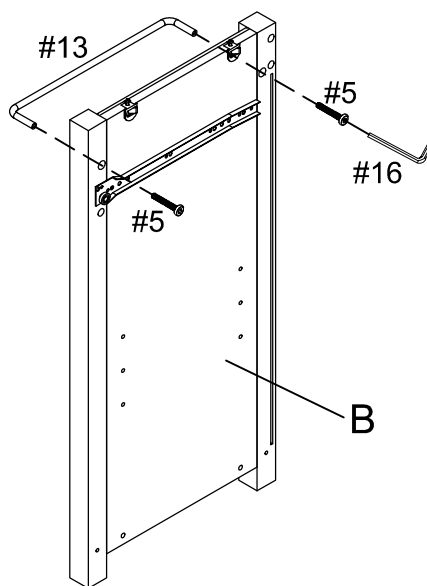



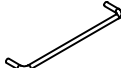

Step 2. Attach door magnets (part #10) to front rail (part P) using round head screws (part #1) and phillips head screwdriver.



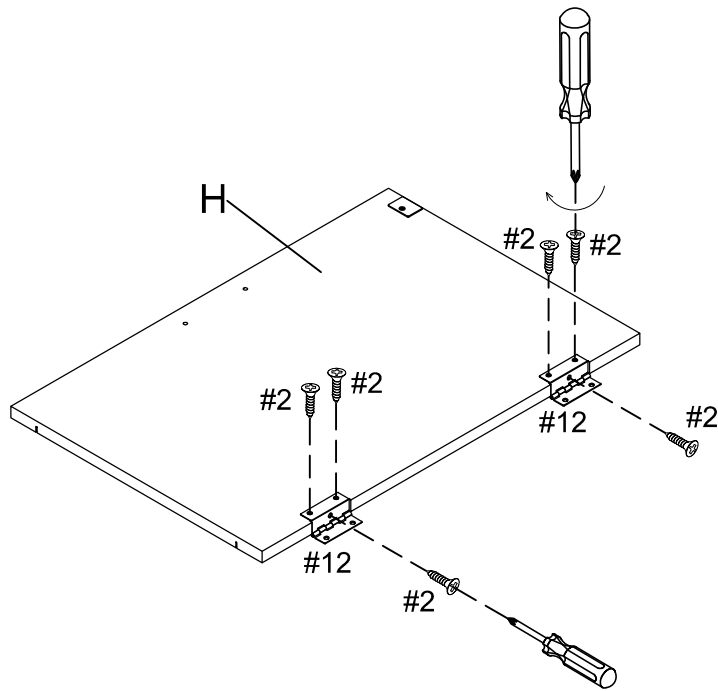
- #1  x 4
- #10  x 2



Step 3. Attach towel bar (part #13) to left frame (part B) using bolts (part #5) and allen wrench (part #16).



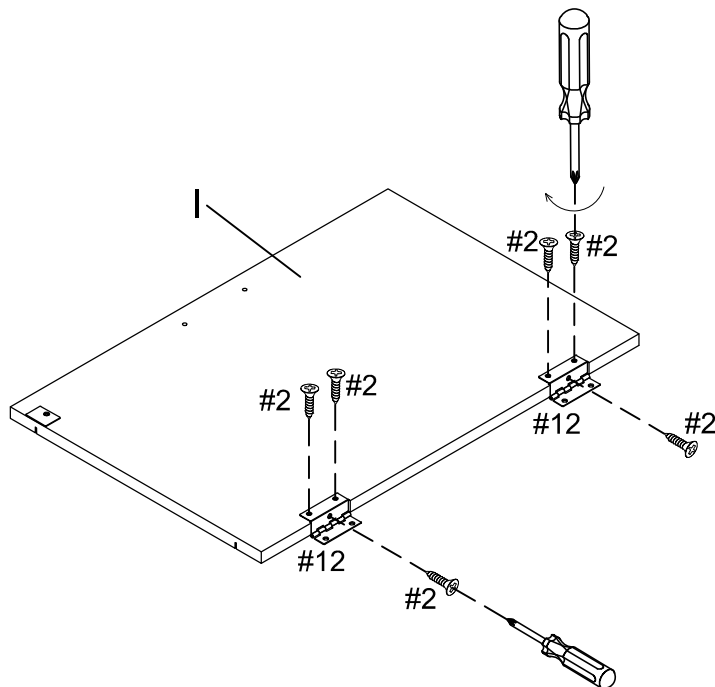
- #5  x 2
- #13  x 1
- #16  x 1



Step 4. Attach hinges (part #12) to left door (part H) using short screws (part #2) and phillips head screwdriver.



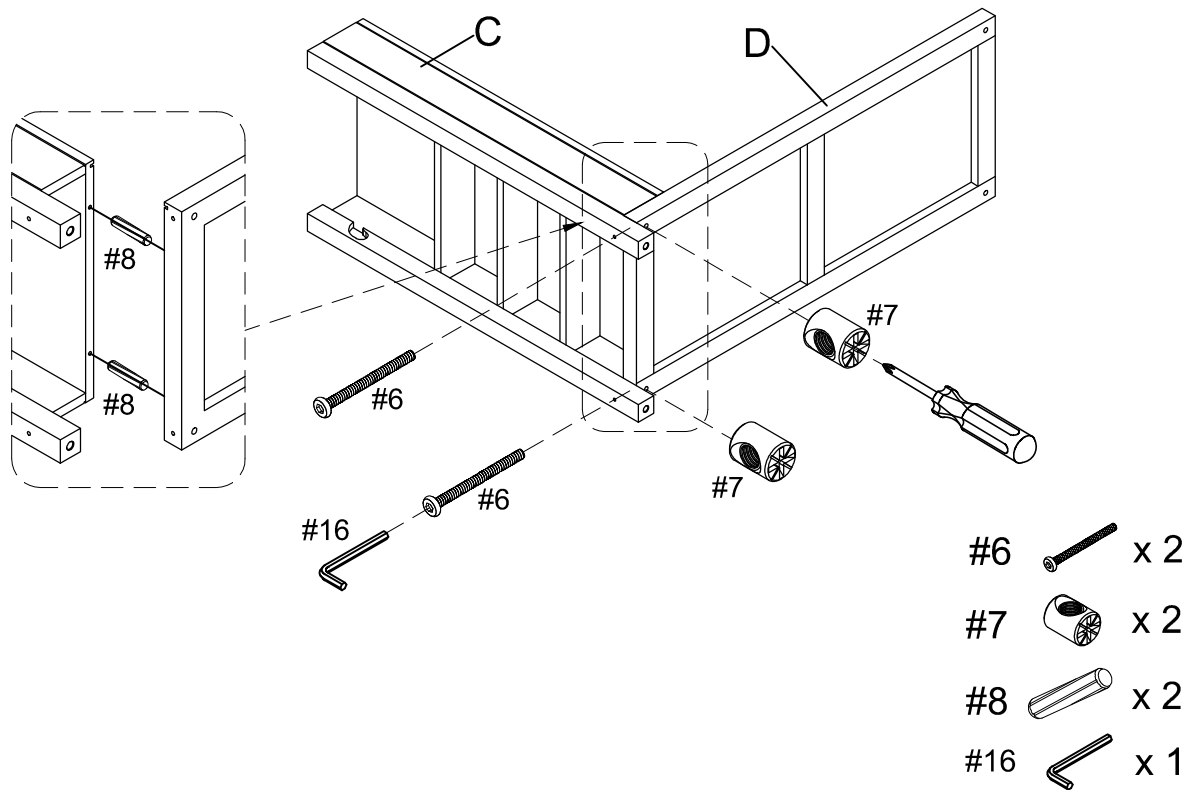
#2  x 6  
#12  x 2

Step 5. Attach hinges (part #12) to right door (part I) using short screws (part #2) and phillips head screwdriver.

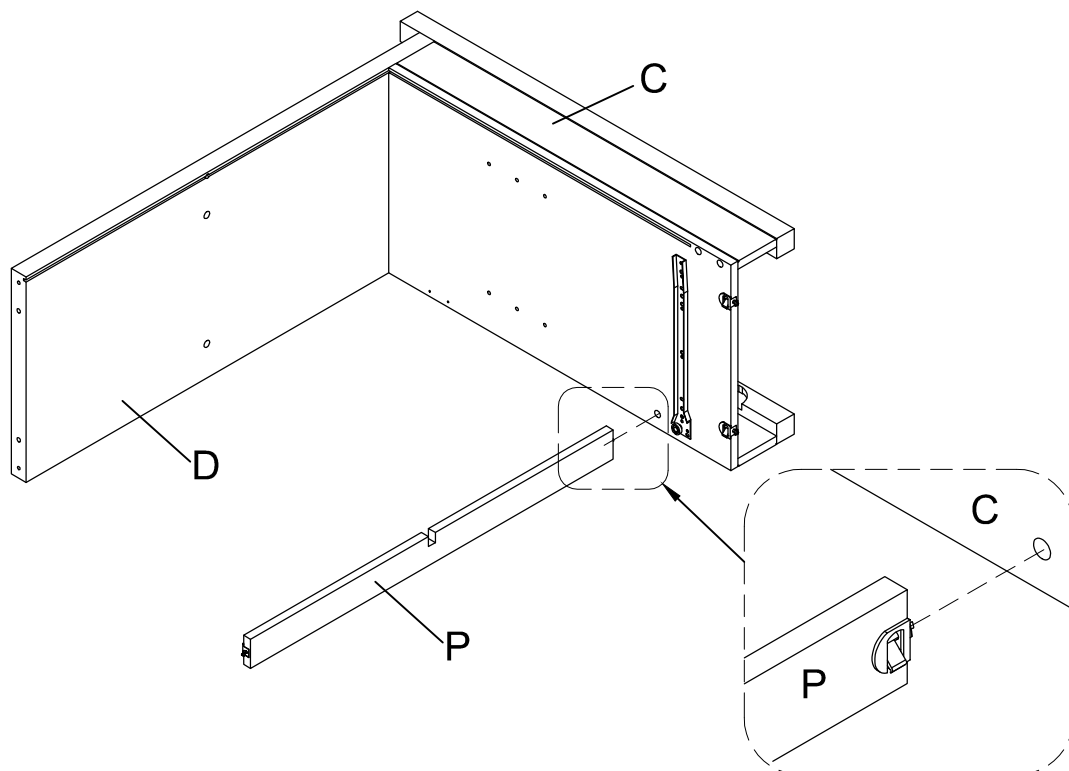


#2  x 6  
#12  x 2

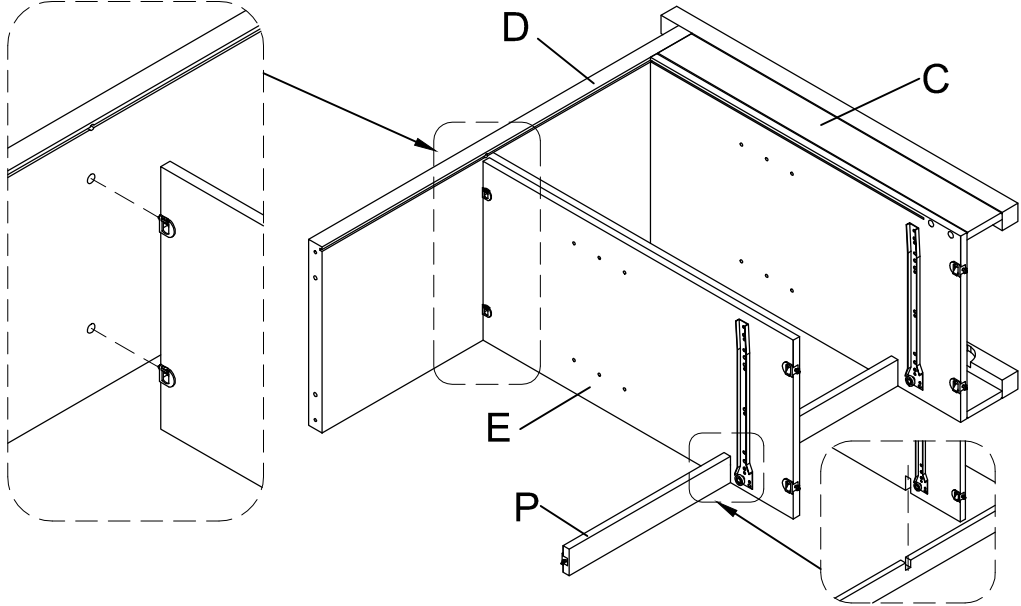
Step 6. Attach right frame (part C) to bottom panel (part D) using wood dowels (part #8), long bolts (part #6), barrel nuts (part #7), allen wrench (part #16) and phillips head screwdriver.



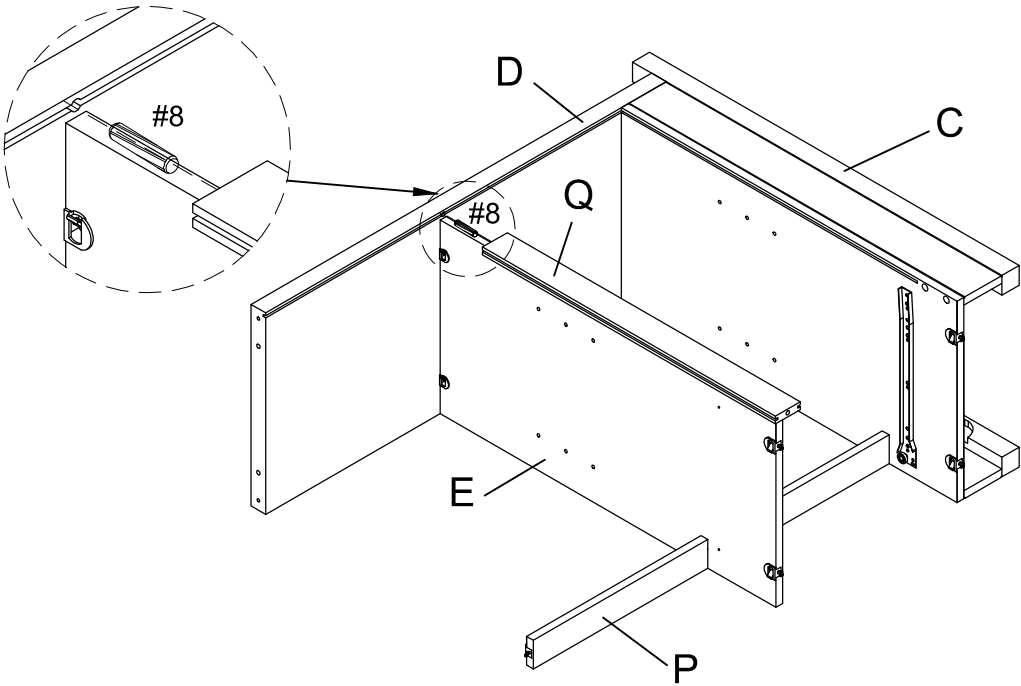
Step 7. Attach front rail (part P) to right frame (part C) and lock the hardware.



Step 8. Insert partition panel (part E) to assembled unit (parts D & P) and lock the hardware.

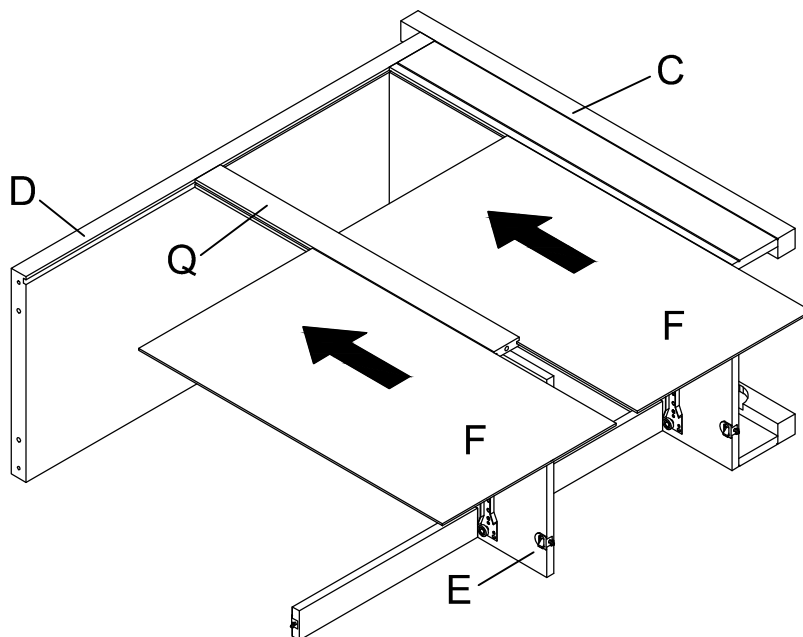


Step 9. Attach back slat (part Q) to bottom panel (part D) using wood dowel (part #8).

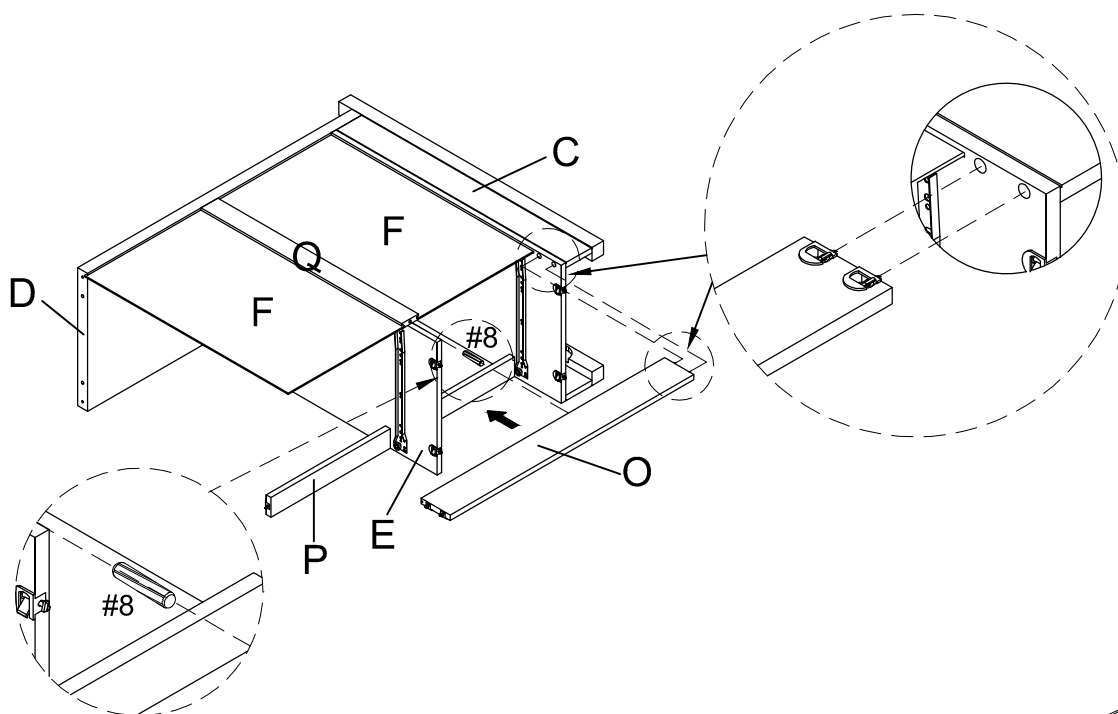


#8  x 1

Step 10. Slide back panels (part F) into grooves of assembled unit (parts C, D & Q).

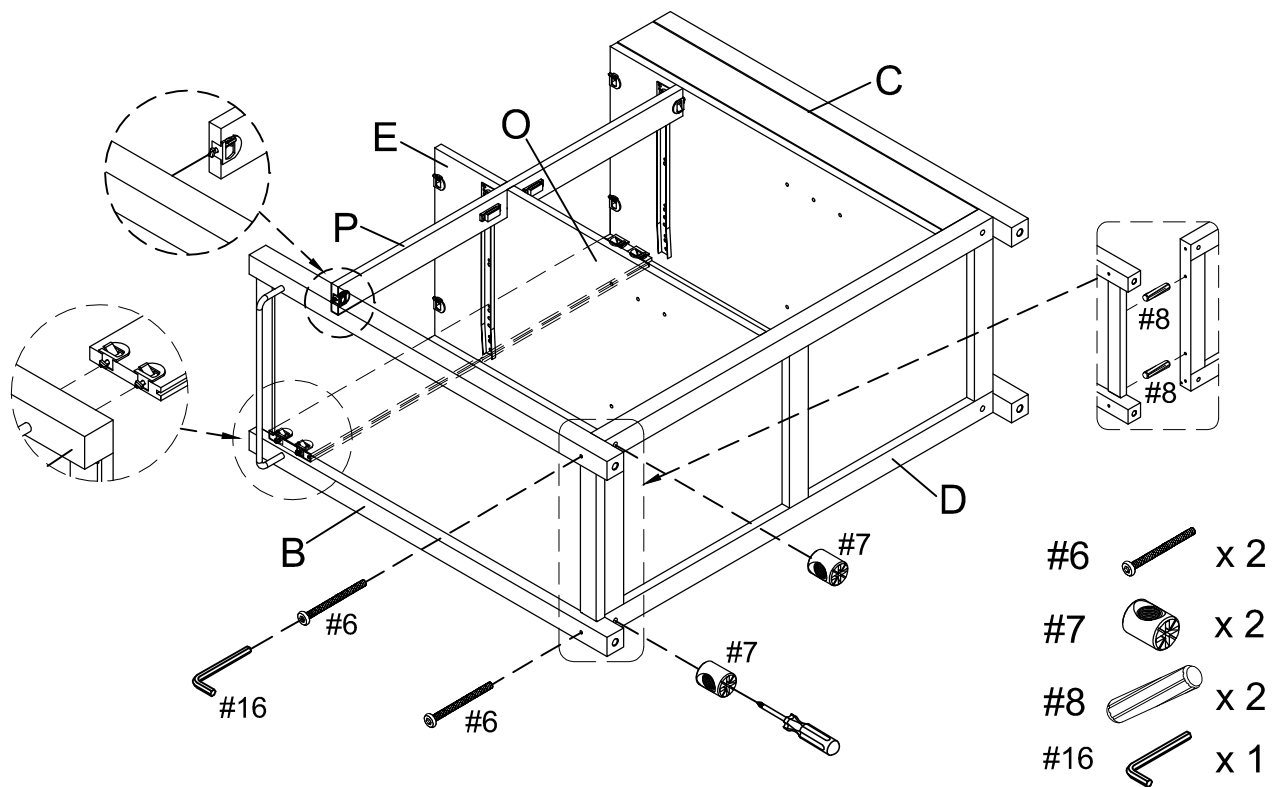


Step 11. Attach back rail (part O) to assembled unit (parts C & Q) using wood dowel (part #8) and lock the hardware.

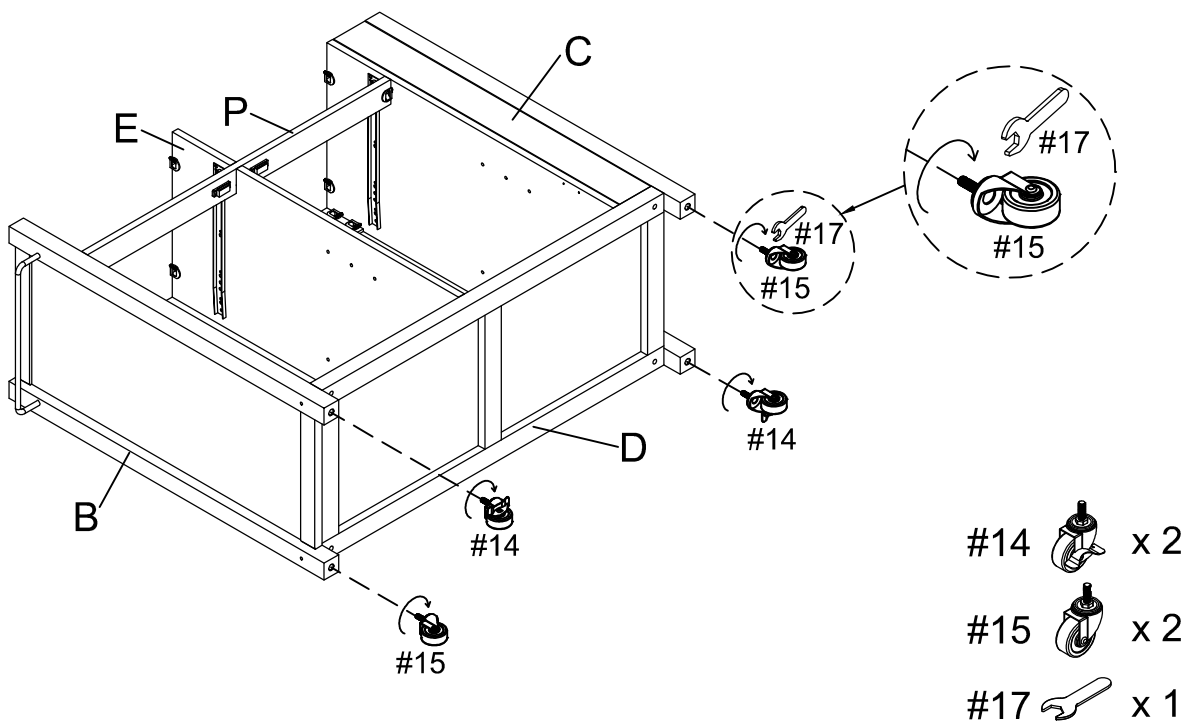


#8  x 1

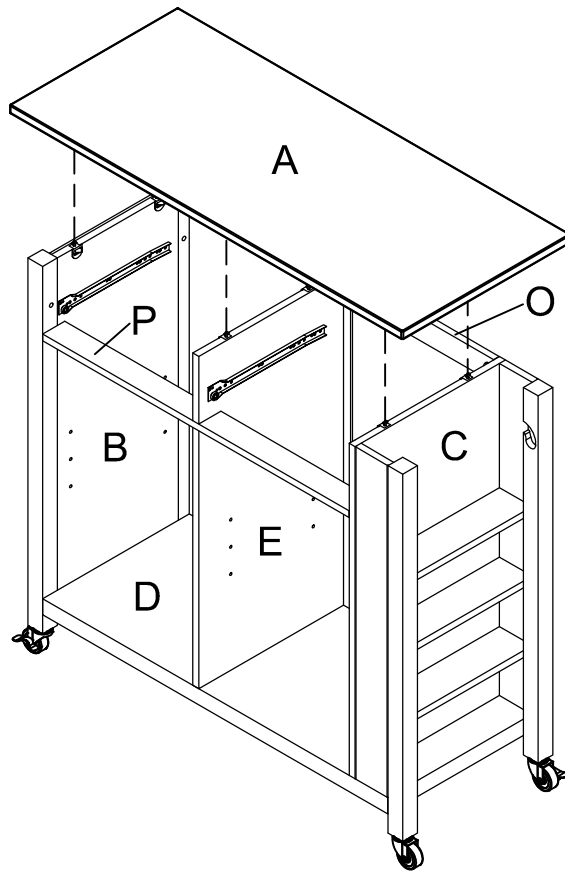
Step 12. Attach left frame (part B) to assembled unit (parts D, O & P) using wood dowels (part #8), long bolts (part #6), barrel nuts (part #7), allen wrench (part #16), phillips head screwdriver and lock the hardware.



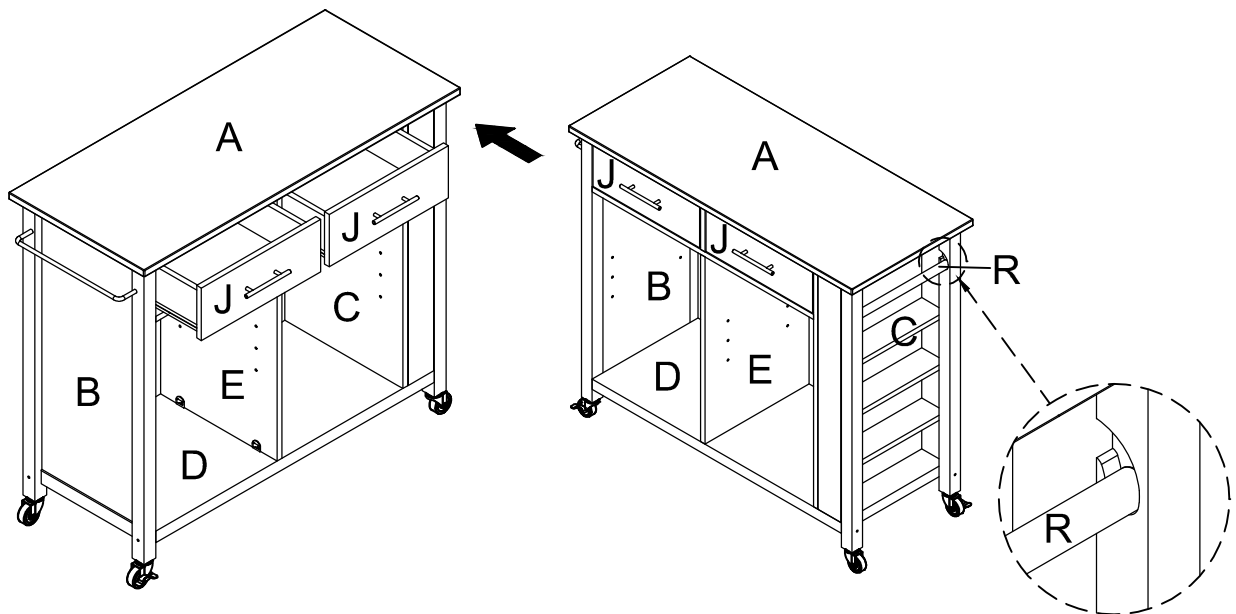
Step 13. Attach locking casters (part #14) and casters (part #15) to frames (parts B & C) using wrench (part #17).



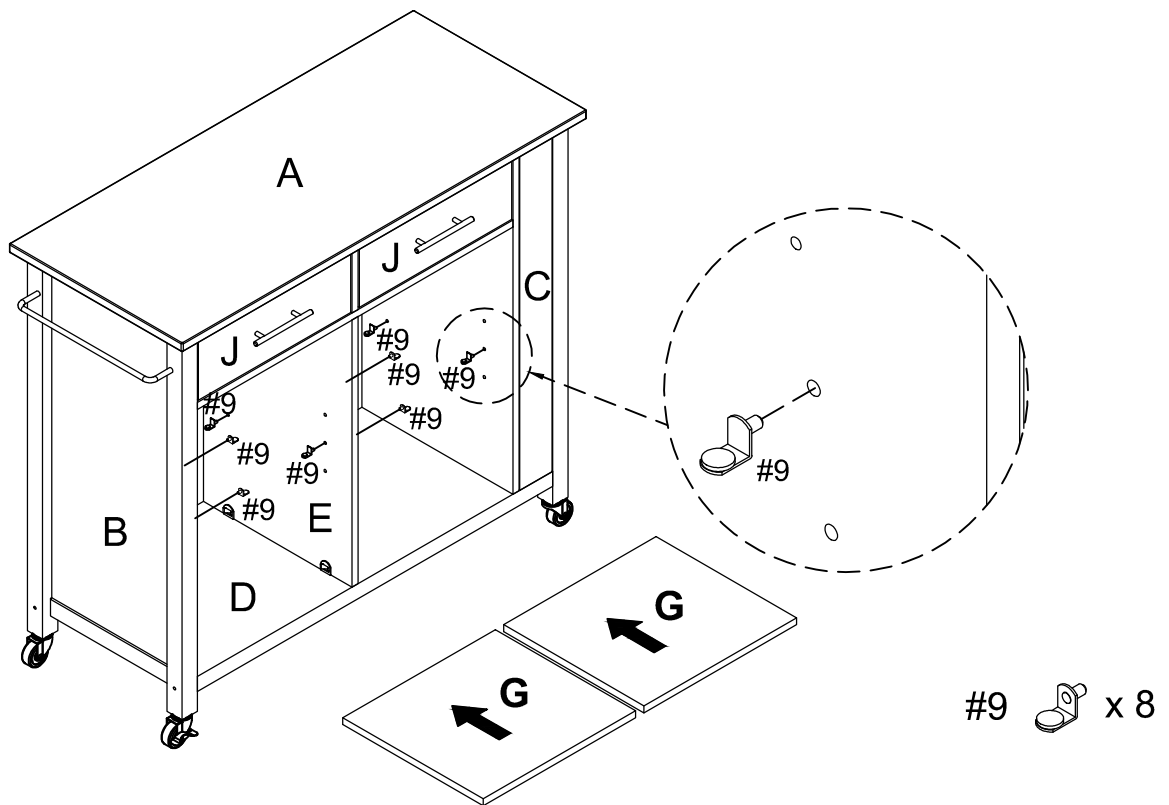
Step 14. Carefully turn unit upright. Attach top panel (part A) to assembled unit (parts B, C & E) and lock the hardware.



Step 15. Slide assembled drawers into place. Put hanging bar (part R) into notch of right frame (part C).



Step 16. Place shelf holders (part #9) into desired position and then slide adjustable shelves (part G) into place.



Step 17. Attach doors (parts H & I) to frames (parts B & C) using short screws (part #2) and phillips head screwdriver. Attach handles (part #11) to doors (parts H & I) using round head bolts (part #4) and phillips head screwdriver.

