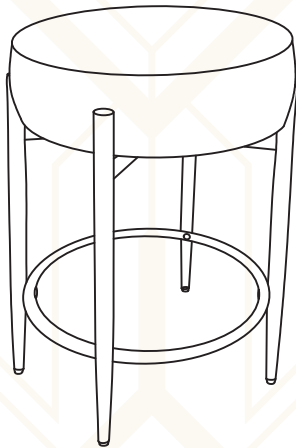


BAR STOOLS





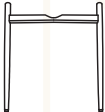
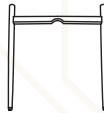



Thanks for choosing our products.

When using the product, basic safety precautions should be always followed to reduce the risk of injury, including the following:

1. This product must be assembled by an adult.
2. Keep children and pets away while assembling the product.
3. Remove all the packing materials and review all components before assembly. If the item is defective, damaged or lack of components, please send clear photos and contact our after-sales mailbox immediately. Thank you.
4. Do not over-tighten the screws.

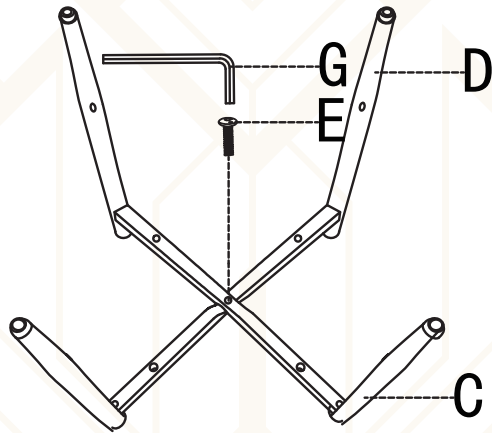
5. To avoid scratching the floor, assemble the product on a soft surface, such as a carpet.
6. Do not use this product if any parts are missing, damaged, or worn.
7. Always use the product on a firm level ground.
8. Do not let the children climb on or play with the product.
9. Do not stand on the seat.
10. Keep all sharp objects away from the upholstery.
11. Regularly examine the product for wear and tear.
12. Stop using the product at the first sign of damage or if the parts detached.

DISPLAY AND LABEL OF PARTS FOR 1 CHAIR

Ax1	Bx1	Cx1
		
Dx1	Ex5	Fx4
	 M6x30mm	 M6x45mm
Gx1		
		

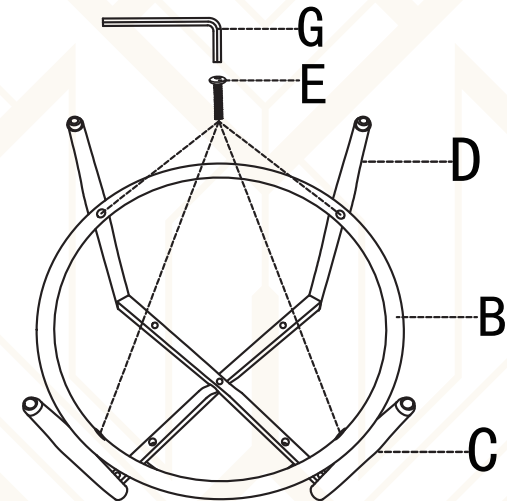
Tip: There is 1 screw pack for 2PCS bar stools
There are 2 screw packs for 4PCS bar stools

STEP 1



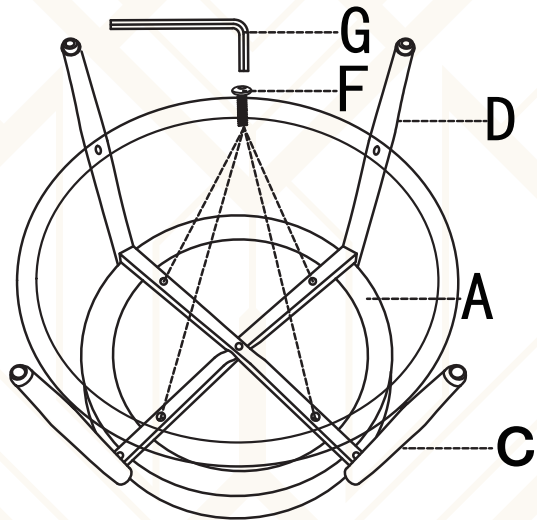
Place (C) on (D) as displayed, then twist screw (E) to connect them.
Only twist (E) into halfway in this step.

STEP 2



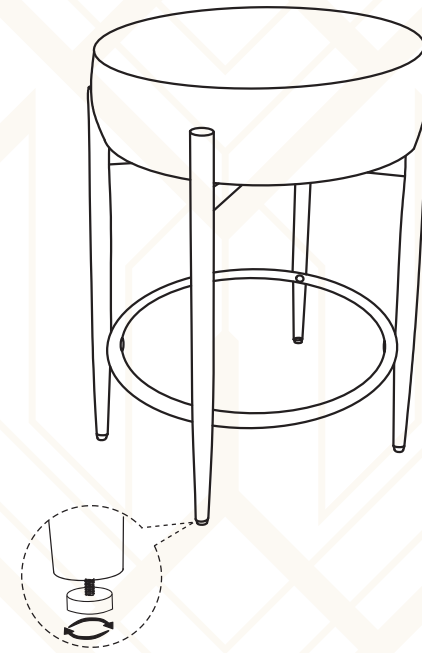
Place (B) on (C) and (D) as displayed, then twist screw (E) to connect them.
Only twist (E) into halfway in this step.

STEP 3



Twist Screw (F) to connect the (A) with (C) and (D).
Tighten all the screws completely.

STEP 4



If you feel that the chair is leaning to one side due to an uneven ground, rotate the foot pads to adjust it.