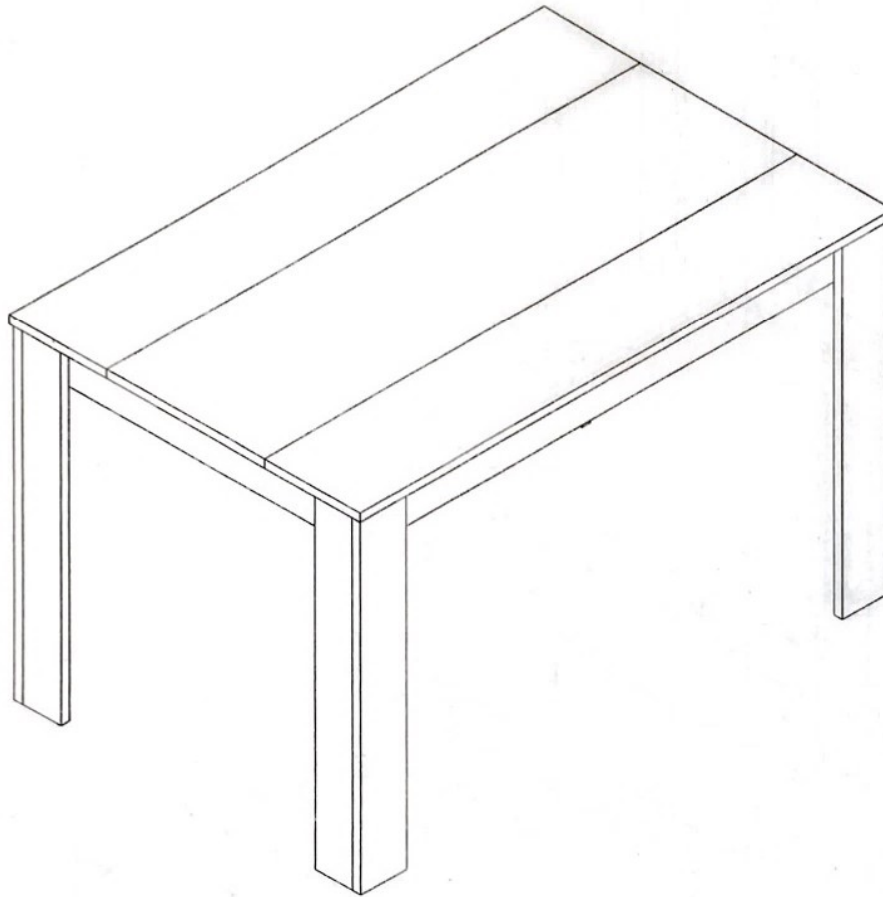









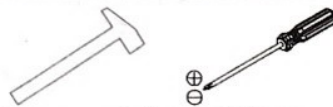


# Assembly Instruction



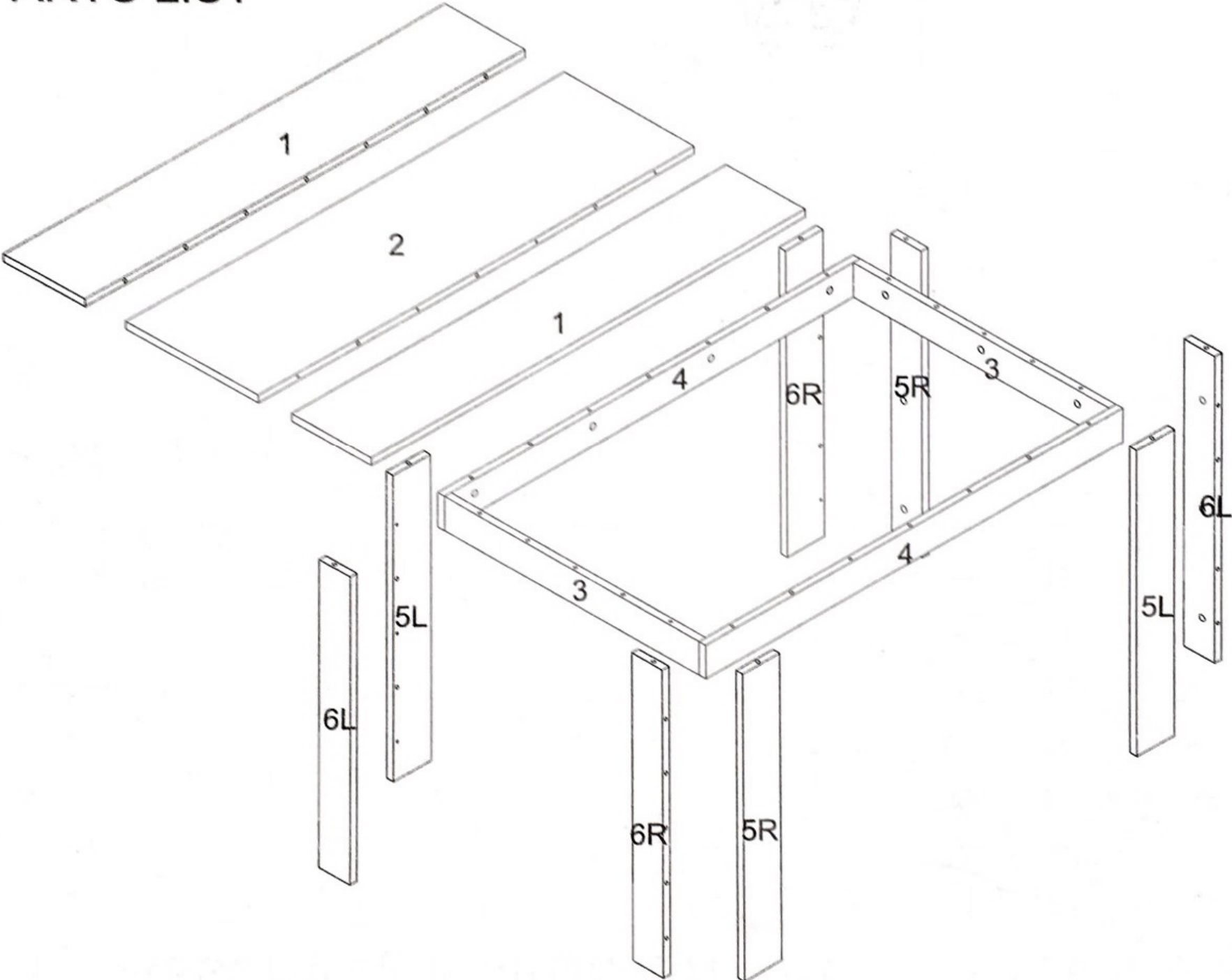
NO.	QTY.	LINEDRAWING
(A)	34	
(B)	34	
(C)	32	8x40 
(D)	24	3.5x30 
(E)	16	25x6 
(F)	16	3.5x15 
(G)	8	
(H)	12	
(I)	8	



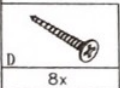
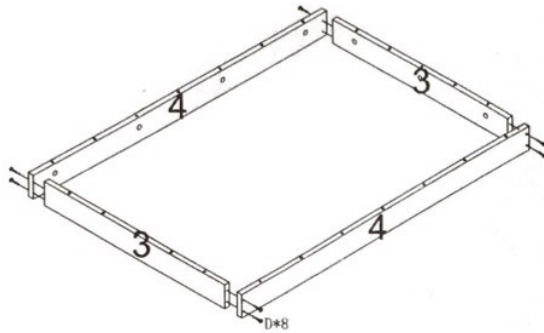
Hammer and Screwdriver  
are not included !!



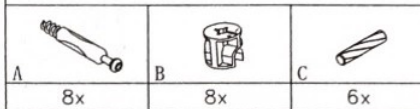
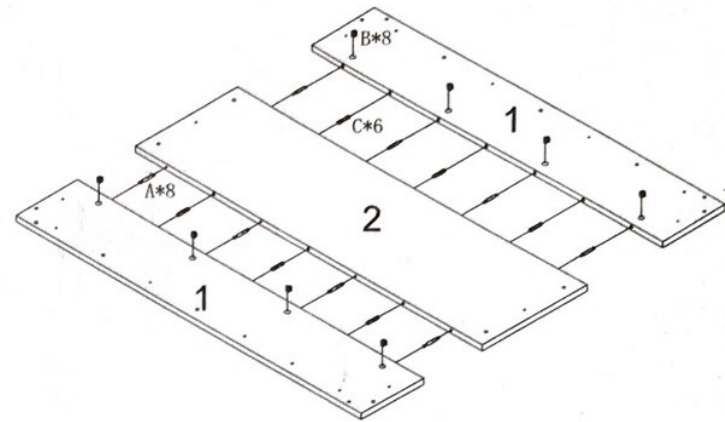
# PARTS LIST



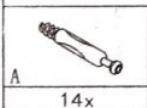
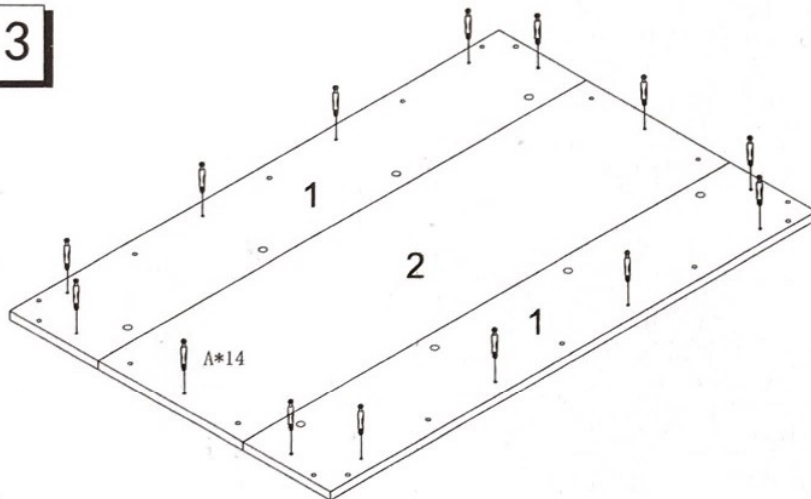
1



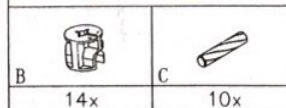
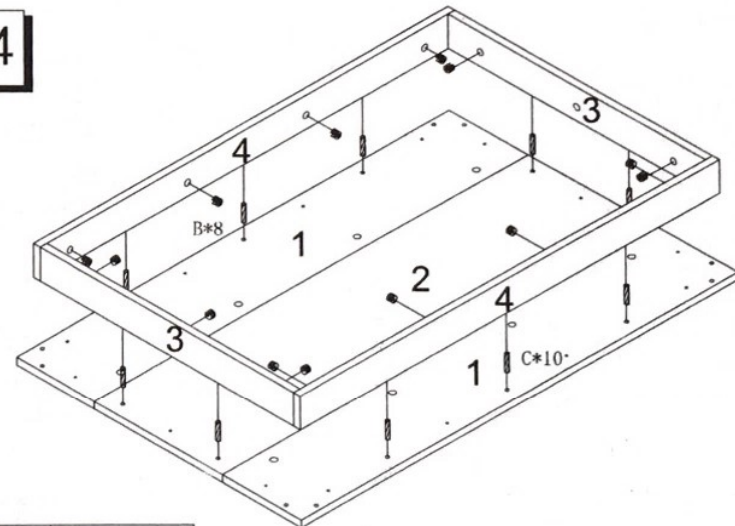
2



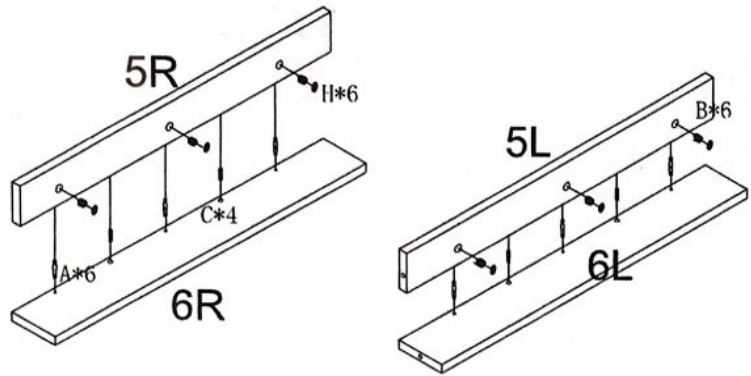
3







4



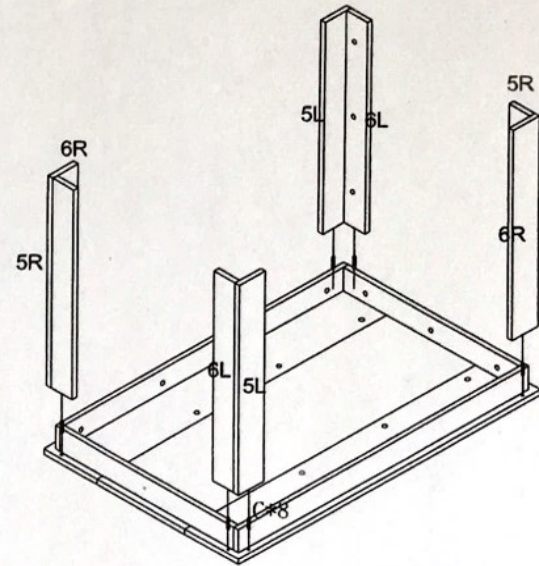
5




X2

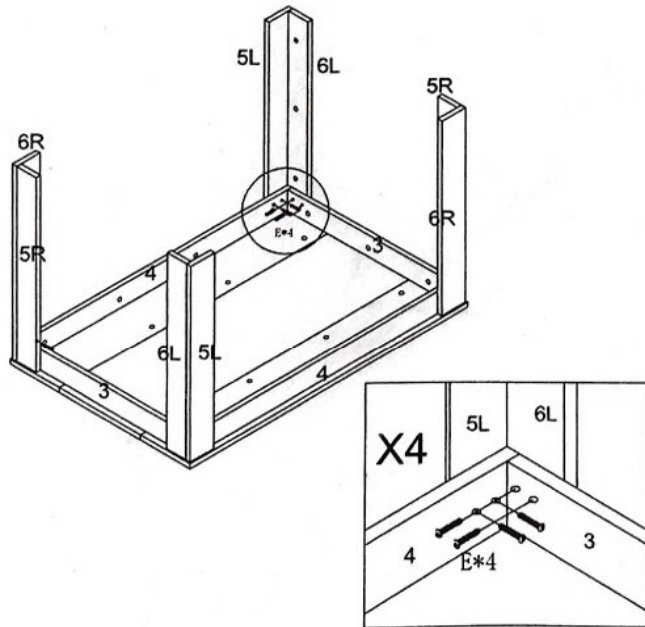
A 	B 	C 	H 
6x	6x	4x	6x


6



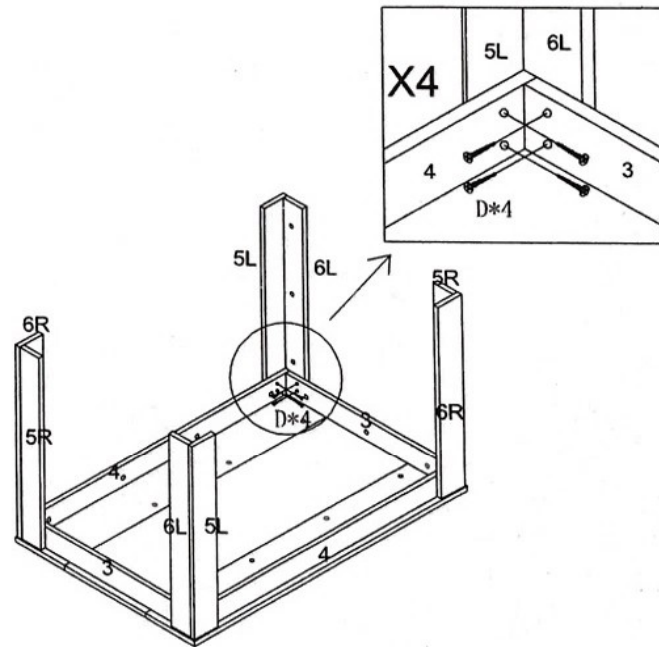
C 
8x


7



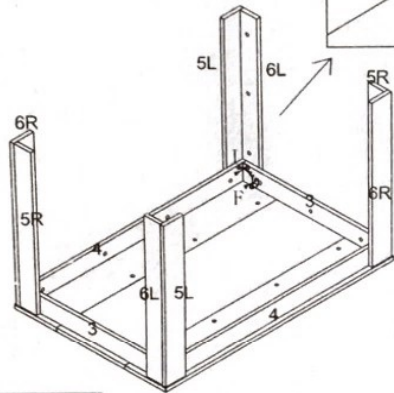
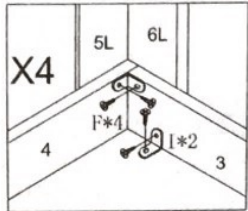
E 
16x

8



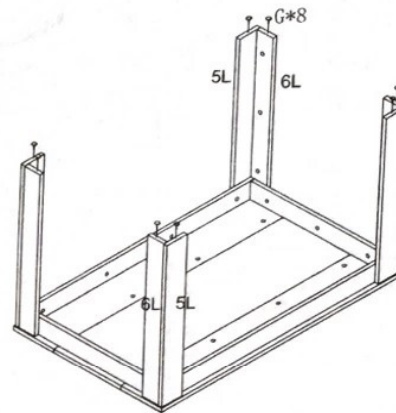
D 
16x

9



8x	16x

10



G 8x

