
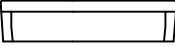
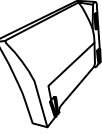
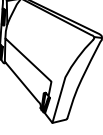




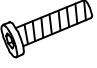





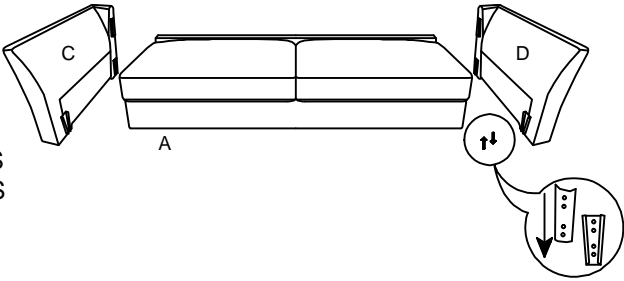
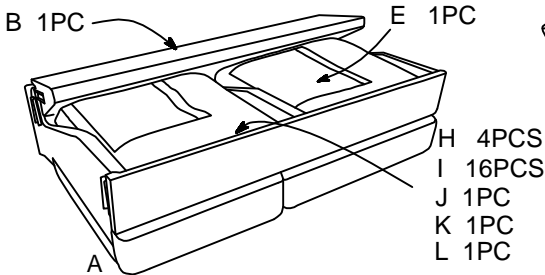
Assembly Instruction

60624

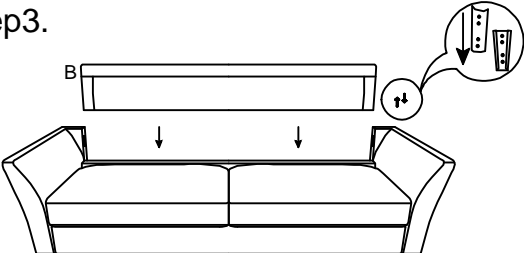
Parts List			
A  1PC	B  1PC	C  1PC	D  1PC
E  1PC	F  1PC	G  2PCS	H  4PCS
I  16PCS	J  1PC	K  1PC	L  1PC

Step1. Back Cushion (E/F) , Pillows(G), Backrest (B) , Legs (H) And Hardware(H/I/J/K) Under The Seat.

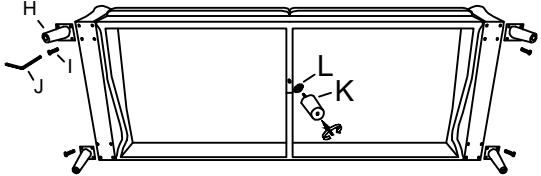
Step2.



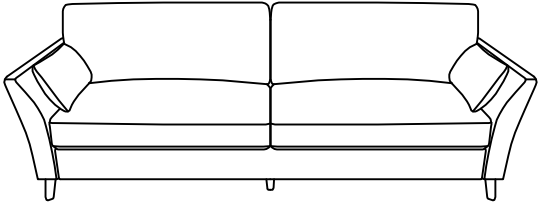
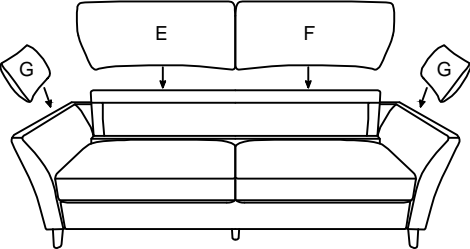
Step3.



Step4.


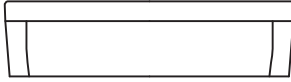
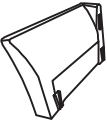
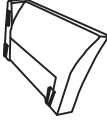



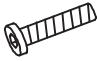



Step5.



Assembly Instruction

60623

Parts List				
A			B	
1PC		1PC		
C		D		
1PC	1PC	E		
1PC		1PC		
G		H		
2PCS	4PCS	I		
2PCS		16PCS		
		J		
		1PC		

Back Cushion (E/F) Pillows(G) Backrest (B)
Legs.(H) And Hardware(I/J) Under The
Seat.

