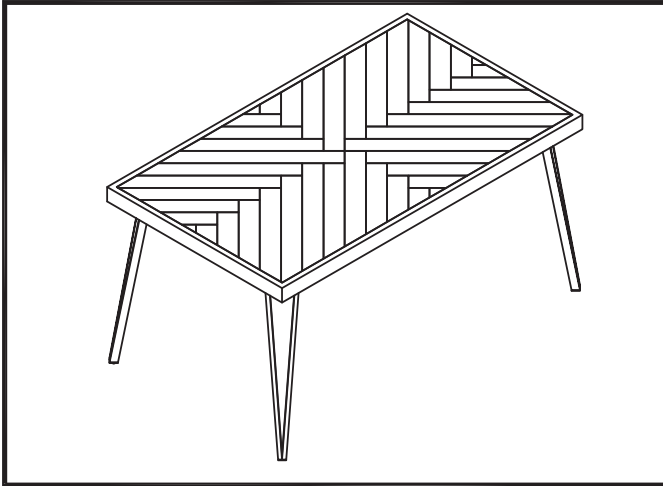






ASSEMBLY INSTRUCTION

DESCRIPTION Rect. Leg Table



Thank you for purchasing this quality product. Be sure to check all packing material carefully for small parts which may have come loose inside the carton during shipment. Identify and count all parts and compare with the parts list below:



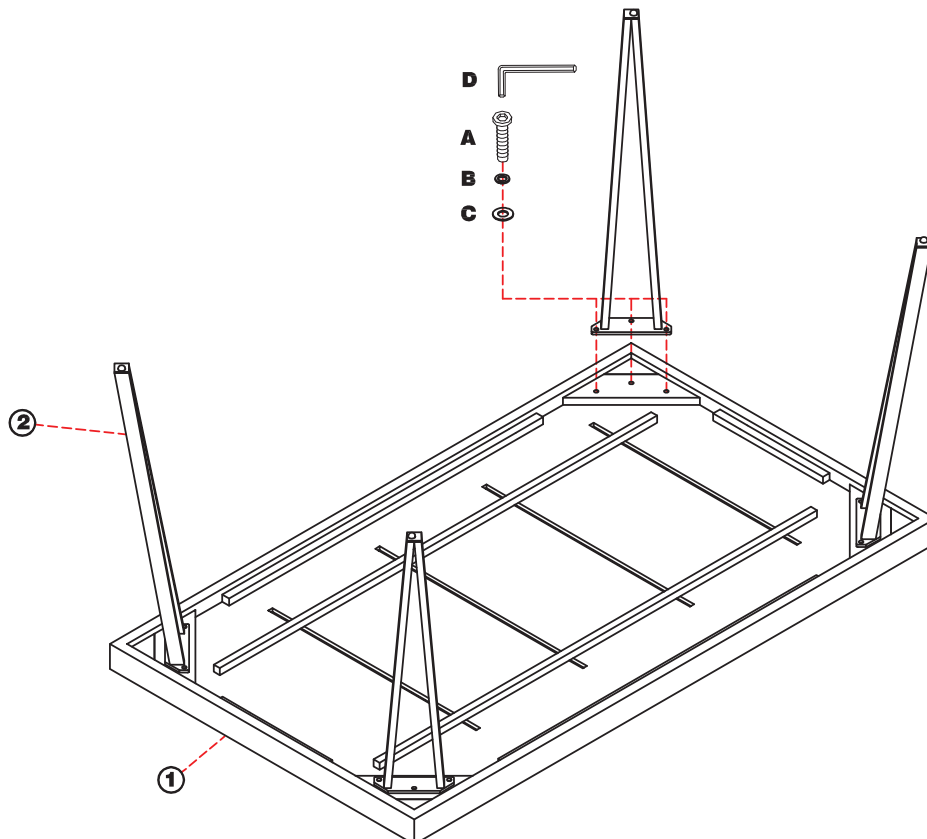
HARDWARE LIST

NO.	SKETCH	HARDWARE	QTY
A		Bolt 5/16" x 3/4"	12 pcs
B		Spring Washer	12 pcs
C		Flat Washer(1.5mm)	12 pcs
D		Allen Wrench 5mm	1 pc

PARTS LIST

NO.	SKETCH	PART	QTY
①		Top	1 pc
②		Leg	4 pcs

STEP 1



NOTE: DO NOT TIGHTEN ALL THE BOLTS UNTIL THEY ARE INSTALLED IN CORRESPONDING HOLES!