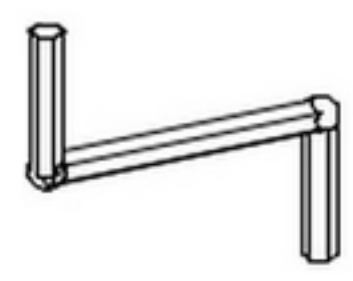
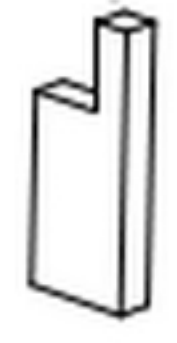



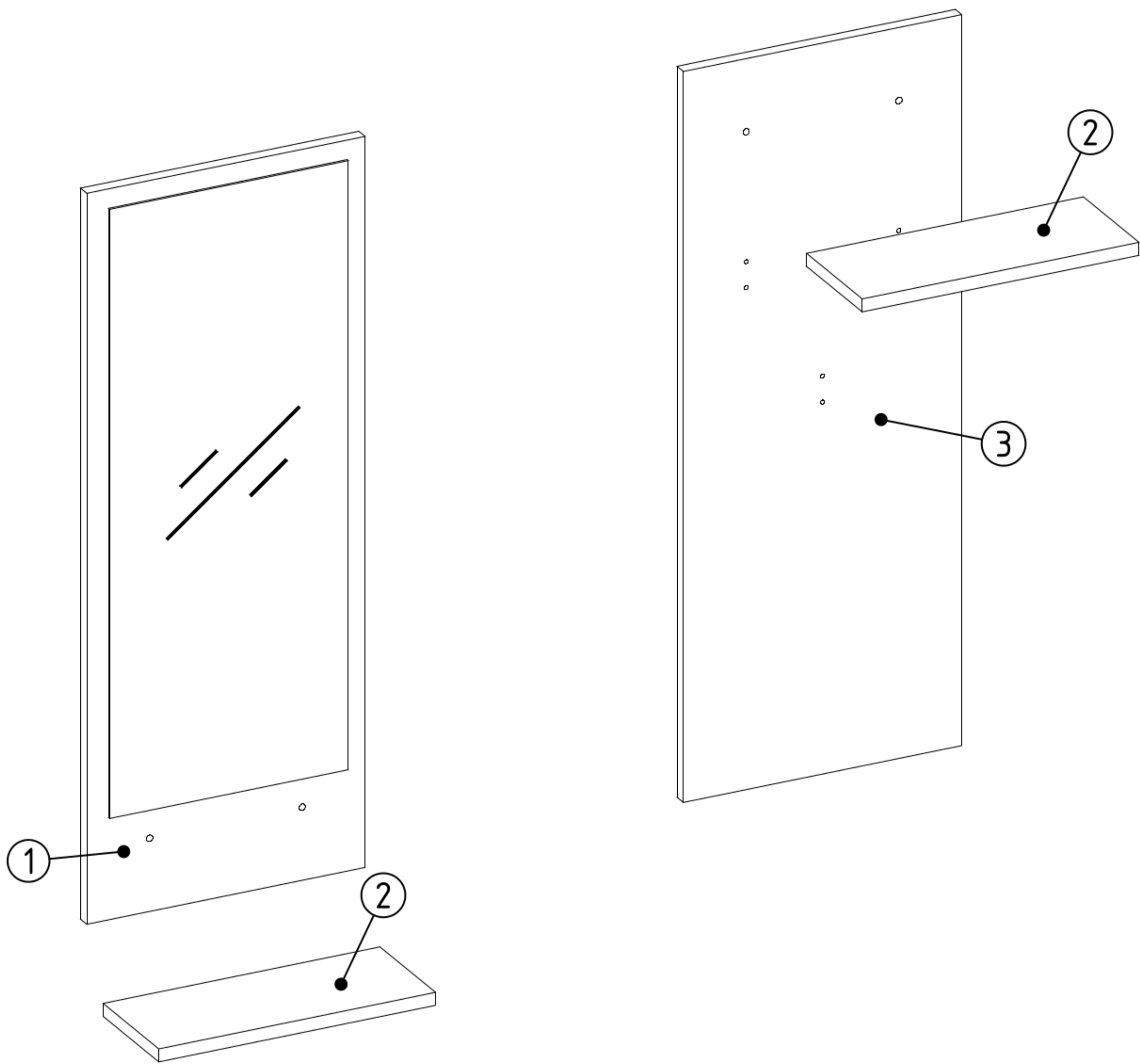

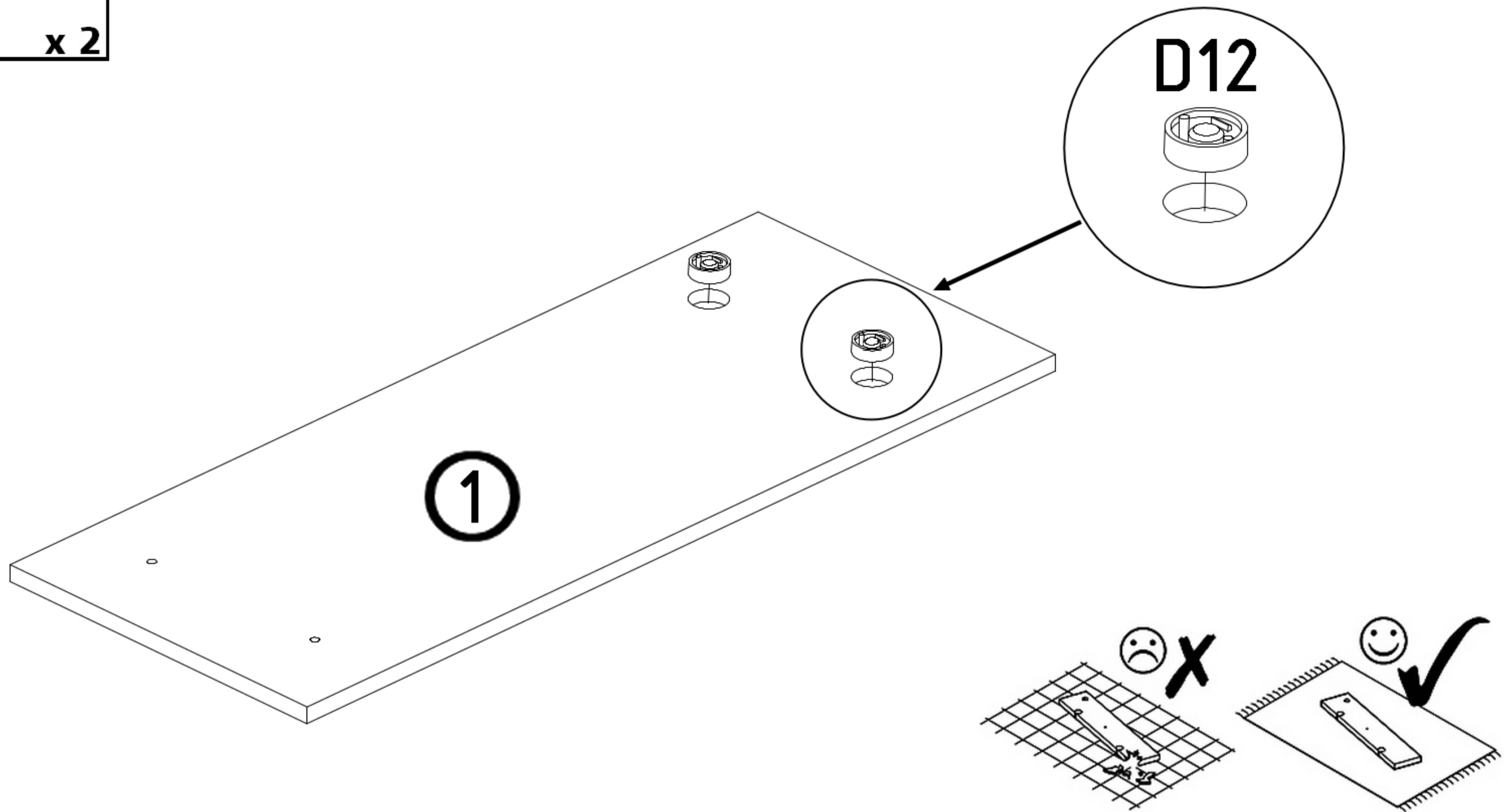


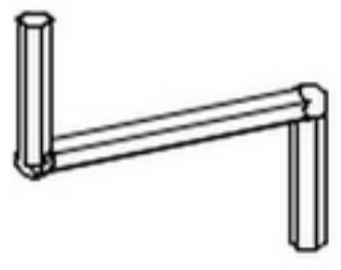
K1  x 1	L7  x 3 L=75mm	D12  x 4 ϕ 34mm	F3  x 4 7x50mm	S4  x 6 4x28mm
---	---	---	--	---




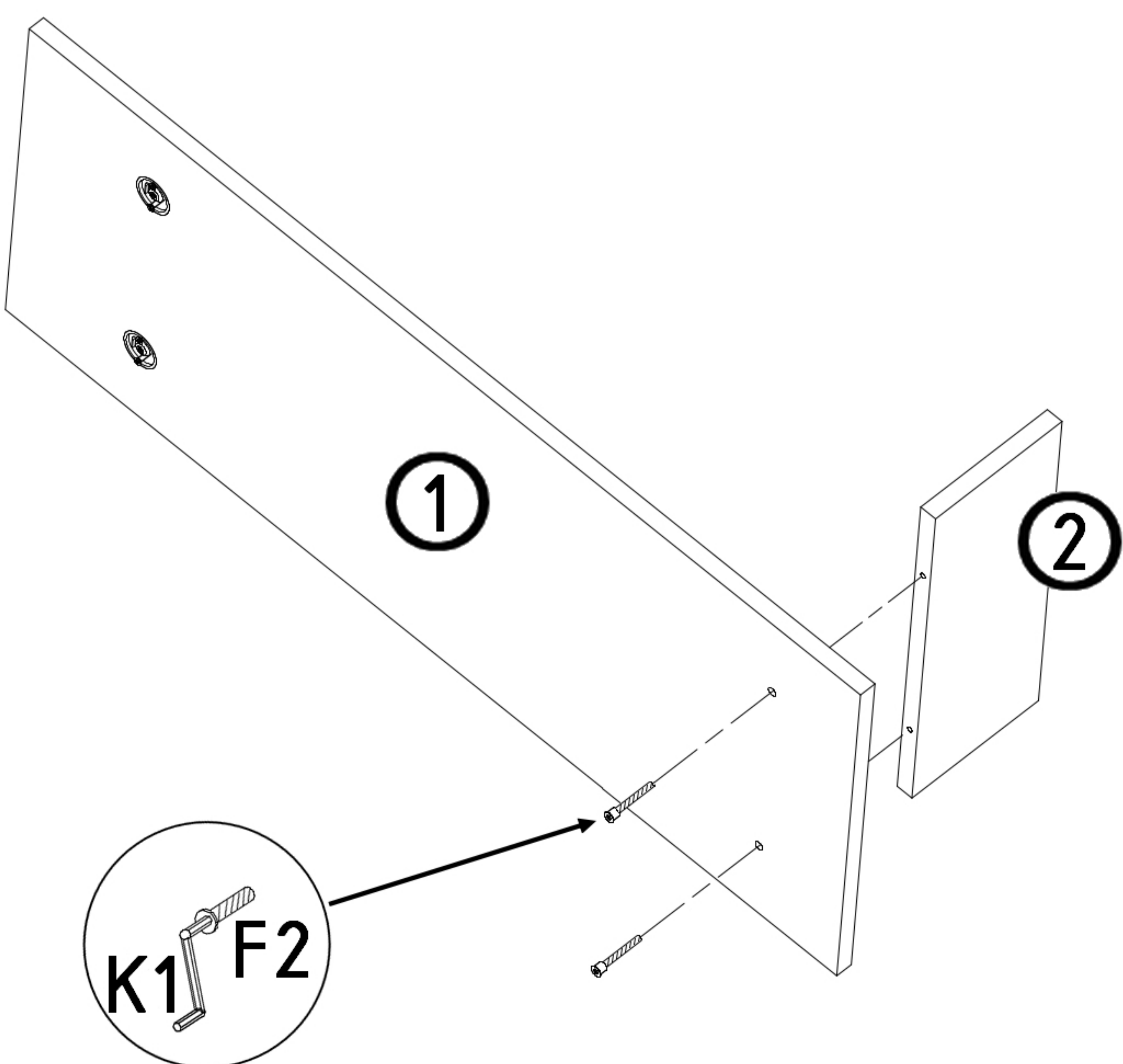
1	x 1
2	x 2
3	x 1

D12

x 2




K1

x 1

F3

x 2

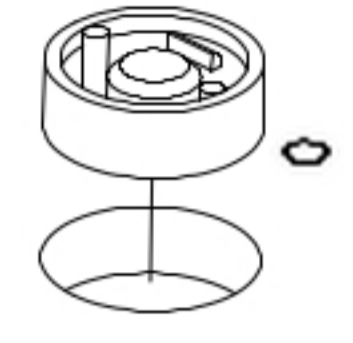
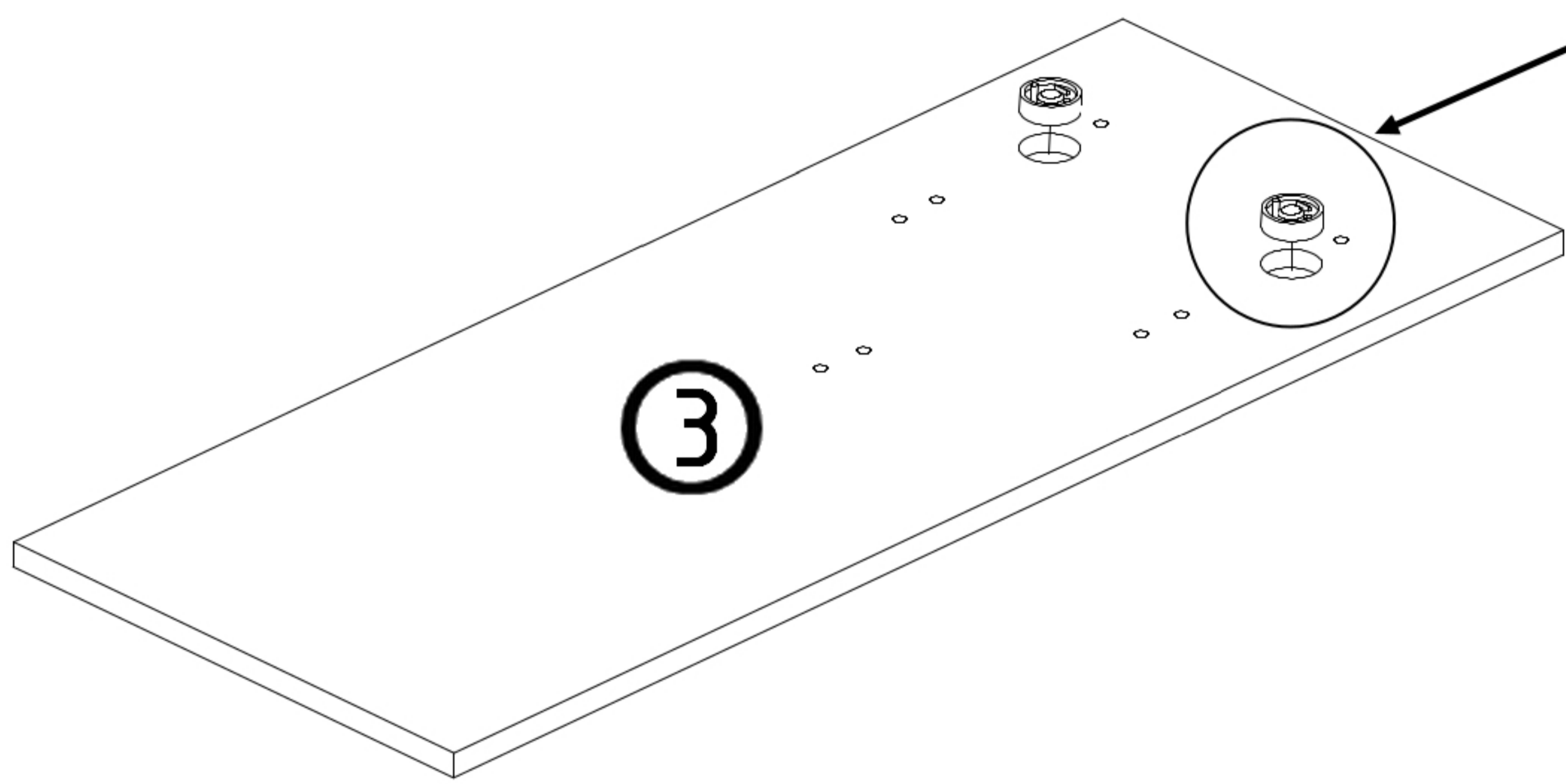


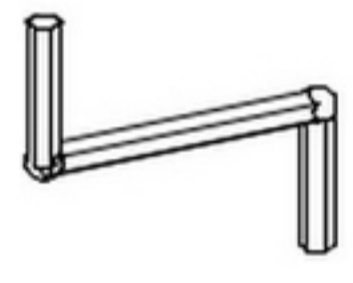



D12



x 2

D12

<p>K1</p>  <p>x 1</p>	<p>F3</p>  <p>x 2</p>	<p>L7</p>  <p>x 3</p>	<p>S4</p>  <p>x 6</p>
---	--	--	--

