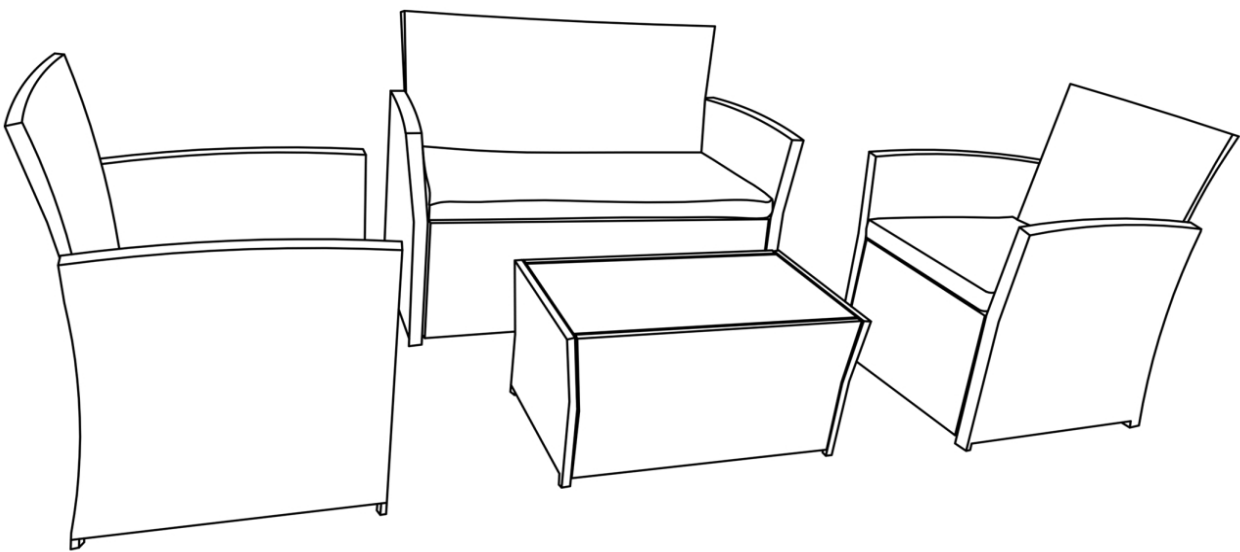


Rattan Sofa Instruction

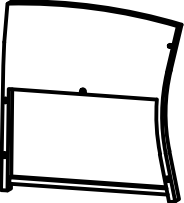
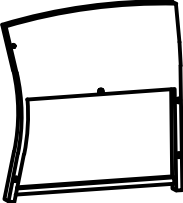
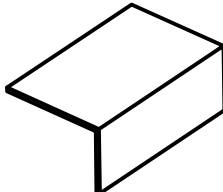
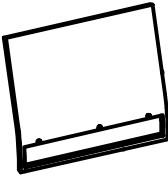







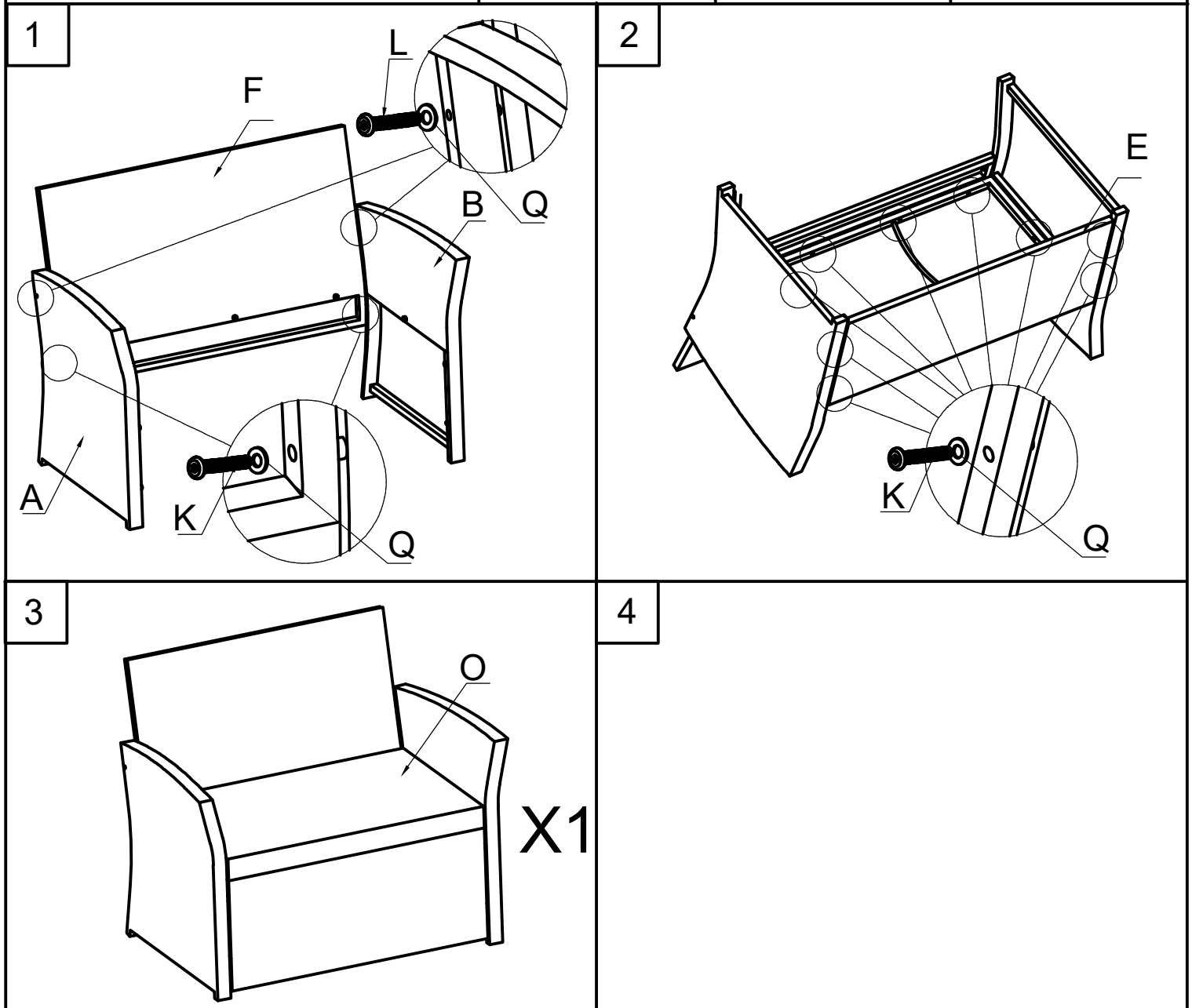
NOTE:

[Most important !!!] See the video first! It will save you one hour.

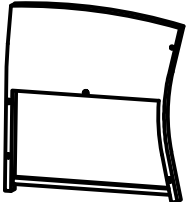
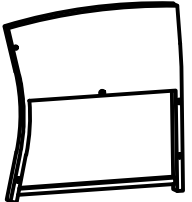
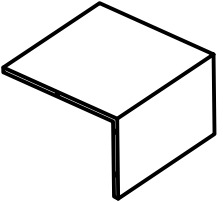
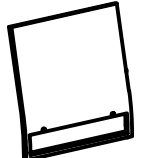




1. Please DO NOT fix screws tightly before all screws and holes connected.
2. Keeping all screws half-tightened will make assembling easier .
3. Please email us with pictures if you need any help during assembling.
4. Don't expose the cushions in the sun for a long period of time and cover the set or put cushions indoor when there is rain or snow expected for long periods of time.
5. Please don't discard packing boxes before all cushion chairs are assembled without first making sure there are no issues with assembly or parts. We will ask for the SKU# on boxes if there are any issues reported so please keep that information and have it available. Thank you!

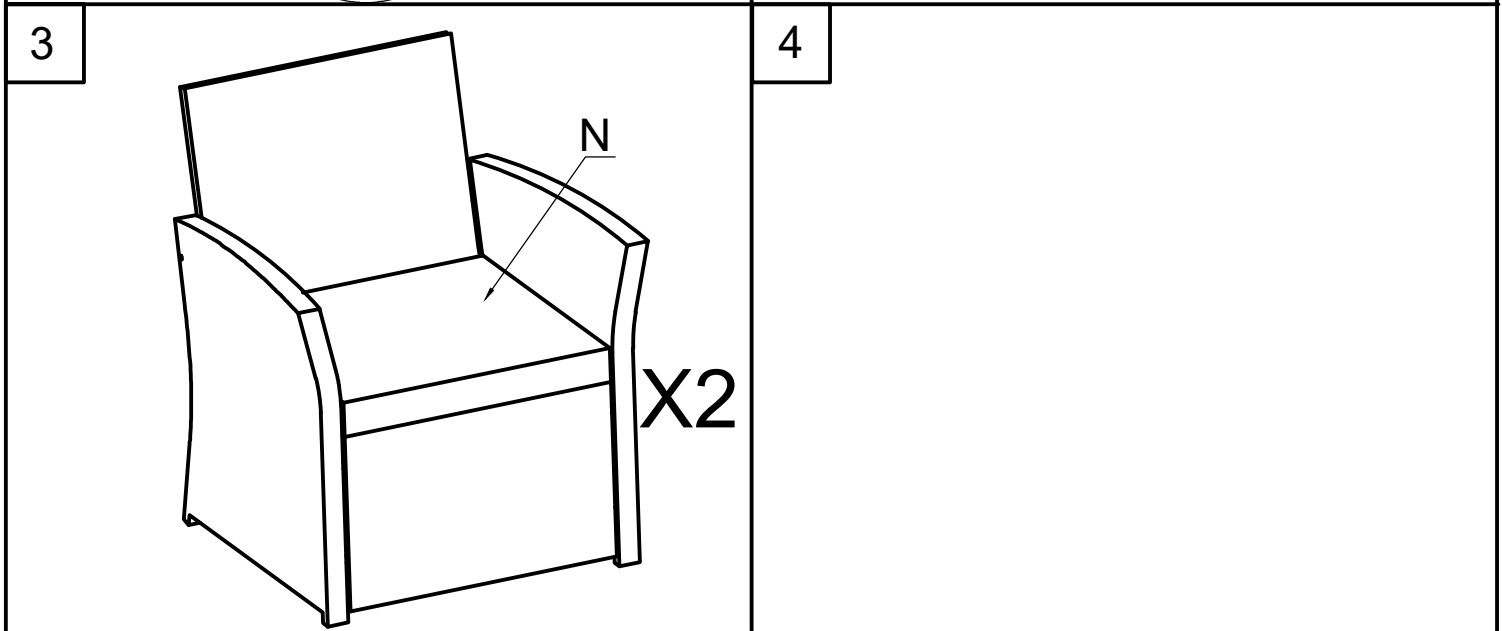
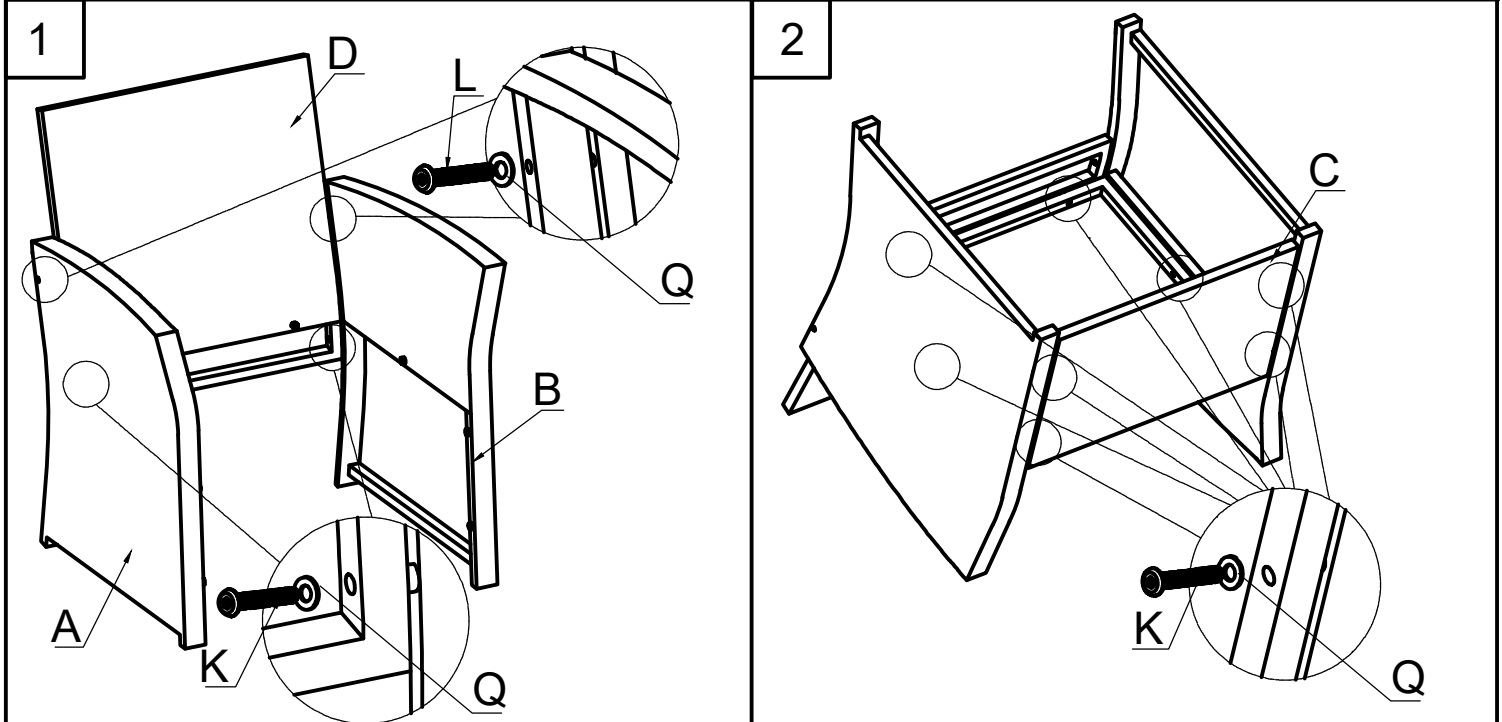
Loveseat

				 M6*35
A 1Pc (TOTAL 3PCS/CTN, Loveseat need 1 of 3)	B 1Pc (TOTAL 3PCS/CTN, Loveseat need 1 of 3)	E 1Pc	F 1Pc	K 11Pcs (TOTAL 31PCS/CTN, loveset need 11 of 31)
 M6*50				
L 2Pcs (TOTAL 6PCS/CTN, loveset need 2 of 6)	M 1Pc (The whole set just have only 1pc Allen Key)	O 1Pc	Q 13Pcs	

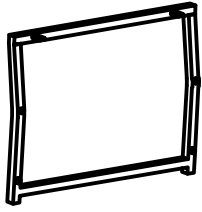


Single Seat (Total 2pcs/CTN, One of them)

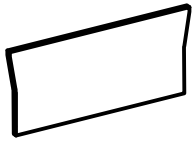
				 M6*35
A 1Pc (TOTAL 3PCS/CTN, single seat need 1 of 3)	B 1Pc (TOTAL 3PCS/CTN, single seat need 1 of 3)	C 1Pc (TOTAL 2PCS/CTN, One of 2)	D 1Pc (TOTAL 2PCS/CTN, One of 2)	K 10Pcs (TOTAL 31PCS/CTN, 10 of them)
 M6*50				
L 2Pcs (TOTAL 6PCS/CTN, 2 of them)	N 1Pc (TOTAL 2PCS/CTN, One of 2)	Q 12Pcs		



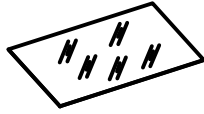
Table



G 2Pcs



H 2Pcs



J 1Pc



M6*30

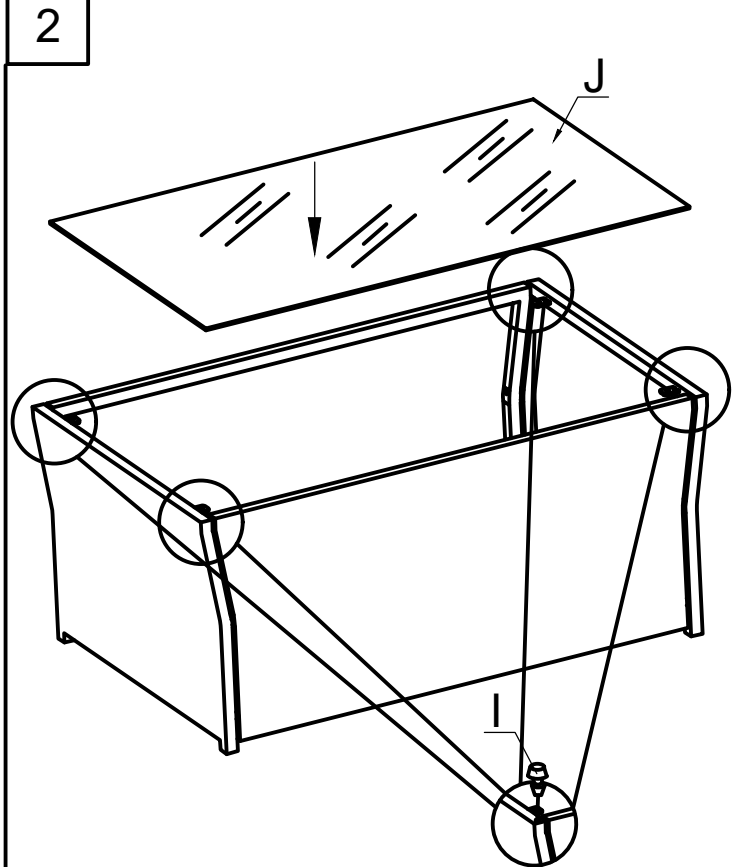
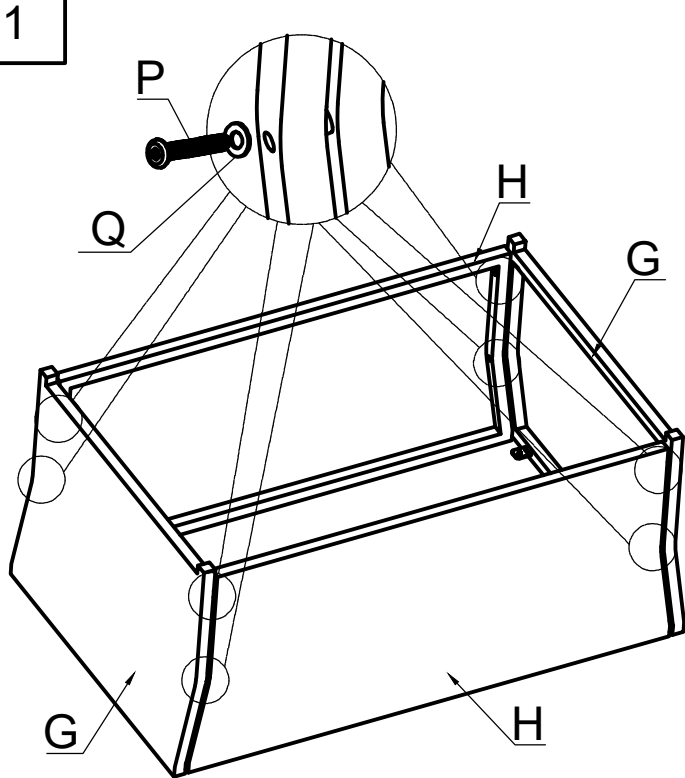


I 4Pcs

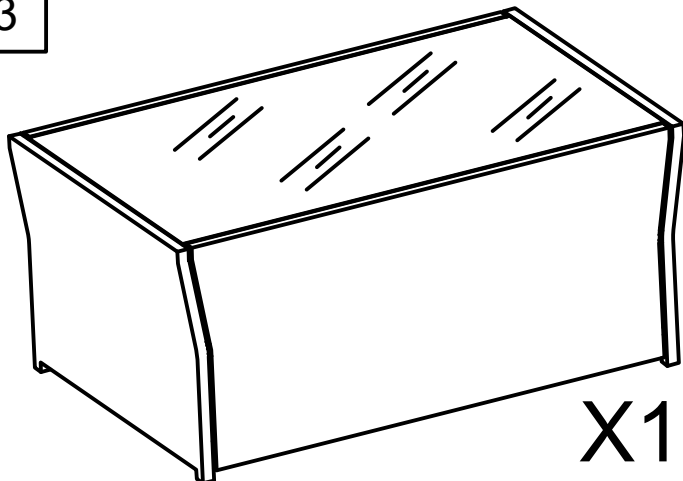
(The glass pad)



Q 8Pcs



(The four glass pads need to install by yourself)



X1