

FLUSH MOUNT

INSTALLATION MANUAL

WARNING:

THIS PRODUCT MUST BE INSTALLED IN ACCORDANCE WITH THE APPLICABLE INSTALLATION CODES BY A PERSON FAMILIAR WITH THE CONSTRUCTION AND OPERATION OF THE PRODUCT AND THE HAZARDS INVOLVED.

- * Check for electric, gas, & plumbing lines before drilling or consult a professional.
- * Turn off your electricity at the circuit breaker or main fuse box before installation.
- * Do not restore power to the line until fully installed.
- * Do not exceed the recommended wattage.
- * Always allow bulbs to cool for 10 minutes before changing.

This fixture has been rated for up to **three (3) E12** light bulb (not included).

To avoid the risk of fire, **DO NOT EXCEED THE RECOMMENDED LAMP WATTAGE.**

TURN OFF YOUR ELECTRICITY AT THE CIRCUIT BREAKER OR MAIN FUSE BOX BEFORE INSTALLATION.

The lighting fixture is meant for indoor use.

Pls read the installation instructions carefully and follow the steps:

1. Attach mounting bracket to outlet box (not included) using screws. (FIG.1)
2. Optional lamp frame
 - Flush mount: Connect canopy and lamp shade. (FIG.2)
 - Semi flush mount: Connect canopy, metal tube and lamp shade. (FIG.3)
3. Install the light bulbs (not included).
4. Make electrical connections using wire nuts.
5. Attach the canopy to the mounting bracket and secure it with canopy nuts.
6. Hang crystal strings on the frame.

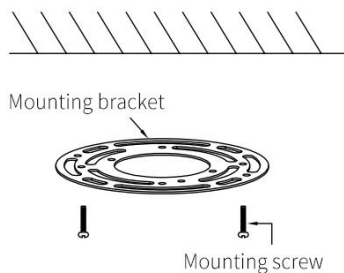


FIG. 1

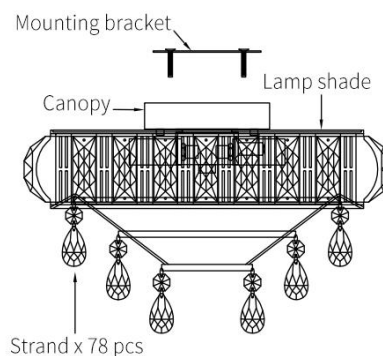


FIG. 2

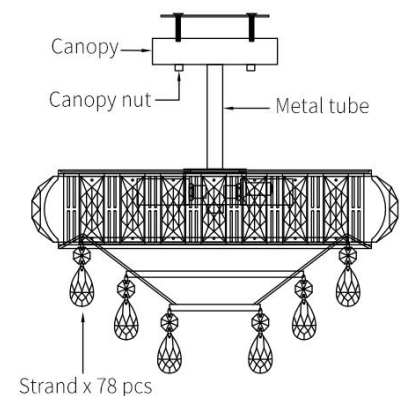


FIG. 3

Thanks for your purchase!