

# 2-Tier Bar Cart

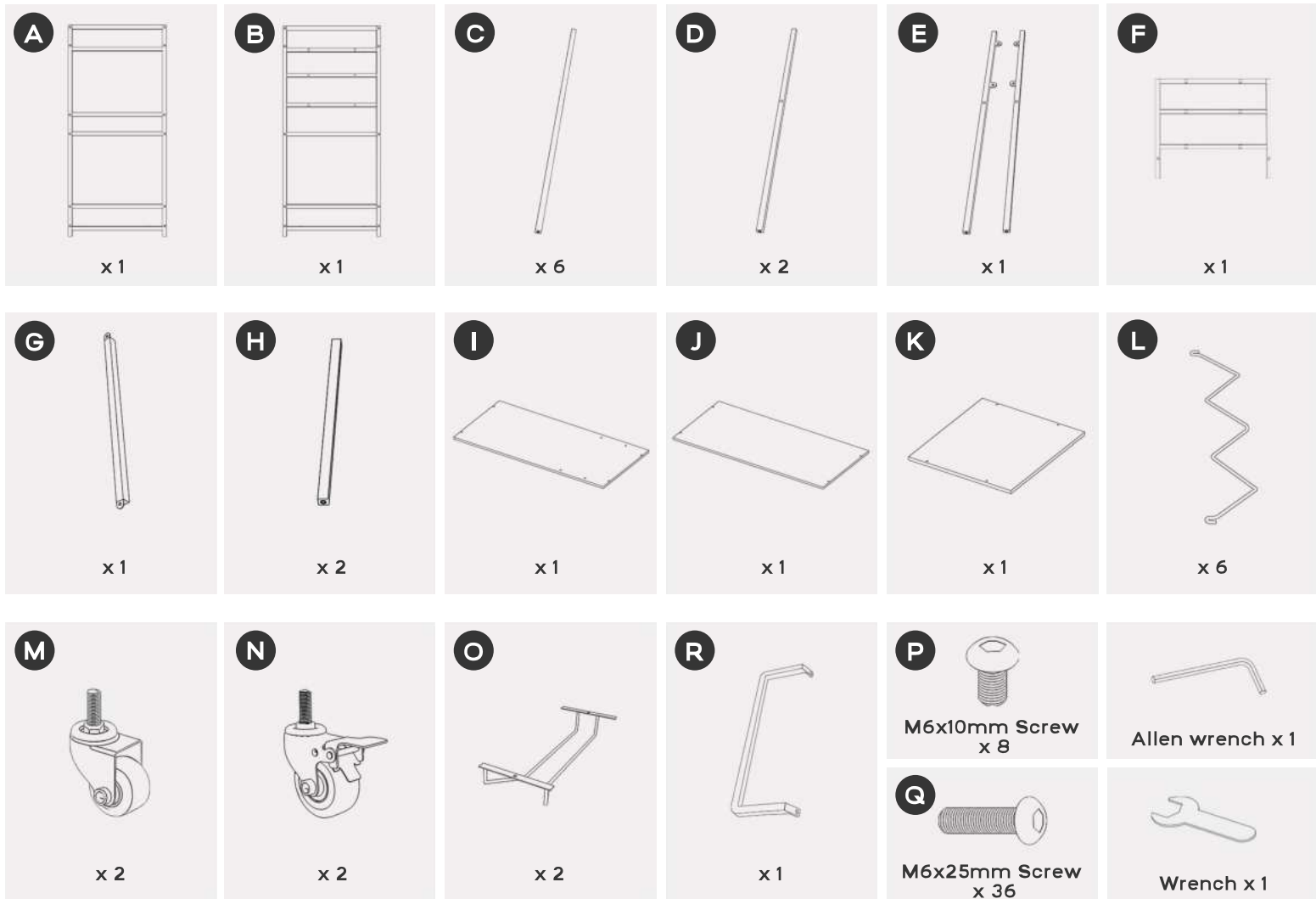
## Installation Steps



# Important Assembly Advice

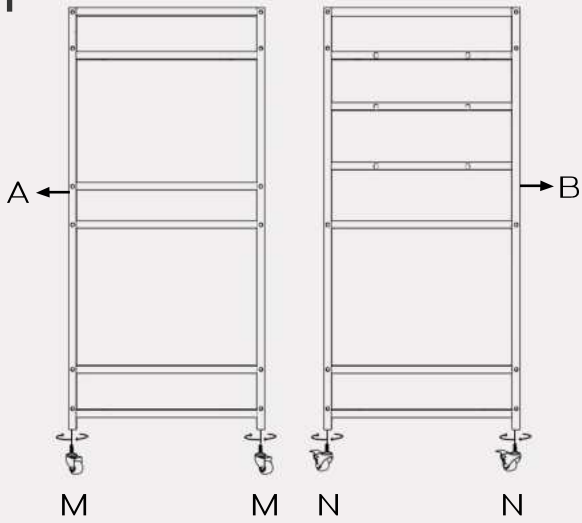
1. In order to avoid the situation that some parts cannot be installed, please make sure to follow the correct installation order.
2. Parts of assembly will be MUCH EASIER with 2 people.
3. Please keep a mild tightness on all the screwing during assembly. After the whole bar cart is assembled, firmly tighten all the screws.
4. You can also refer to the installation video on the product page for guidance.

## Components

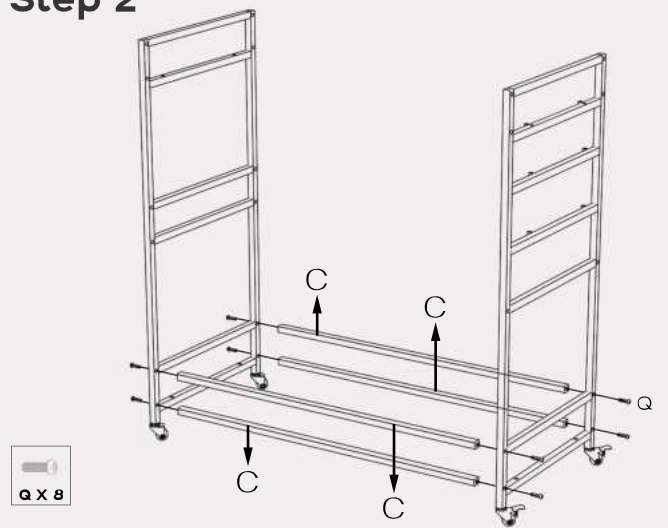


# Assembly Instructions

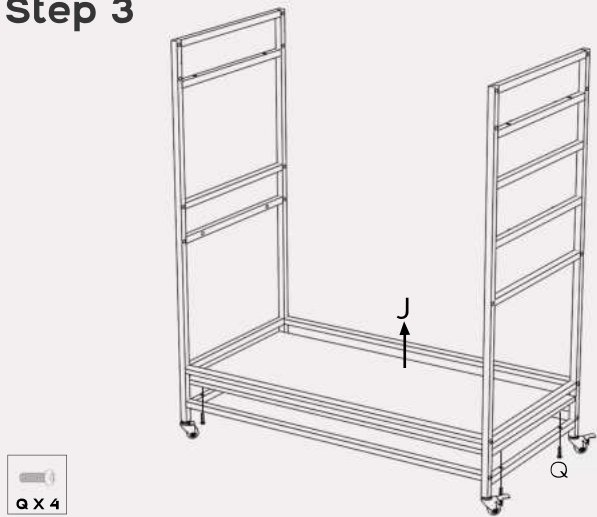
## Step 1



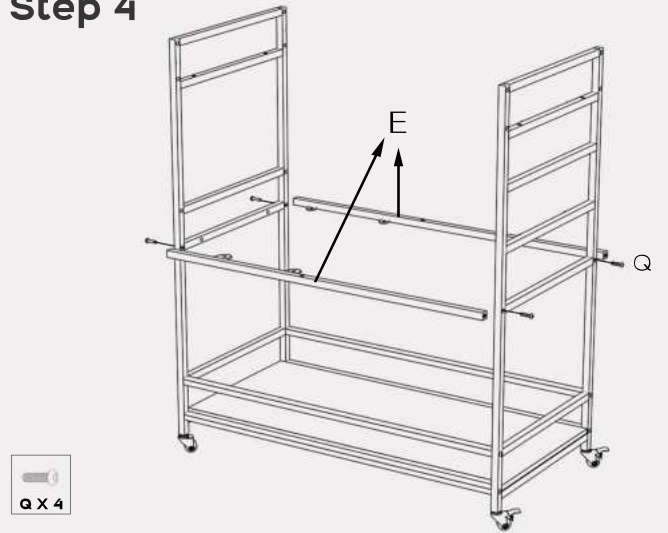
## Step 2



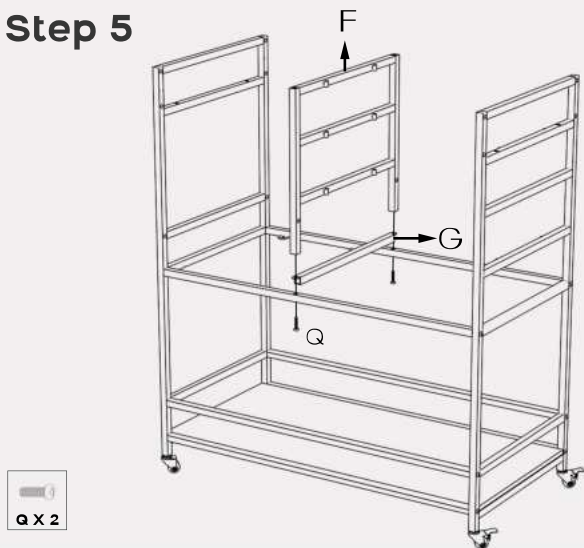
## Step 3



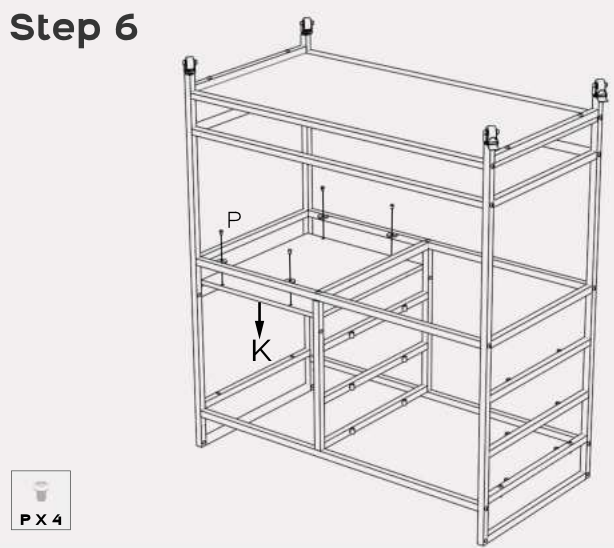
## Step 4



## Step 5

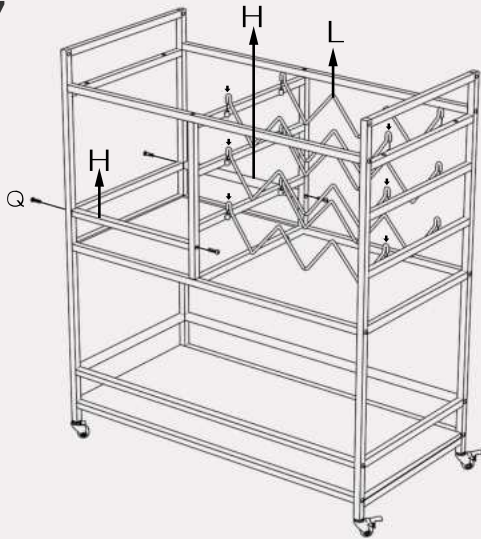


## Step 6

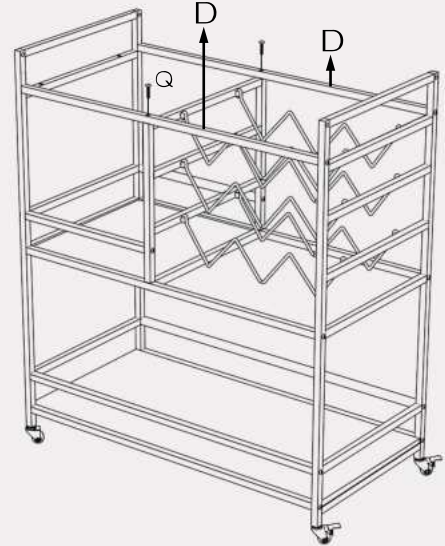


# Assembly Instructions

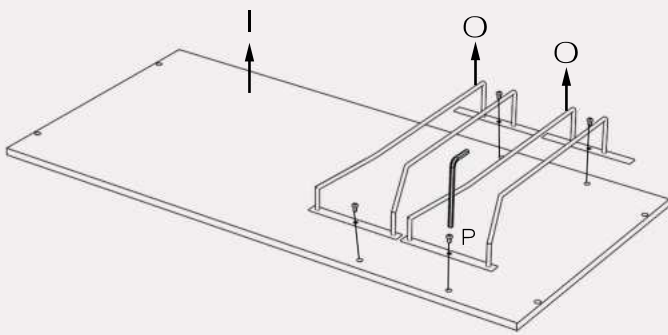
## Step 7



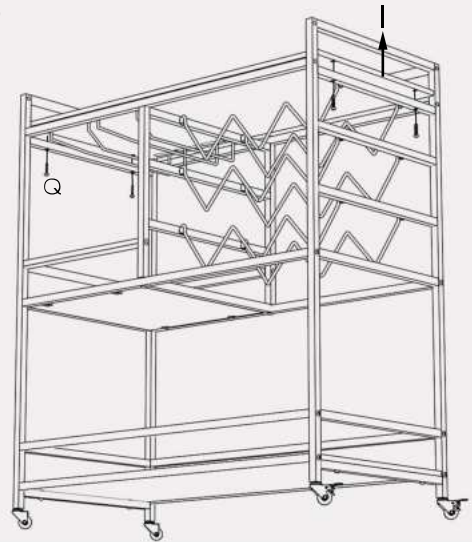
## Step 8



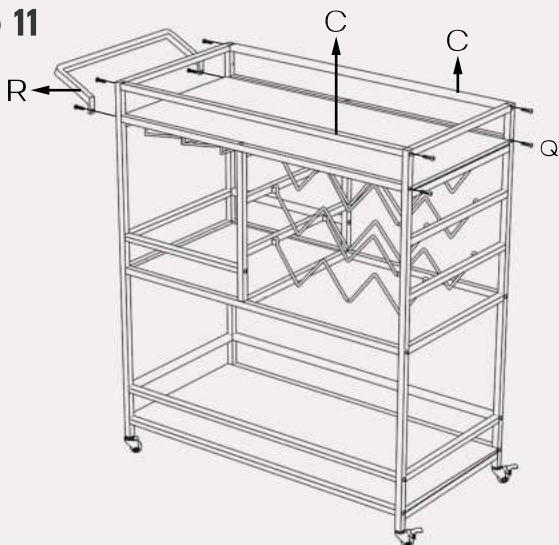
## Step 9



## Step 10



## Step 11



## Step 12

