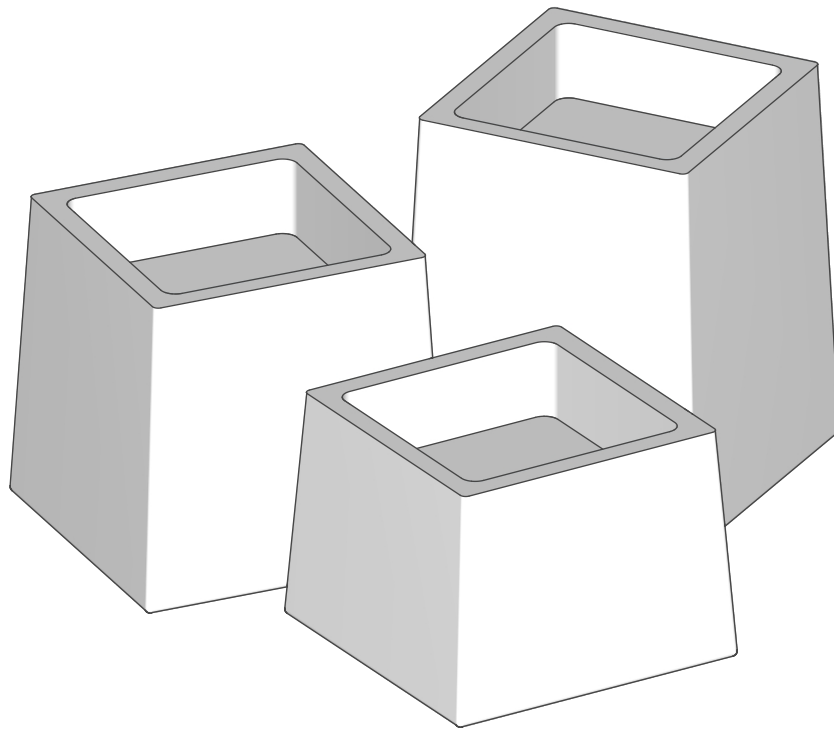


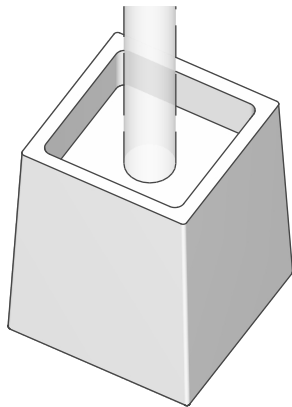
# Installation Instructions

## Bed Risers Heavy Duty

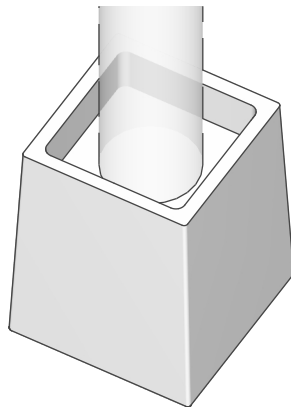


## Display

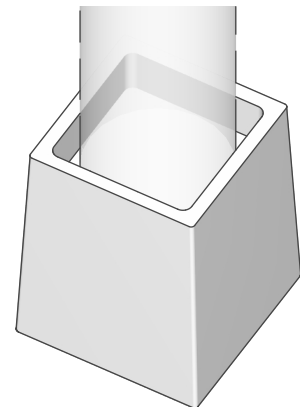
1-Inch Round Leg



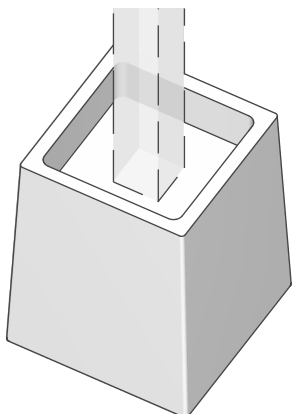
2-Inch Round Leg



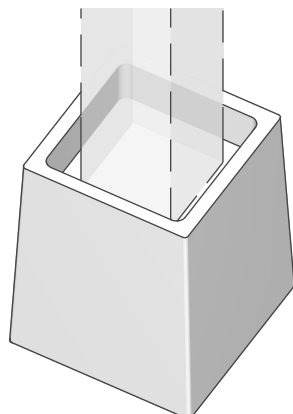
3-Inch Round Leg



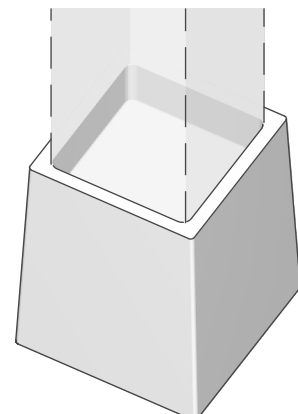
1-Inch Square Leg



2-Inch Square Leg



3-Inch Square Leg



**TIPS:** If needed, you can glue the furniture leg to the bed risers on your own.