

Thank you for purchasing this quality product. Be sure to check all packing material carefully for small parts which may have come loose inside the carton during shipment. Separate, identify and count all parts and hardware. Compare with the parts list to be sure all parts are present.

IMPORTANT : PLEASE READ INSTRUCTION BEFORE STARTING THE ASSEMBLY.

"DO NOT TIGHTEN SCREWS UNTIL COMPLETELY ASSEMBLED"

"DO NOT OVERTIGHT ANY HARDWARE"

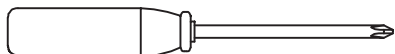
WARNING : SMALL PARTS AND HARDWARE NOT FOR CHILDREN UNDER 3 YEARS. ADULT ASSEMBLY REQUIRED.

TABLE OF CONTENTS

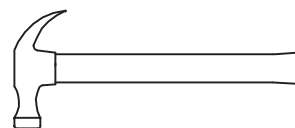
HARDWARES LIST	PAGE 2
PARTS LIST	PAGE 3
PARTS' LOCATION	PAGE 4
ASSEMBLY STEPS	PAGE 5 - 7
ASSEMBLY COMPLETED	PAGE 8

ASSEMBLY TOOLS REQUIRED

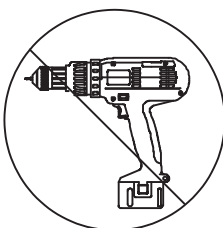
1. Screwdriver (not provide)



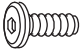
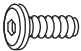
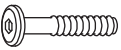



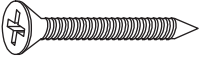



2. Hammer (not provide)



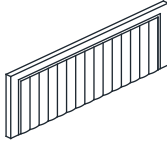
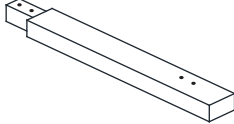
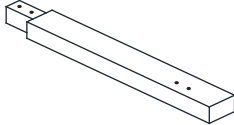
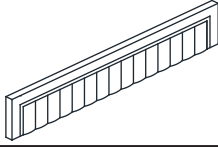

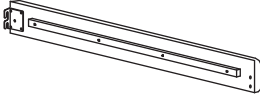
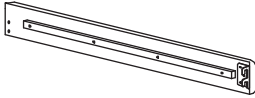

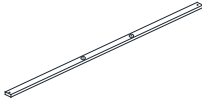

Skip the power trip this time.



HARDWARES LIST

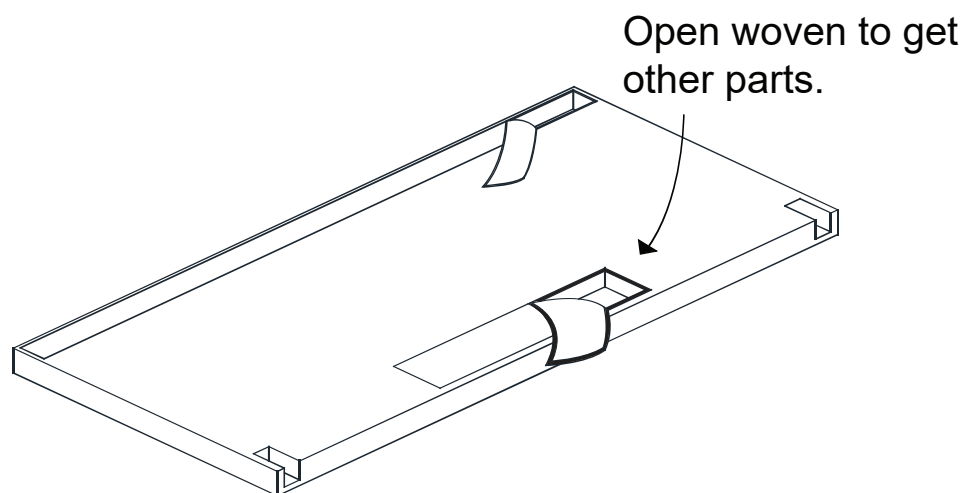
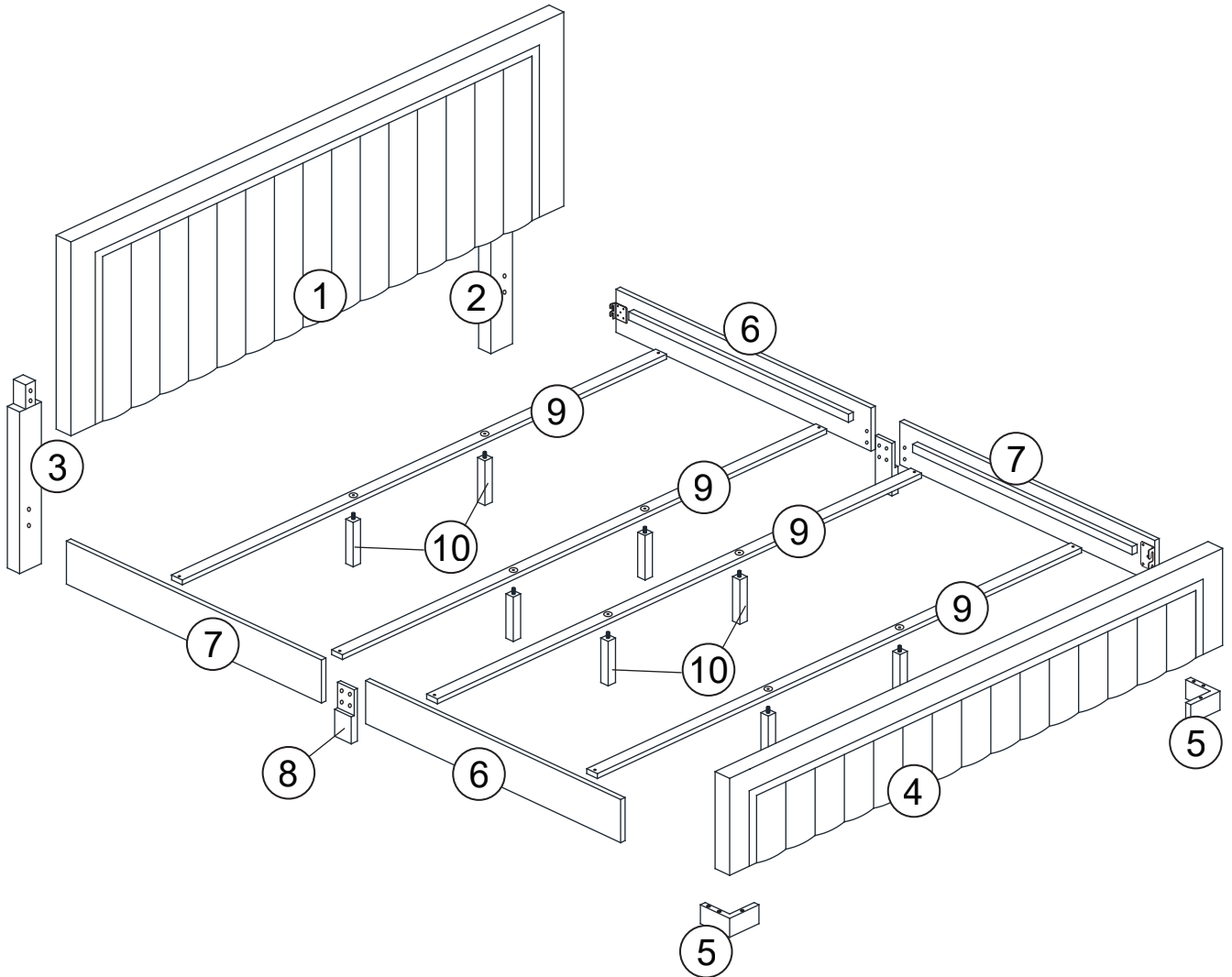
ITEM	DESCRIPTION	DRAWING	QTY
A	JCBB SCREW M8 x 20MM		8 PCS
B	JCBC SCREW M6 x 15MM		6 PCS
C	JCBC SCREW M6 x 35MM		8 PCS
D	JCBC SCREW M6 x 40MM		4 PCS
E	SPRING WASHER M6 x 12MM		12 PCS
F	FLAT WASHER M6 x 19MM		12 PCS
G	CSK C/B SCREW (M4 x 32MM)		8 PCS
H	M4 ALLEN KEY (100MM)		1 PC
I	M5 ALLEN KEY (65MM)		1 PC
J	SUPPORT LEG ADJUSTABLE FEET		8 PCS

PARTS LIST

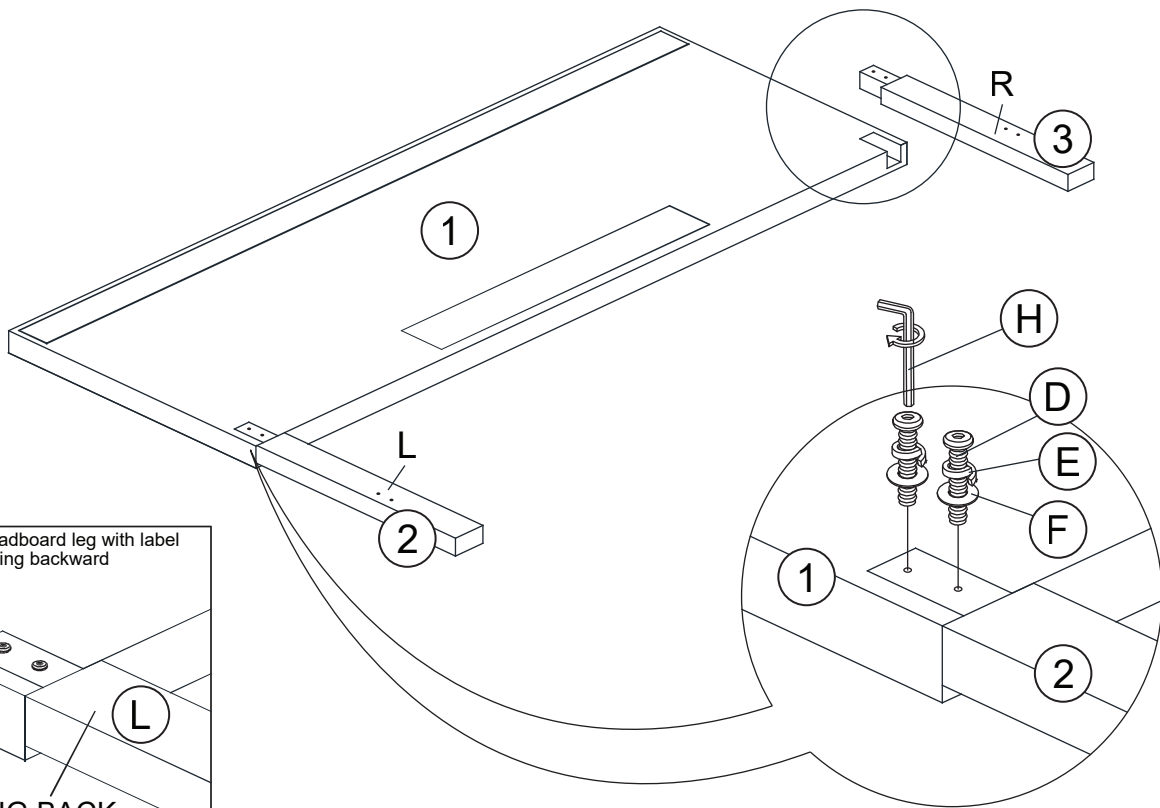
ITEM	DESCRIPTION	DRAWING	QTY
1	HEADBOARD		1 PC
2	LEFT HEADBOARD LEG (WITH "L" LABEL)		1 PC
3	RIGHT HEADBOARD LEG (WITH "R" LABEL)		1 PC
4	FOOTBOARD		1 PC
5	FOOTBOARD LEG		2 PCS
6	SIDE RAIL		2 PCS
7	SIDE RAIL		2 PCS
8	SIDE RAIL LEG		2 PCS
9	SLATS		4 PCS
10	SUPPORT LEG		8 PCS

MORE PARTS DETAIL IN NEXT PAGE...

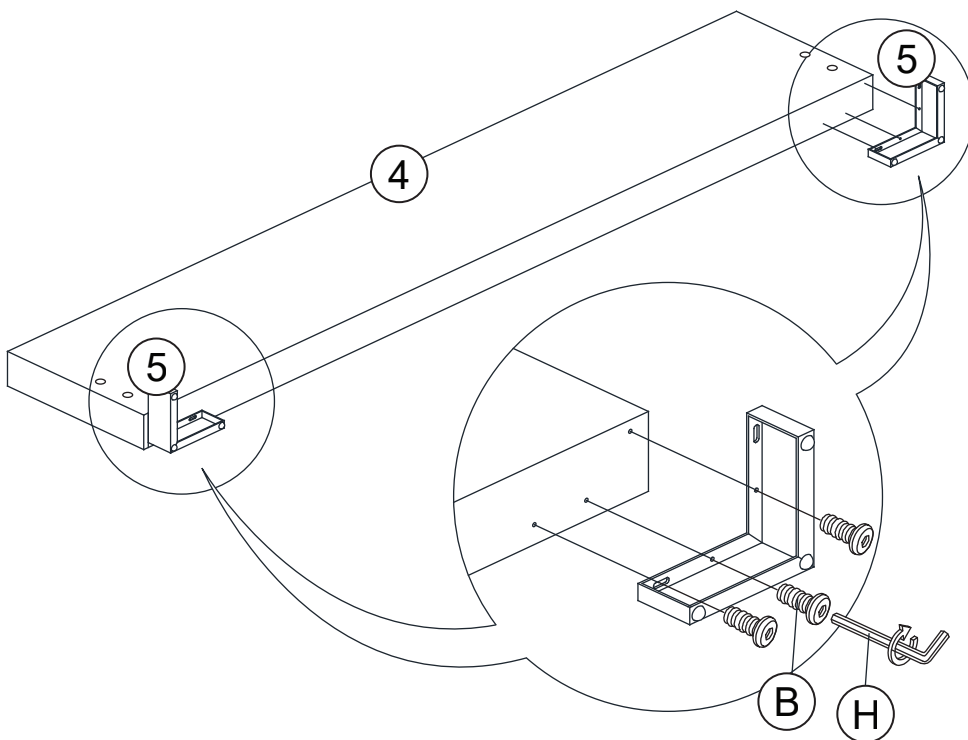
PARTS ' LOCATION



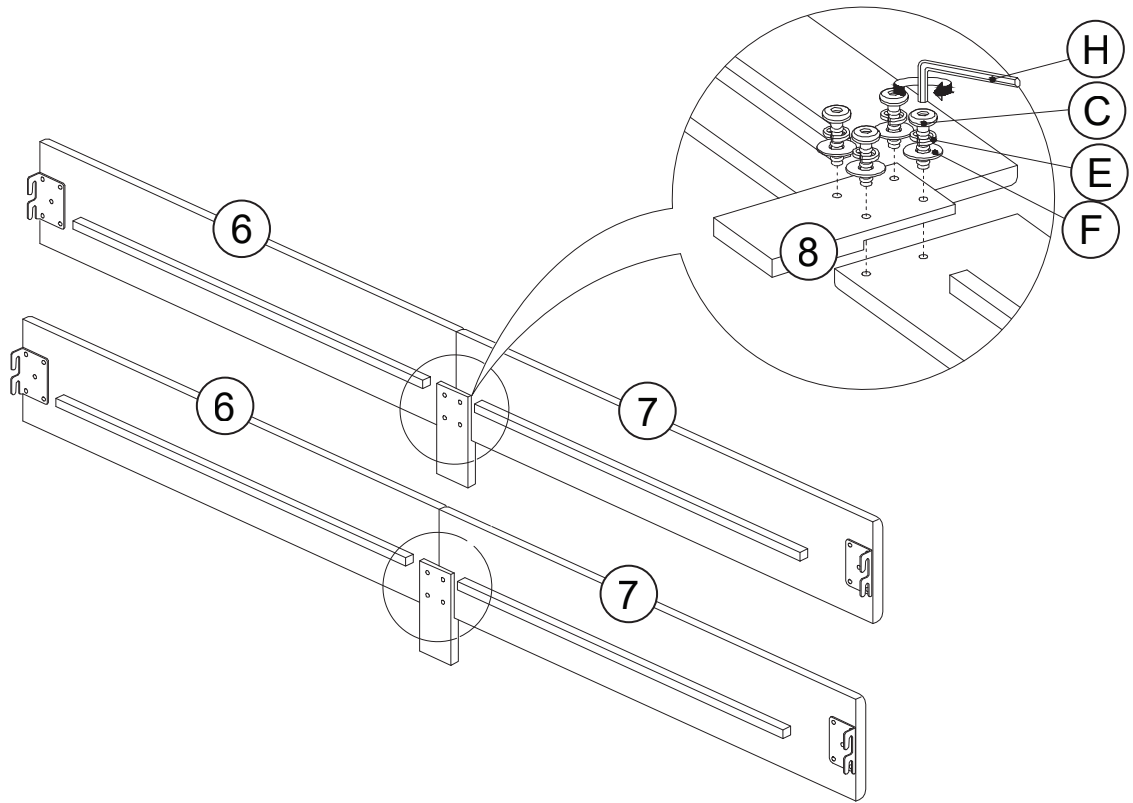
STEP 1



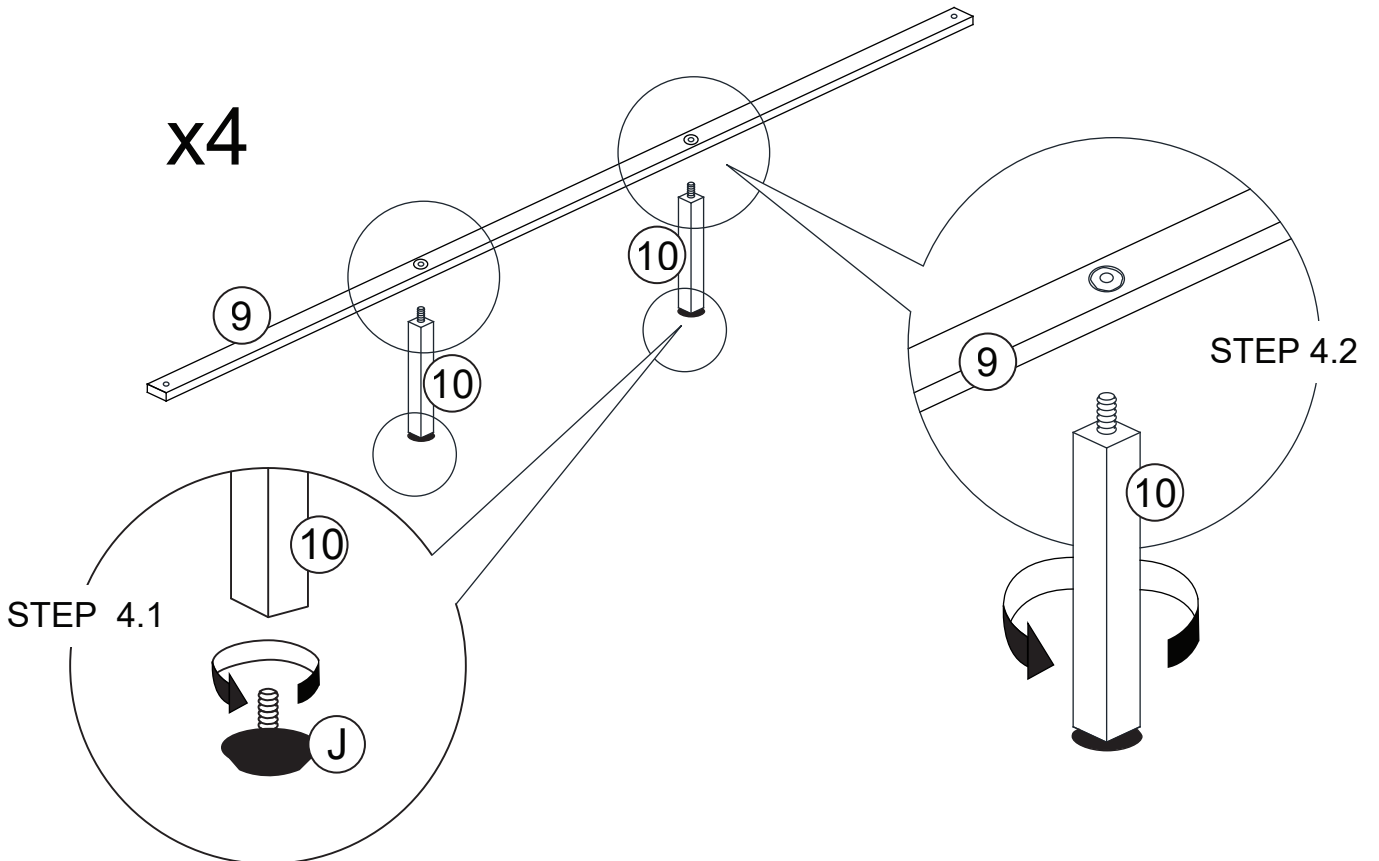
STEP 2



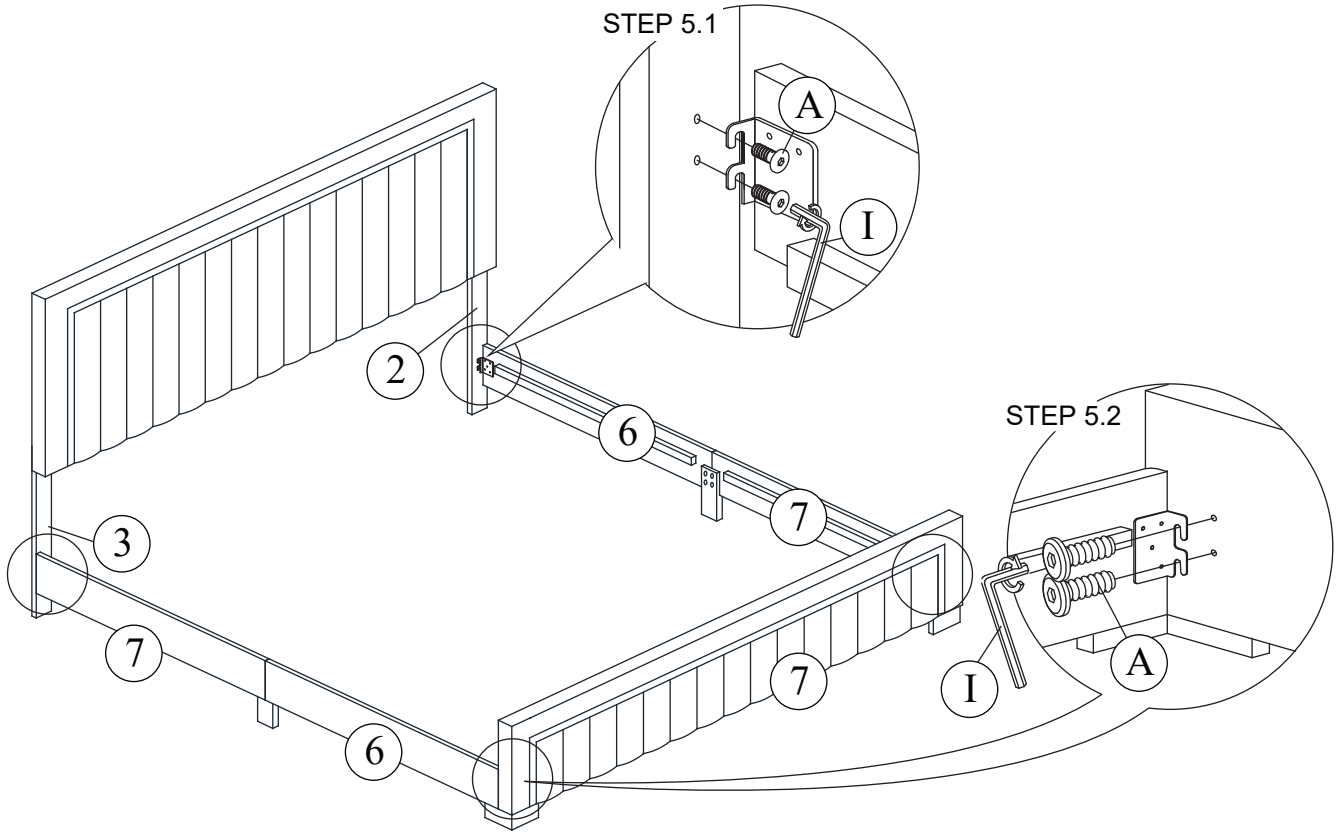
STEP 3



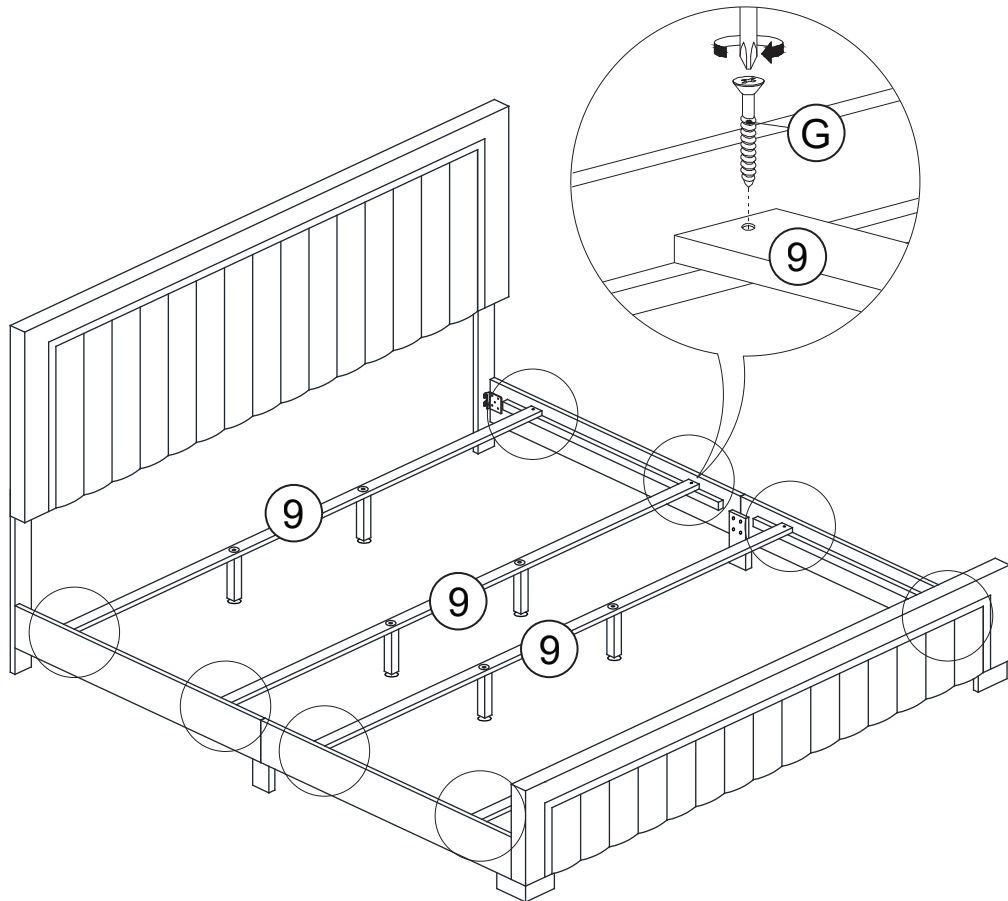
STEP 4



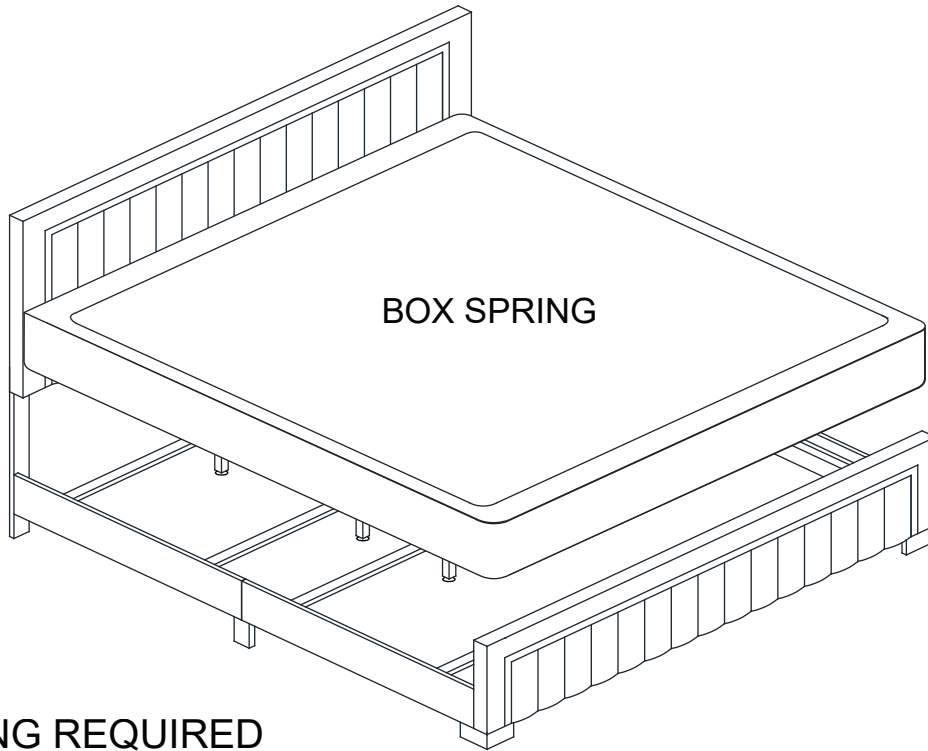
STEP 5



STEP 6

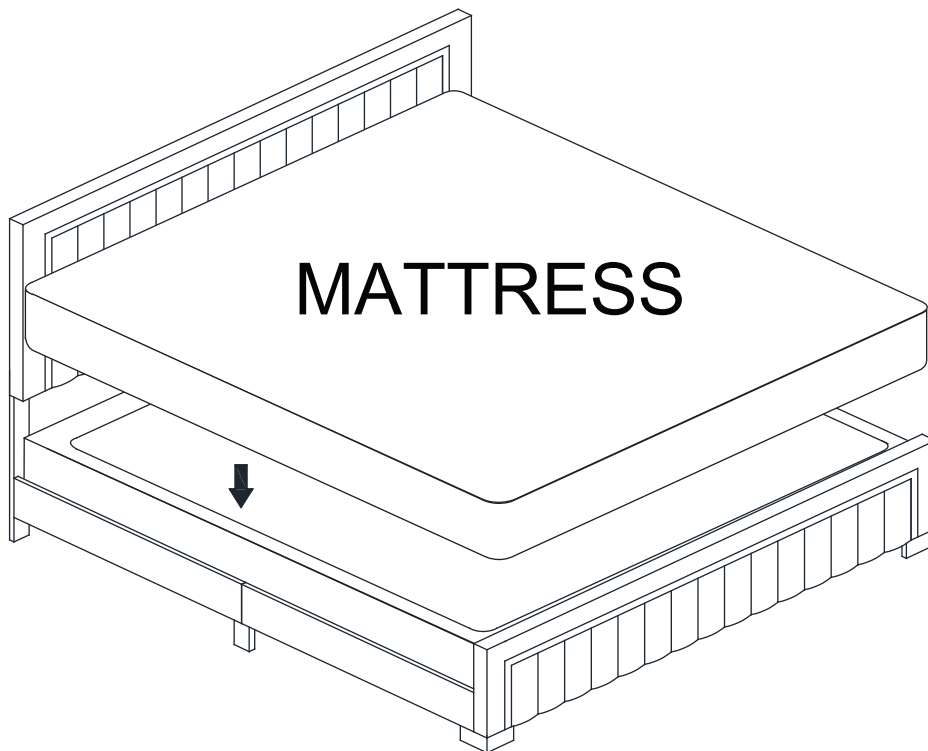


STEP 7



**BOX SPRING REQUIRED
(NOT INCLUDED)**

STEP 8



ASSEMBLY COMPLETED