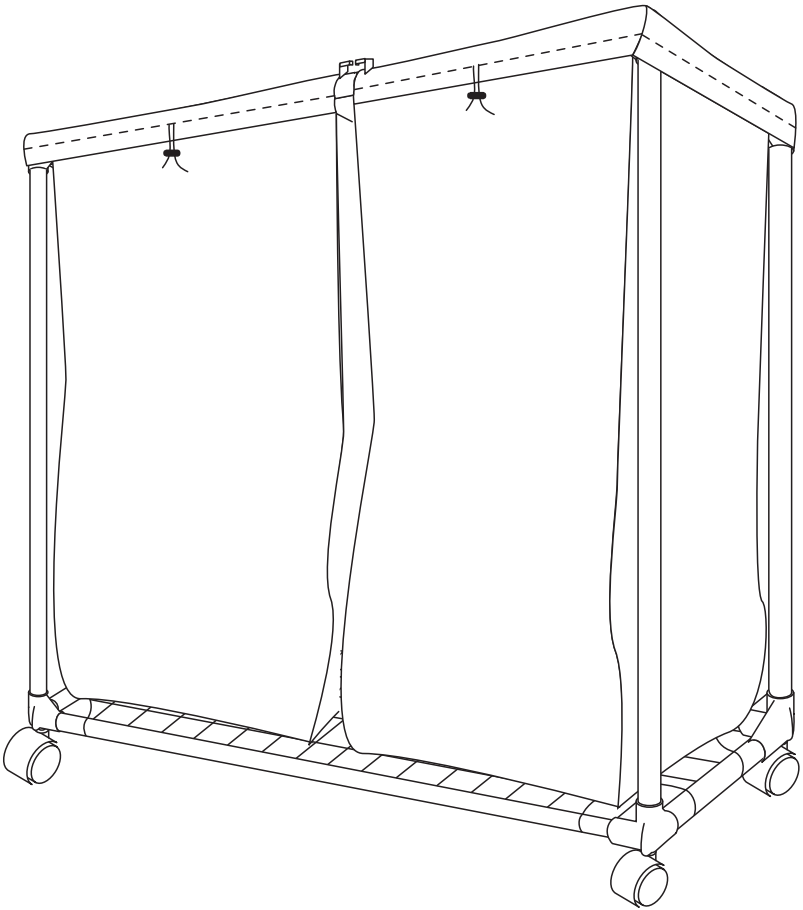






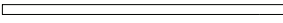
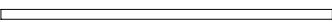


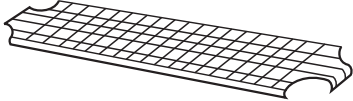

**2 bag mesh hamper**

**2 canastas para ropa de bolsa de malla**  
**panier en maille avec 2 sacs**



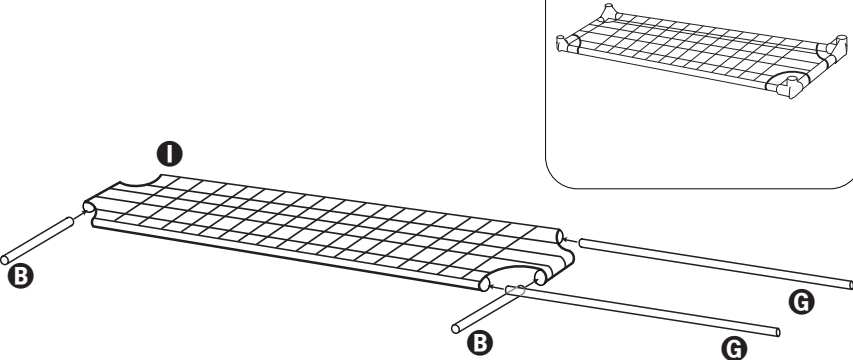
**22 in L x 16 in W x 29 in H (55.9 cm L x 40.6 cm W x 73.7 cm H)**

# PARTS LIST

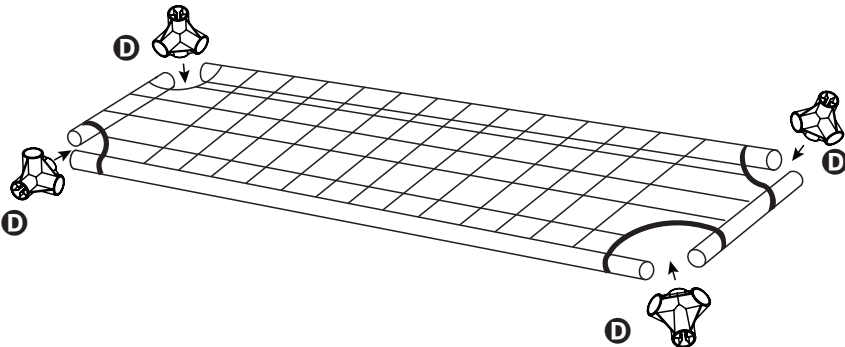
PART/ILLUSTRATION	(QTY)	DESCRIPTION
<b>A</b> 	( 4 )	<b>3-way joint</b> 3 de forma conjunta Joint 3 voies
<b>B</b>  13 in x $\varnothing$ 0.87 in (33.02 cm x $\varnothing$ 2.21 cm)	( 4 )	<b>short tubes</b> tubos cortos tubes courts
<b>C</b> 	( 4 )	<b>bag anchors</b> anclas bolsa sac ancras
<b>D</b> 	( 4 )	<b>4 way joint</b> 4 manera conjunta Commune 4 voies
<b>E</b>  24 in x $\varnothing$ 0.87 in (60.96 cm x $\varnothing$ 2.21 cm)	( 4 )	<b>uprights</b> montantes montants
<b>F</b>  20 in x $\varnothing$ 0.87 in (50.8 cm x $\varnothing$ 2.21 cm)	( 2 )	<b>upper tubes</b> tubos superiores tubes supérieurs
<b>G</b>  20 in x $\varnothing$ 0.87 in (50.8 cm x $\varnothing$ 2.21 cm)	( 2 )	<b>lower tubes</b> tubos inferiores des tubes inférieurs
<b>H</b> 	( 4 )	<b>casters</b> ruedas roulettes
<b>I</b> 	( 1 )	<b>mesh bottom</b> parte inferior de malla maille bas
<b>J</b> 	( 2 )	<b>bag</b> bolsa sac

# ASSEMBLY

1

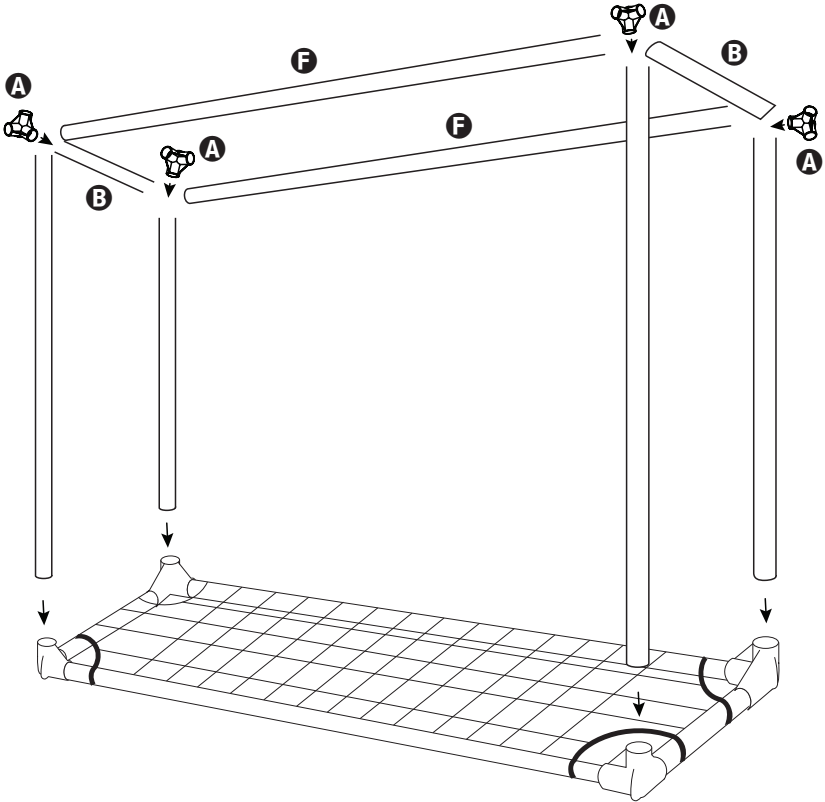
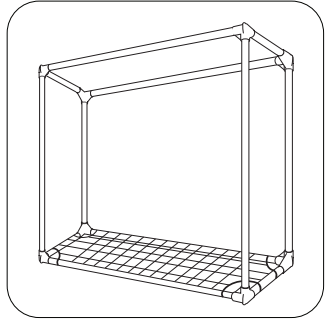


2



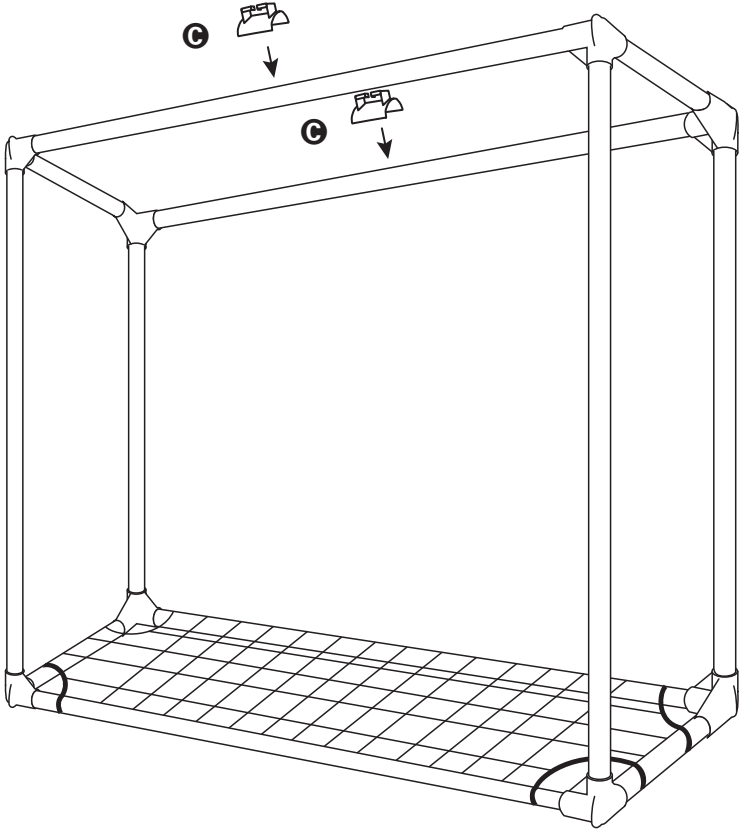
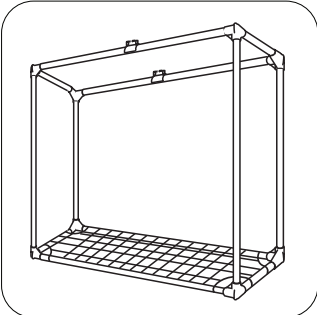
# ASSEMBLY

3



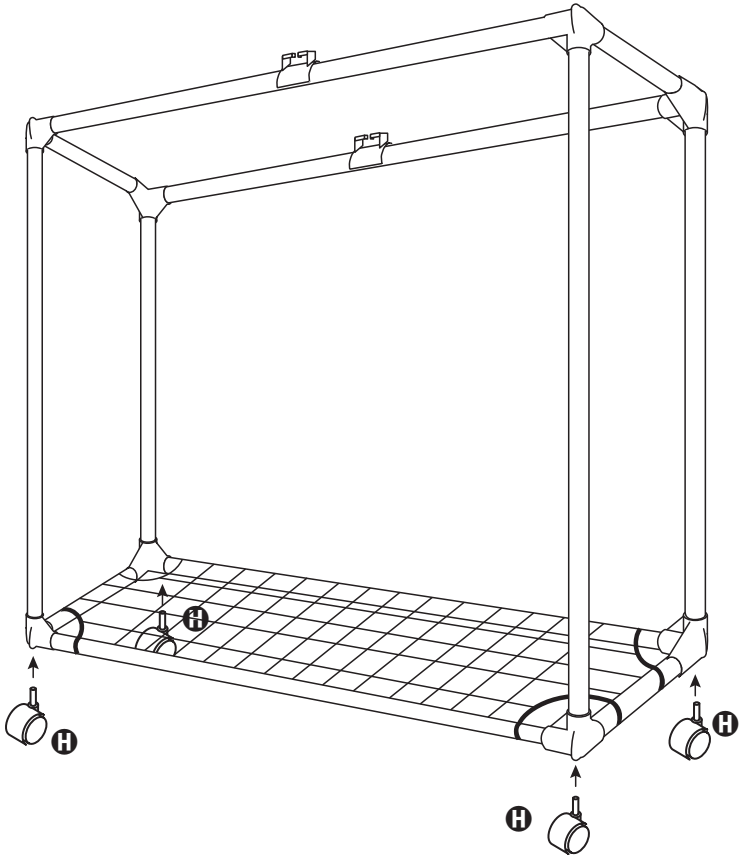
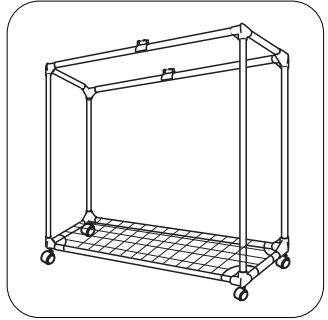
# ASSEMBLY

4



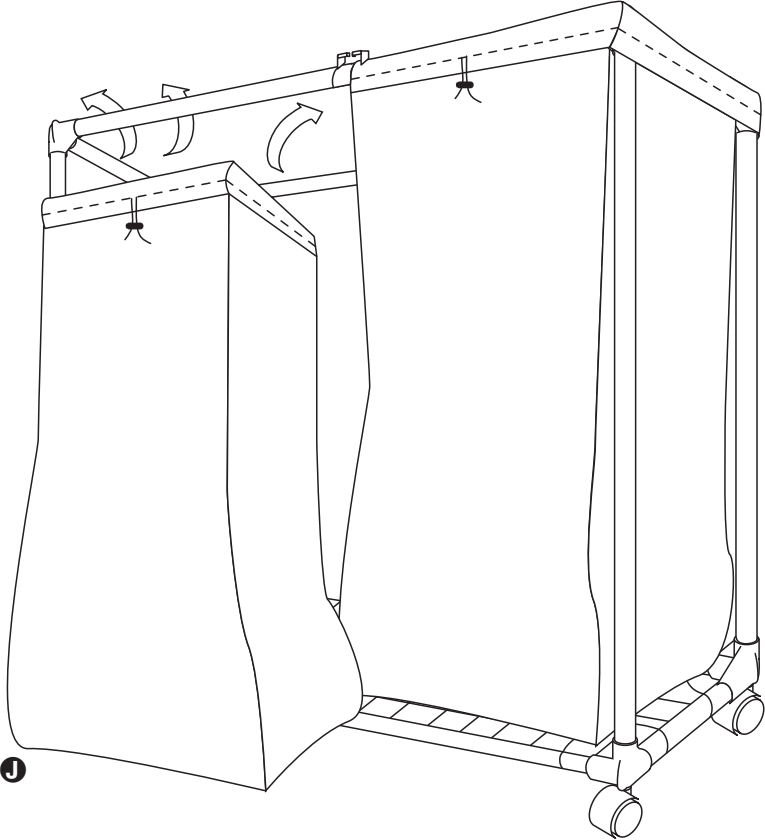
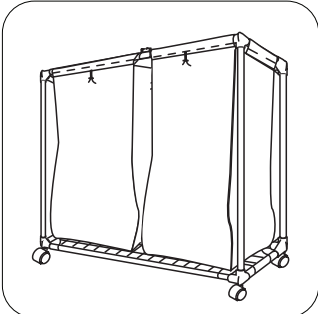
# ASSEMBLY

5



# ASSEMBLY

6



#### LIMITED LIFETIME WARRANTY

We warrant our products will be free from defects in materials and workmanship when used for normal personal or household use. Except as provided below us, at its option, may offer a comparable product or offer a replacement part or request that the item be returned to the place of purchase. This warranty DOES NOT apply to damage caused by negligence, misuse, excessive use, improper cleaning, improper assembly, or any circumstances not directly attributable to manufacturing defects. Proof of purchase is required in the form of a receipt (copy or original) to validate warranty. We provide this limited lifetime warranty in lieu of all other warranties, either express or implied. In no event shall we, our affiliates, or subsidiaries be responsible for consequential or incidental damages arising out of a claim of defective product. Some states or provinces do not allow some exclusions or limitations, so the above statement may not apply to you. This warranty gives you specific legal rights. Additional rights vary by state or province.

#### WARNING:

Keep bags and plastic sheeting away from babies and children. Do not use in cribs, beds, carriages or play-pens. The plastic may cling to the nose and mouth and prevent breathing.