

## NOTICE

\*Please make sure that you have all parts indicated and they are in good condition before you begin assembly of this item. Refer to part list and hardware list below for guidance.

\*This item should be assembled on a soft surface to prevent scratching the finish during assembly.

\*This item may require periodic tightening.

\*If you are having difficulty, our friendly Customer Care team is always here to help. Please email [customersupport@safavieh.com](mailto:customersupport@safavieh.com).

## PREPARATION

\* Before beginning assembly of product, make sure all parts are present. Compare parts with part contents list and hardware contents list.

\* If any part is missing or damaged, do not attempt to assemble the product.



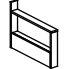





\* Estimated Assembly Time: 10 minutes.

\* **Tools Required for Assembly (included): Allen Key**

## CARE AND MAINTENANCE

Insert Care and Maintenance here

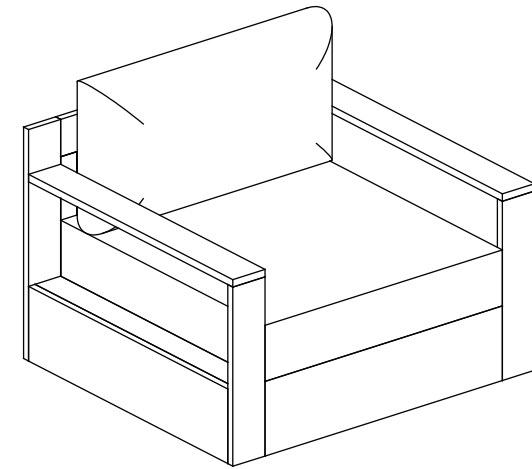
### Part List and Hardware List

| PIECE | DESCRIPTION              | PICTURE  | QUANTITY |
|-------|--------------------------|--|----------|
| A     | Frame back               |            | 1X       |
| B     | Frame Seat               |           | 1X       |
| C     | Frame Leg                |           | 2X       |
| D     | Cross Leg                |           | 1X       |
| CSH1  | Seat Cushion             |           | 1X       |
| CSH2  | Back Cushion             |           | 1X       |
| HW1   | Allen Bolt: M6x0.5x40 mm | <br>M6x40 | 8X       |
| HW2   | Screw: M6 x0.5 x80 mm    | <br>M6x80 | 2X       |

# SAFAVIEH C O U T U R E

Model# CPT1040A


Product Dimensions: 31.89" W x 29.92" D x 28.35" H



**Weight Capacity : 200 lbs**

**Warning : Do not stand on chair**

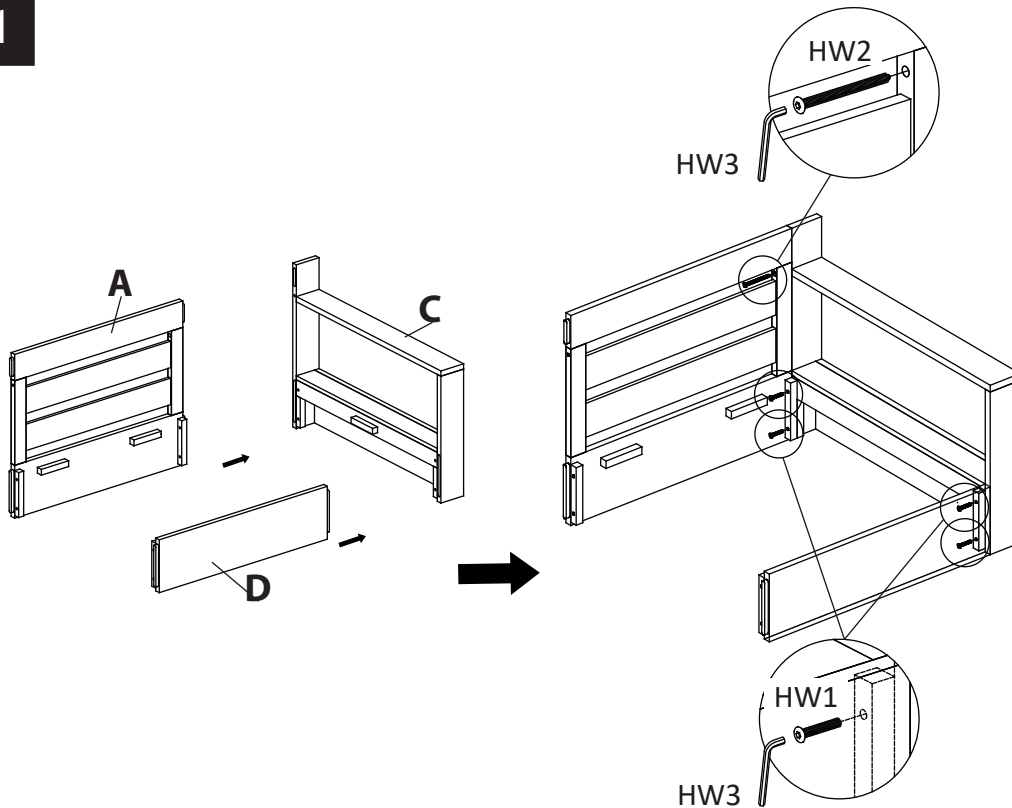
**Warning : Do not over torque bolts / screws**

|     |           |  |    |
|-----|-----------|--|----|
| HW3 | Allen key | <br>LG4 | 1X |
|-----|-----------|--|----|

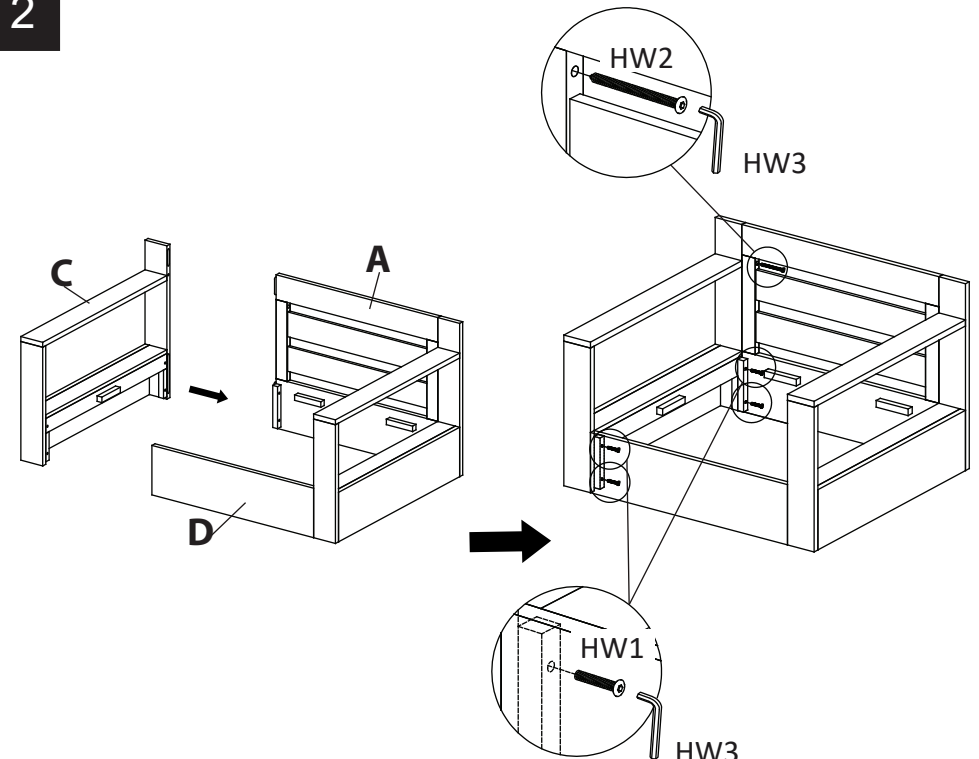
# PREPARATION

- \*Before beginning assembly of product, make sure all parts are present. Compare parts with package contents list and hardware contents list.
- \*If any part is missing or damaged, do not attempt to assemble the product.
- \* Estimated Assembly Time : 10 minutes.
- \* Tools Required for Assembly (included): Allen Key
- \* If you are having difficulty, our friendly Customer care team is always here to help. Please email [customersupport@safavieh.com](mailto:customersupport@safavieh.com)

1



2



## Step 1

Attach Back Frame (A) to Frame Leg (C), use Screws (HW2) , Bolts (HW1) tighten with Allen Key (HW3)  
Attach Cross Leg (D) to Frame Leg (C), use Bolts (HW1) tighten with Allen Key (HW3)

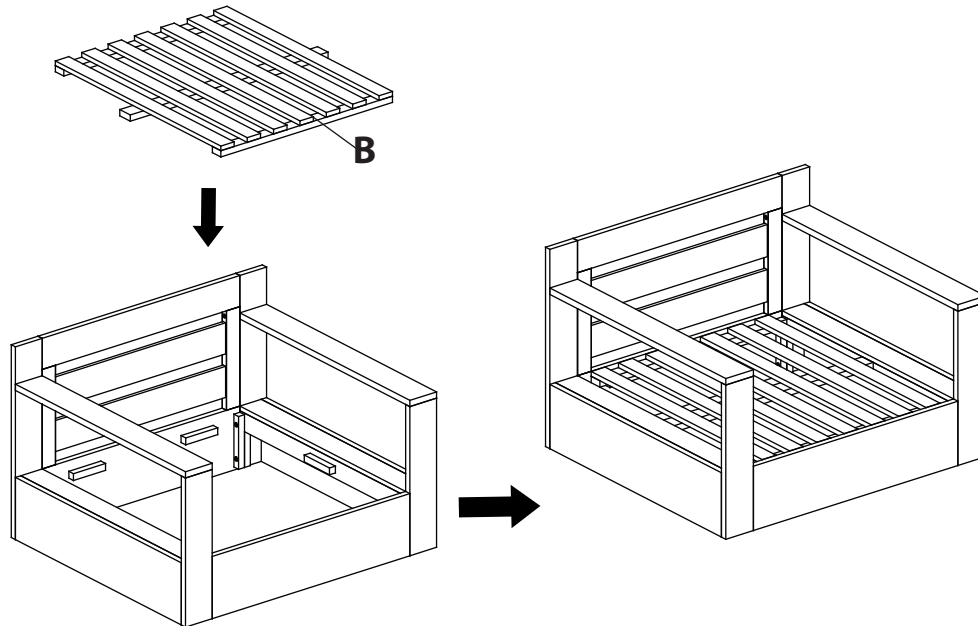
## Step 2

Attach Frame Leg (C) to Back Frame (A), use Screws (HW2) , Bolts (HW1) tighten with Allen Key (HW3)  
Attach Frame Leg (C) to Cross Leg (C), use Bolts (HW1) tighten with Allen Key (HW3)

## PREPARATION

- \*Before beginning assembly of product, make sure all parts are present. Compare parts with package contents list and hardware contents list.
- \*If any part is missing or damaged, do not attempt to assemble the product.
- \* Estimated Assembly Time : 10 minutes.
- \* Tools Required for Assembly (included): Allen Key
- \* If you are having difficulty, our friendly Customer care team is always here to help. Please email [customersupport@safavieh.com](mailto:customersupport@safavieh.com)

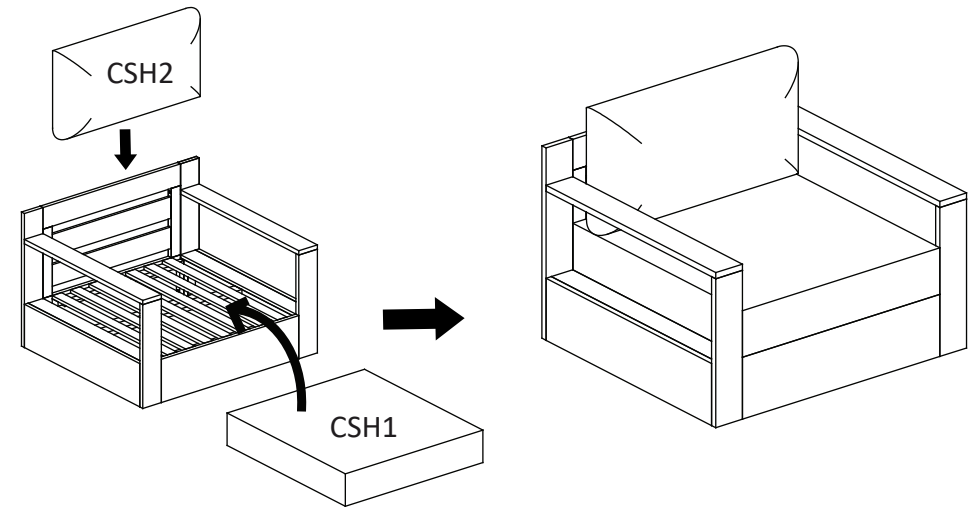
3



Step 3

Attach the Frame Seat (B) to the assembled frame in step 2

4



Step 4

Attach Ensure all screws, bolts are fully locked into position . Place Seat Cushion (CSH1), Back Cushion (CSH2) into the Chair.  
The Chair is ready to be used