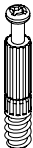

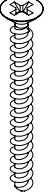

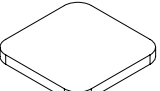


Protected wood species are not used in this product

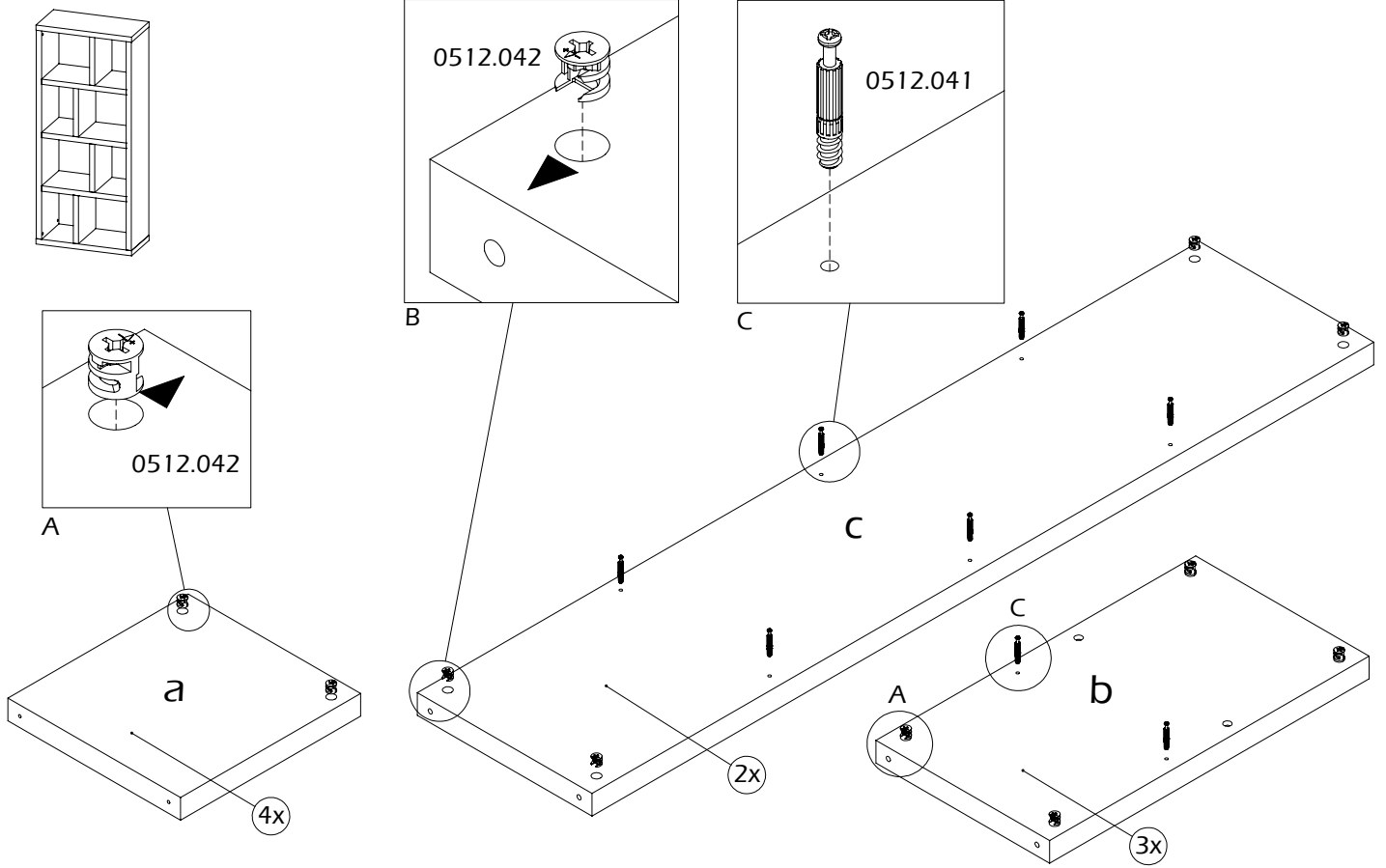


Clean surface with dry cloth

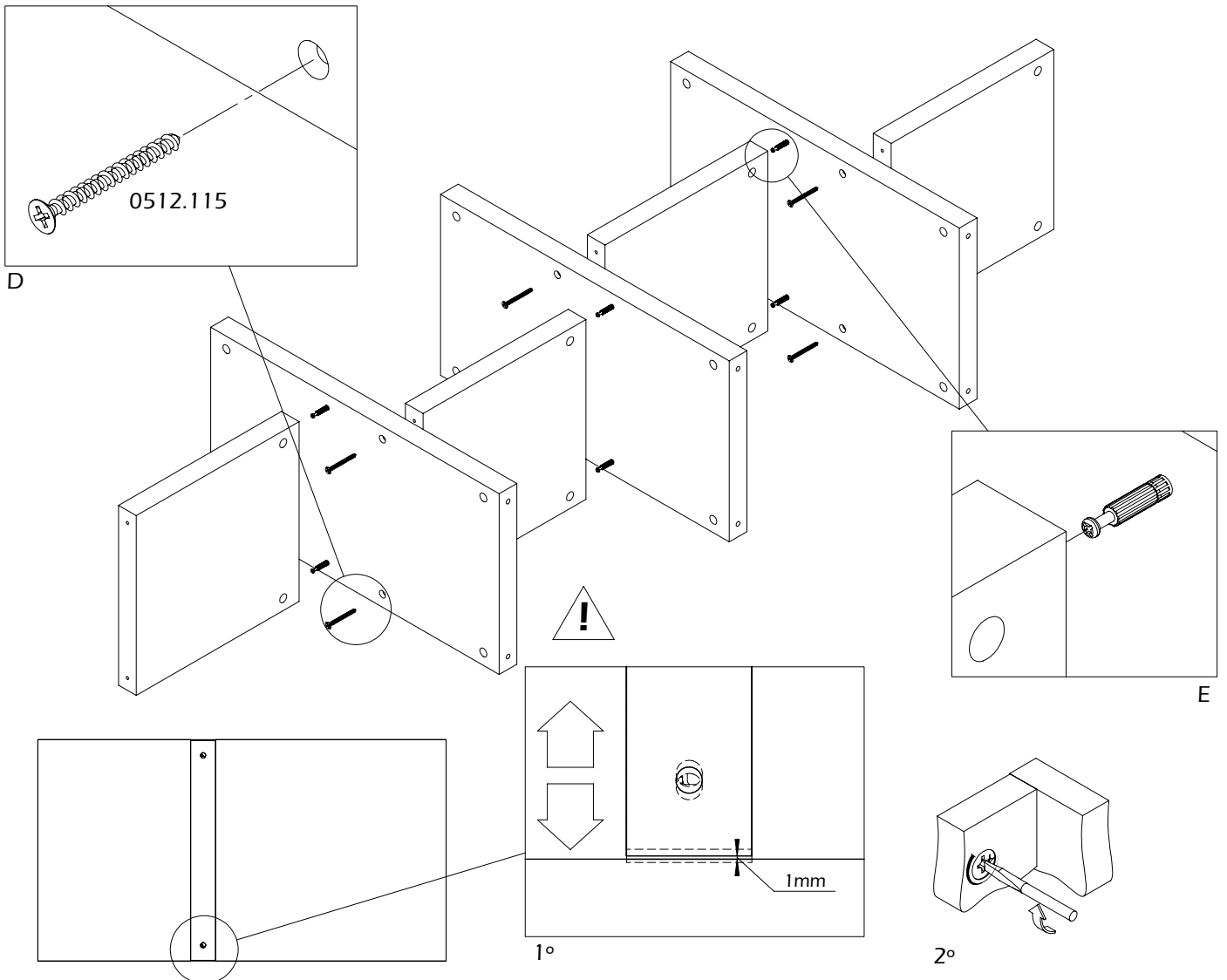


28x/34x	28x/34x	8x/10x	34x	4x
				
0512.041	0512.042	0512.115	0520.009/165	0992.002

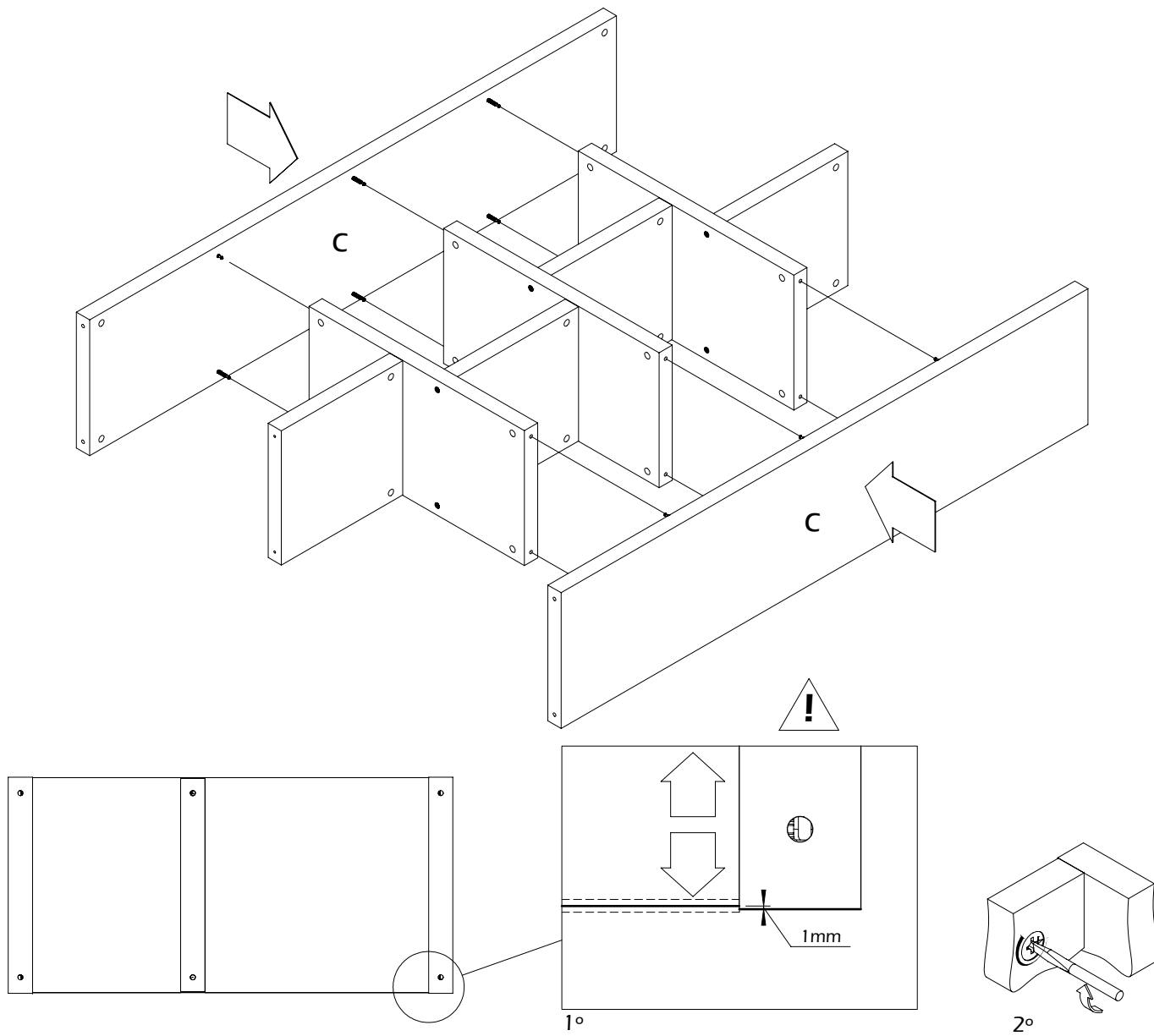
1



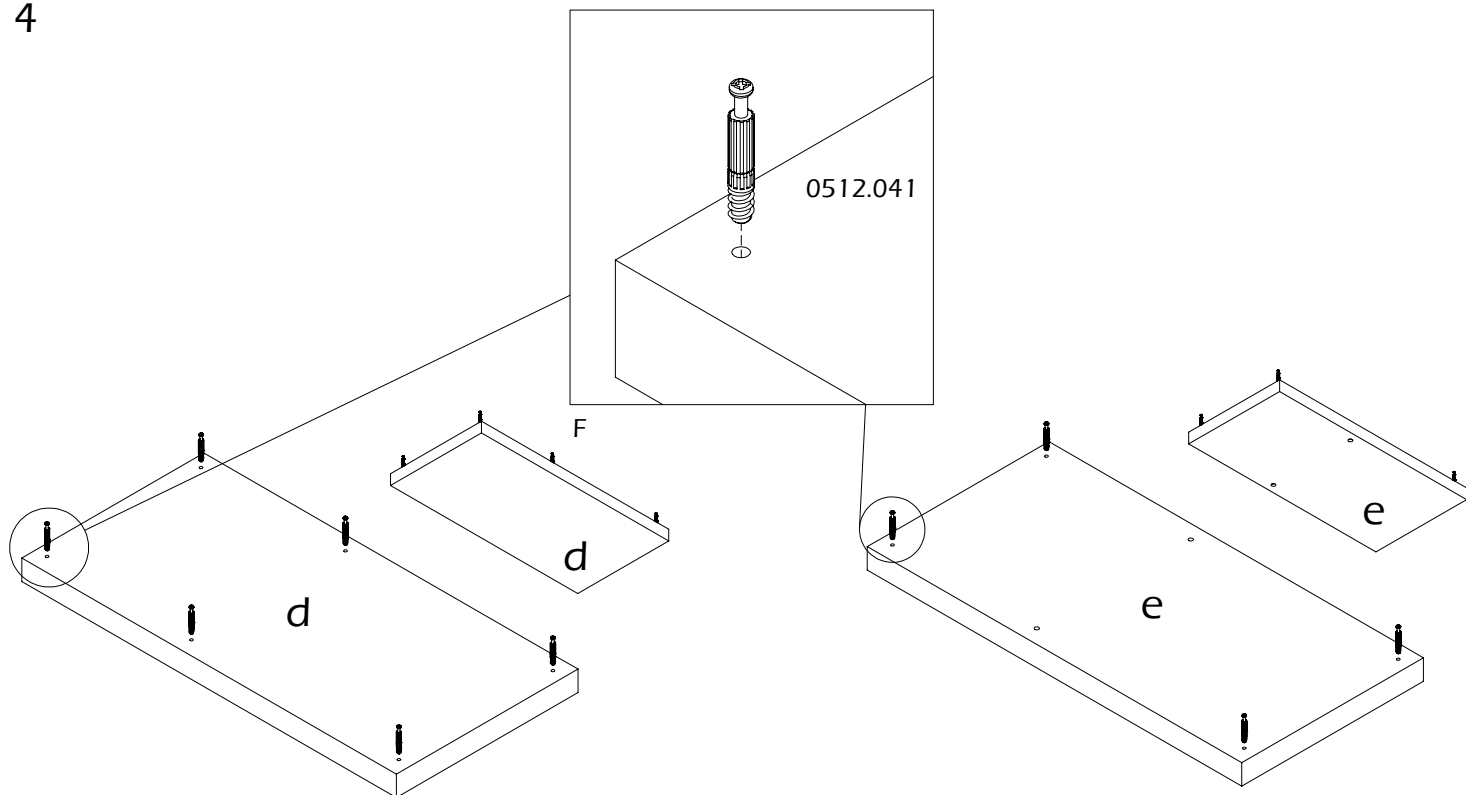
2



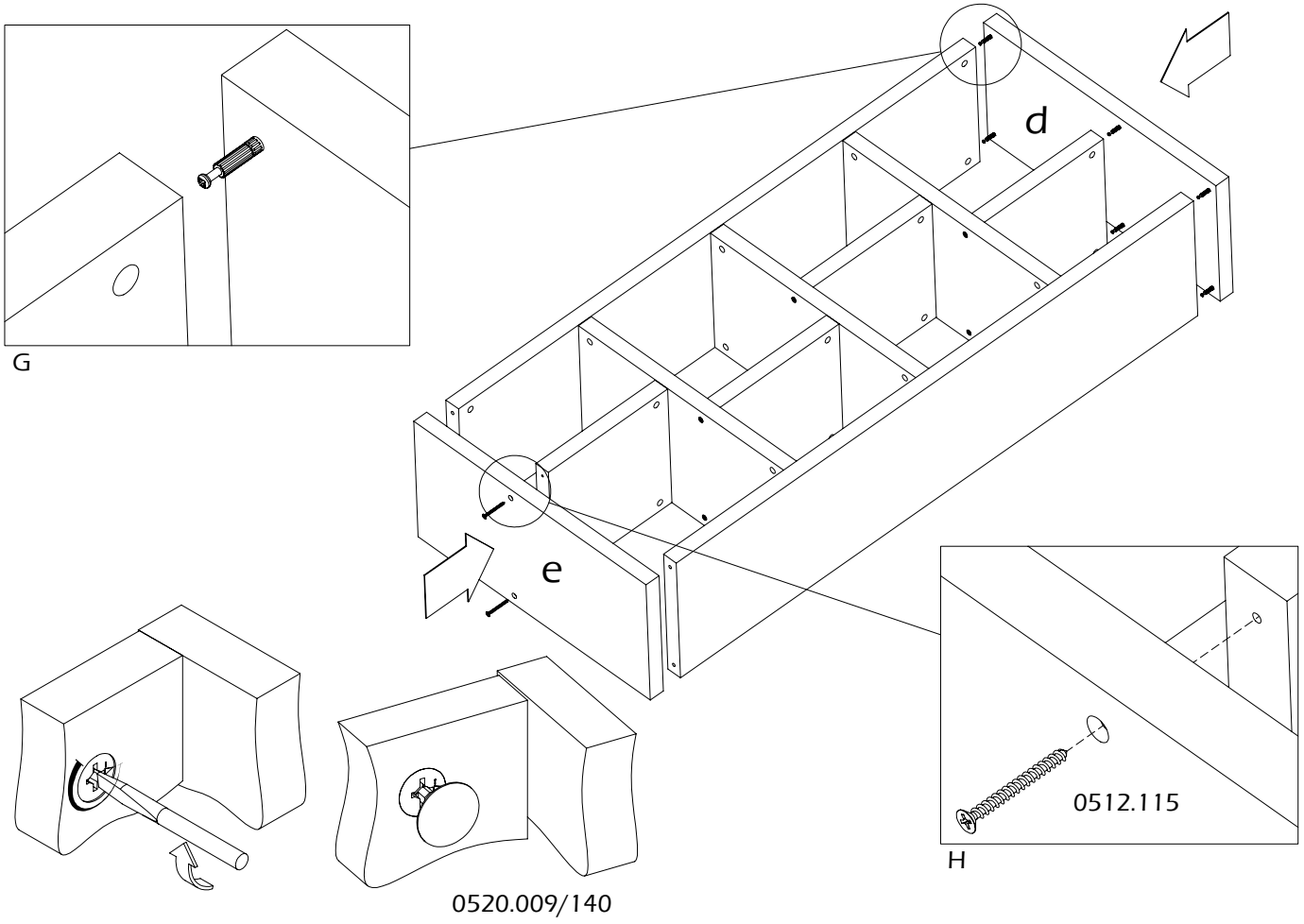
3



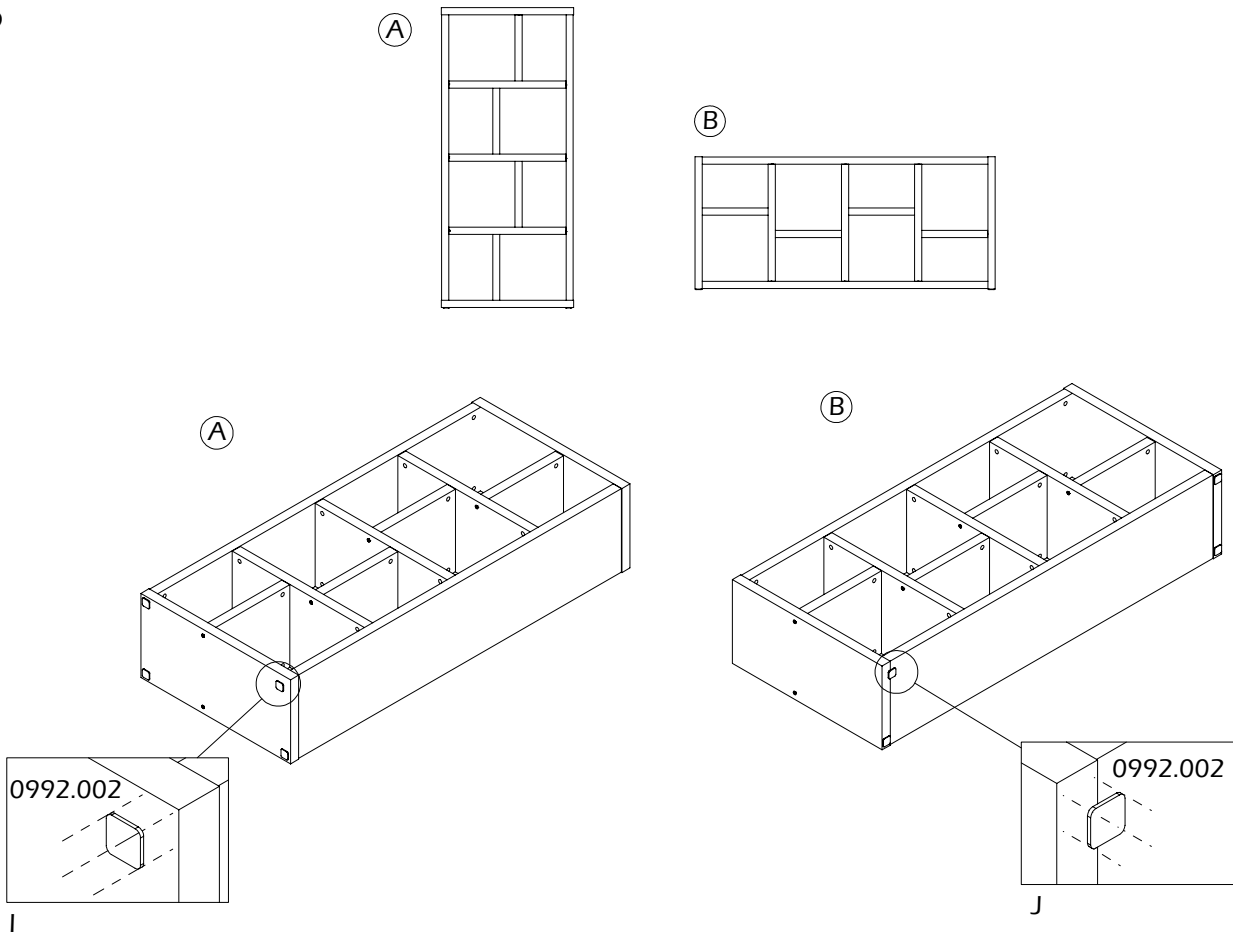
4



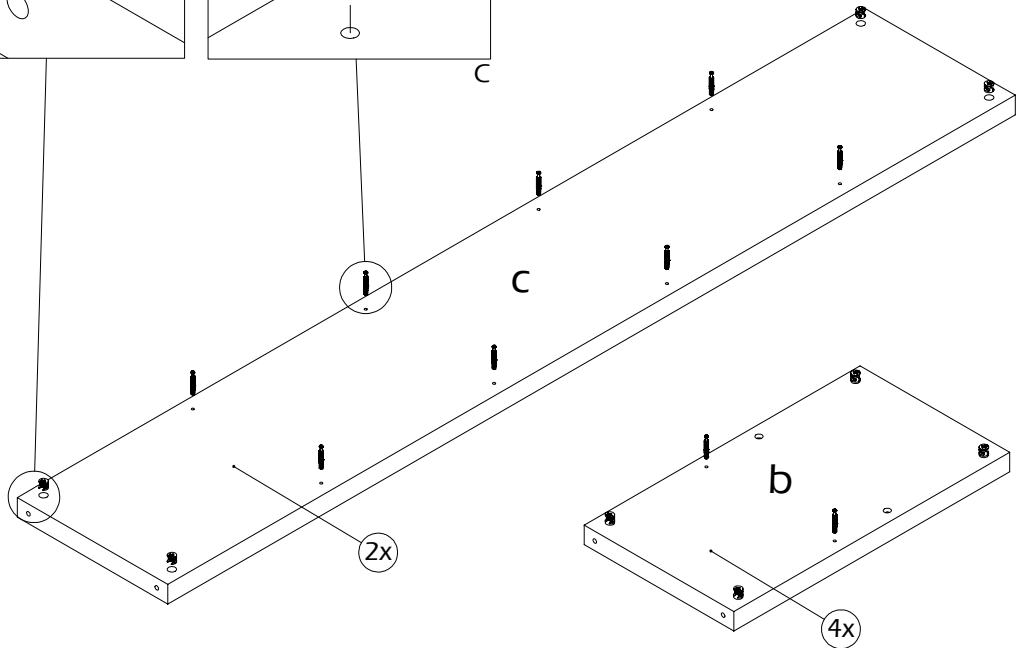
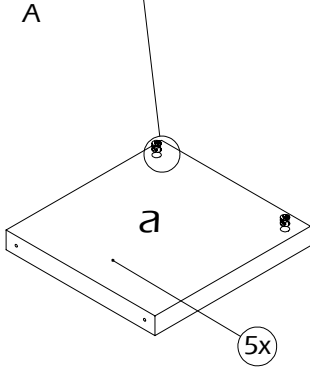
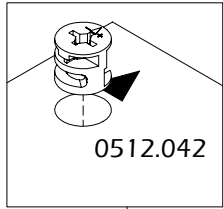
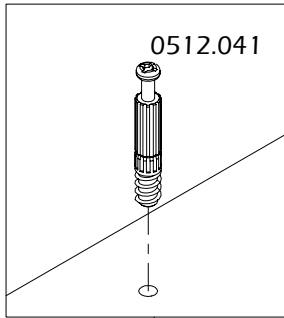
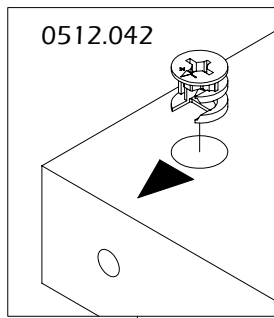
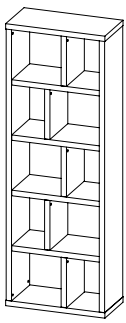
5



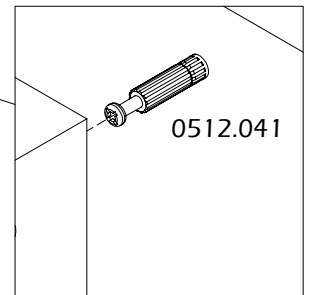
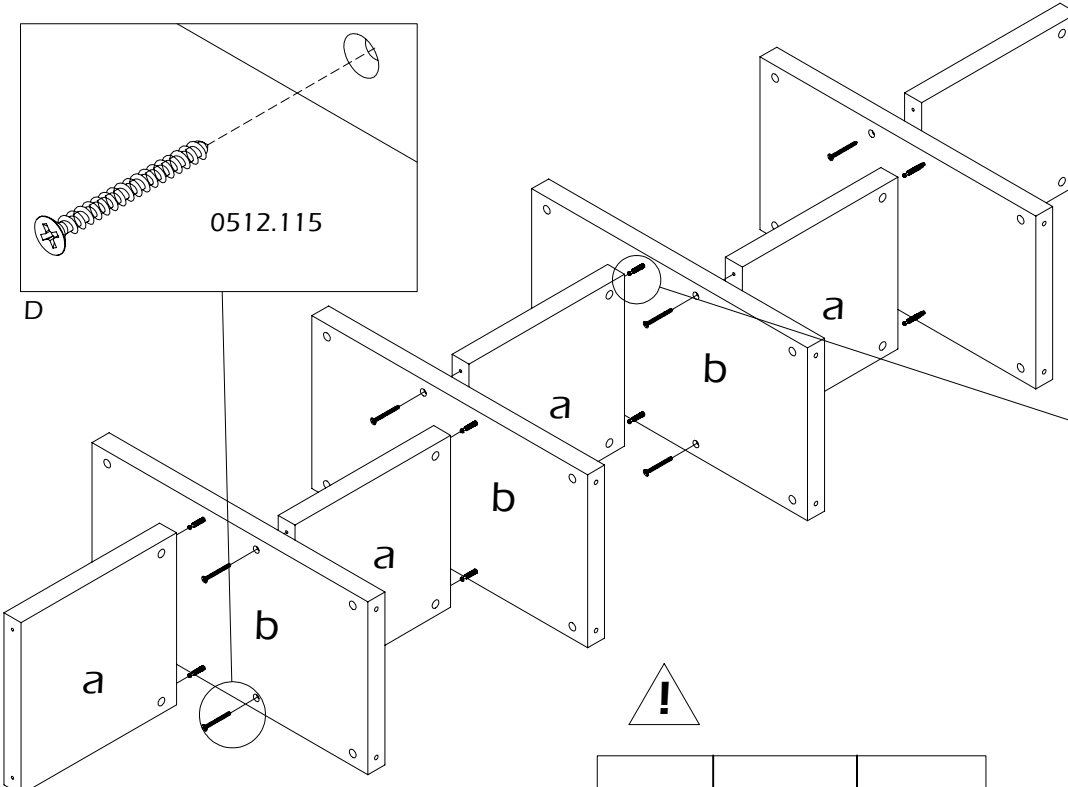
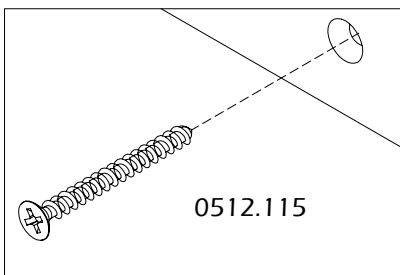
6



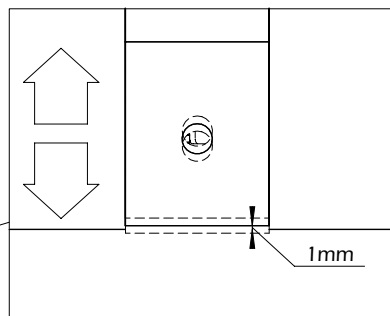
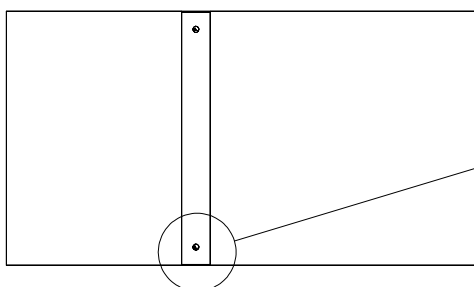
1



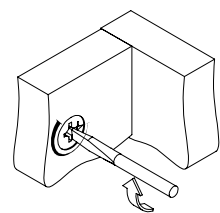
2



E

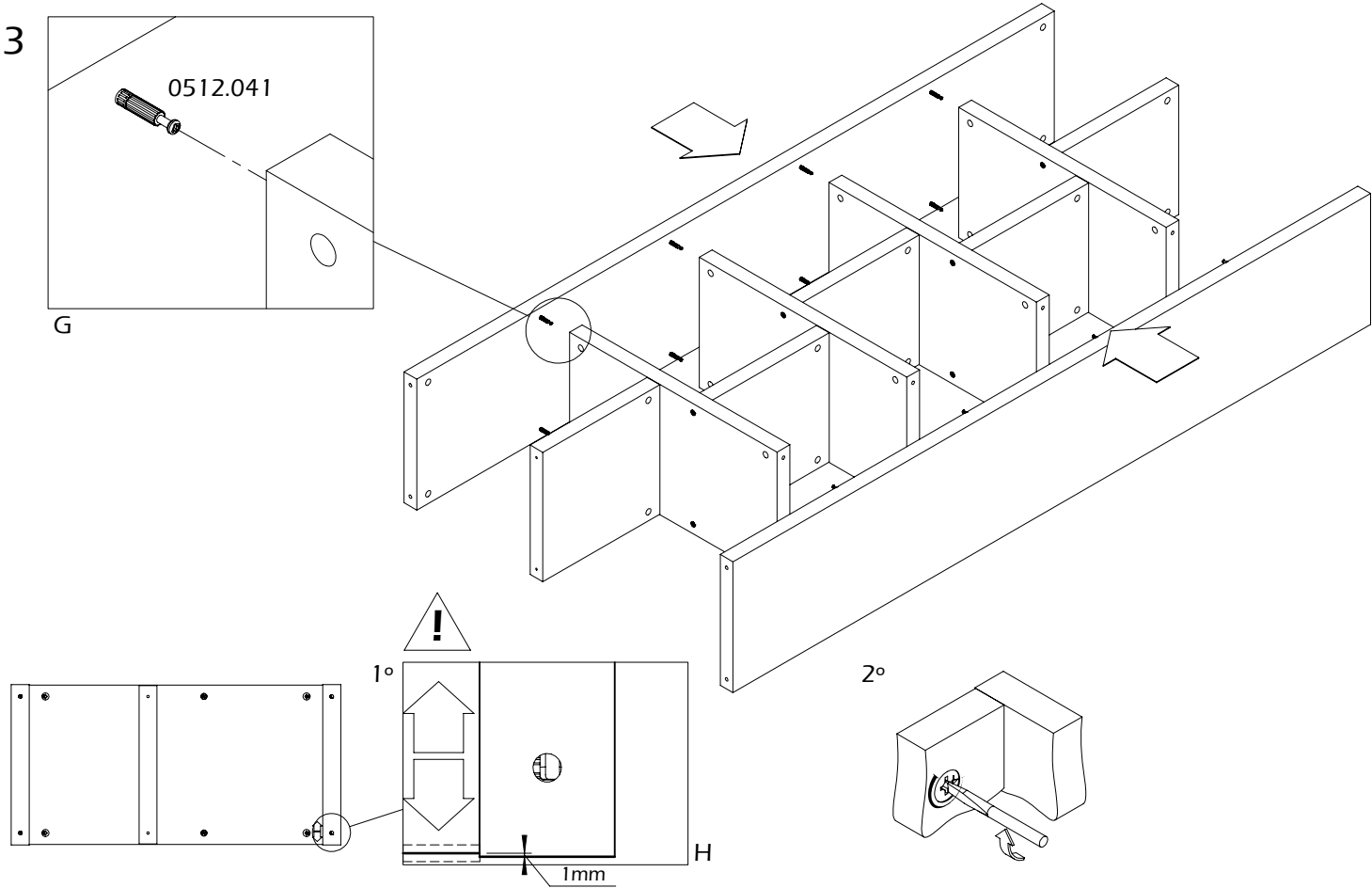


F

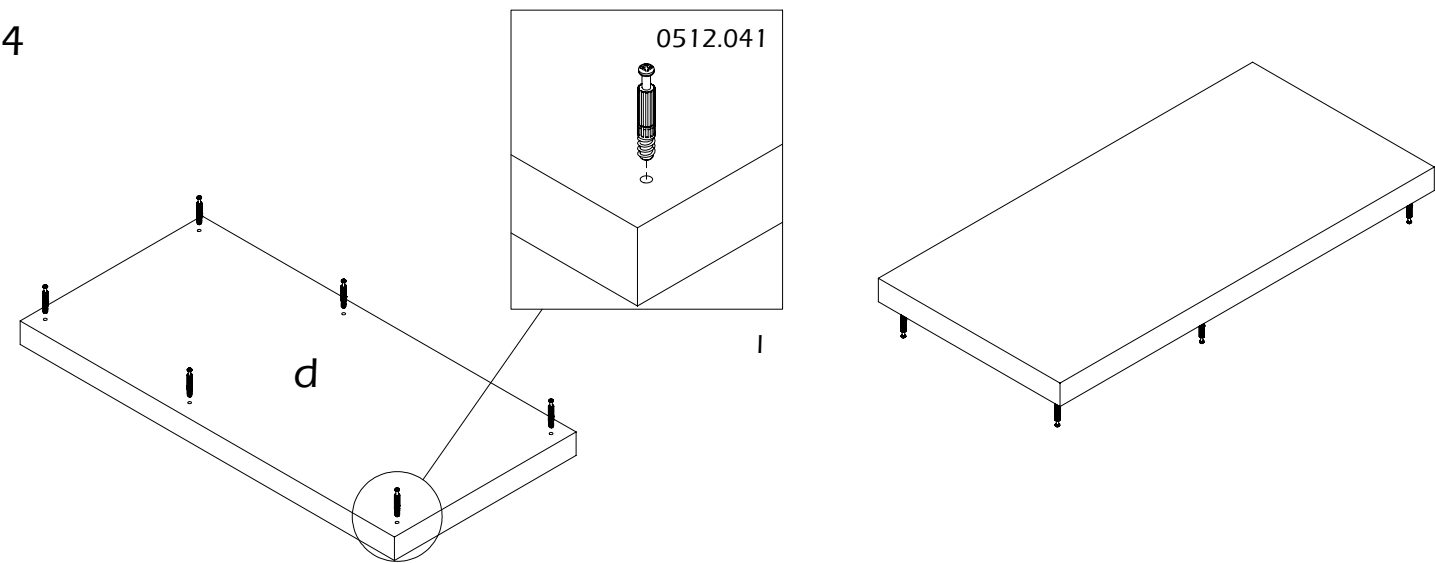


2°

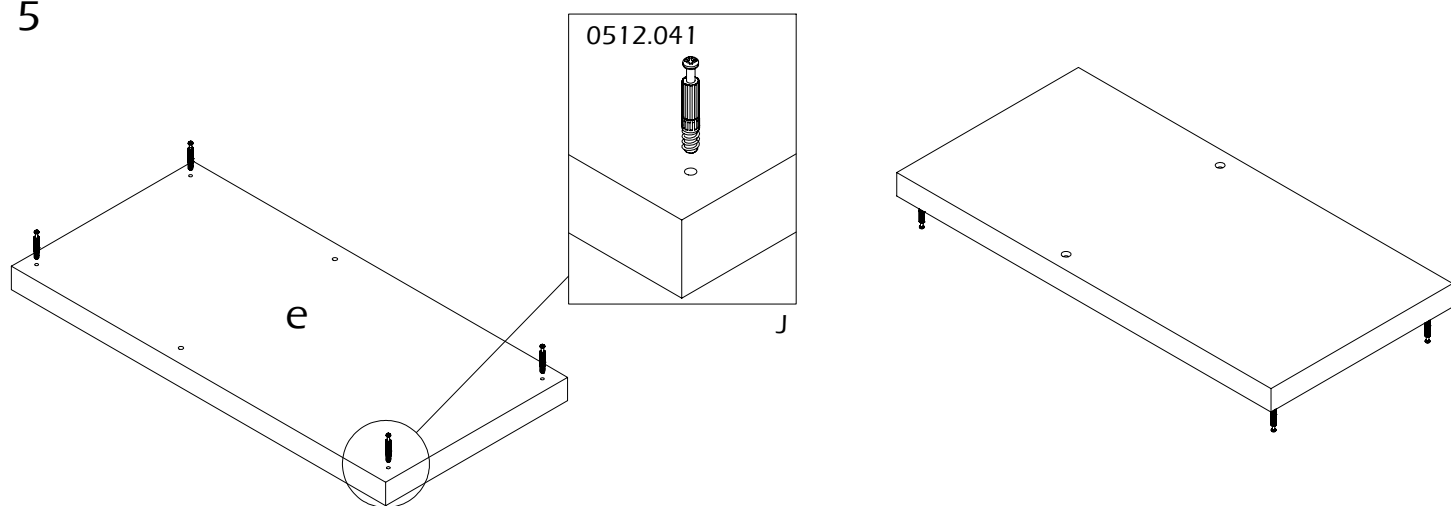
3



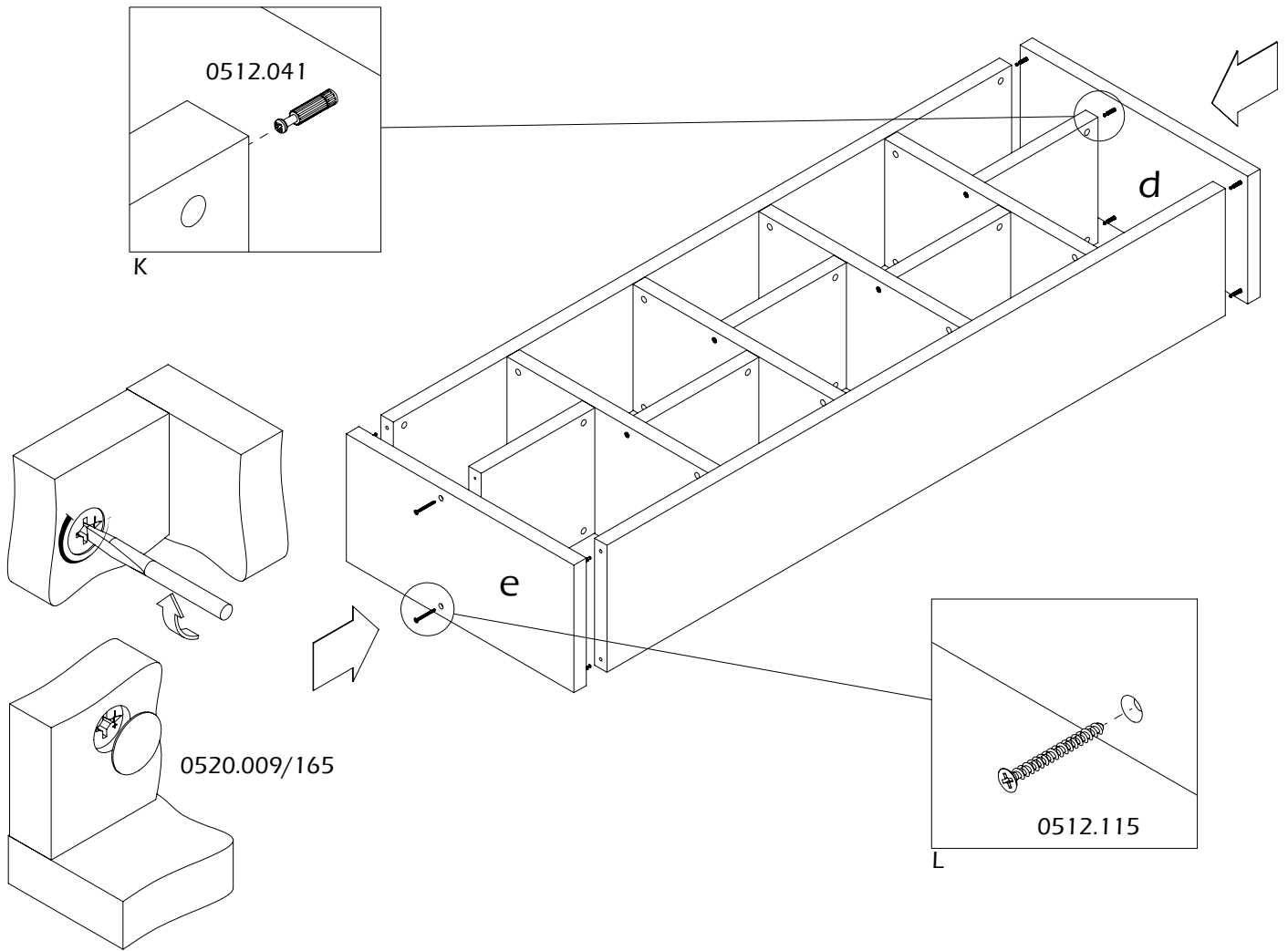
4



5



6



7

