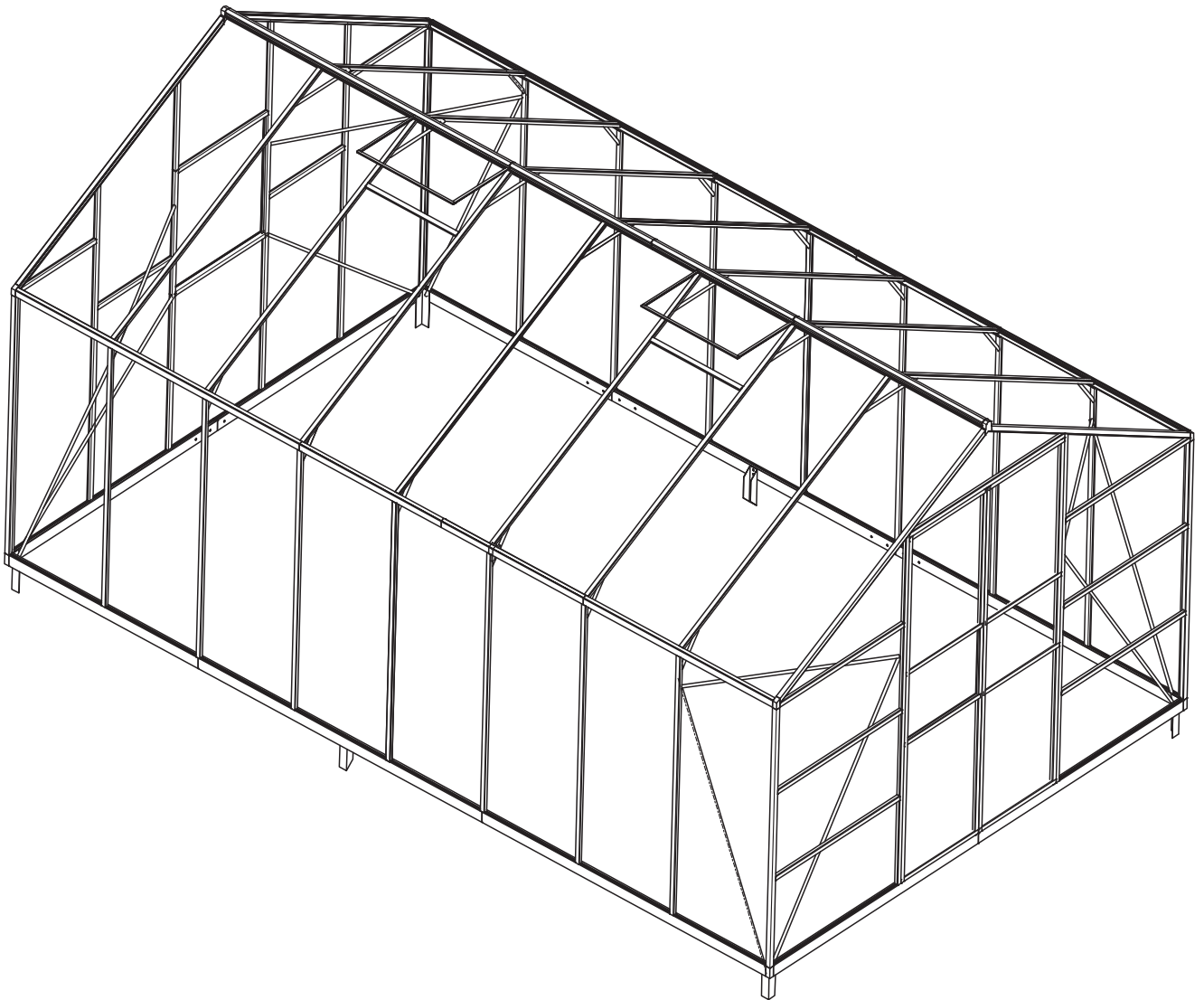
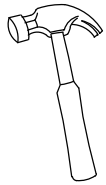
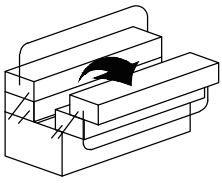


Aluminium Greenhouse
ASSEMBLY INSTRUCTIONS



 **VIWATCustomerService@gmail.com**

Please read all instructions carefully before assembly.
It is best to familiarize yourself with the parts and
collate the appropriate parts for each step.

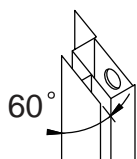
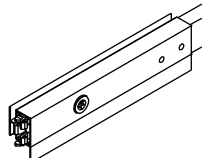
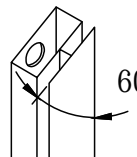
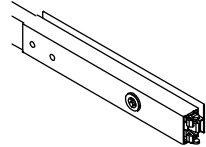
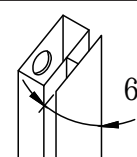
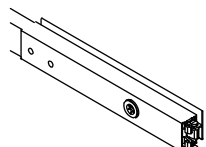
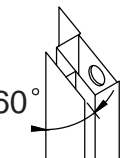
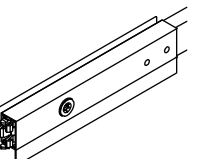
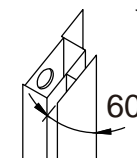
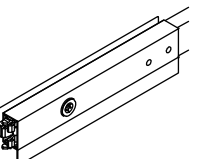
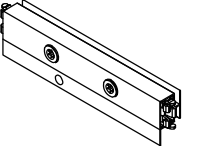


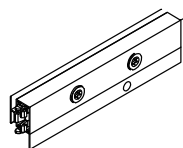
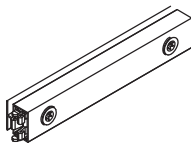
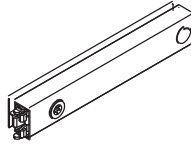
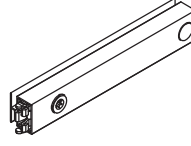
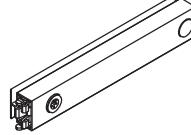
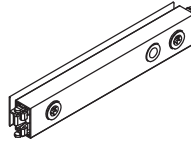
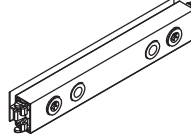
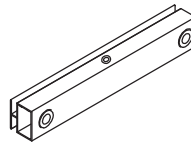
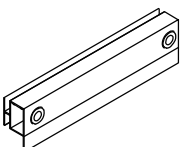
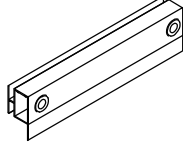
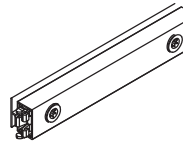
Aluminum Parts :

No.	Picture	Qty.
A1-1		x2
A1-2		x2
A2-1		x2
A2-2		x2
A2-3		x2
A3-1		x2
A3-2		x2
A3-3		x2
A4		x2
A4-1		x1

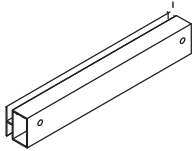
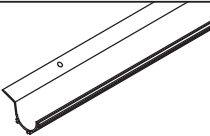
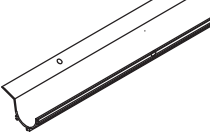
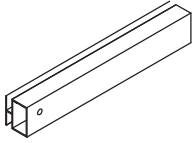
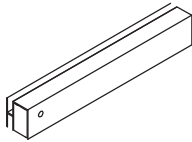


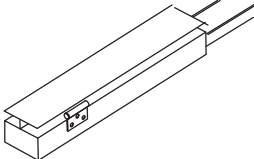
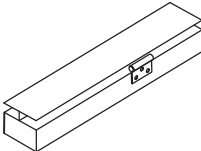
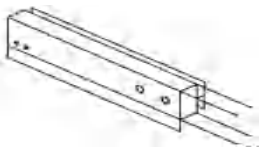
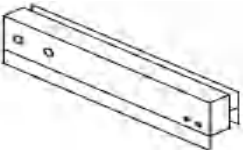
No.	Picture	Qty.
A5-1		x1
A5-2		x1
A5-3		x1
A5-4		x1
A6-1		x1
A6-2		x1
A6-3		x1
A6-4		x1
A7-1		x1
A7-2		x1

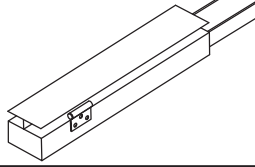
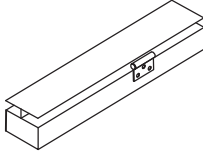

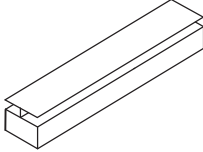
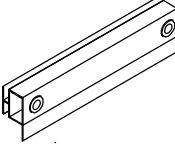
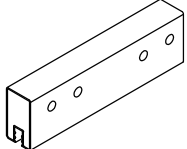
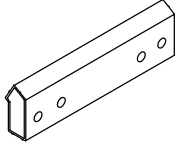
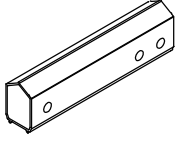
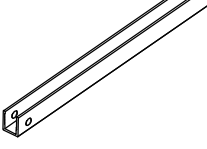
Aluminum Parts:

No.	Picture	Qty.
A7-3		x1
A7-4		x1
A8-1		x1
A8-2		x1
A8-3		x1
A8-4		x1
A9-1		x1
A9-2		x1
A9-3		x1
A9-4		x1
A10-1		x2

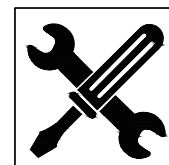
No.	Picture	Qty.
A10-2		x2
A11		x4
A12		x4
A13		x2
A14		x2
A15		x14
A16		x10
A17		x2
A18-1		x1
A18-2		x1
A19		x2

Aluminum Parts:

No.	Picture	Qty.
A20		x4
A21		x4
A21-1		x2
A22-1		x1
A22-2		x1
A22-3		x1
A22-4		x1
A23-1		x1
A23-2		x1
A23-3		x1
A23-4		x1

No.	Picture	Qty.
A24-1		x1
A24-2		x1
A24-3		x1
A24-4		x1
A25		x1
A26		x6
A27		x4
A28		x2
A30-2		x2

Plastic Parts:



No.	Picture	Qty.
H1		x4
H2-1		x2
H3-1		x2










No.	Picture	Qty.
H4		x6
H5		x2
C5		x4

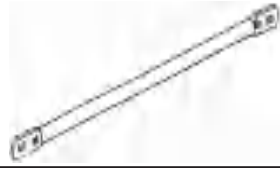



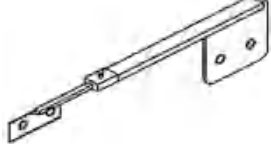


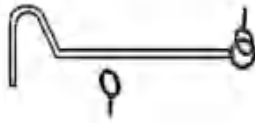
Hardware:

No.	Picture	Qty.	Size
H6		x34	M6x30
H7		x1	
H8		x110	M6x12
H9		x50	M6
H11		x36	ST4x10
H12		x16	ST5x10
H13		x18	ST5x16
H14		x1	

No.	Picture	Qty.	Size
H15		x1	
H16		x2	
H17		x4	
H18		x22	M6x20
H19		x4	
H20		x2	M4x38
H30-1		x2	

Hardware :


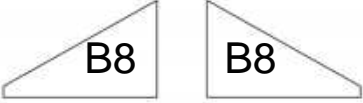

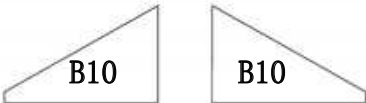



No.	Picture	Qty.
C1		x4
C2		x2
C3-1		x2
C6		x14
C7		x4
C8		x2
C9		x4
C10		x2
C11		x2

No.	Picture	Qty.
C12		x2
C13		x2
C14		x14
C15		x7
C16		x1
C17		x1
C18		x1
C19		x2

Twin PC Board:

The white film faces
outwards if applicable.

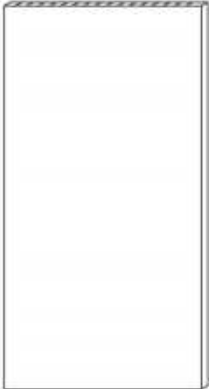

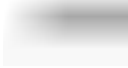



No.	Picture	Qty.	
B		B1	6PCS
		B2	2PCS
		B3	16PCS
		B4	14PCS
		B5	2PCS
		B7	2PCS
		B8	1PC
			1PC
		B9	1PC
		B10	1PC
		B10	1PC
	B13	1PC	
	B6	2PCS	
	B11	2PCS	

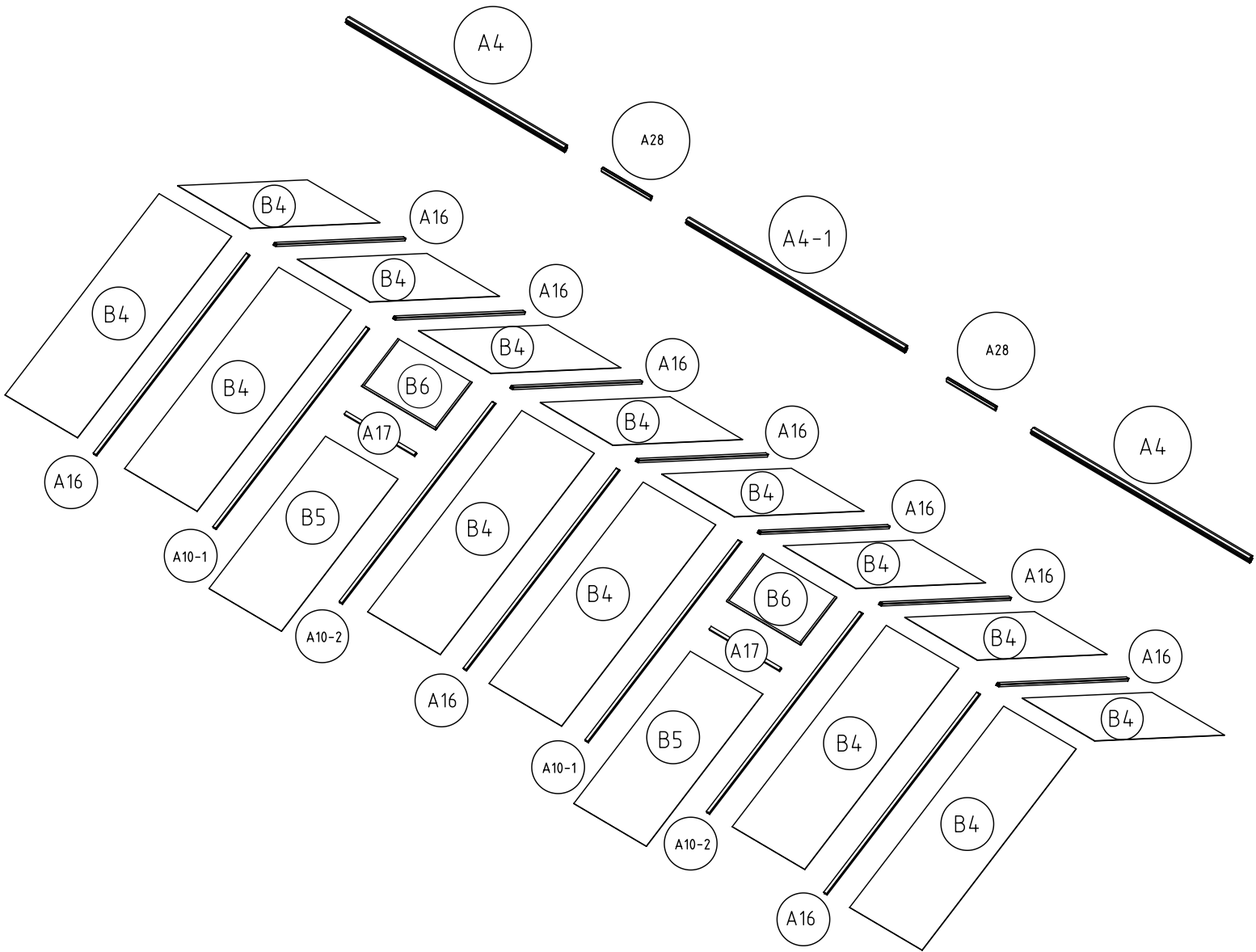
Twin PC Board:

The white film faces outwards if applicable.

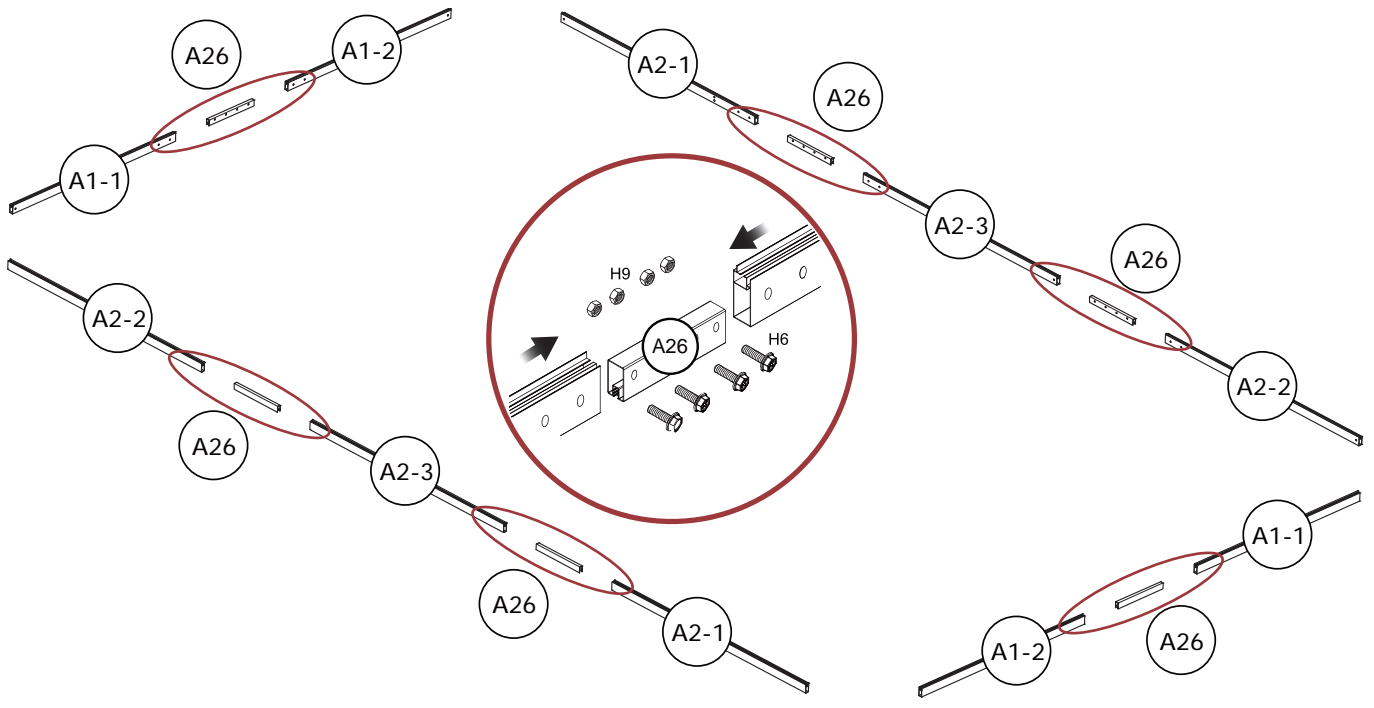




No.	Picture	Qty.	
B		B12	
		B14	
		B15	
		B16	4PCS

ROOF SECTION

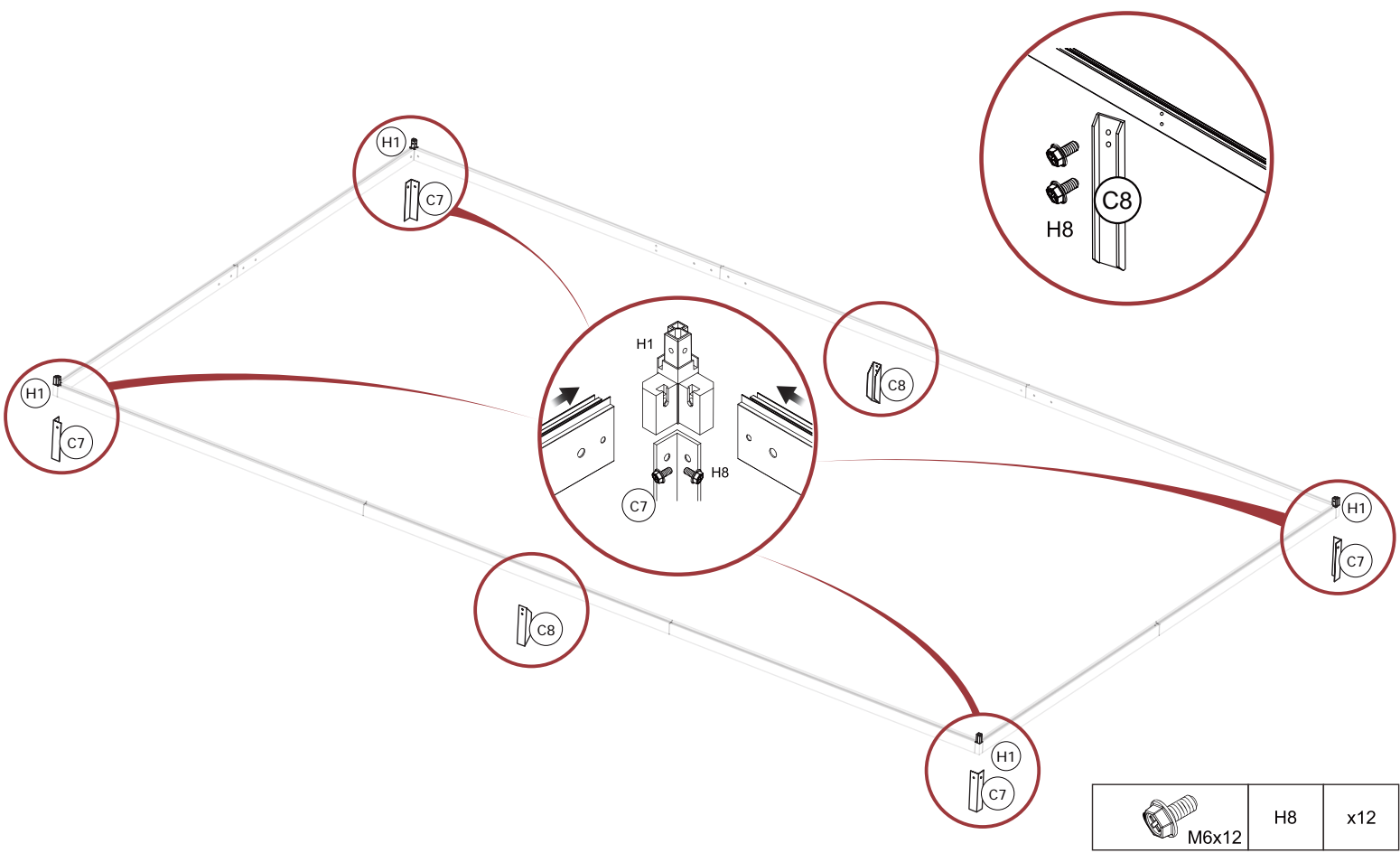


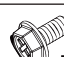
STEP 1



 M6x30	H6	x24
 M6	H9	x24

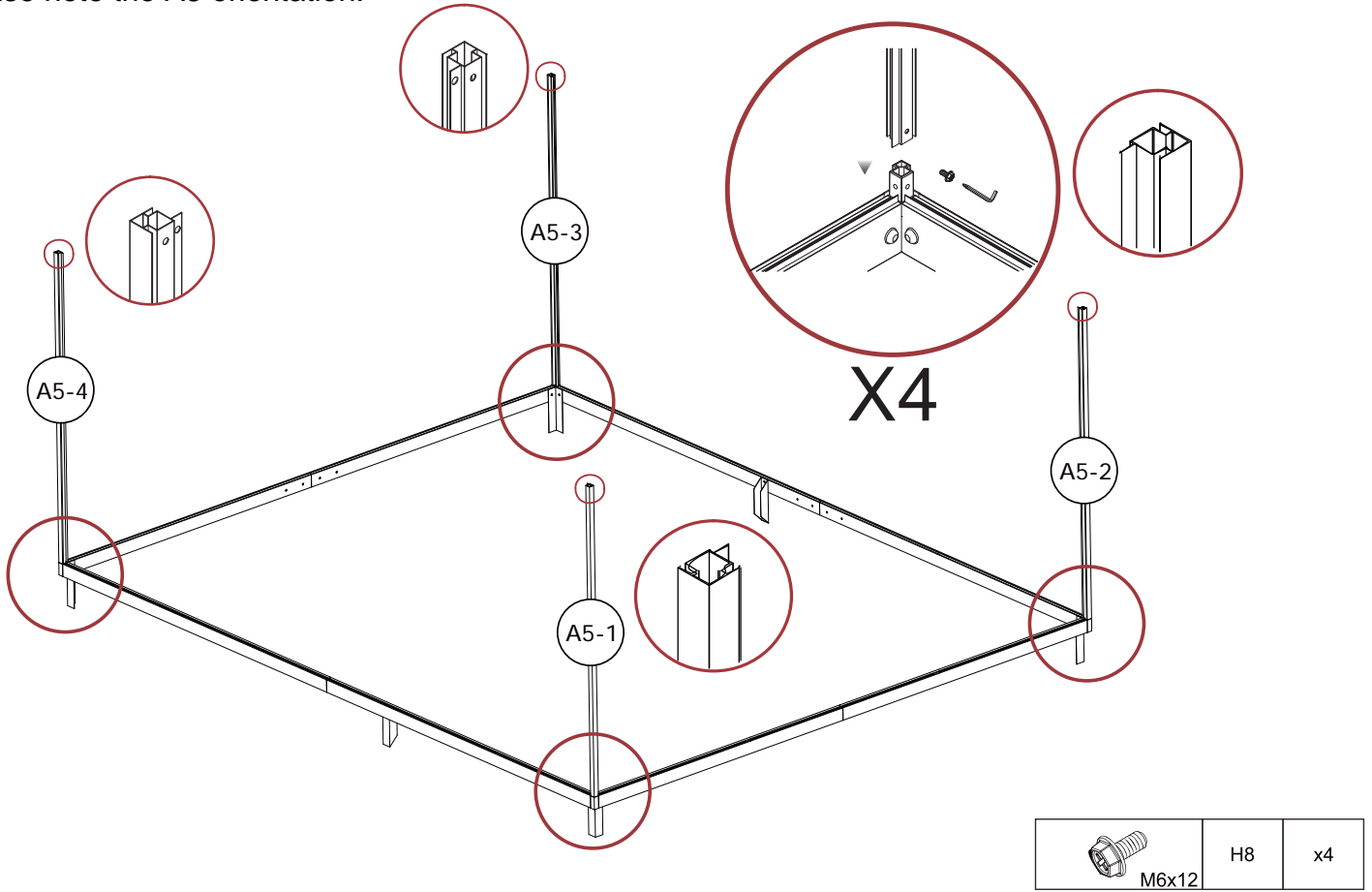
STEP 2



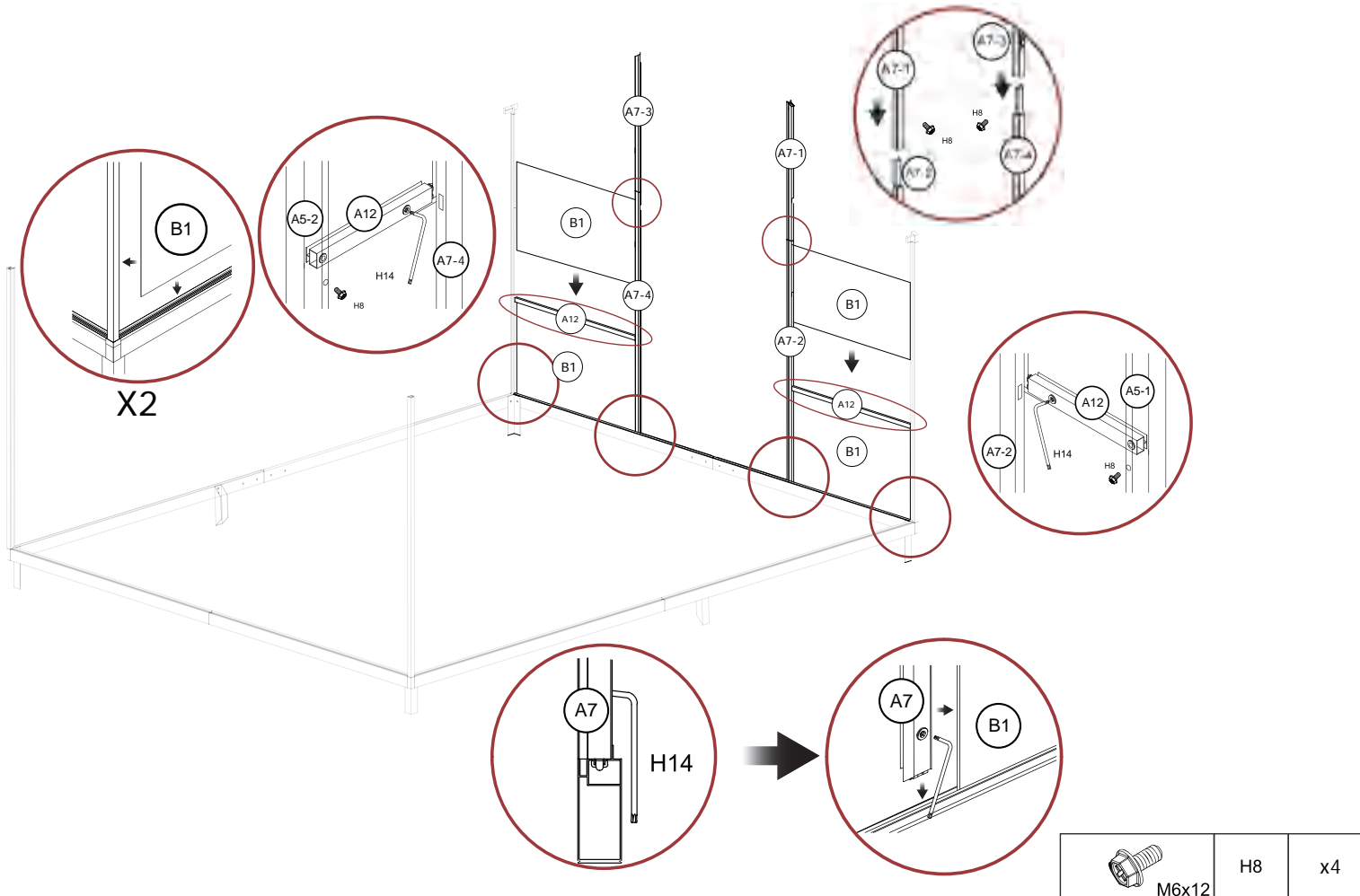
 M6x12	H8	x12
---	----	-----

STEP 3

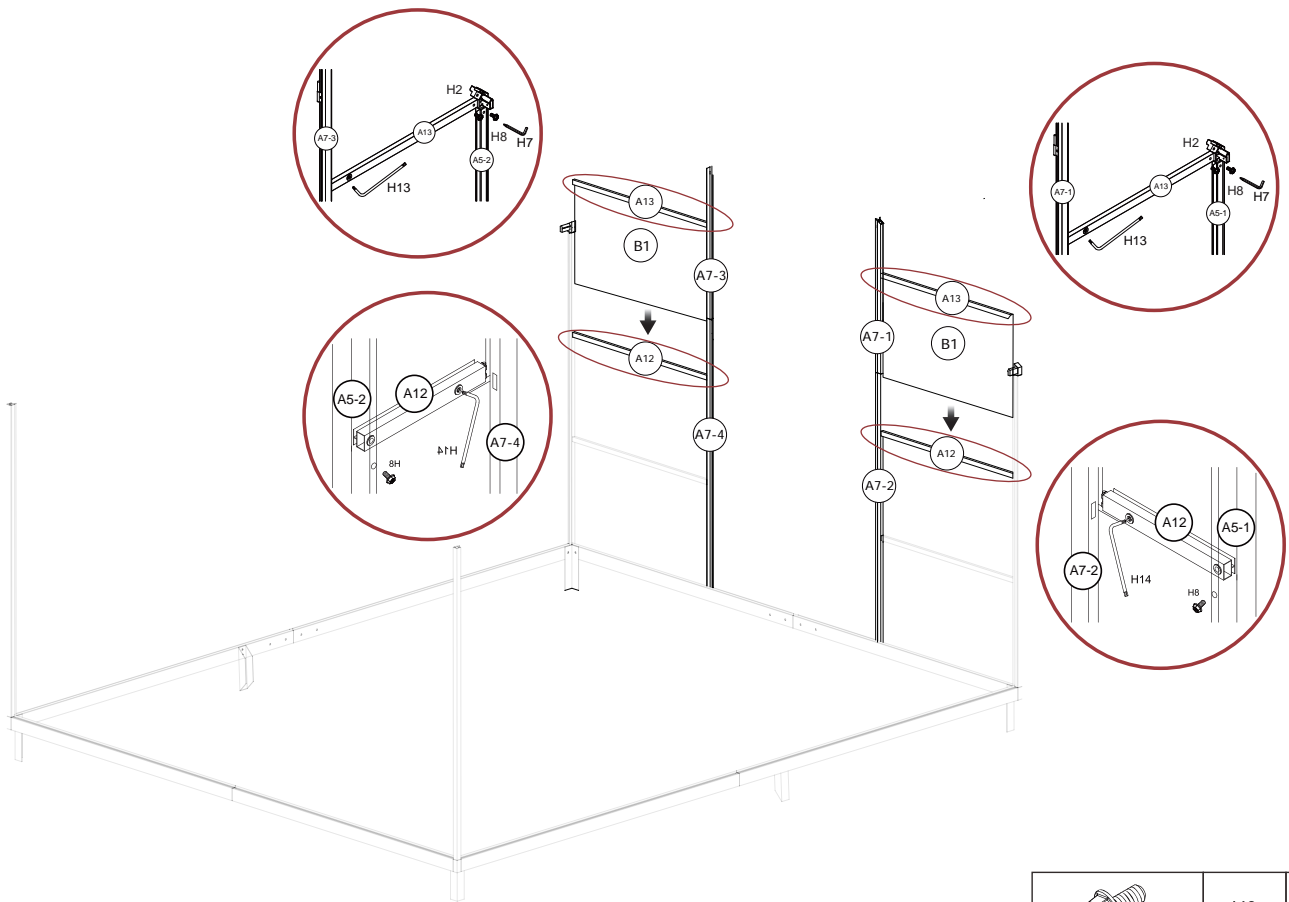
Please note the A5 orientation.




STEP 4



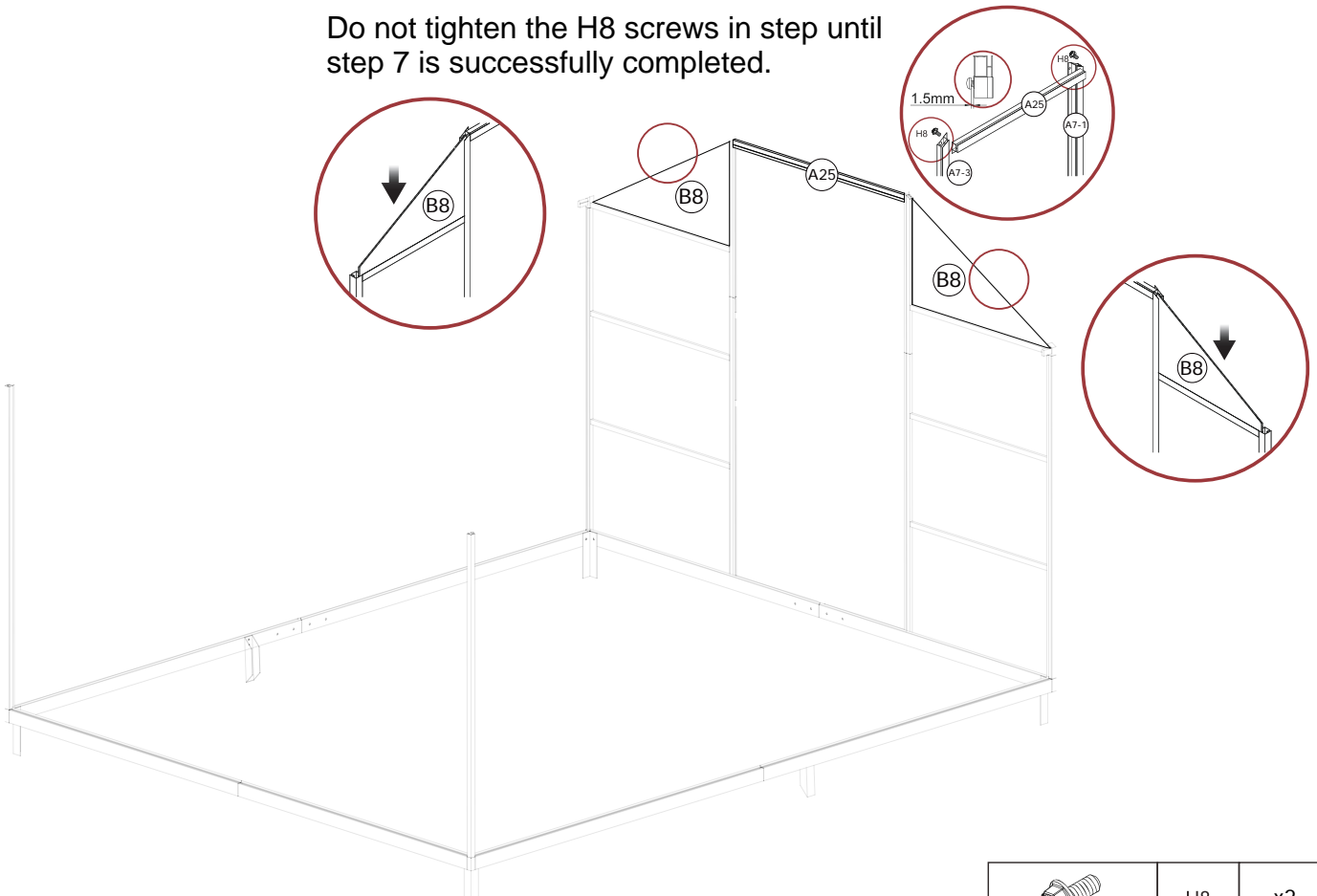
STEP 5




	H8	x4
M6x12		

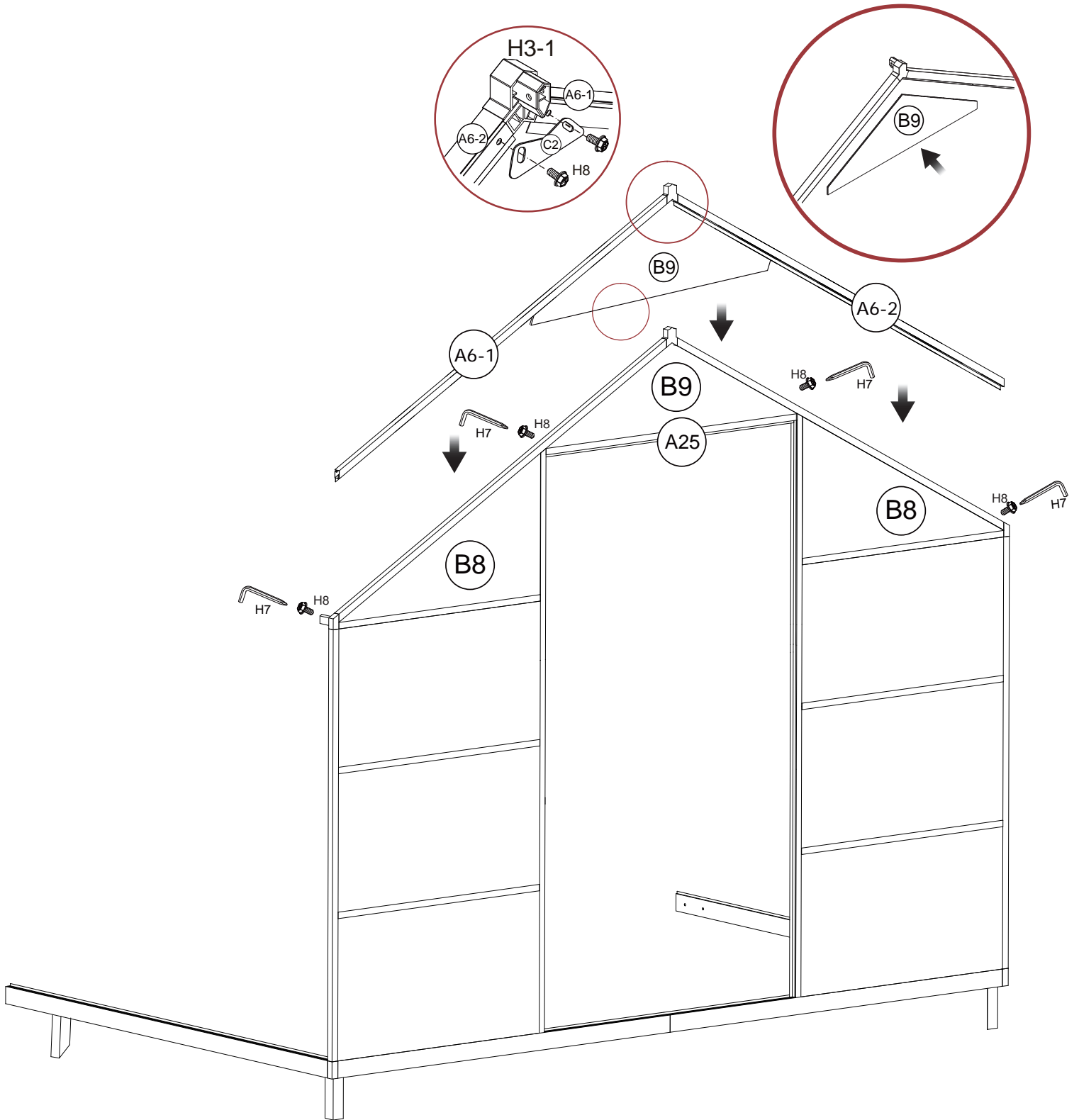
STEP 6


Do not tighten the H8 screws in step until step 7 is successfully completed.



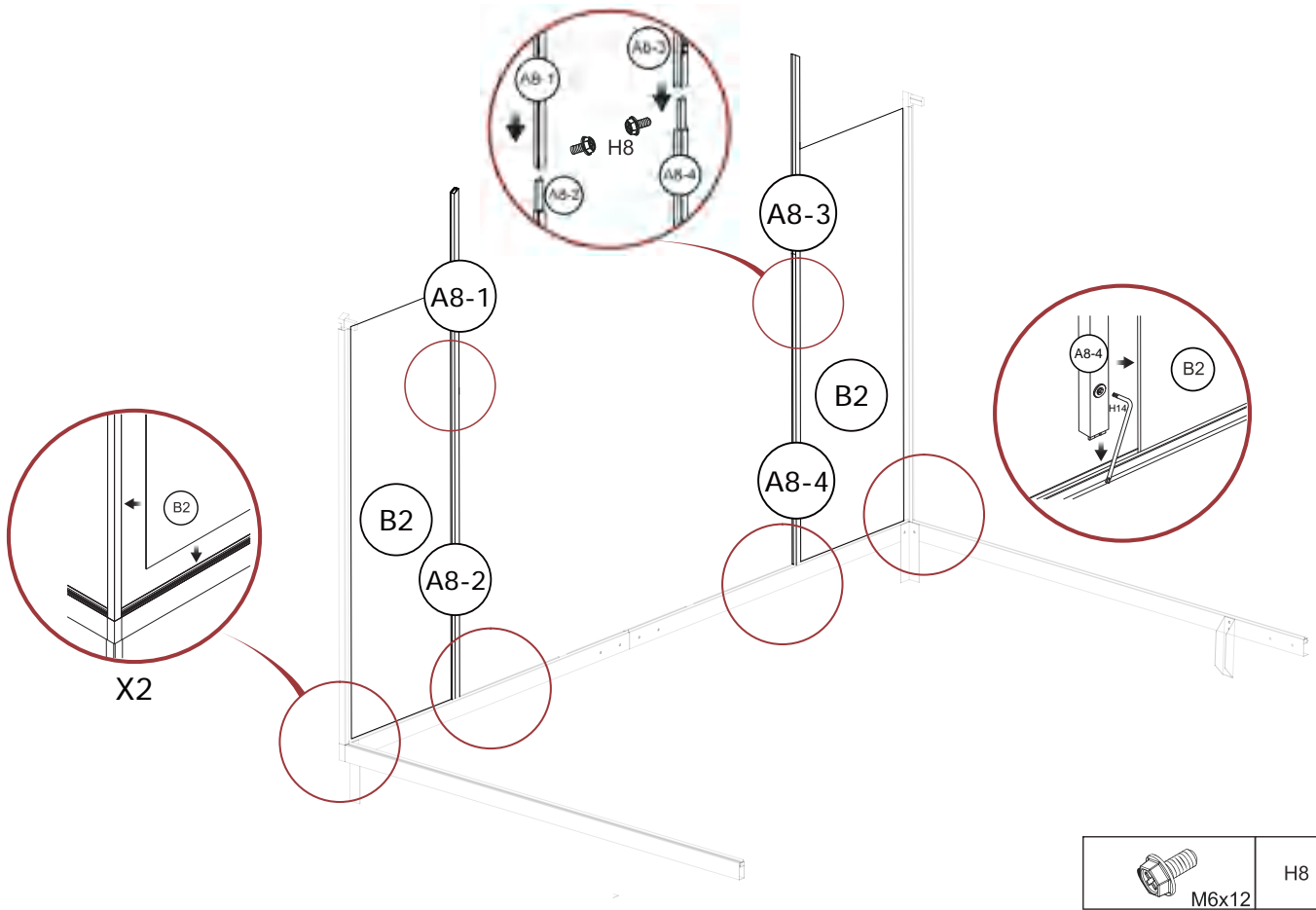
	H8	x2
M6x12		

STEP 7

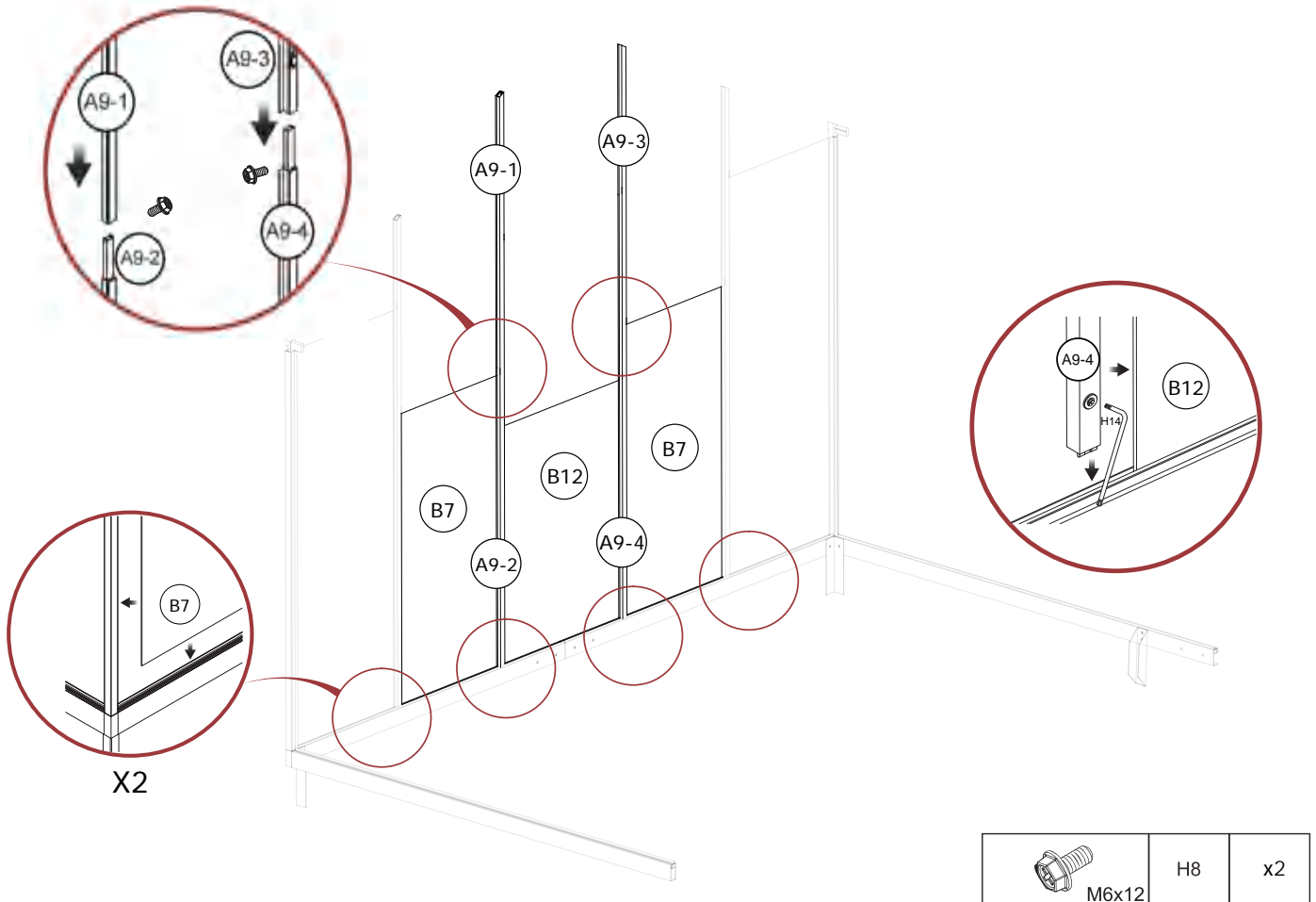


 M6x12	H8	x6
--	----	----

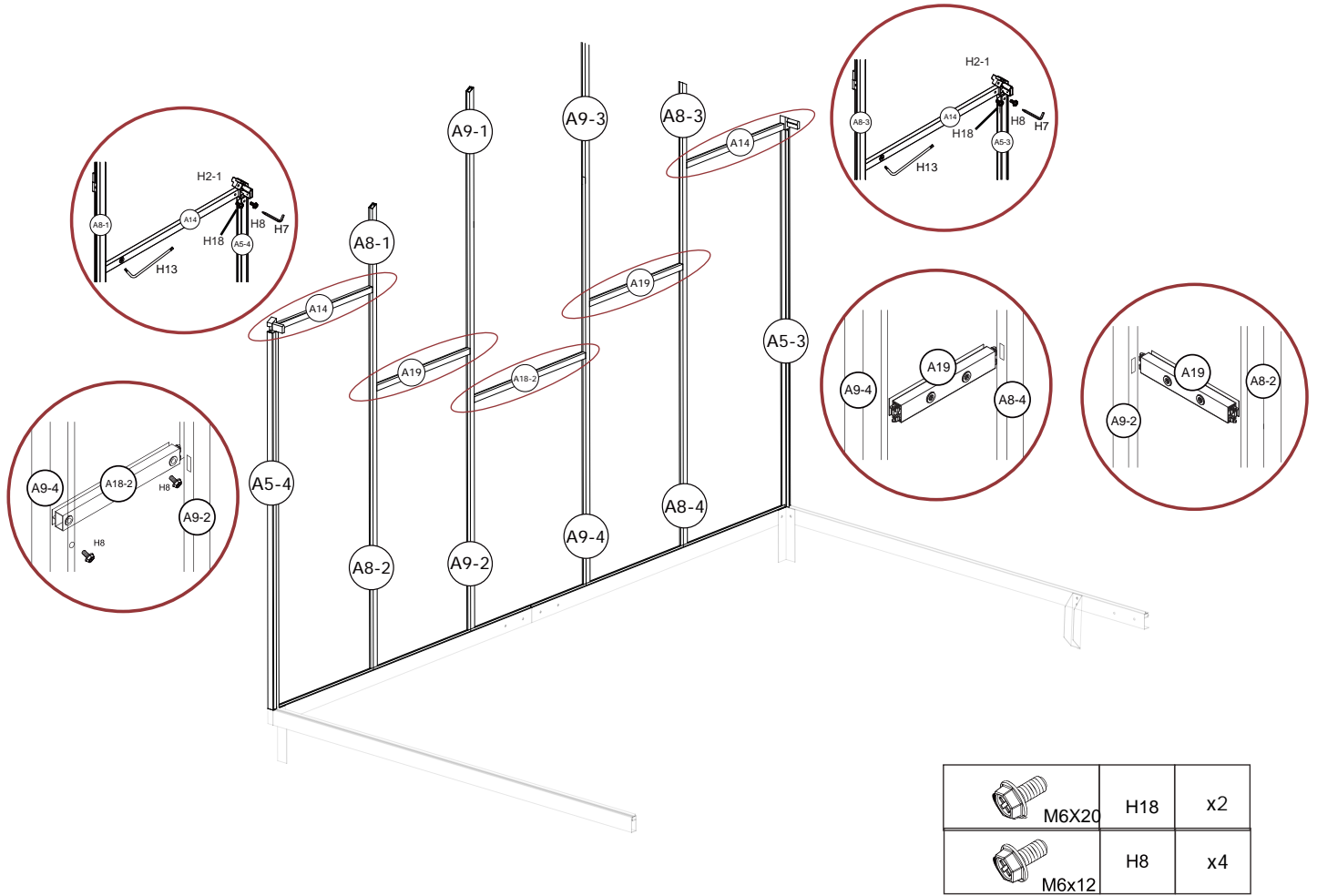
STEP 8





STEP 9

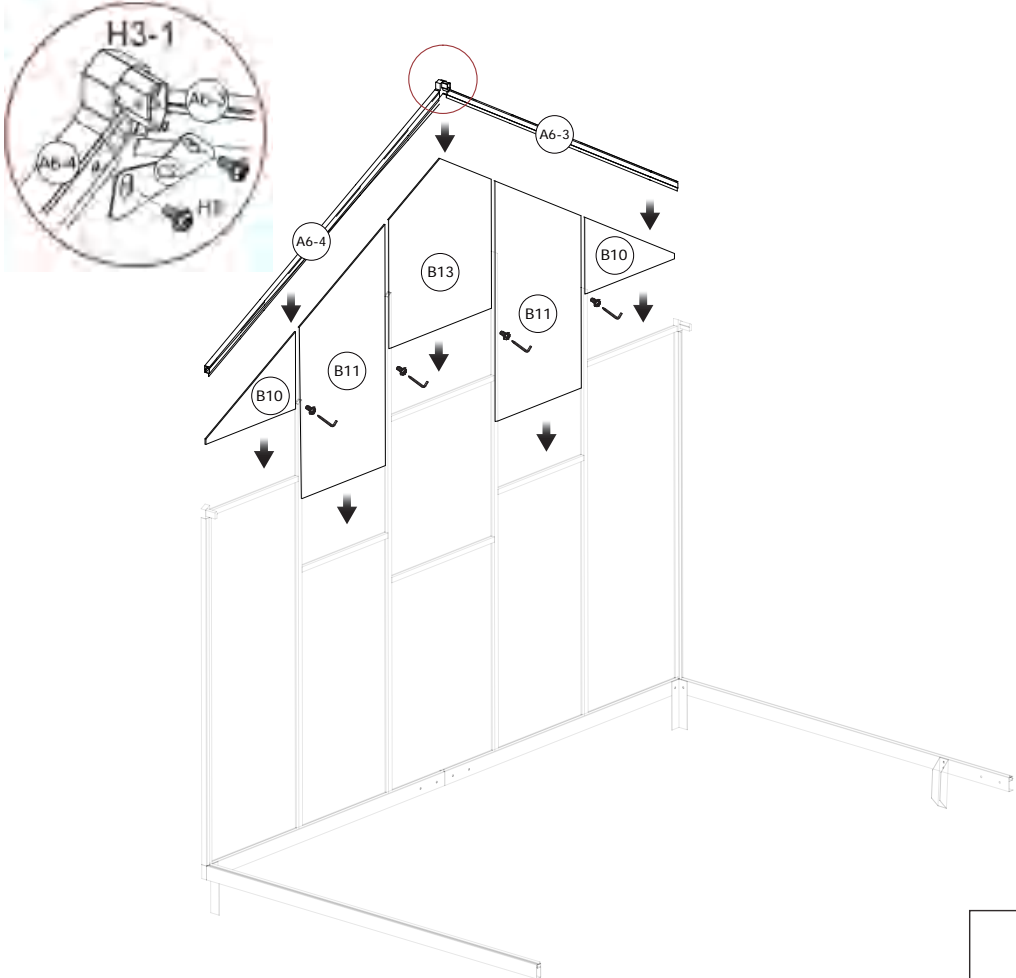



STEP 10



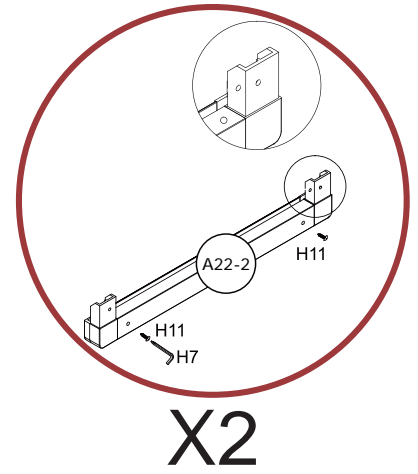
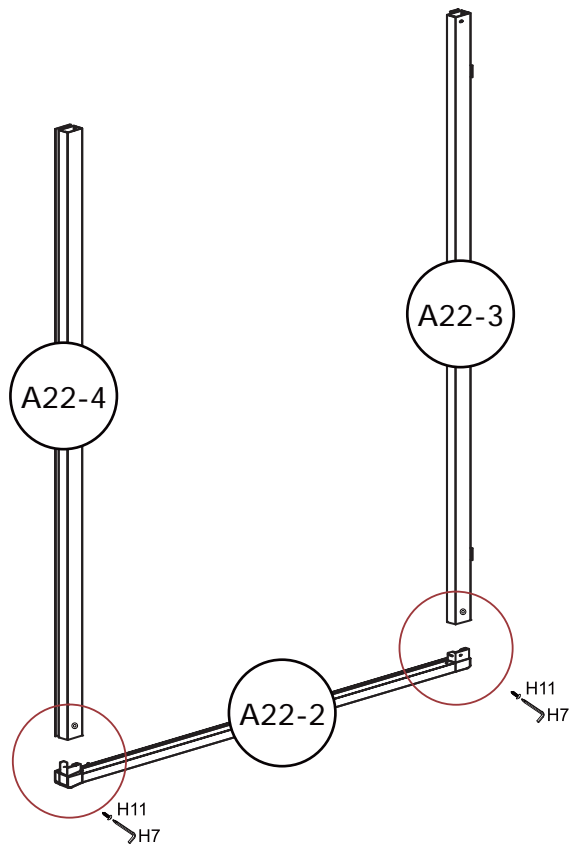
	M6x20	H18	x2
	M6x12	H8	x4

STEP 11



	M6x12	H8	x8
---	-------	----	----

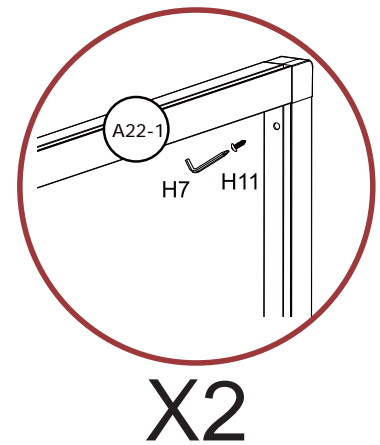
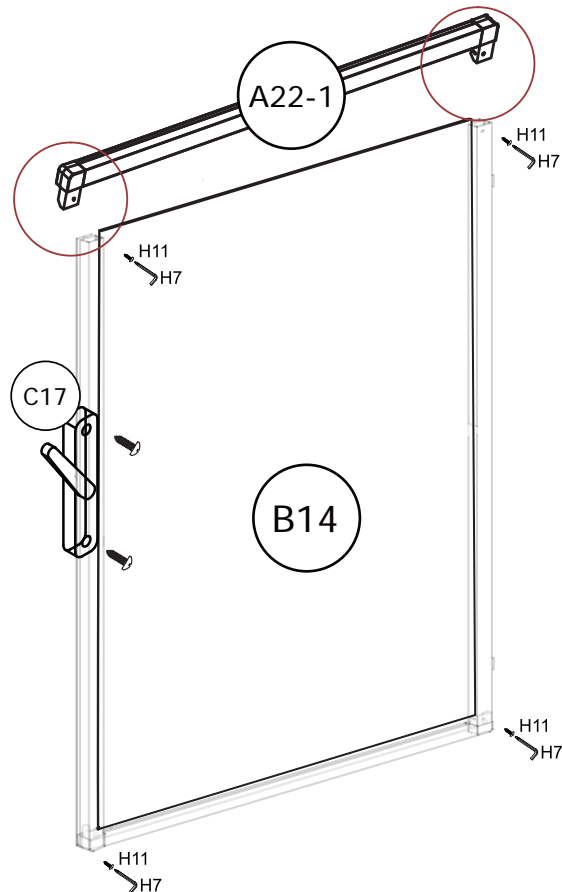
STEP 12



		H11	X4
--	--	-----	----

St4x10

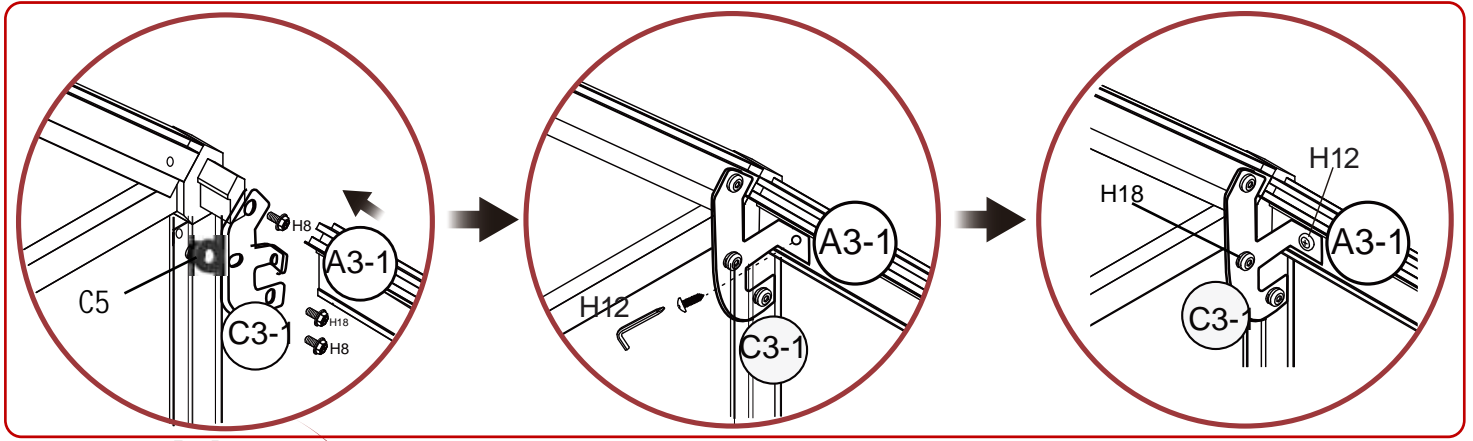
STEP 13



		H11	X4
--	--	-----	----

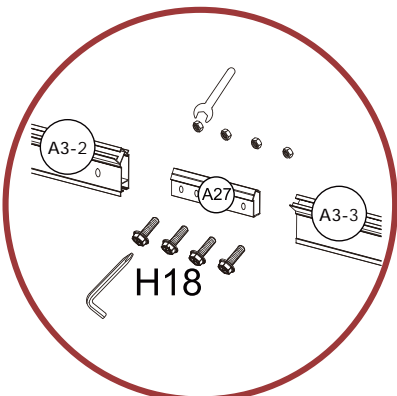
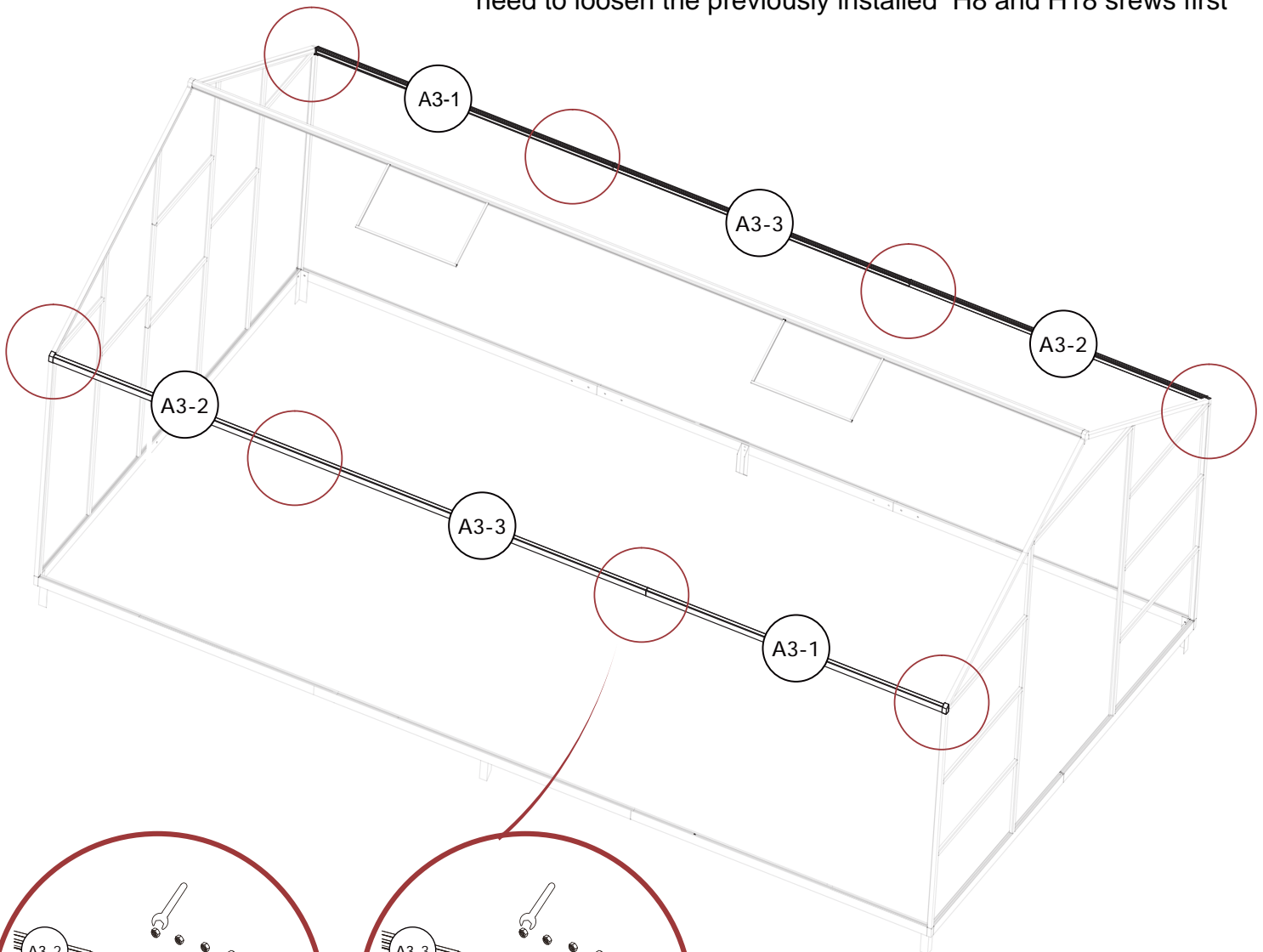
St4x10

STEP 14

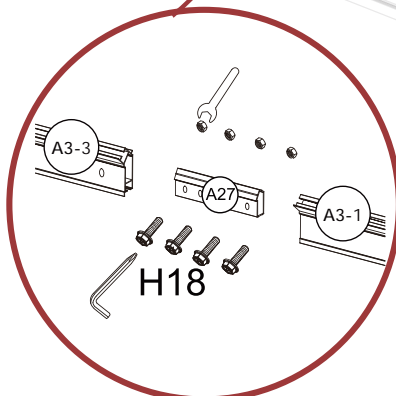


X4



To install the C3-1 reinforcement, you need to loosen the previously installed H8 and H18 screws first



X2

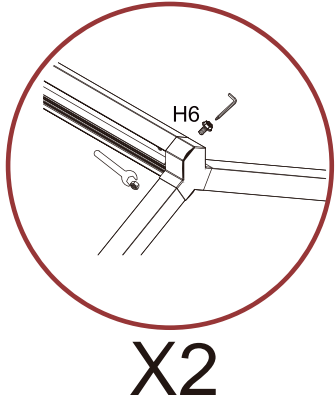


X2

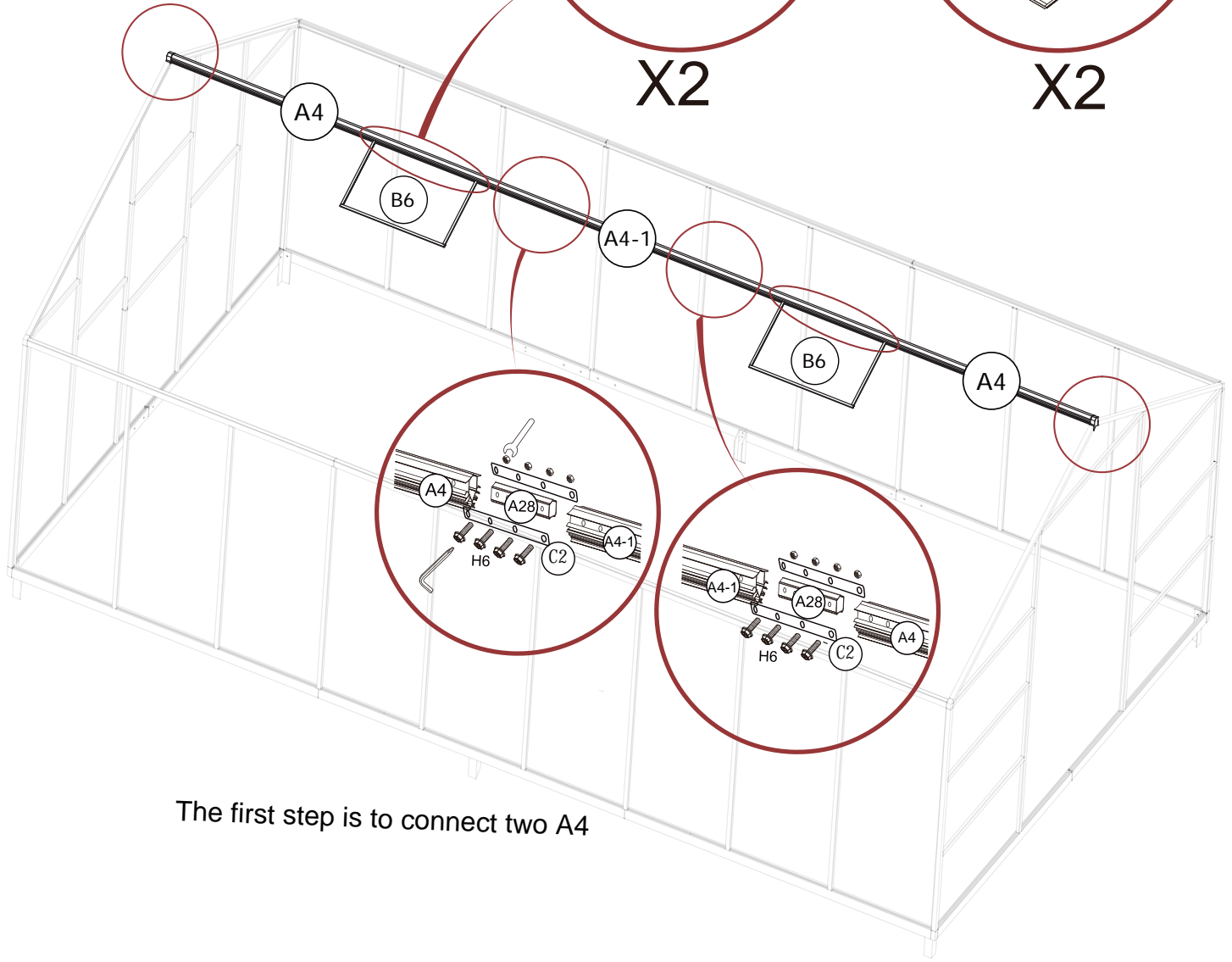
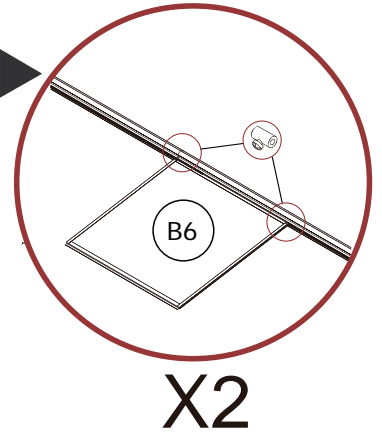
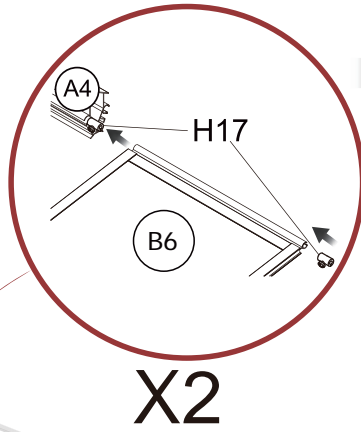
	H12	X4
	H18	X16

STEP 15


Step 3 Connecting H3 and A4



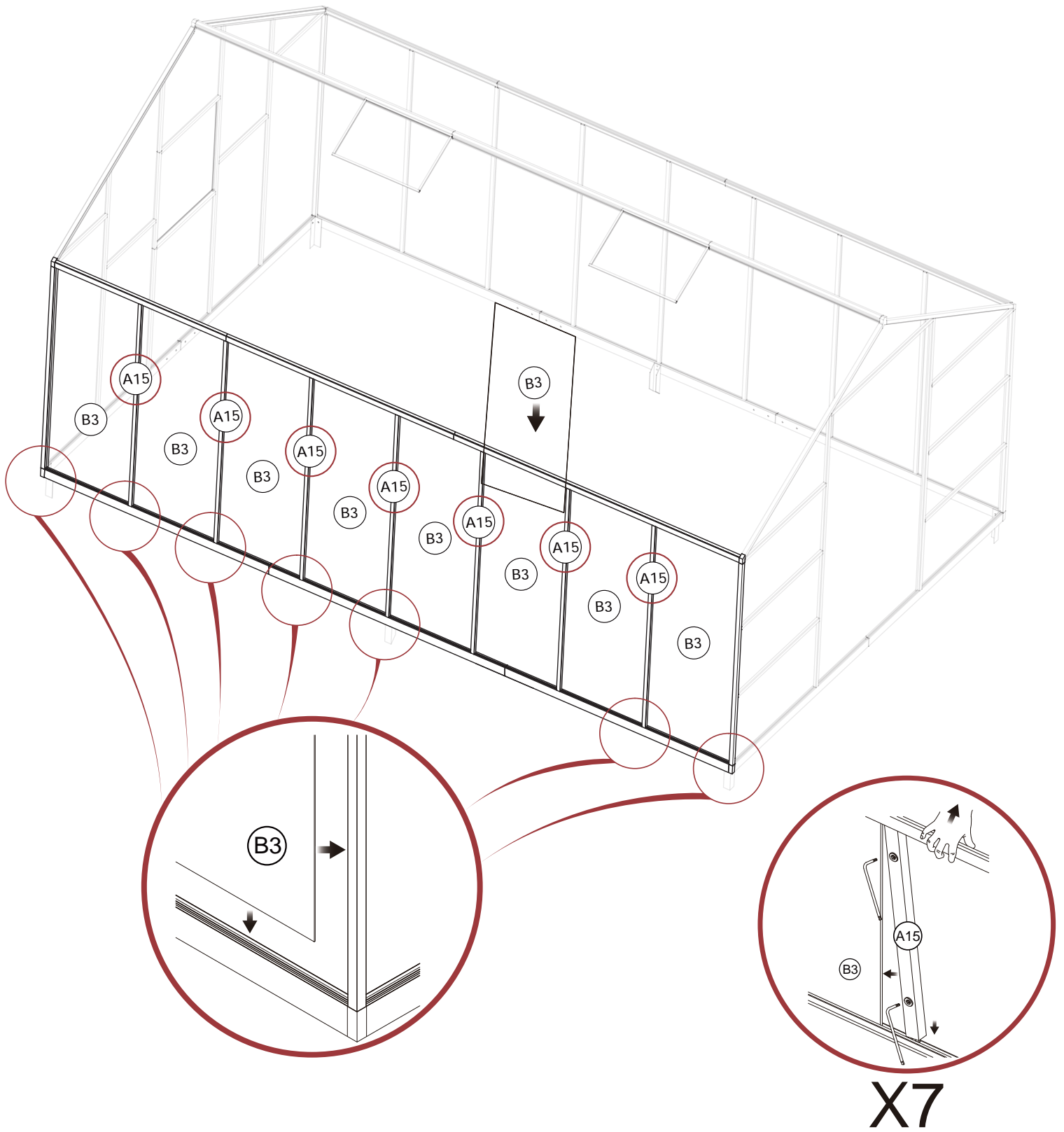
Step 2 Placement of H17 Window Fixing and B6 Window



The first step is to connect two A4

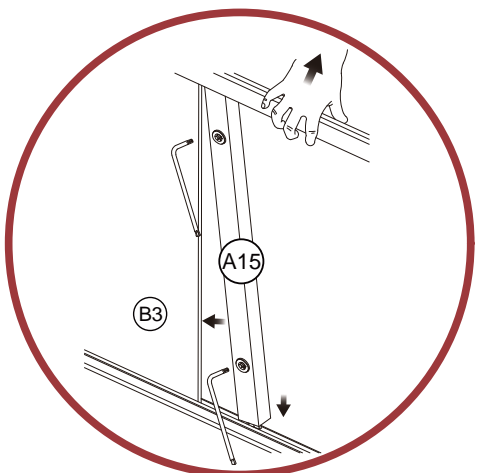
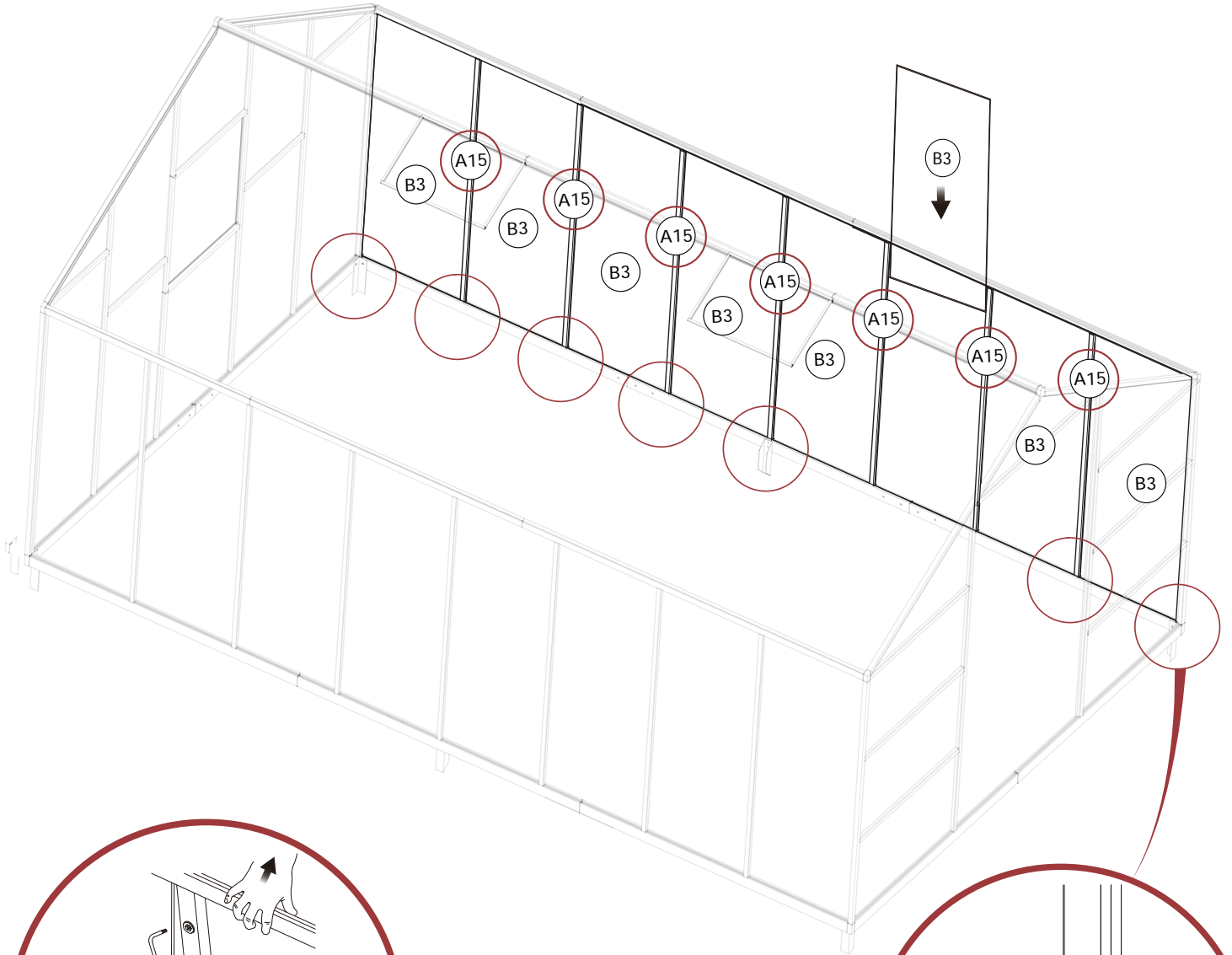
	M6x30	H6	X8
---	-------	----	----

STEP 16

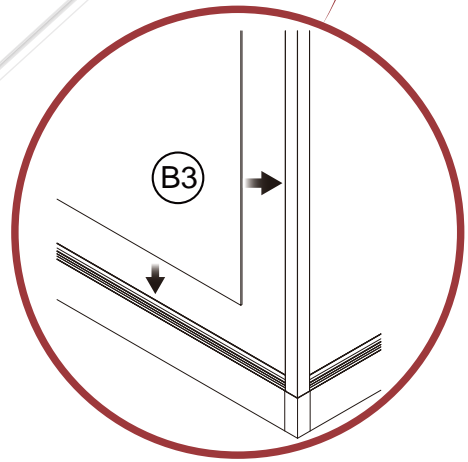


Please install both sides first and then the center

STEP 17

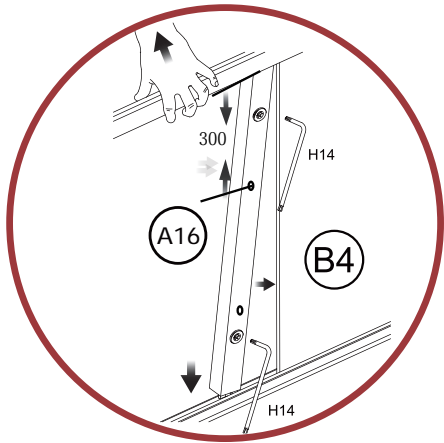


X7

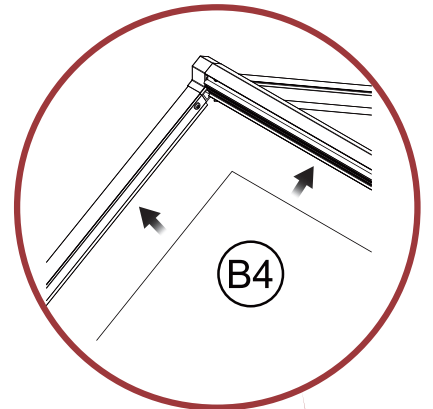


X7

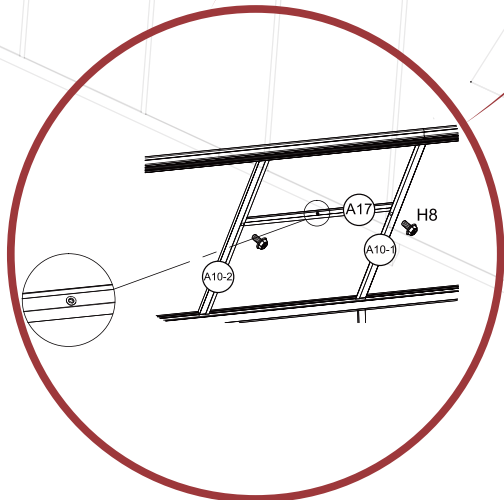
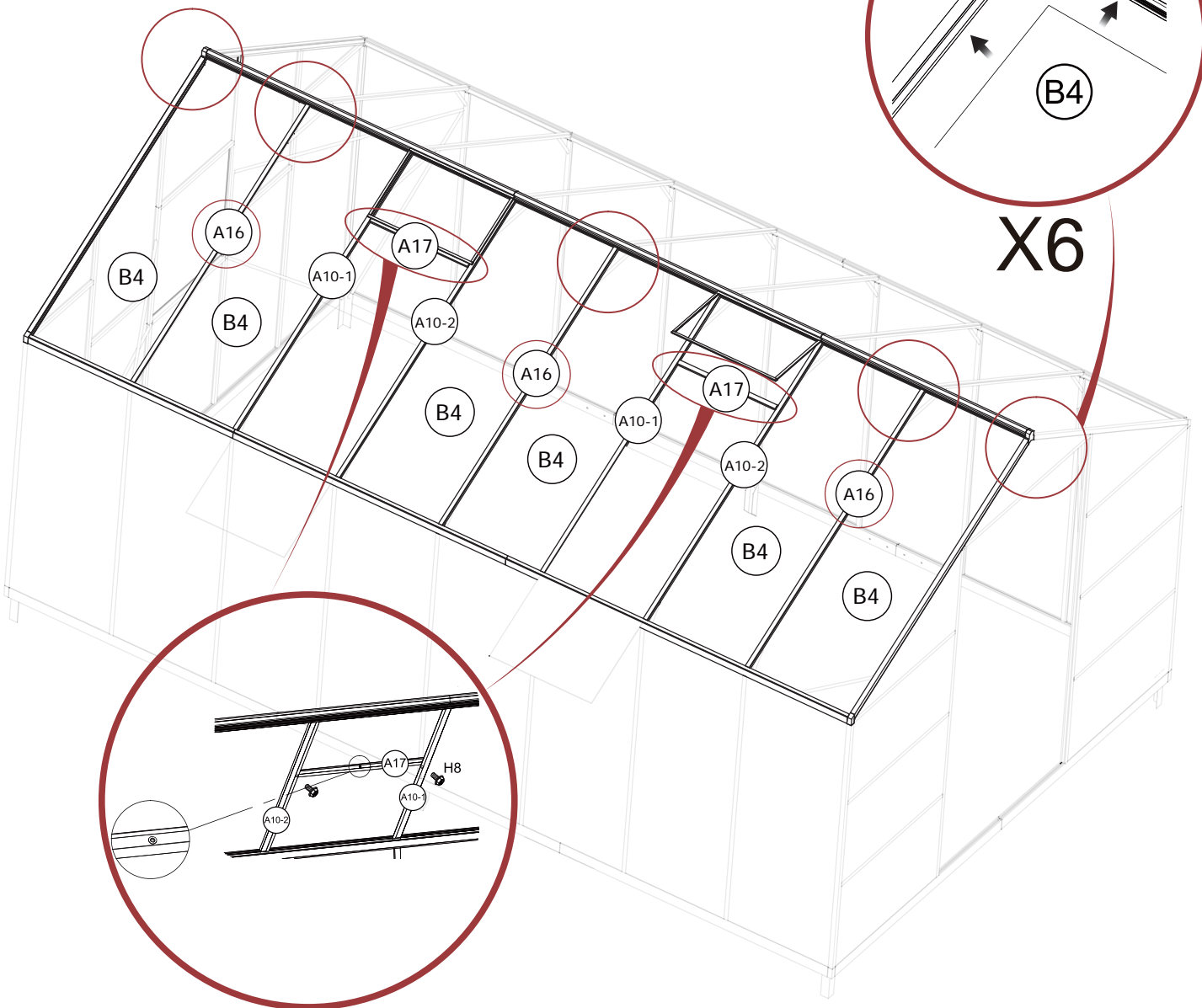
STEP 18




X3

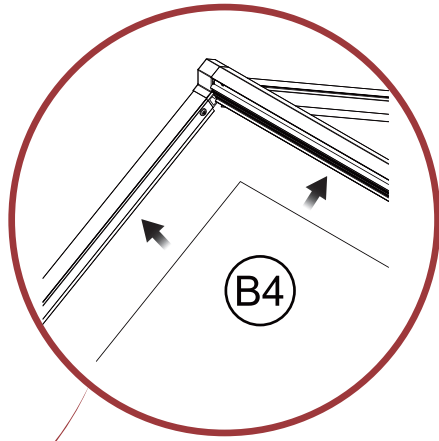


X6

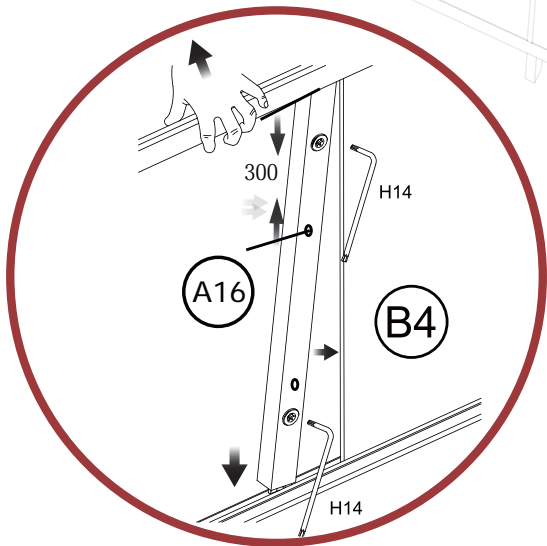
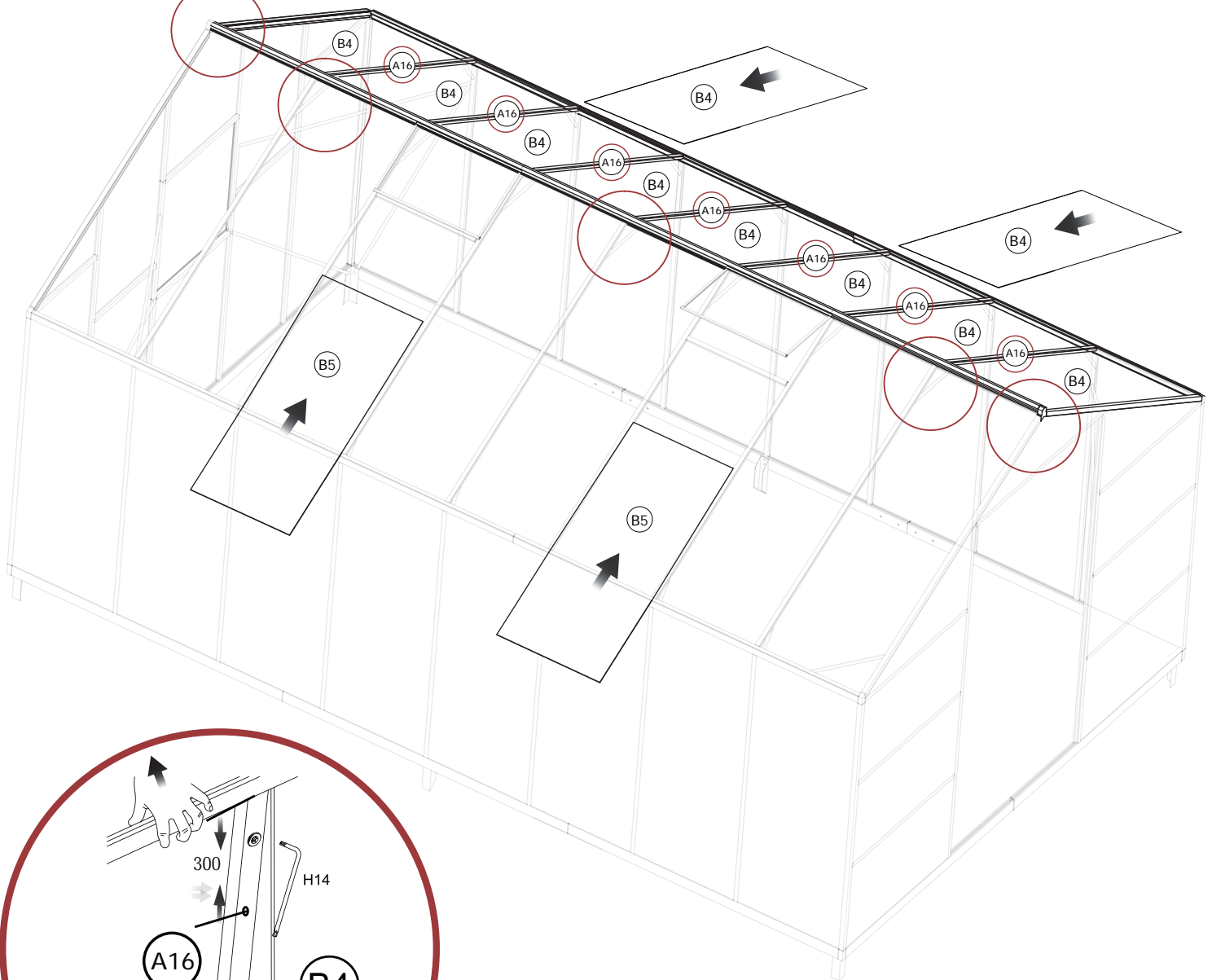


 M6x12	H8	X4
--	----	----

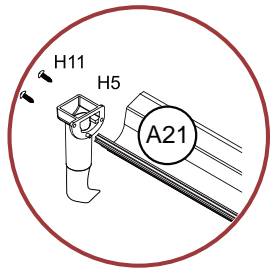
STEP 19



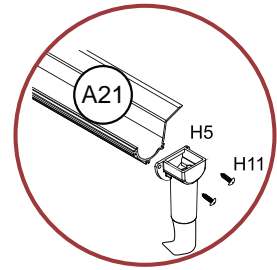
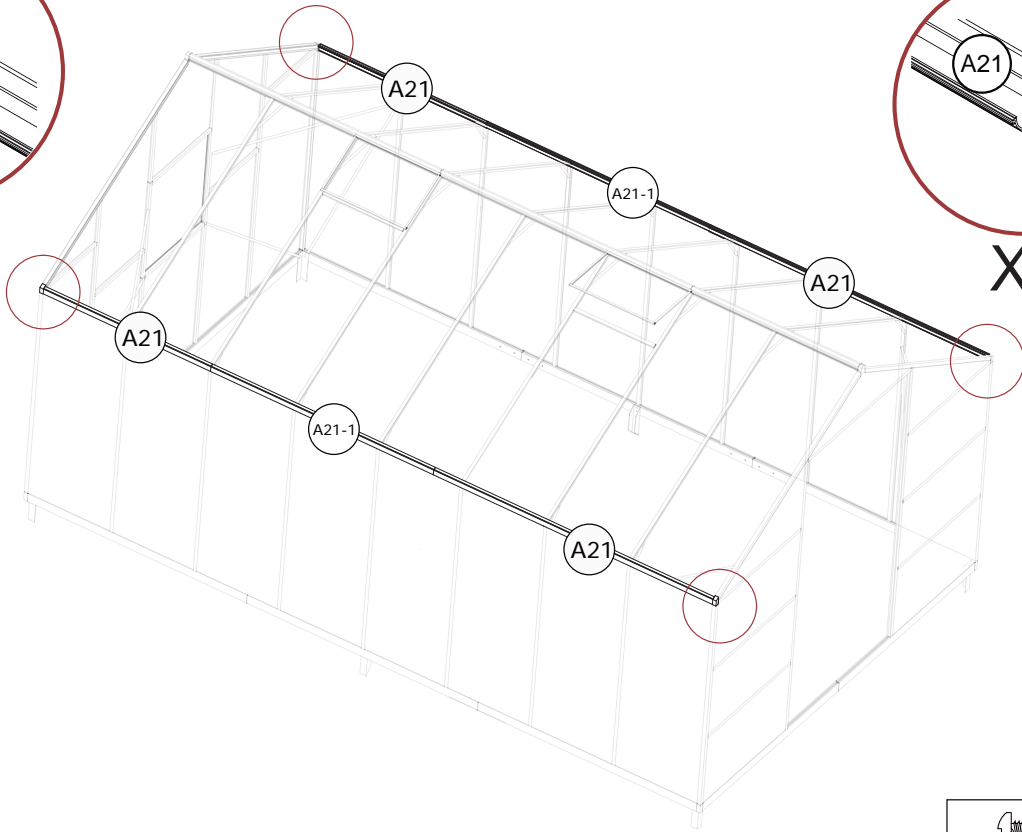
X8




STEP 20



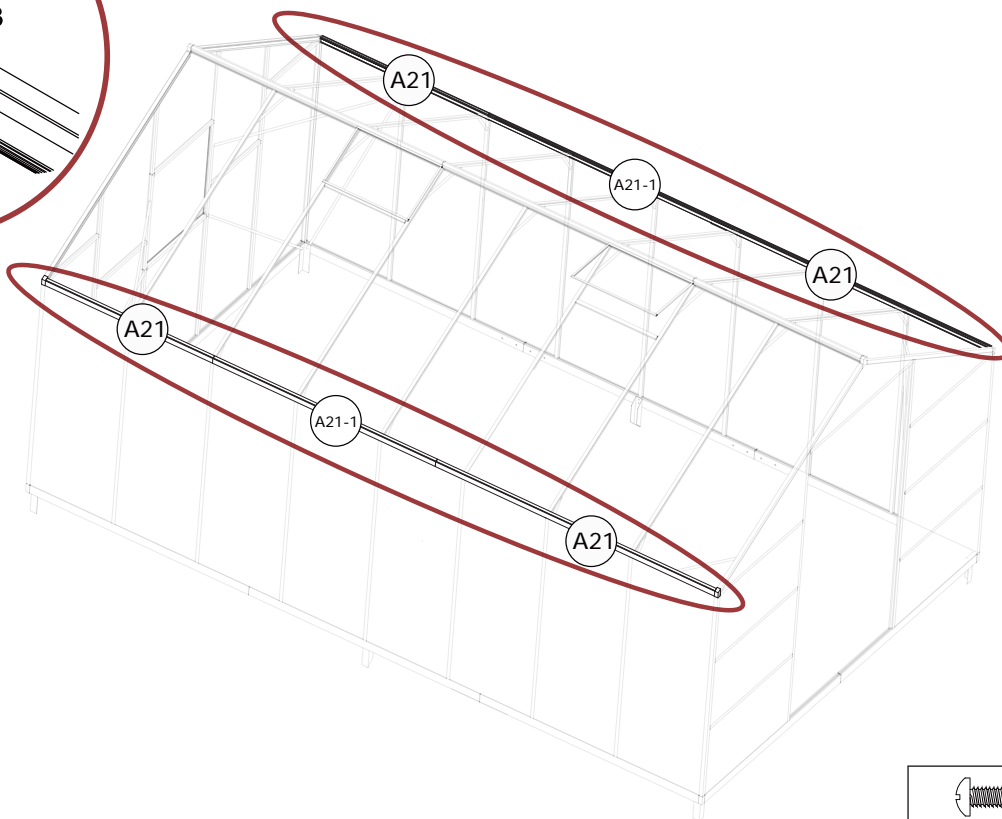
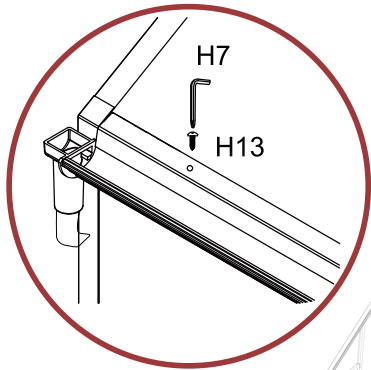
X2




X2

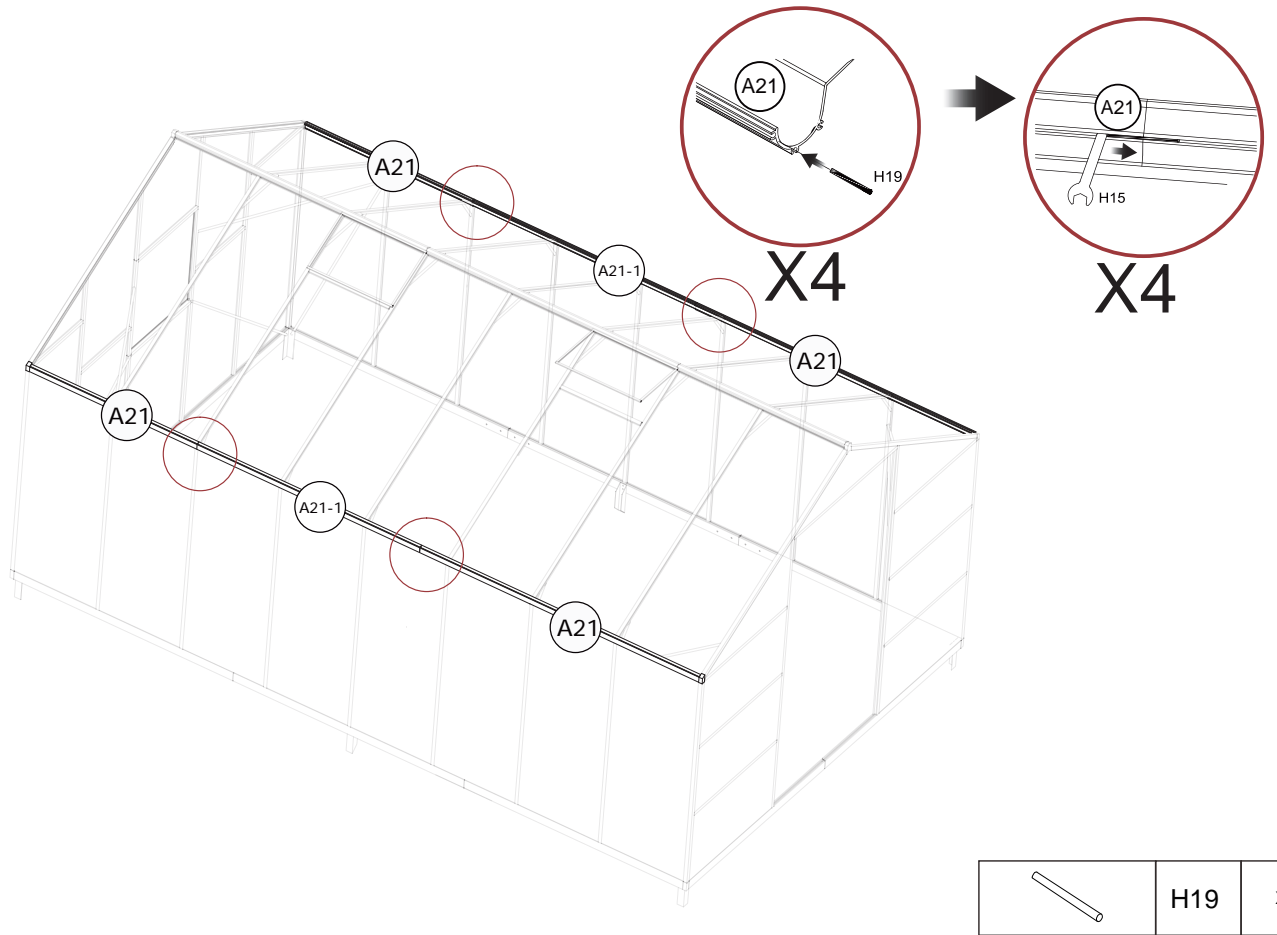
	H11	x8
St4x10		

STEP 21

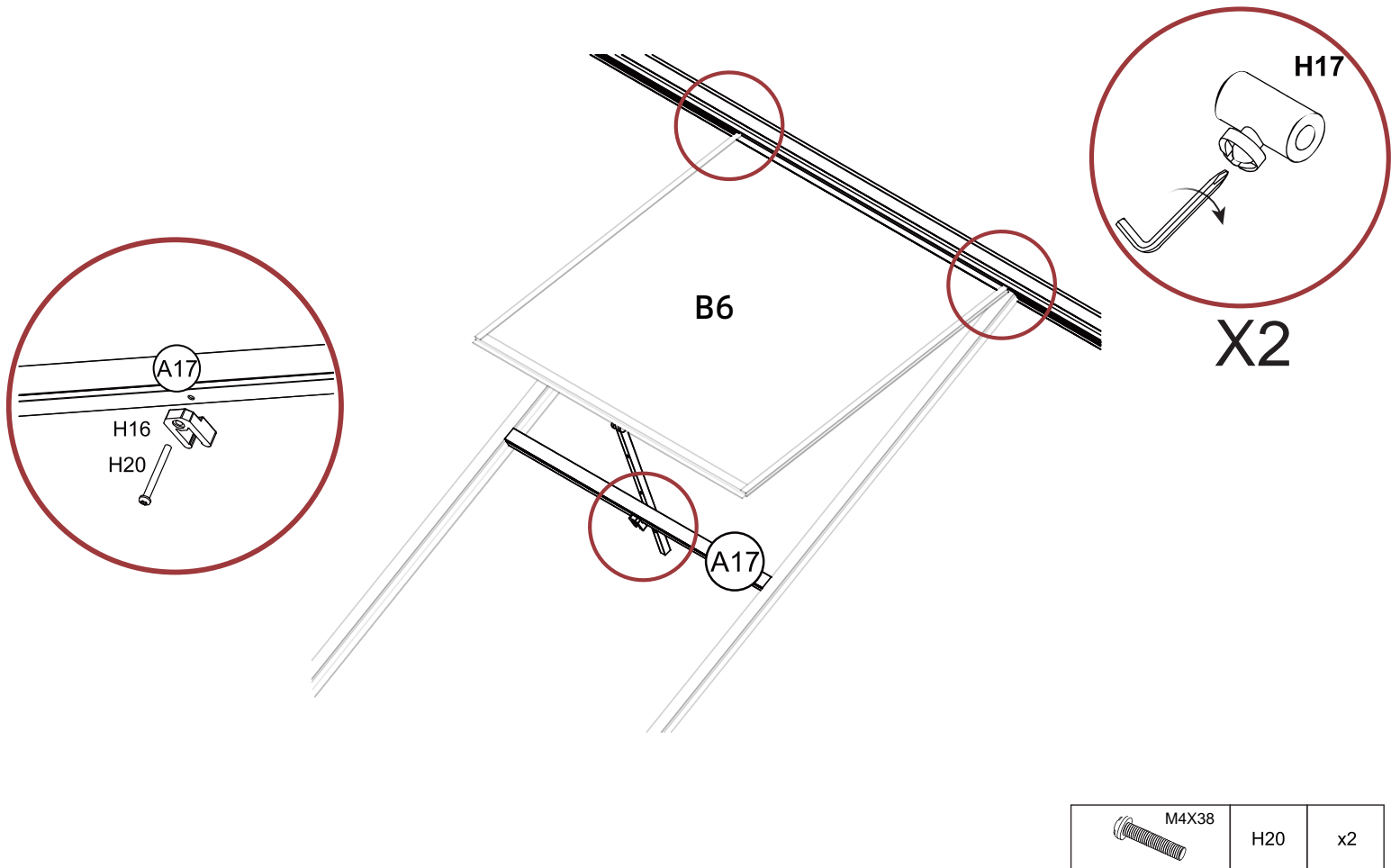


	H13	X18
St5x16		

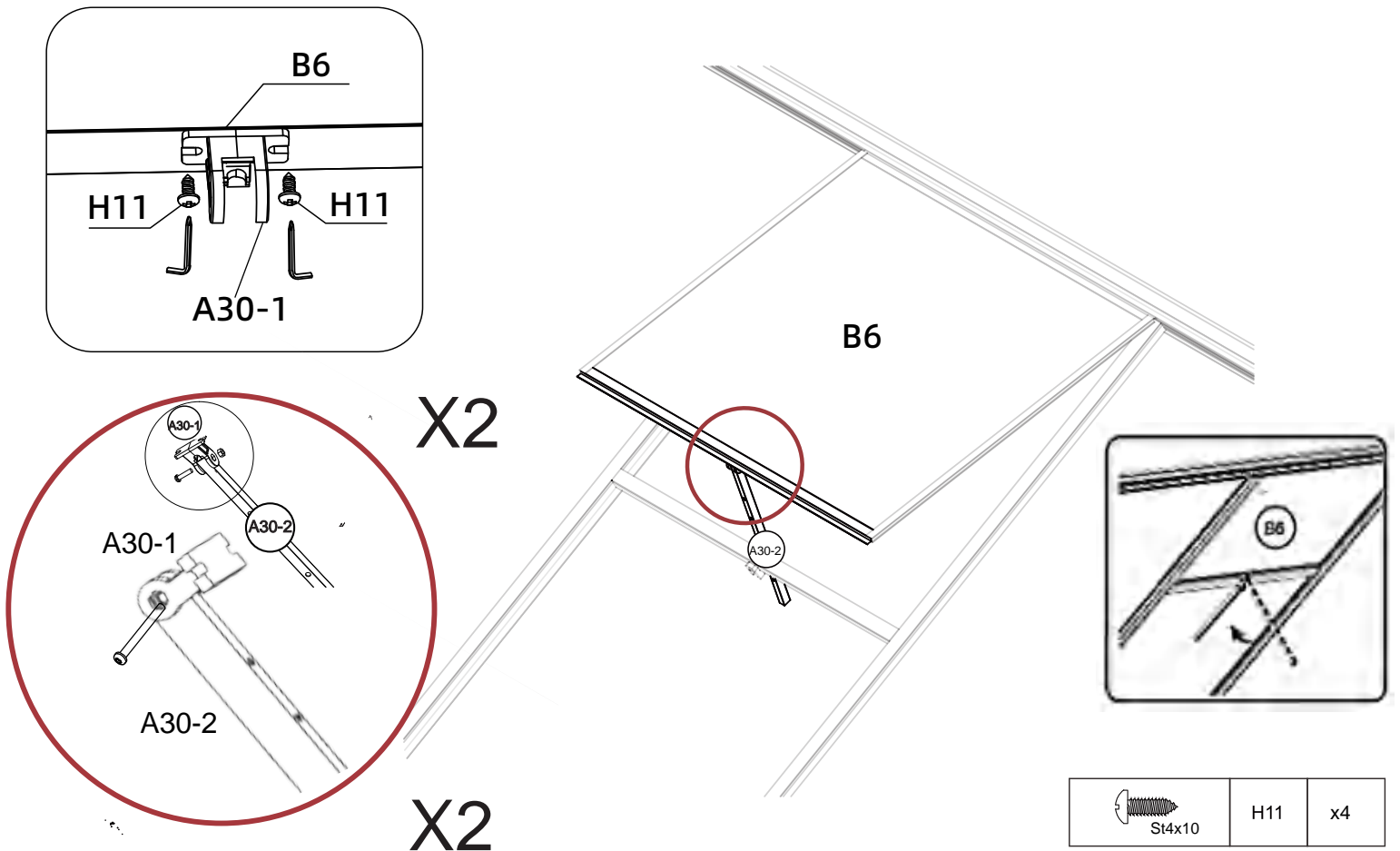
STEP 22



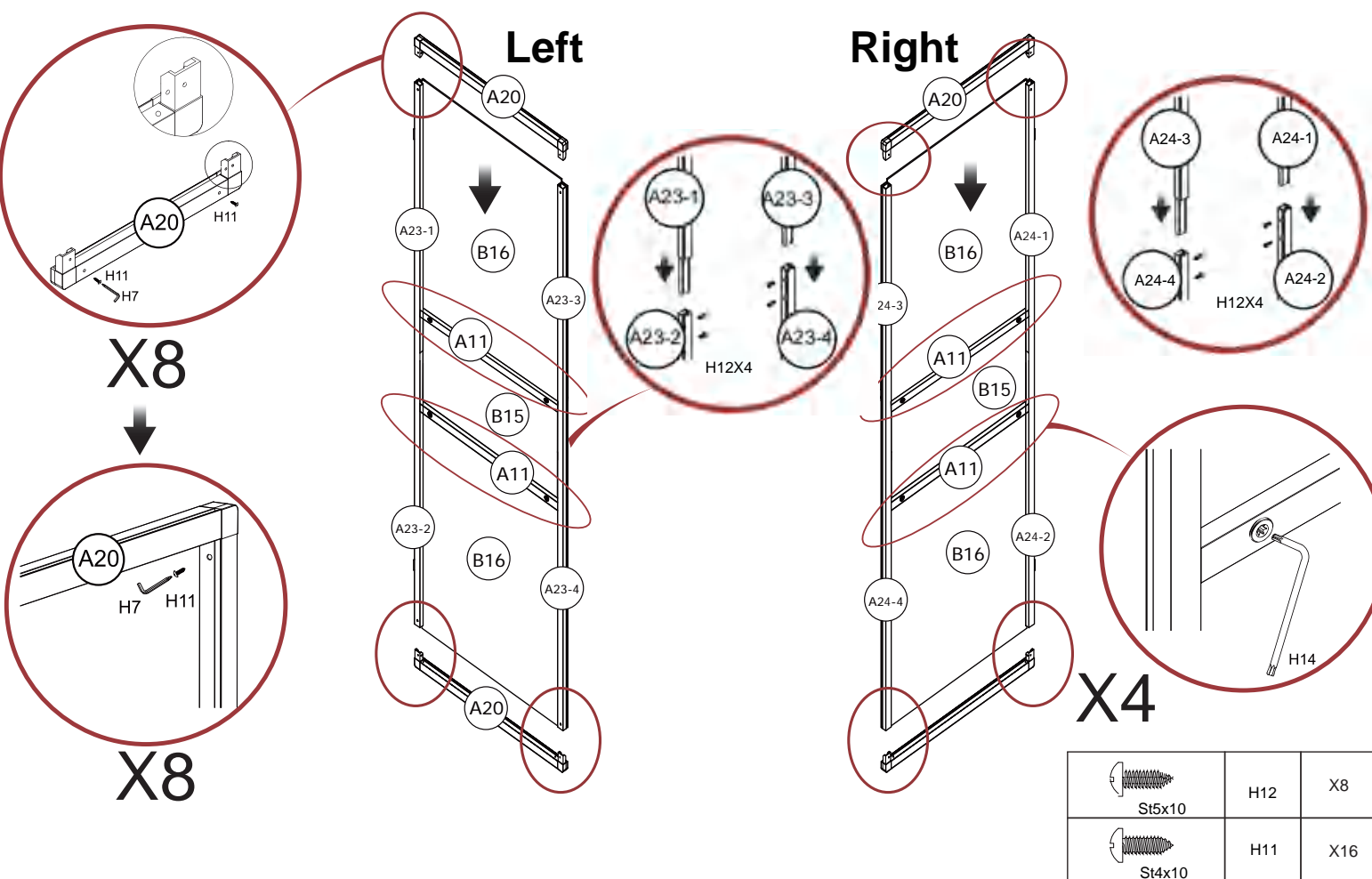
STEP 23



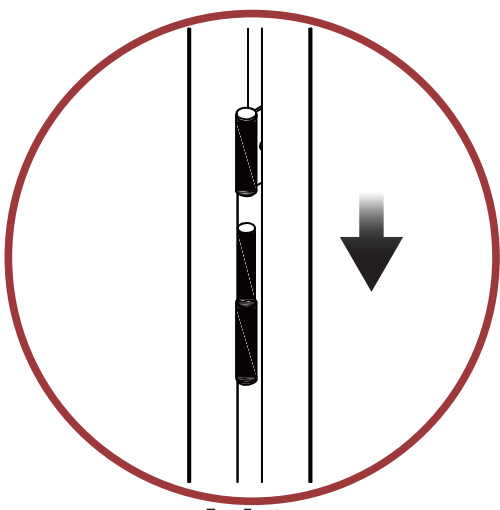
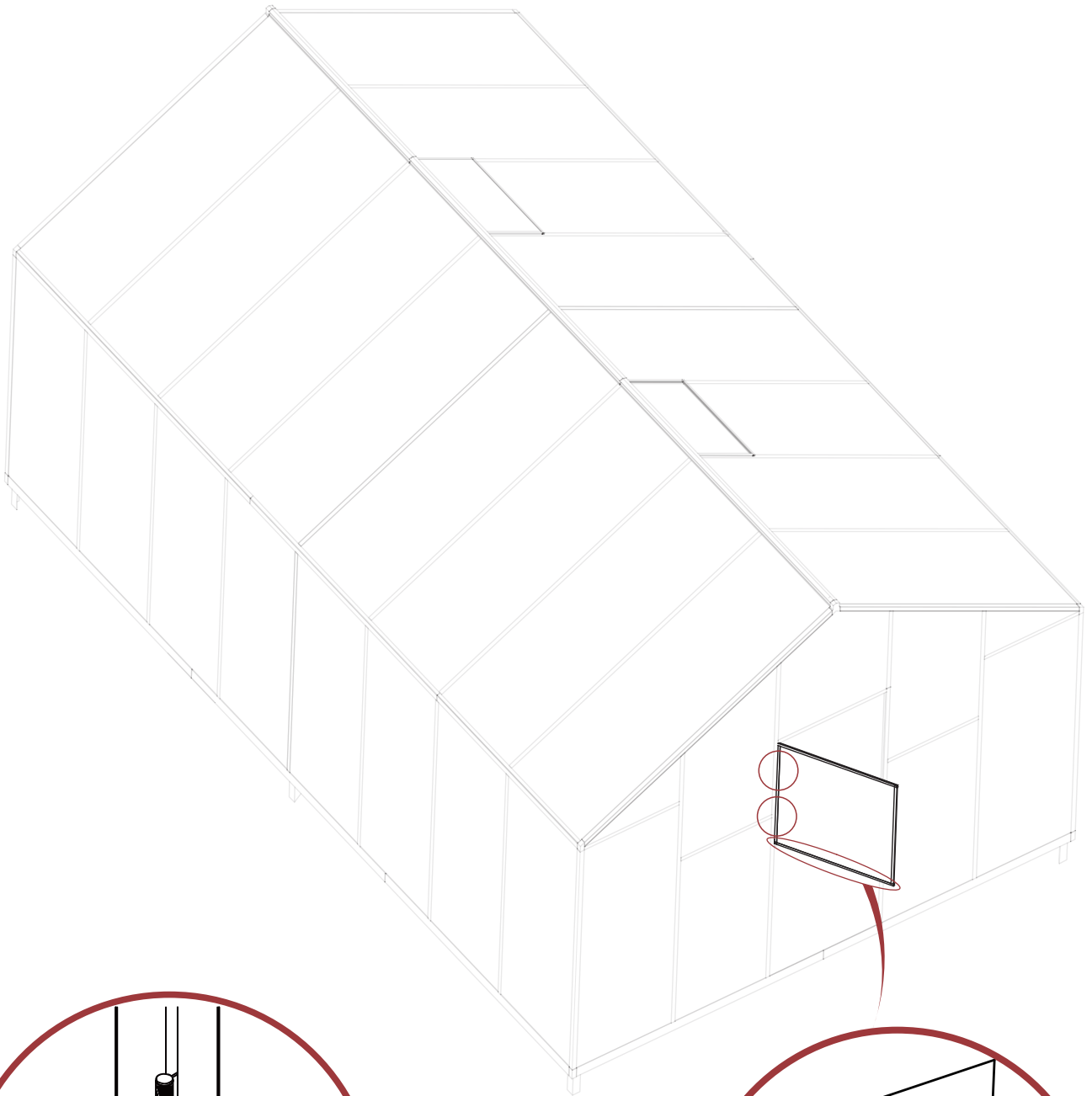
STEP 24



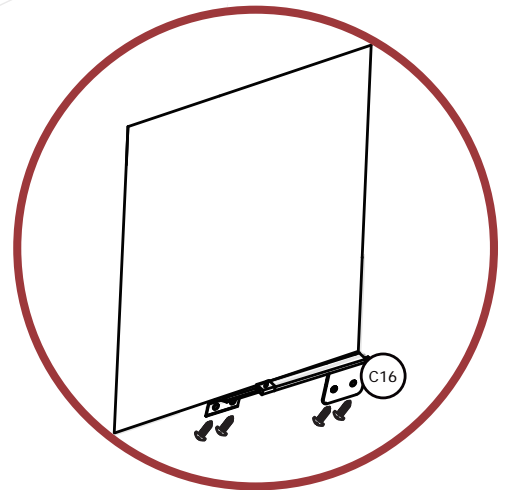
STEP 25



STEP 26

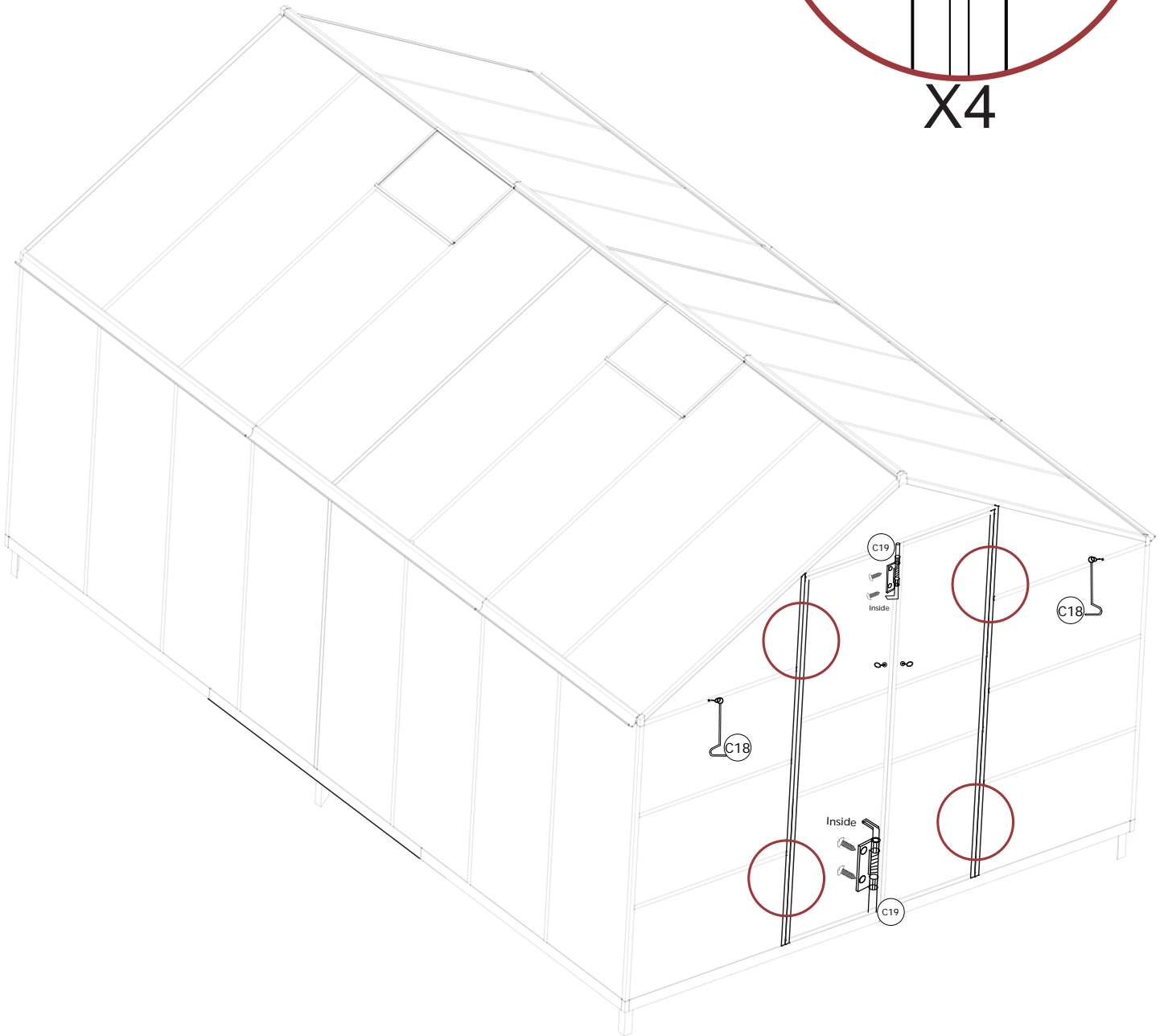
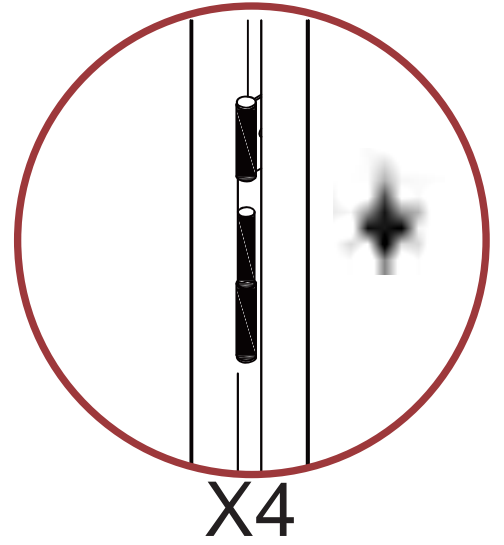


X2



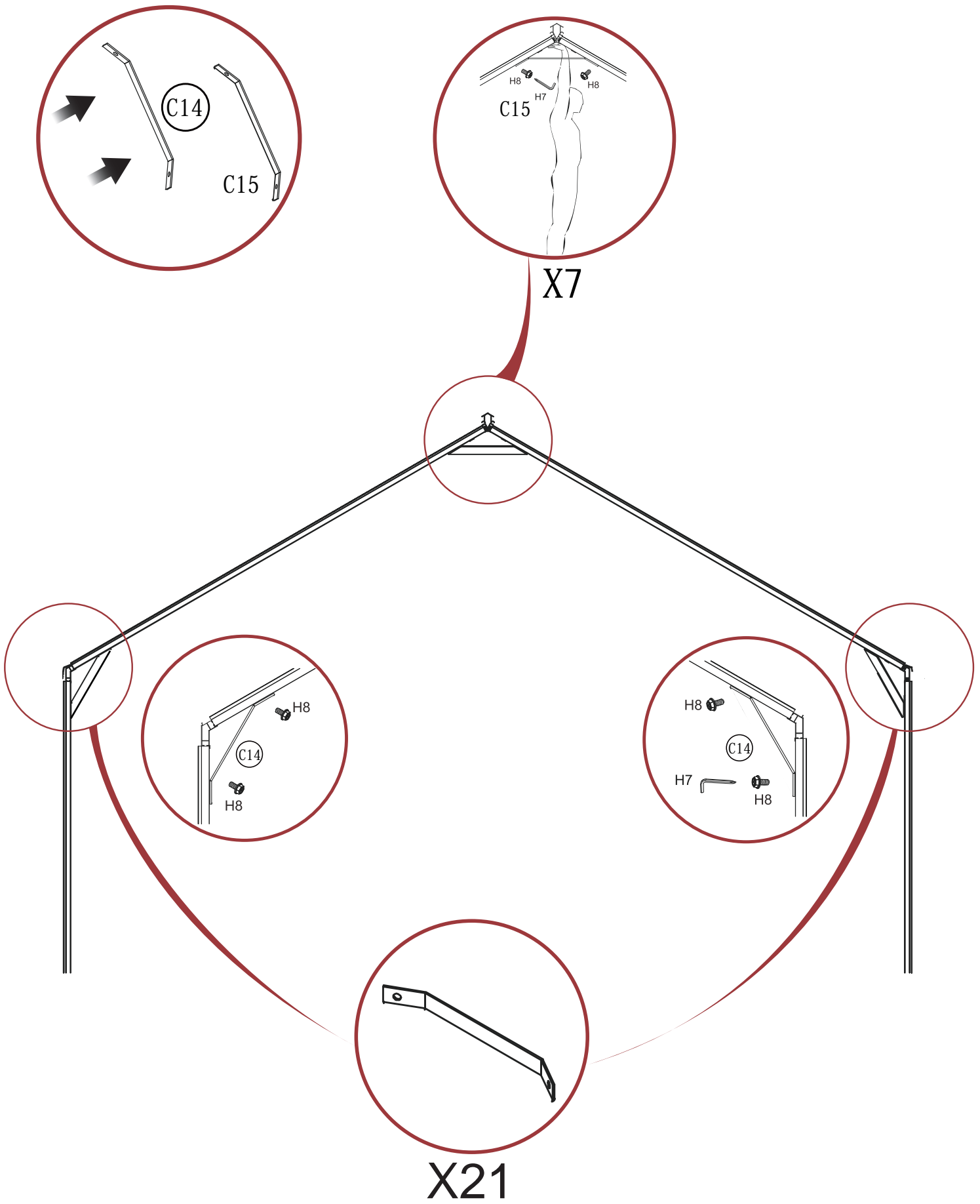
STEP 27


When installing the door, keep it open



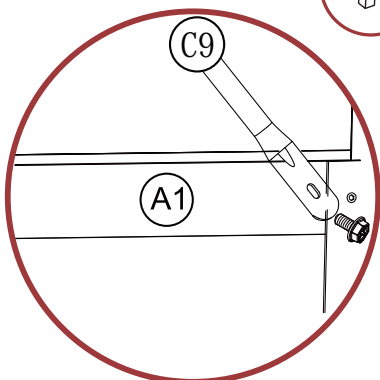
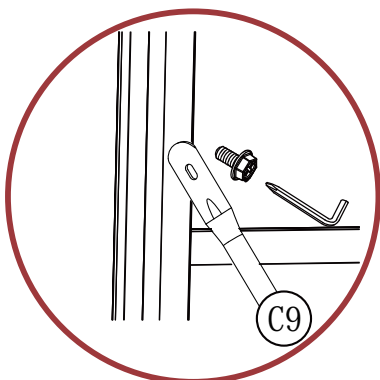
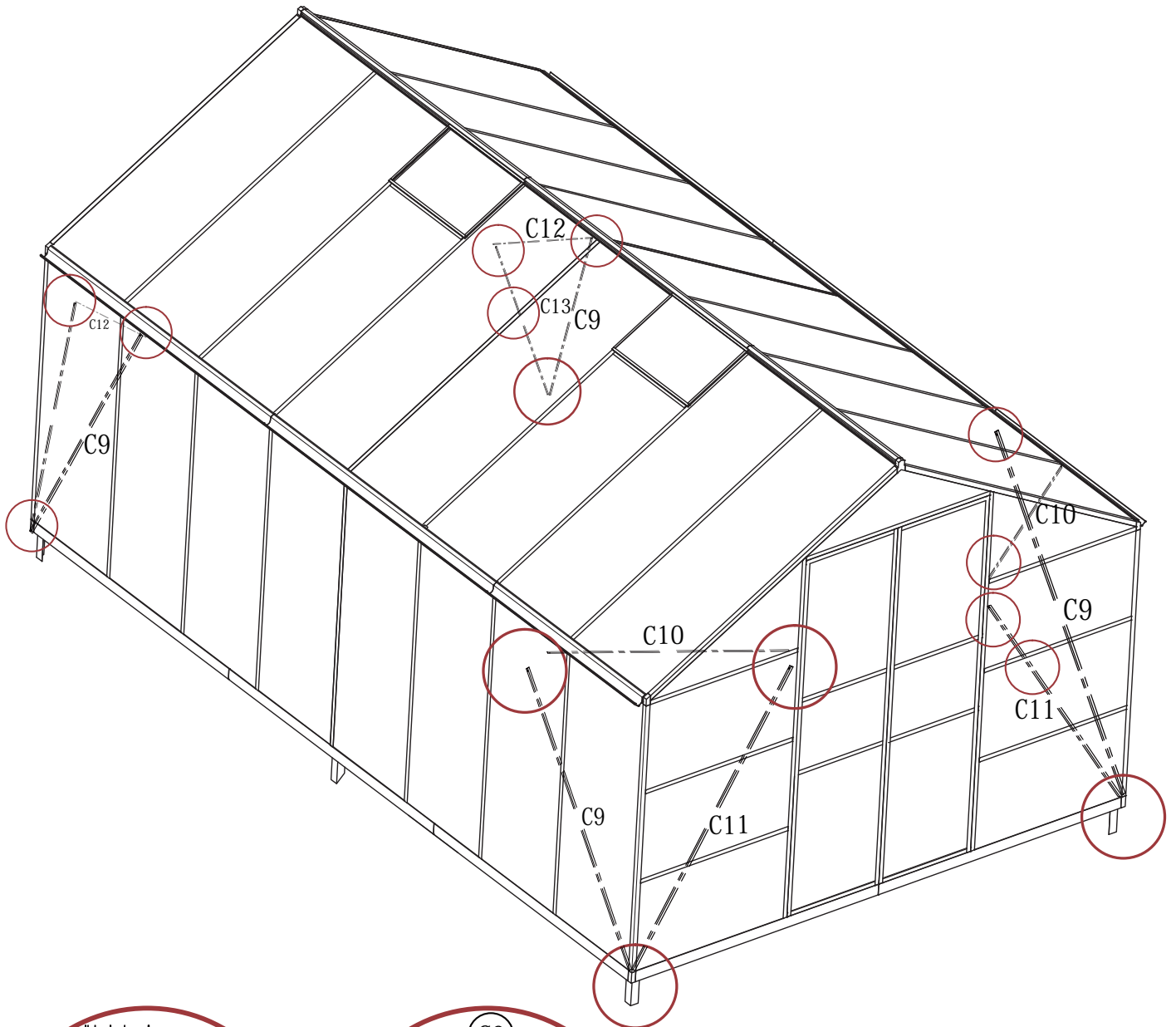
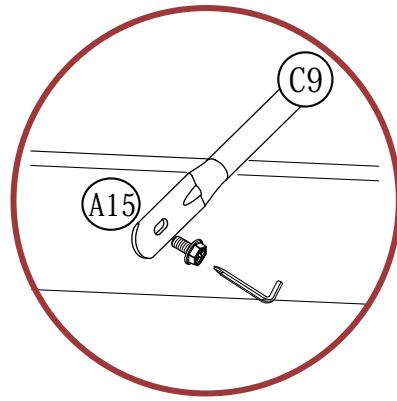
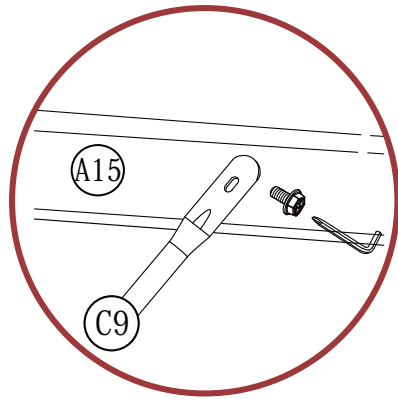
C18 is installed inside the door.


STEP 28



 M6x12	H8	X42
--	----	-----

STEP 29



 M6x12	H8	x16
--	----	-----

STEP 30

