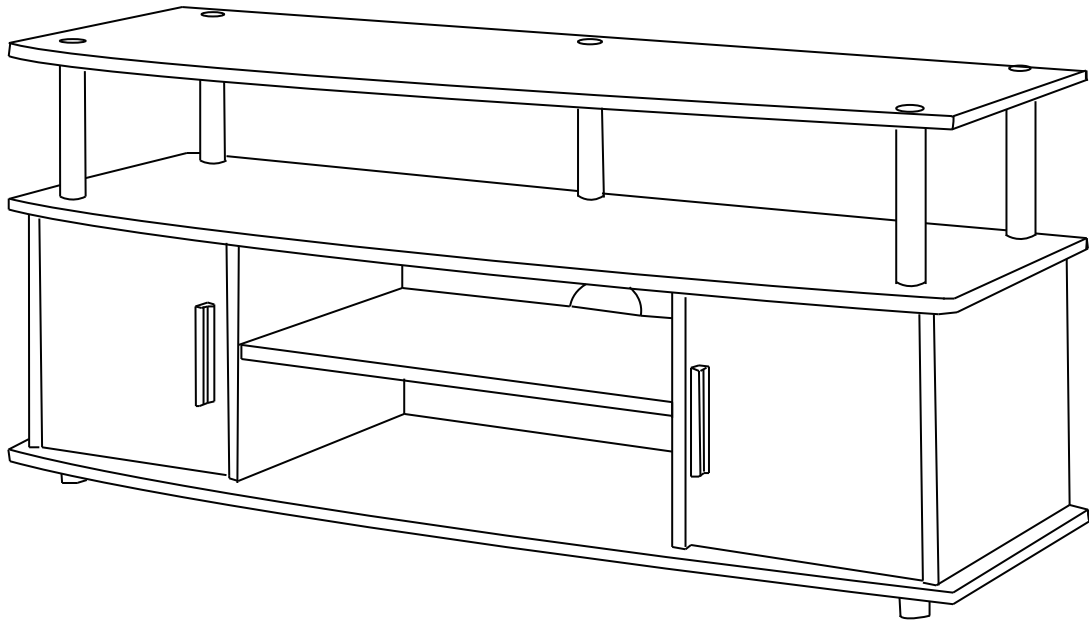


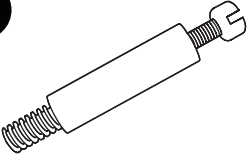

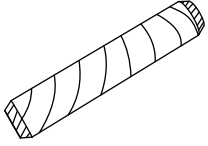
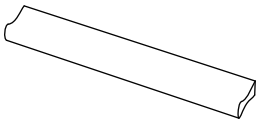
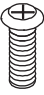
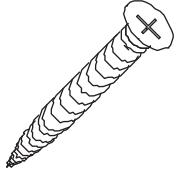
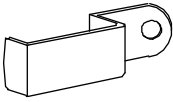

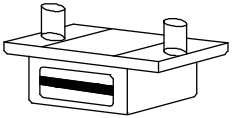
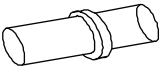
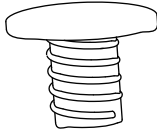

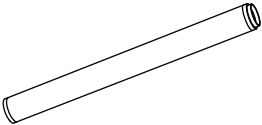

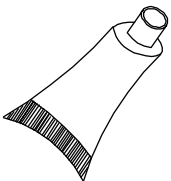
TV STAND



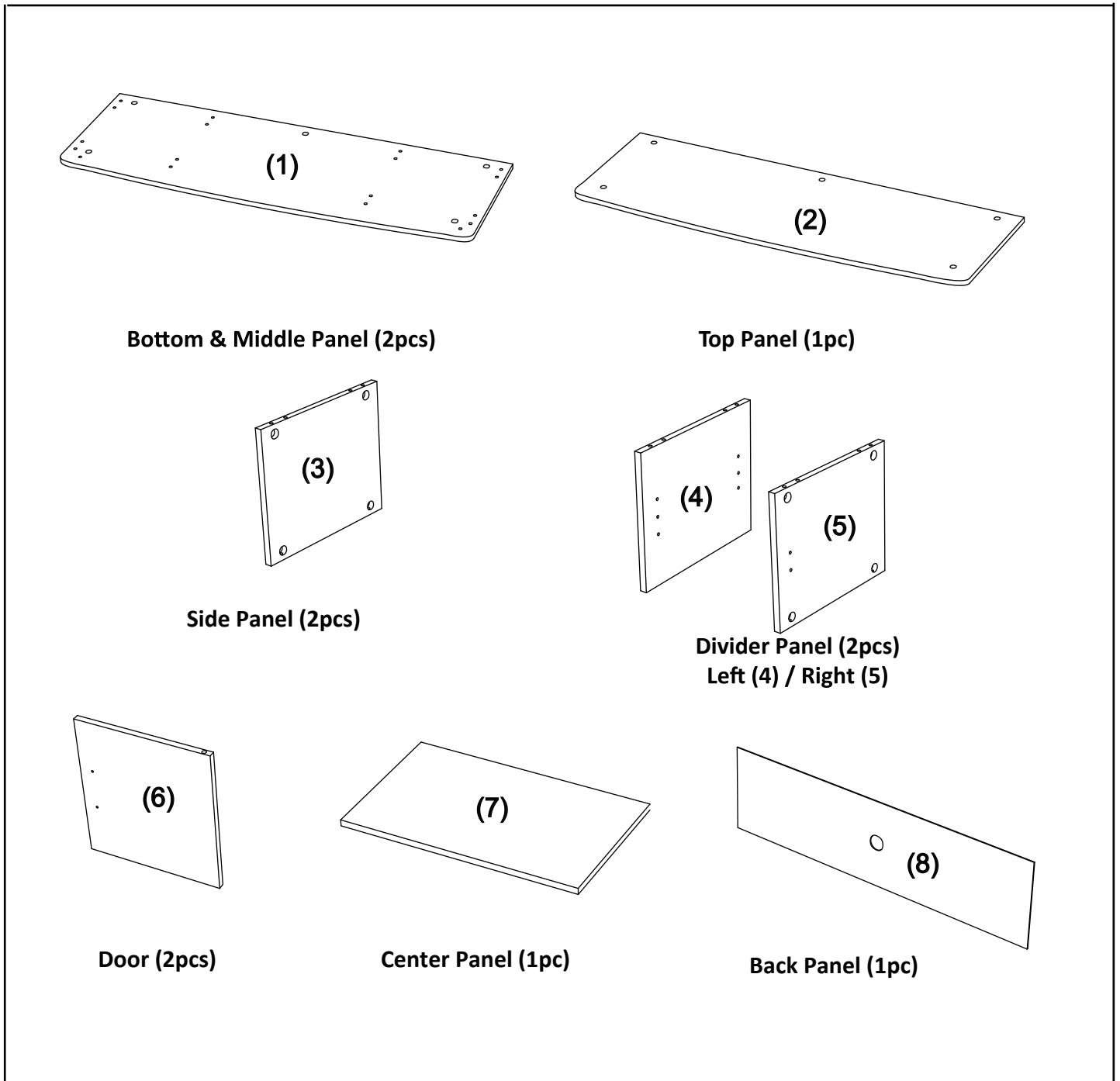
ASSEMBLY INSTRUCTIONS

We have designed our furniture with you , the customer in mind . Our clear , easy to follow , step by step instructions will guide you through the project from start to finish . Feel confident that this will be a fun and rewarding project . The final product will be a quality piece of furniture that will go together smoothly and give years of enjoyment .

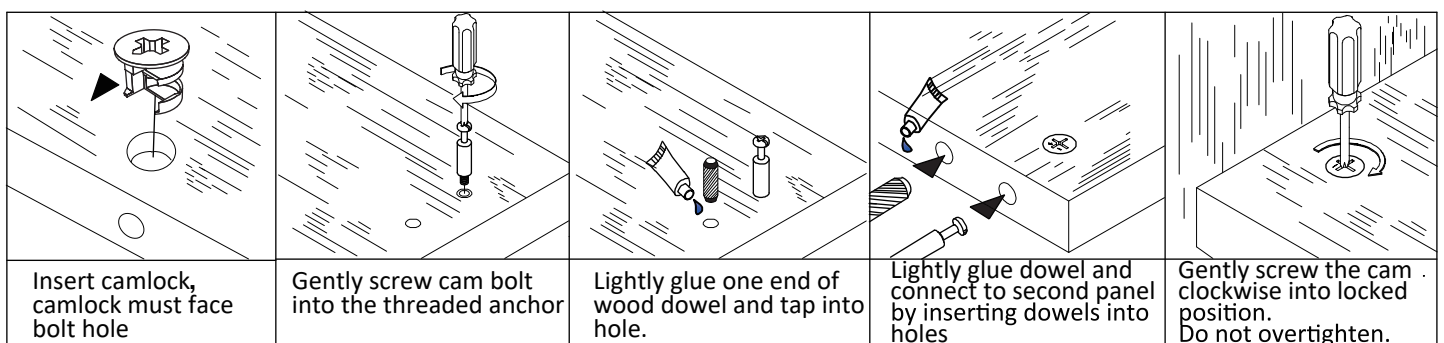
Hardware List

<p>A</p>  <p>Cambolt (16pcs)</p>	<p>B</p>  <p>Camlock (16pcs)</p>	<p>C</p>  <p>Dowel (16pcs)</p>
<p>D</p>  <p>Handle (2pcs)</p>	<p>E</p>  <p>Handle screw (4pcs)</p>	<p>F</p>  <p>Long screw (12pcs)</p>
<p>G</p>  <p>Bracket (2pcs)</p>	<p>H</p>  <p>Spring insert (4pcs)</p>	<p>I</p>  <p>Magnet (2pcs)</p>
<p>J</p>  <p>Metal pin (4pcs)</p>	<p>K</p>  <p>Cap (5pcs)</p>	<p>L</p>  <p>Black cap (10pcs)</p>
<p>M</p>  <p>Pole (5pcs)</p>	<p>N</p>  <p>Foot (5pcs)</p>	<p>O</p>  <p>Glue (1pc)</p>

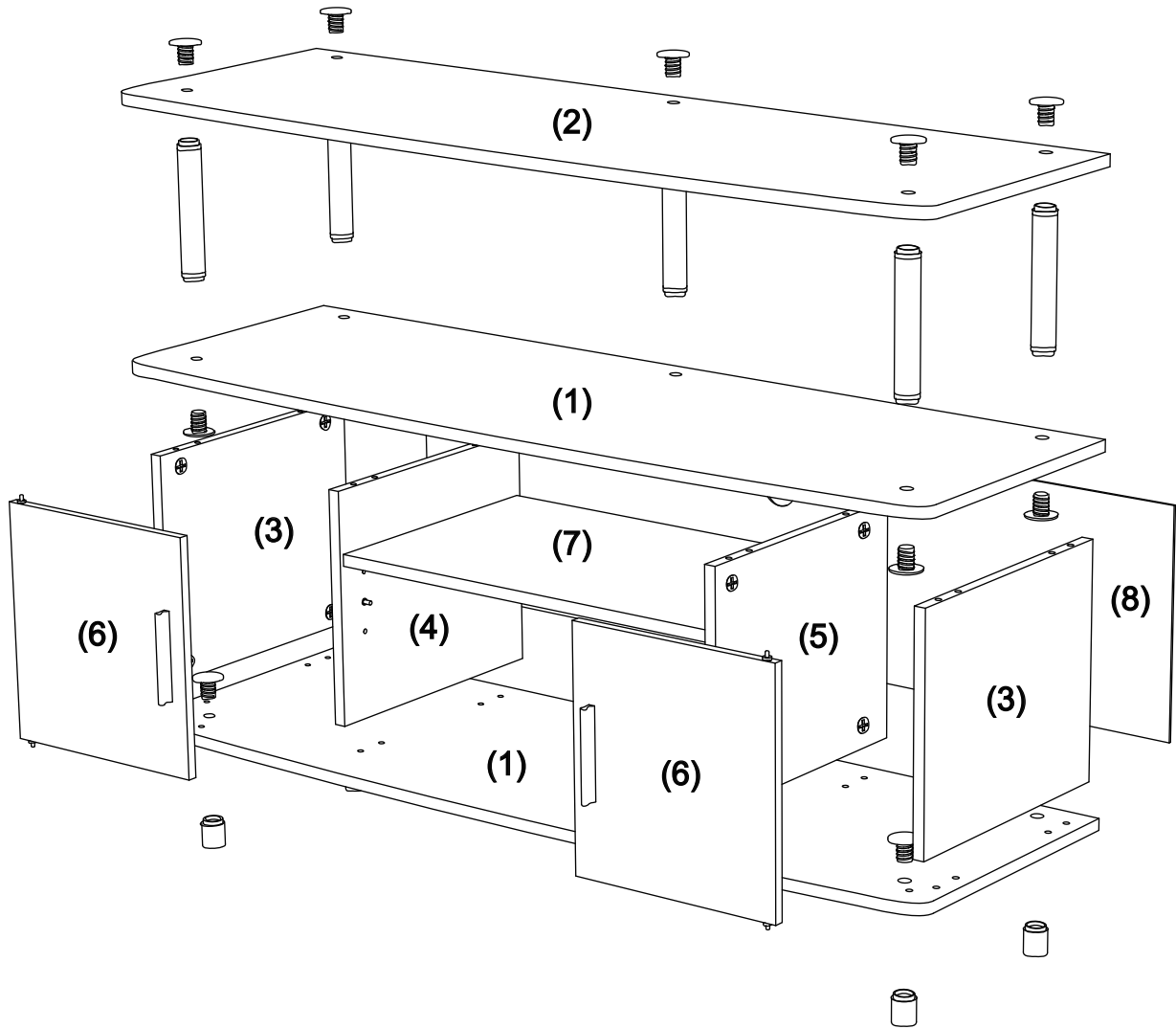
Part List



Assembling the unit with camlocks and wood dowels.



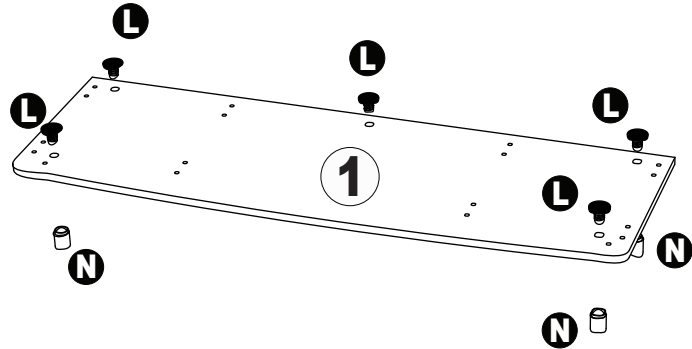
Part List



Step1

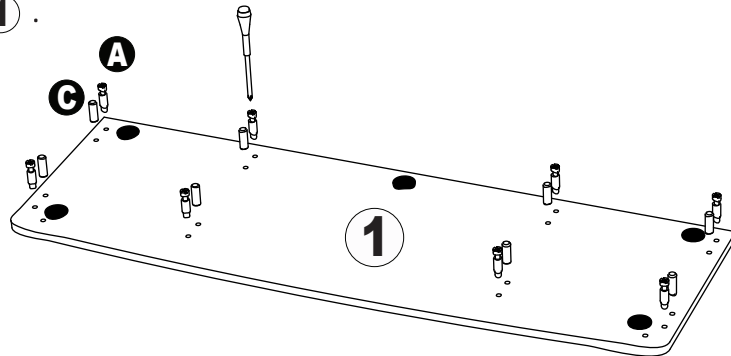
1. Place Bottom panel ① on Feet ② .

2. Screw Black caps (L) into feet as shown.



Step2

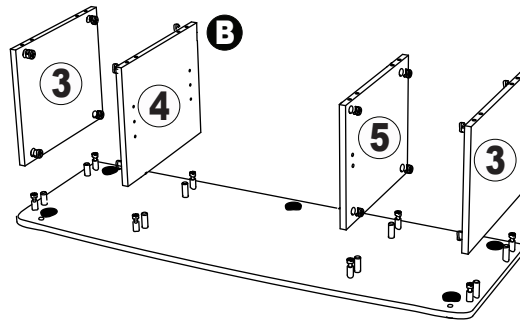
1. Screw Cambolts (A) and insert Dowels (C) into Bottom panel ① .



Step3

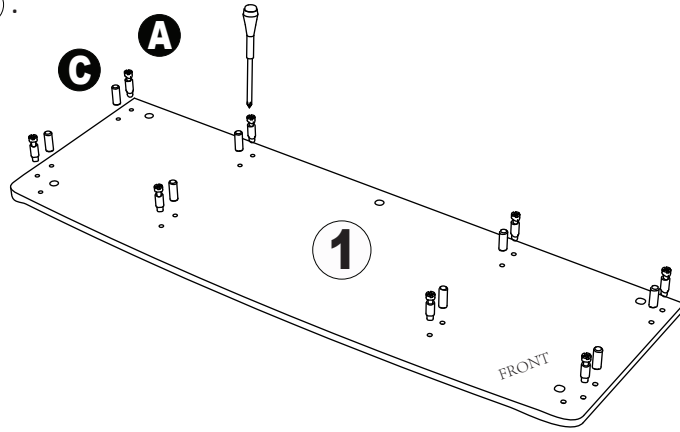
1. Insert Camlocks (B) to Side panels ③ and Divider panel ④ & ⑤ .

2. Connect Side panel ③ and Divider panel ④ & ⑤ to Bottom panel by gently tightening Camlock(B).



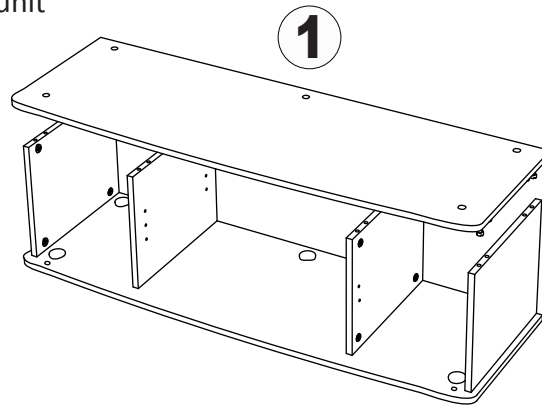
Step4

1.Screw Cambolts (A) and insert Dowels (C) into Middle panel ① .



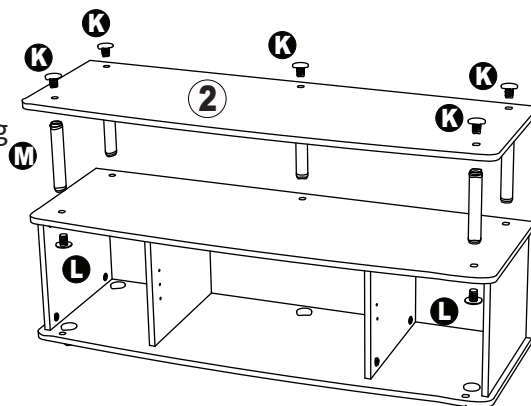
Step5

1.Place Middle panel ① onto unit and gently tighten camlocks.



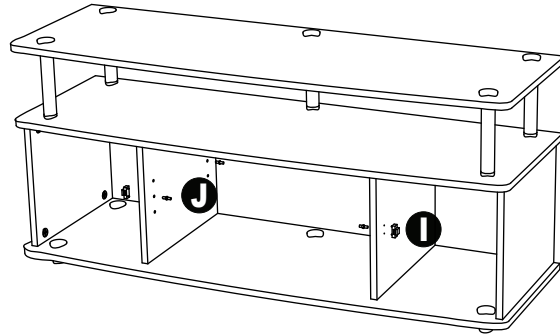
Step6

1.Attach Poles(M) to unit using Black caps(L).
2.Place Top panel ② onto Poles(M) and connect to unit using Caps(K), as shown.



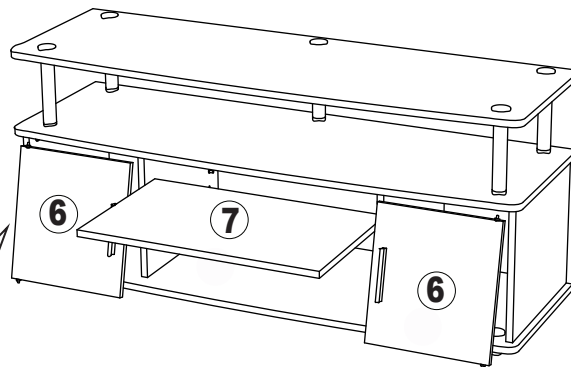
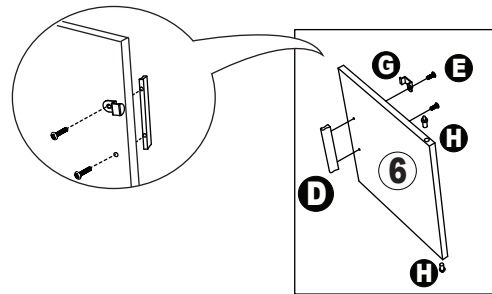
Step7

1. Attach Magnets (I) to Divider panel ④ and ⑤ as shown.
2. Insert Metal Pins (J) into desired height on Side panel ④ and ⑤.



Step8

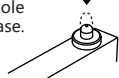
1. Connect Handle (D) to Door ⑥ using Handle Screw (E) and Bracket (G) as shown.
2. Place Spring pins (H) into top and bottom holes of door.
3. Attach door ⑥ to unit by placing one end of spring pin into hole, gently compress other spring pin so that it will slide into remaining hole.
4. Repeat for second door.
5. Carefully Place Center panel ⑦ onto metal pins.



TO ATTACH DOORS

Push door insert down. Align with pre-drilled hole in unit. Release.

Push



Step9

1. Turn unit around and connect back panel ⑧ to unit using Long screws (F).
2. Enjoy you new television console!

