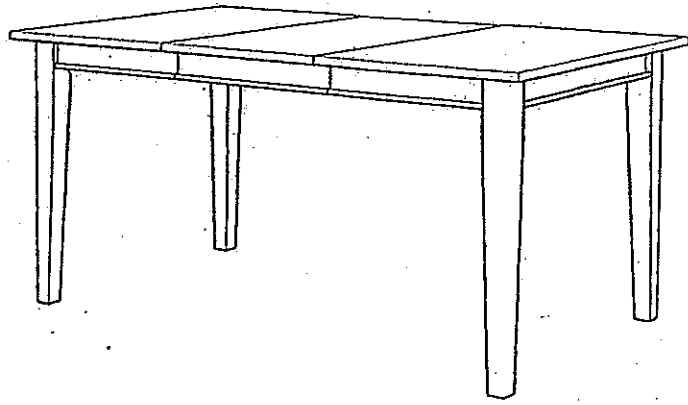


Dining Table

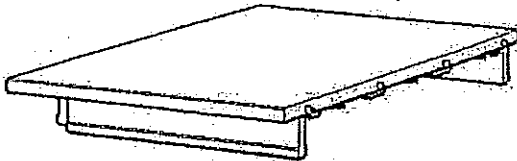
IMPORTANT NOTE

Carefully remove all the parts from the carton and put them individually on a soft cloth to prevent scratches or other damages occurring to the wood parts.

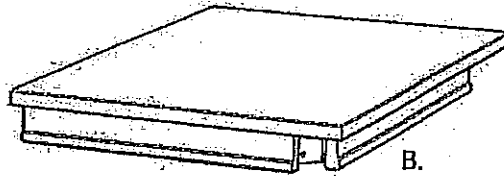
We have taken great care in the design of this product and request that you carefully and strictly follow our assembly instructions to ensure a completed product as it was designed.



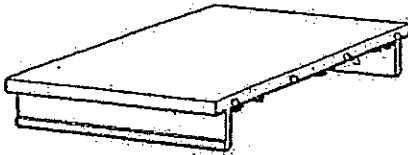
Part List



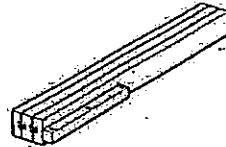
A.
Top
1 pc.



B.
Top
1 pc.



C.
Leaf
1 pc.

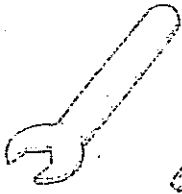


D.
Table Slide
2 pcs.

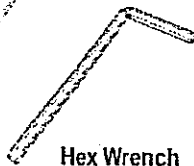


E.
Leg
4 pcs.

Hardware List



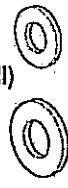
Key Wrench
1 pc.



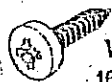
Hex Wrench
1 pc.



Spring Washer(Small)
8 pcs. (+1 extra)



Flat Washer(Small)
8 pcs. (+1 extra)



Wood Screw
16 pcs. (+1 extra)

Spring Washer
8 pcs. (+1 extra)

Flat Washer
8 pcs. (+1 extra)



Head Cap Bolt
8 pcs. (+1 extra)



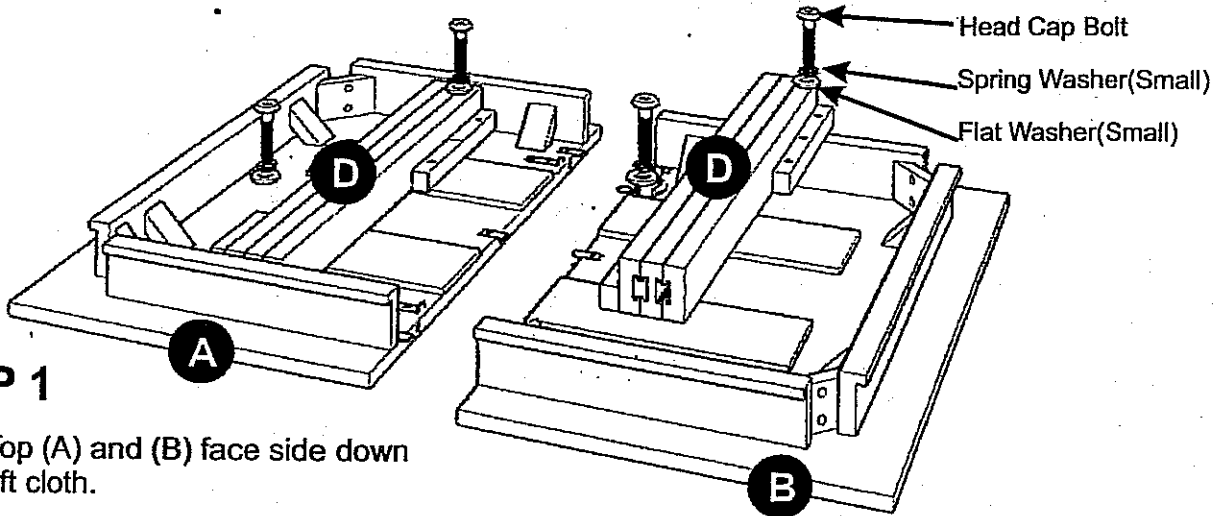
Bolt
8 pcs. (+1 extra)

Assembly Instructions 2/3

IMPORTANT

* Do not tighten up all the screws until each part is properly assembled.

* You should keep Hex Wrench, Key Wrench in a safe place as you may need to tighten up the Bolts in the future.



STEP 1

Place Top (A) and (B) face side down on a soft cloth.

Remove Table Slides (D) from their packing position by loosening and removing Head Cap Bolts, Spring Washers(Small) and Flat Washers(Small) using Hex Wrench.(see Figure 1)

Note: These 4 Head Cap Bolts, Spring Washers(Small) and Flat Washers(Small) will be used in Step 2.

DO NOT DISCARD

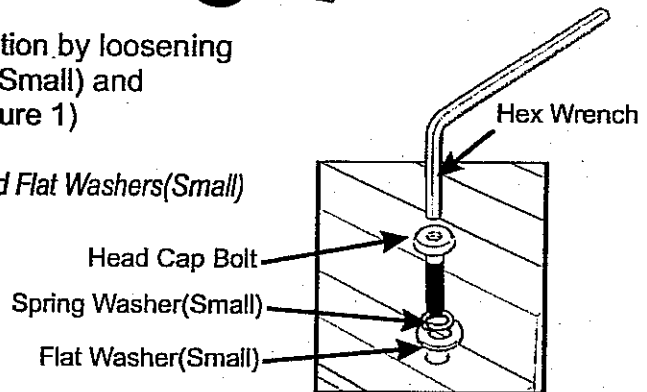


Figure 1

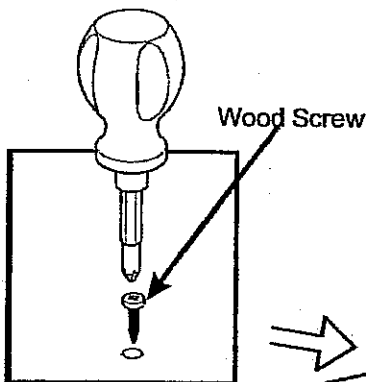
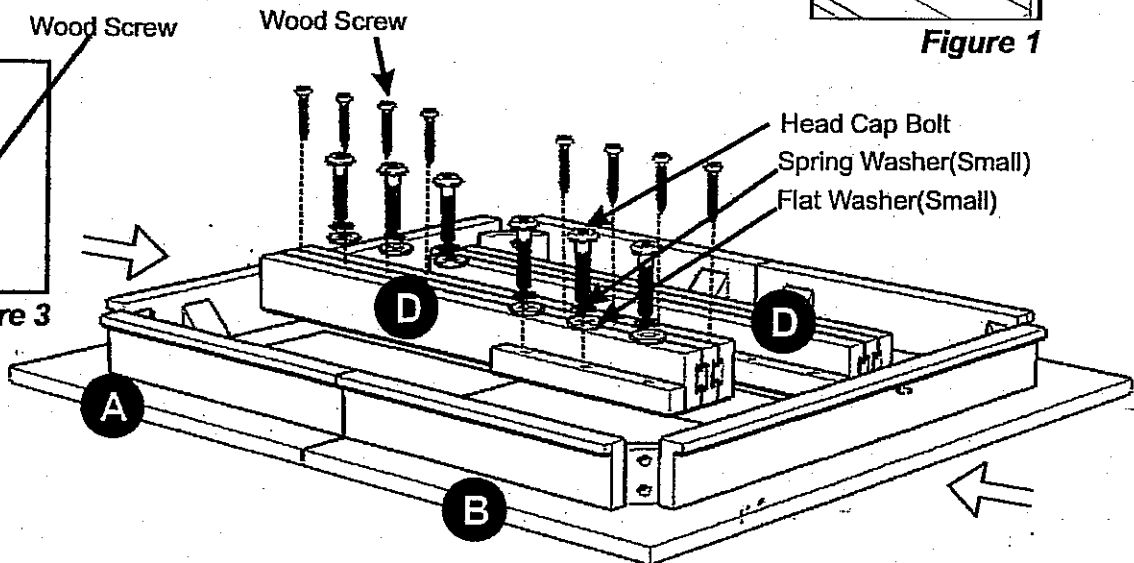


Figure 3



STEP 2

Attach Top (A) with (B), by aligning dowels with the holes and firmly pushing together.

Engage the locks by turning their handles clockwise $\frac{1}{4}$ turn (see Figure 2).

Attach Table Slides (D) to the unit using Head Cap Bolts, Spring Washers(Small) and Flat Washers(Small). Tighten Wood Screws (see Figure 3).

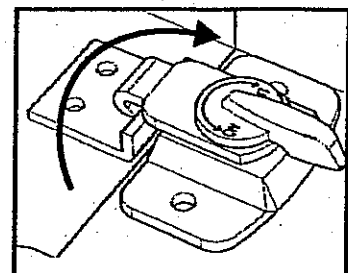
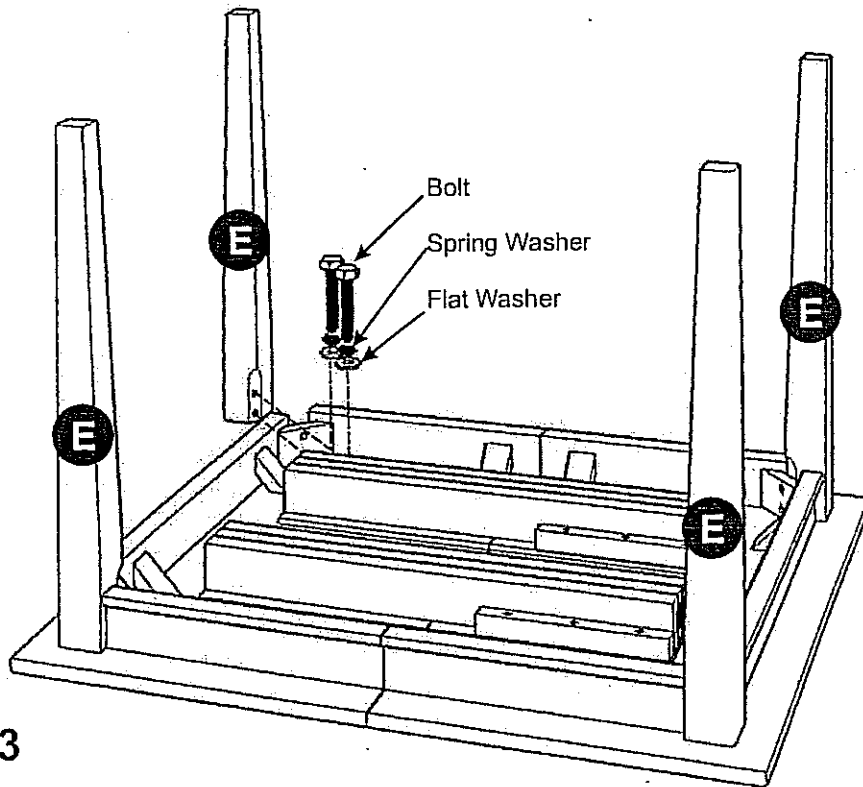


Figure 2



STEP 3

Attach Legs (E) to the unit with Flat Washers, Spring Washers and Bolts see Figure 3.
Turn the table over to its' upright position.

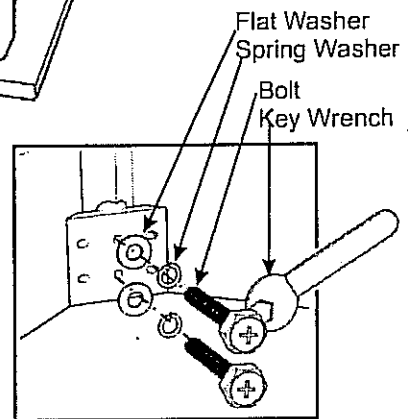
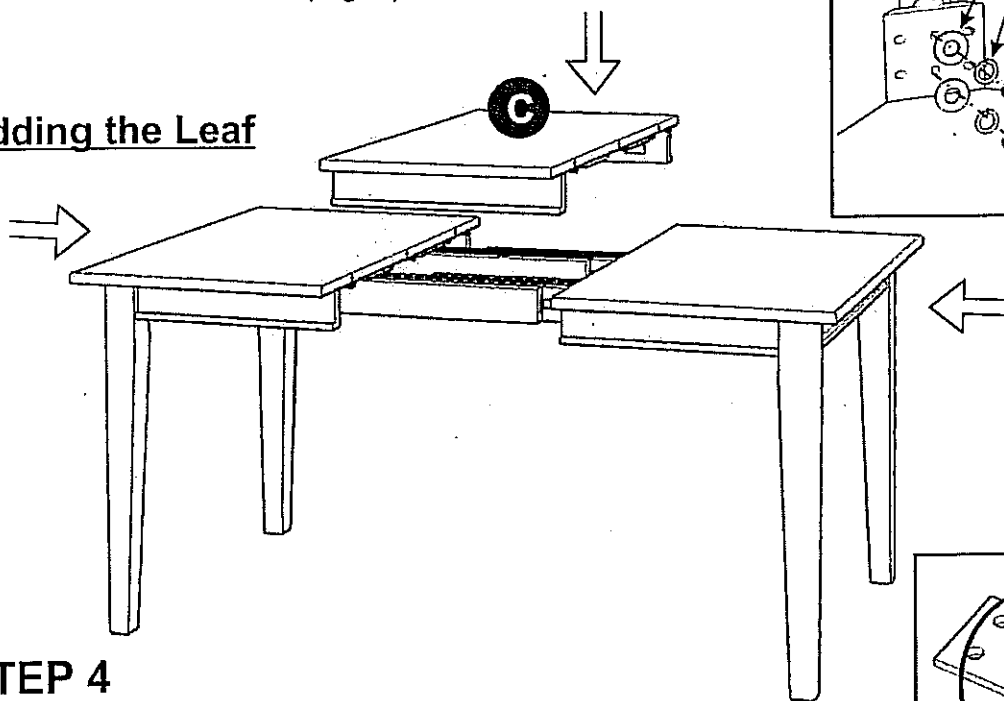


Figure 3

Adding the Leaf



STEP 4

Disengage the locks by turning their handles counter-clockwise $\frac{1}{4}$ turn (see Figure 4).

Pull out both sides of the table, then place Leaf (C) in the unit as shown, aligning the dowels with the holes.

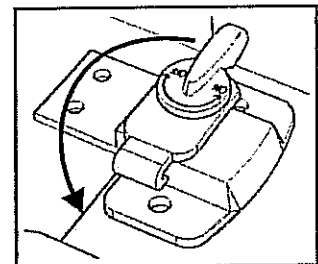


Figure 4

Push the table together firmly, then engage the locks by turning their handles clockwise $\frac{1}{4}$ turn (see Figure 2).

VERY IMPORTANT !!

CARING INSTRUCTIONS

NEVER

USE GLASS CLEANERS ON FINISHED FURNITURE. AMMONIA WILL CHEMICALLY ATTACK THE LACQUER.

NEVER

ALLOW LIQUIDS OF ANY KIND TO REMAIN IN DECORATIVE ROUTE LINES. ABSORPTION CAUSES WOOD TO WARP AND FINISHED TO DE-LAMINATE.

DO NOT WRITE DIRECTLY ON SURFACE.



PREVENT MARKING

DO NOT PLACE IN DIRECT SUNLIGHT.



PREVENT FADING

DO NOT USE COMMERCIAL WAXES AND POLISHES.



PREVENT YELLOWING

DO NOT PLACE HOT KETTLES POTS, ETC ON SURFACE.



PREVENT DAMAGETOFINISH!

DO NOT USE RUBBER-BASED PLACEMATS USE CLOTHS!



PREVENT DISCOLORING

TO CLEAN

SIMPLY USE A SOFT CLOTH MOISTENED IN LEMON OIL POLISH OR LUKEWARM SOAP & WATER THEN BUFF WITH A DRY CLEAN CLOTH!

