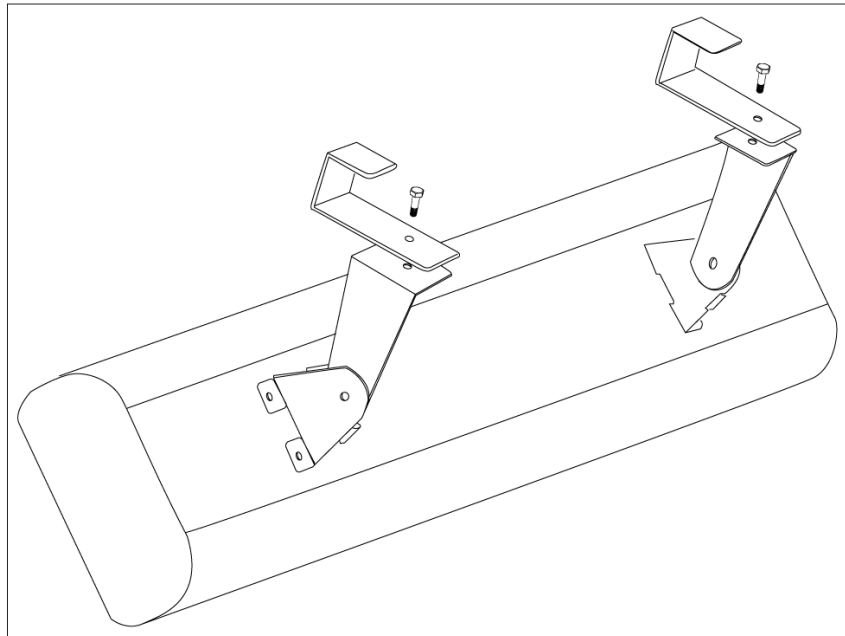


# Instruction Manual

## Free Clips for Wall-Mounted Infrared Electric Heater

**Buyer's Attention:** The infrared heater that goes with these free clips isn't included separately. If you find you need one, simply scan the QR code below to make a purchase from our shopify store at your convenience.

**Step1:** Find the two pre-drilled holes at the back of heater, align the holes of the clips with them, and secure them in place with screws and nuts.



**Step2:** Find the bar under the gazebo's roof panels, align the tail end of the clips with the gap between the bar and the roof panels, and insert it (remember to fully insert the clip and double-check that the heater is securely fixed).

