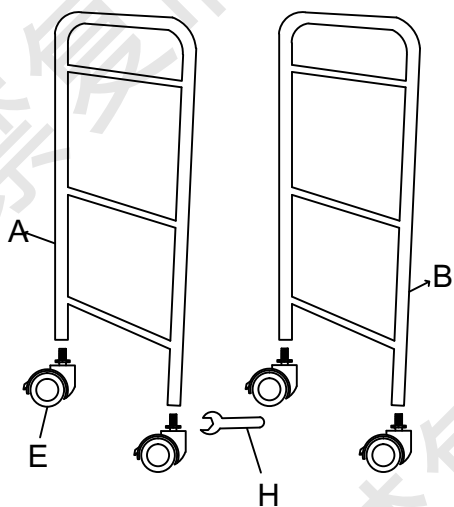




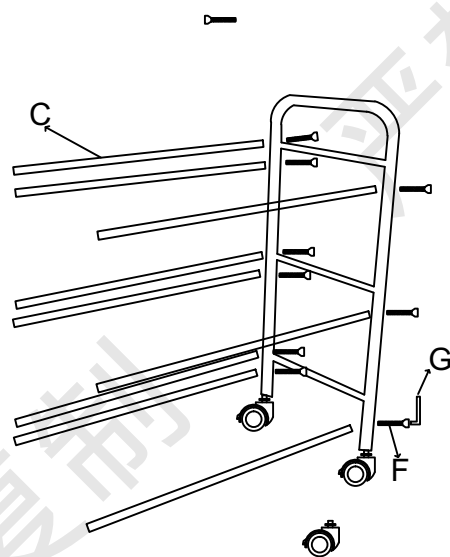
Accessories list:

A		1
B		1
C		9
D		3
E		4
F		18
G		1
H		1

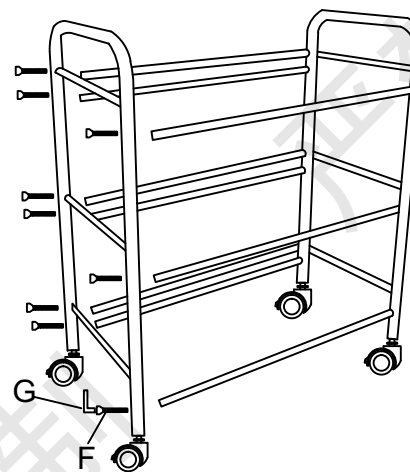
1



2



3



4



5



Installation instructions:

Step 1: install the caster and press hard.

Just put it in place. The holes on both sides of the shelf are different. The inner side is a round hole and the outer side is a concave round hole. During installation, the outer concave round hole shall be outward.

Step 2; install the support rod. Step 3; the same as step 2. adjust the back of the bracket and then tighten the screws.

Step 4: install the panel. The front of the panel is flat, The back side is grooved surface. When installing, press the grooved surface downward and onto the beam to install the panel.

Step 5: installation is complete.