



# LEISUREMOD

Your own classic™

## *Double Chair Assembly Guide*



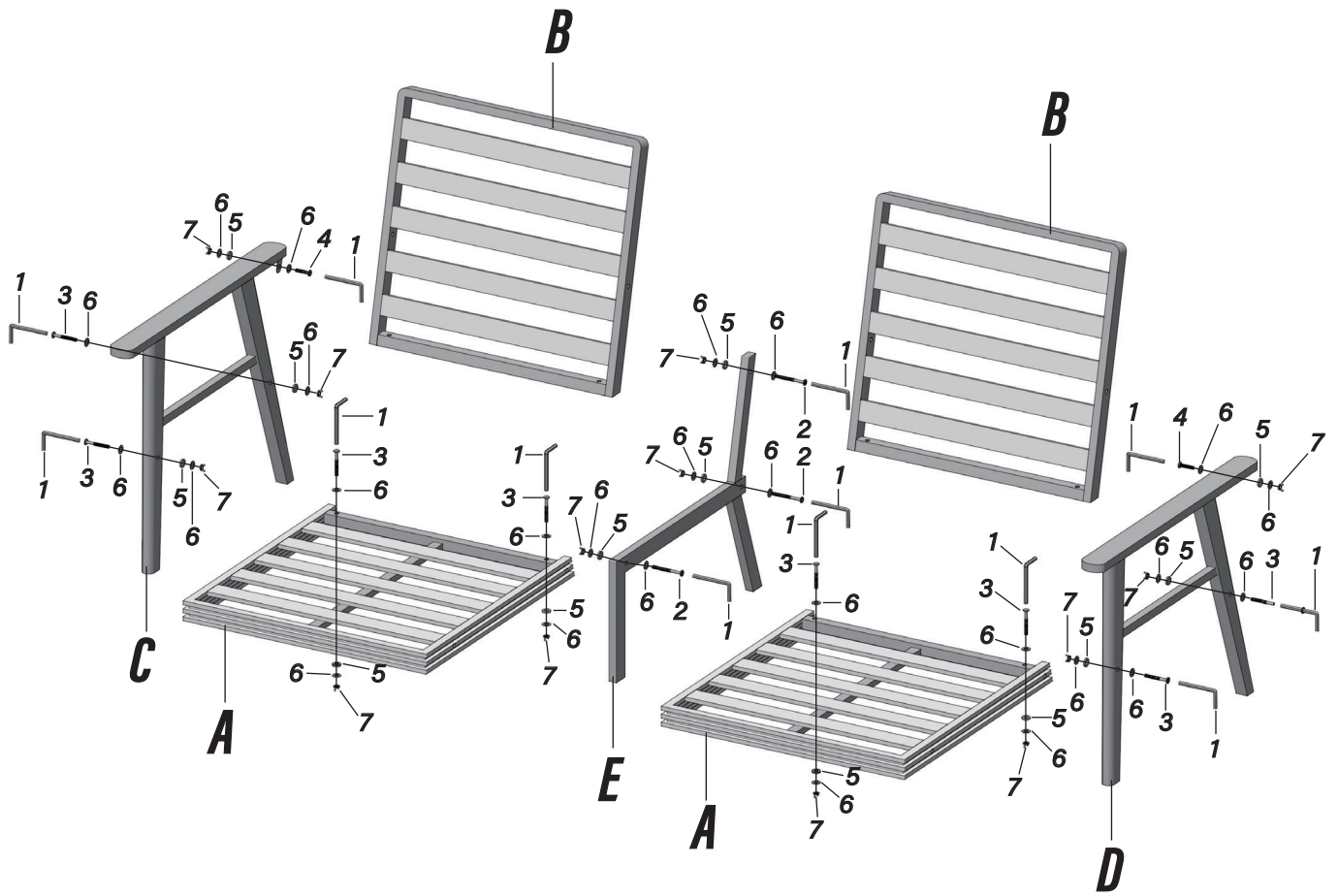


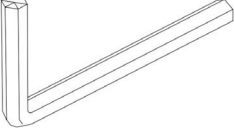


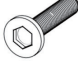



## ***READ BEFORE INSTALLATION***

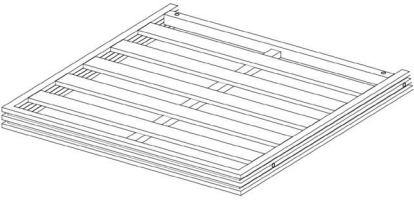
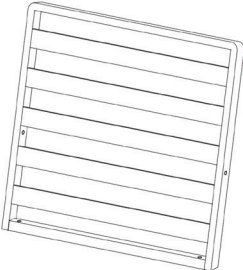
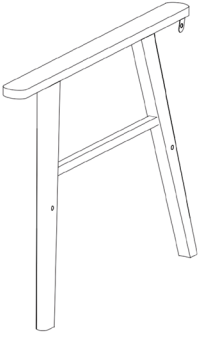
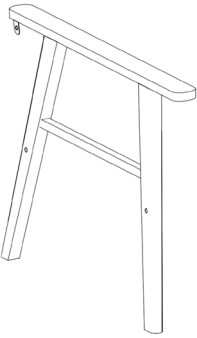
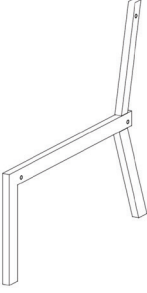
- 1.Placing the product on a soft and smooth surface is desperately needed during the installation such as rug or carpet.*
- 2.Do not tighten all screws until full set up.*
- 3.Please use the low speed when you are using an electric power tool.*
- 4.Two persons are recommended for assembly.*
- 5. You can scan the QR code below with your phone to watch a more detailed assembly video.*



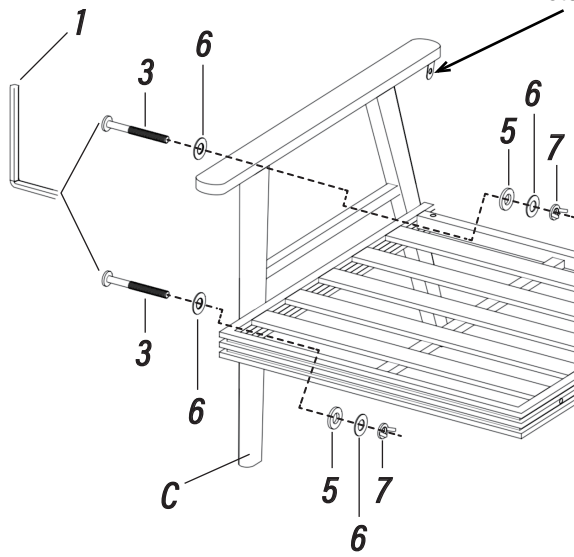
# Product explosion diagram



<p><b>1</b></p>  <p>1 pcs</p>	<p><b>2</b> m6 x 75mm</p>  <p>3 pcs</p>	<p><b>3</b> m6 x 65mm</p>  <p>8 pcs</p>	<p><b>4</b> m6 x 35mm</p>  <p>2 pcs</p>	<p><b>5</b></p>  <p>13 pcs</p>
<p><b>6</b></p>  <p>26 pcs</p>	<p><b>7</b></p>  <p>13 pcs</p>			

<p><b>A</b></p>  <p>2 pcs</p>	<p><b>B</b></p>  <p>2 pcs</p>	<p><b>C</b></p>  <p>1 pcs</p>
<p><b>D</b></p>  <p>1 pcs</p>	<p><b>E</b></p>  <p>1 pcs</p>	

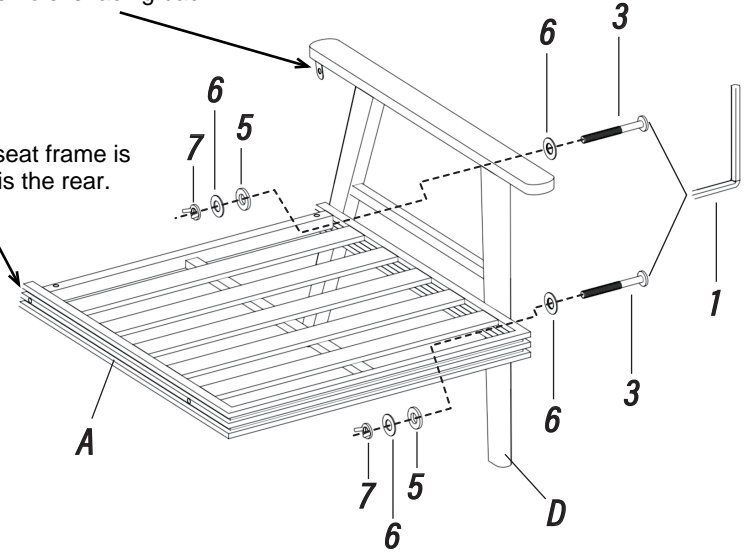
1



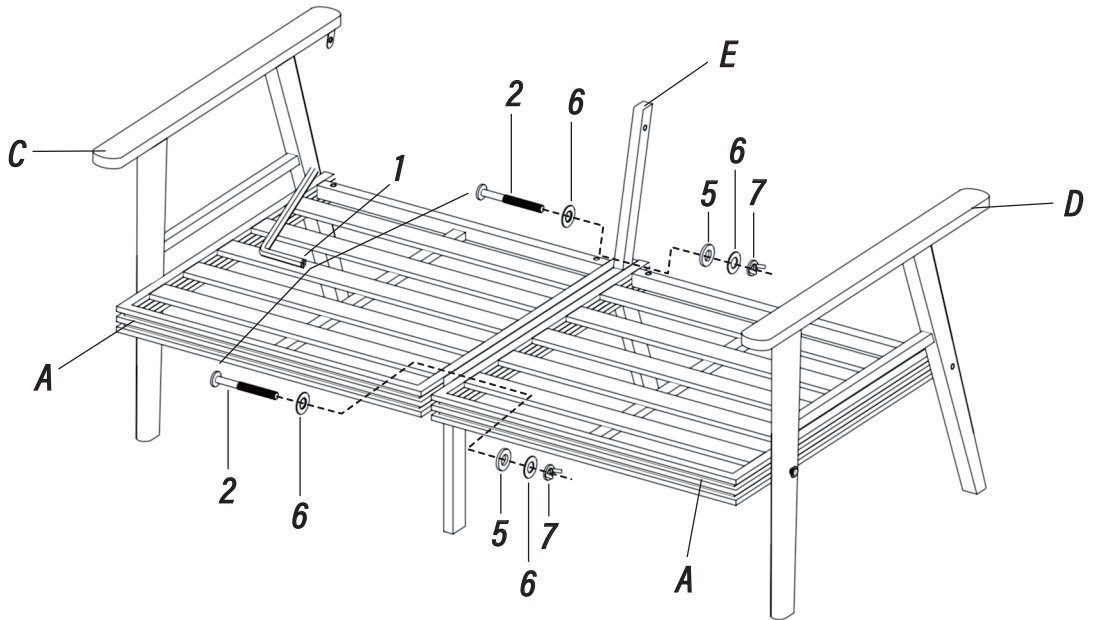
2

When installing the armrest frame, please note that the end with the hole is facing back.

The edge of the seat frame is sloped, this side is the rear.



3



4

