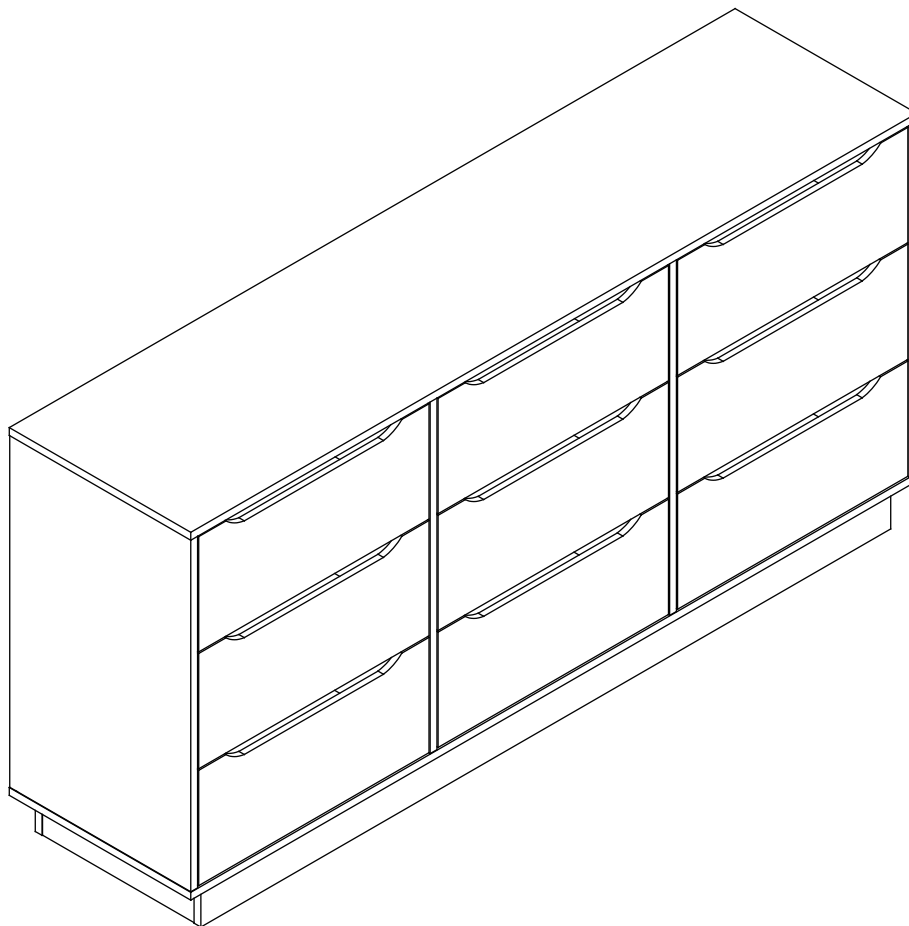
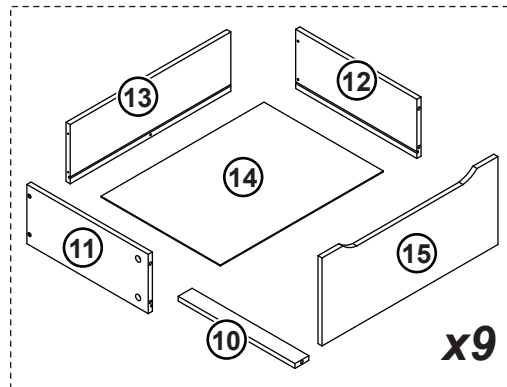
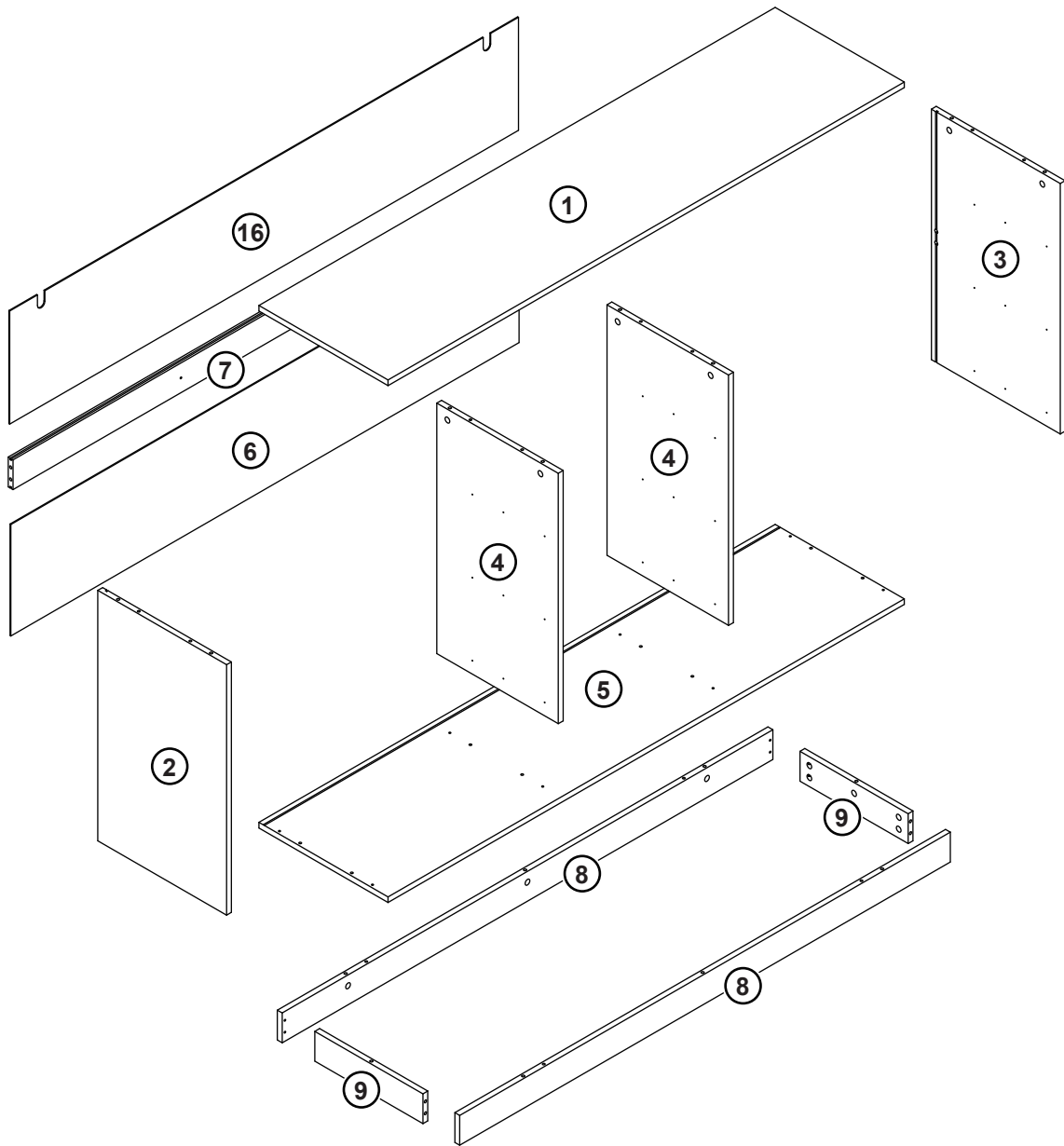


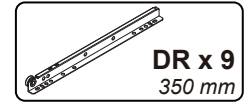
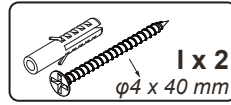
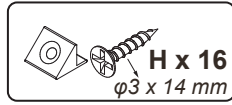
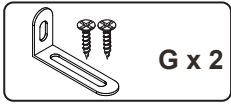
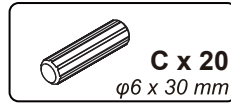
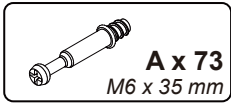
Installation & Assembly



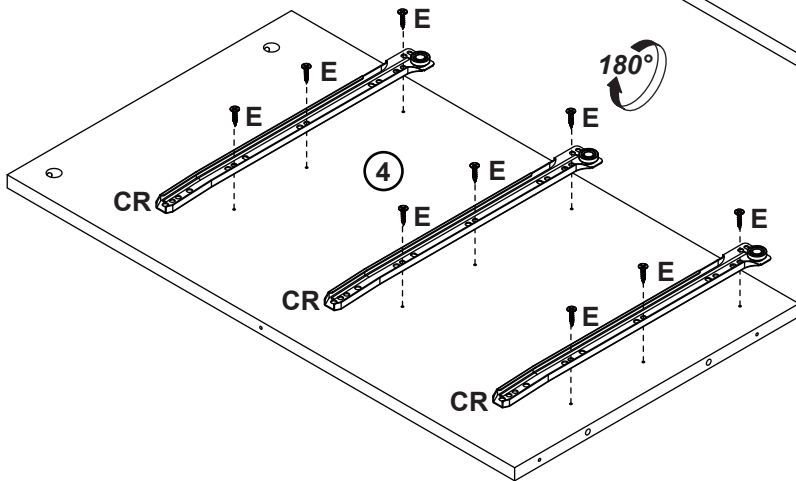
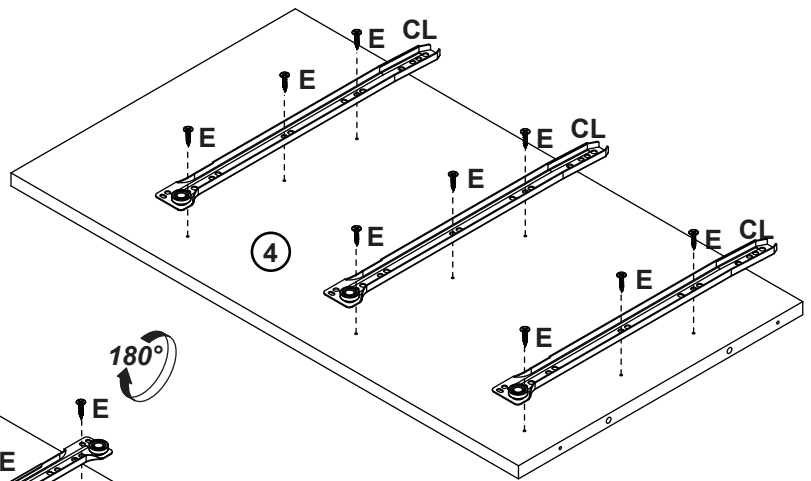
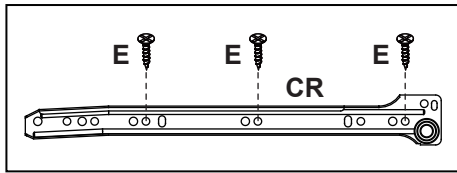
Exploded View



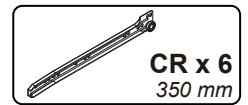
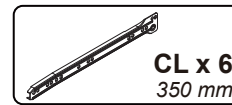
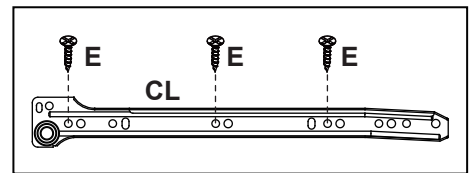
Fitting



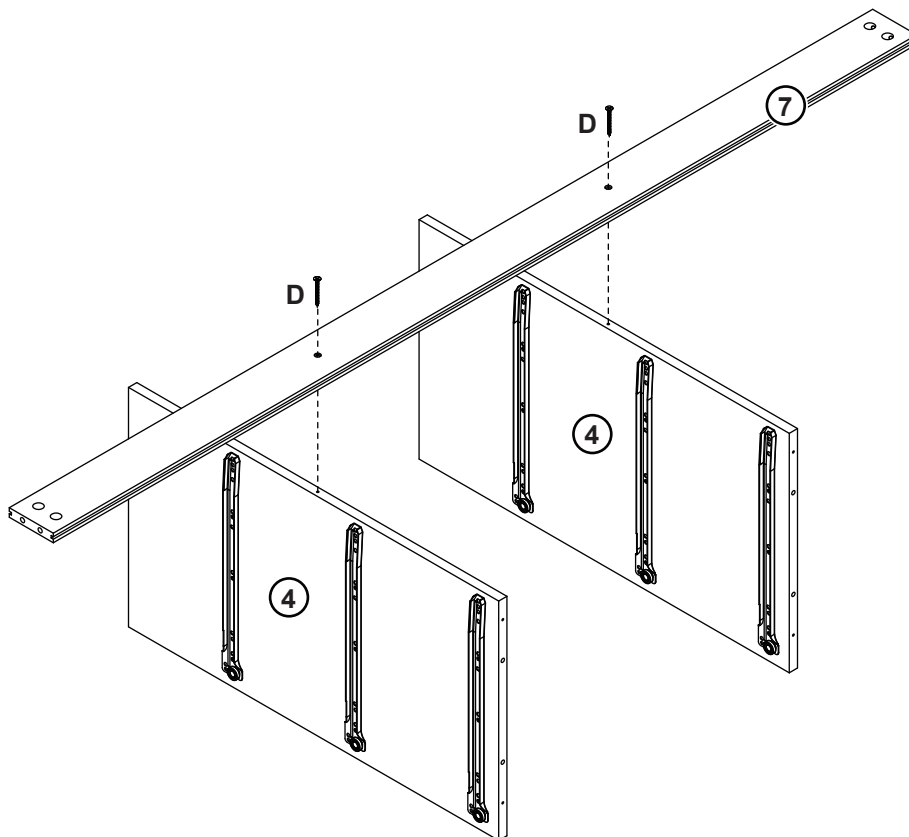
Step 1



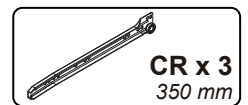
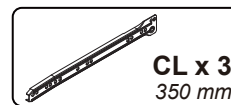
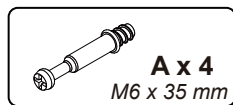
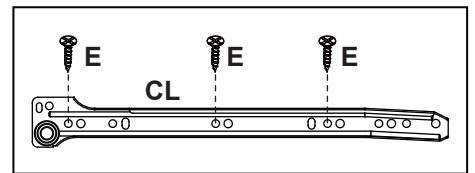
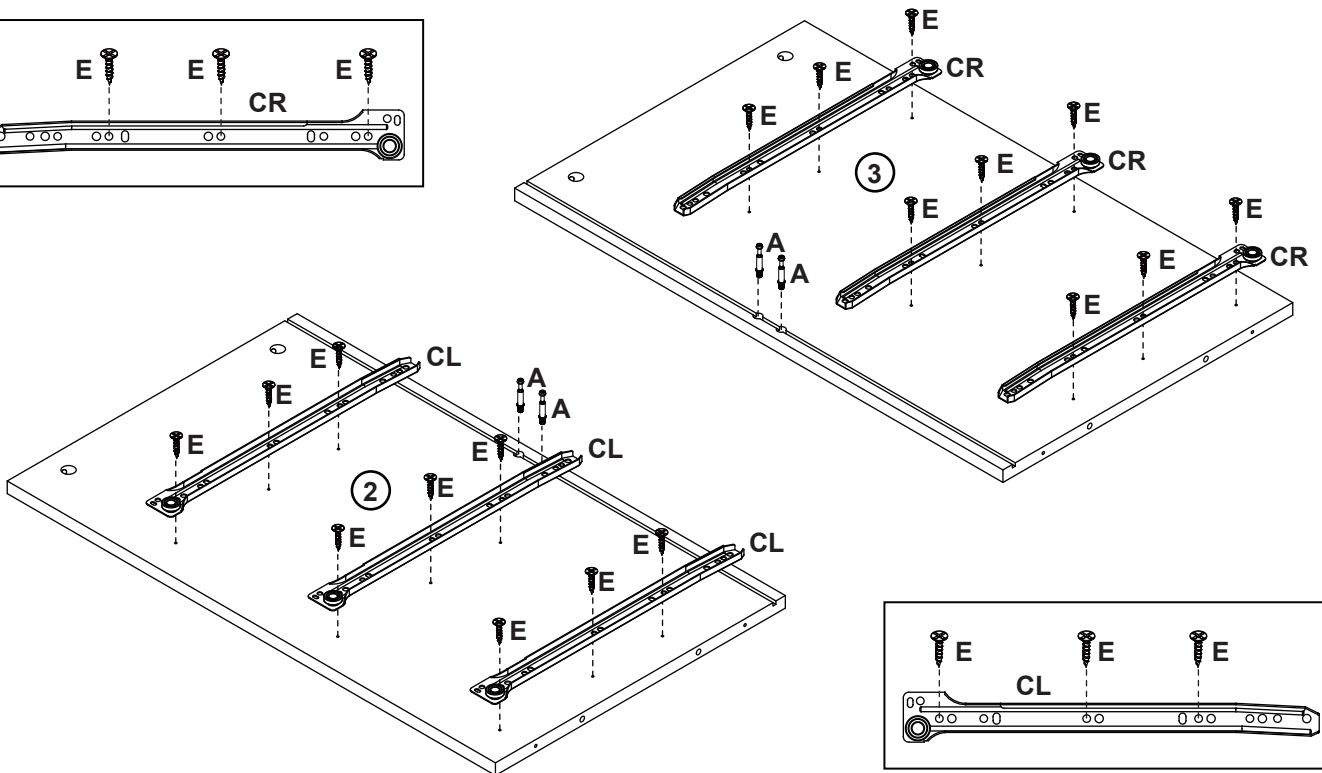
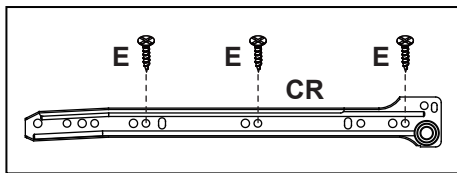
x2



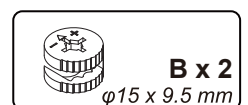
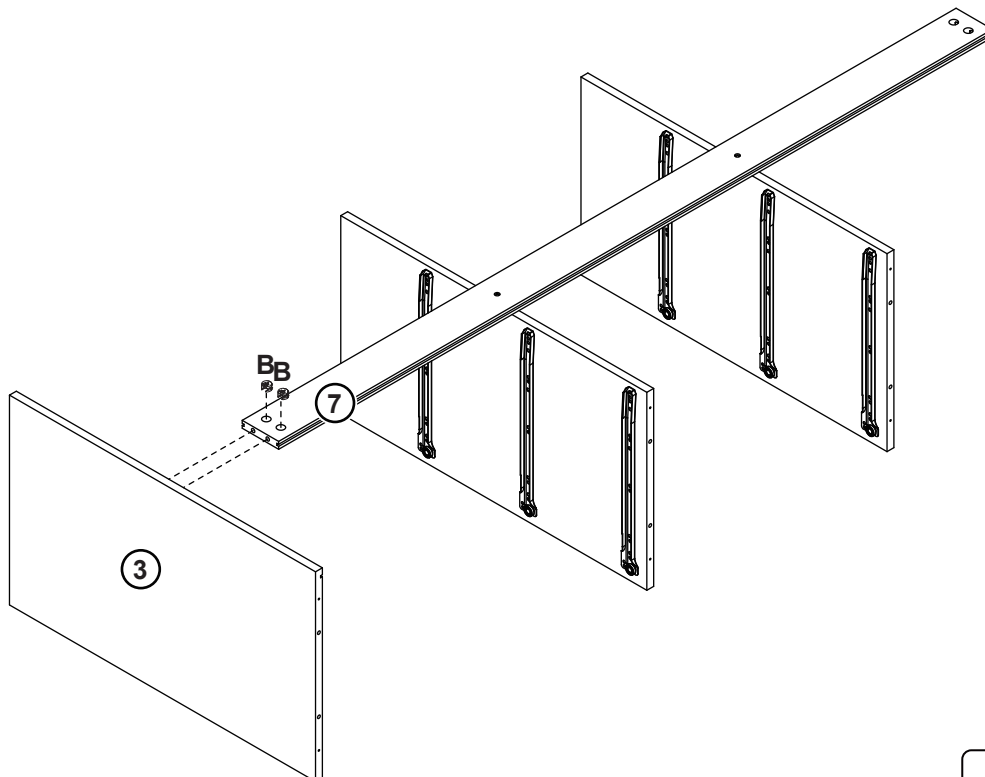
Step 2



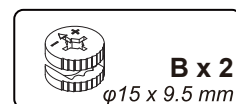
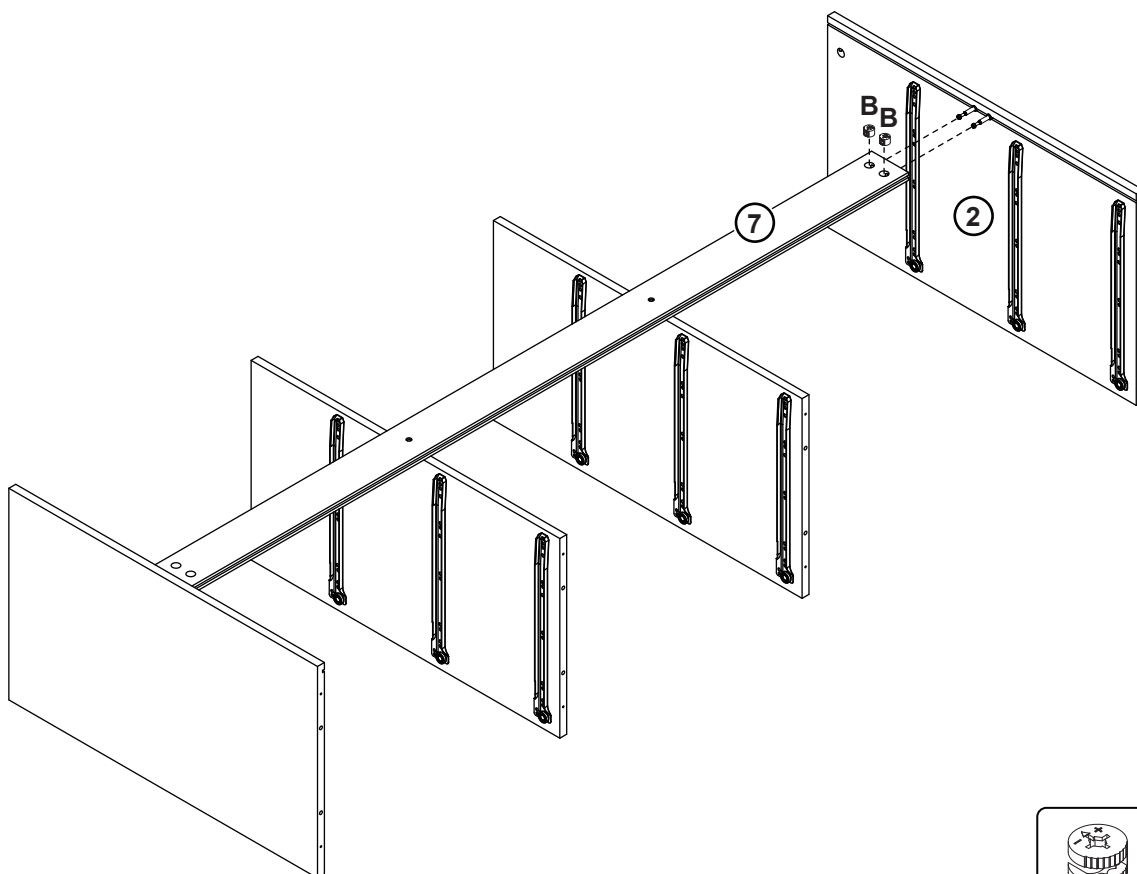
Step 3



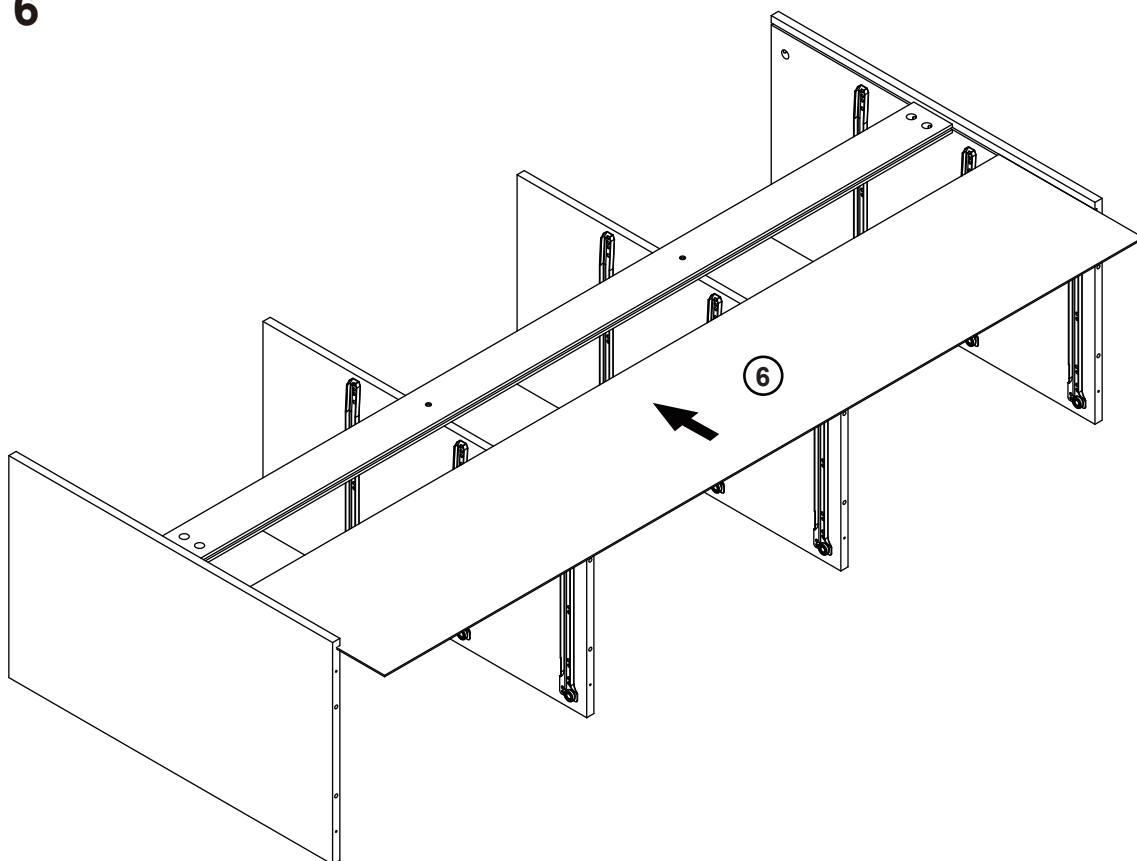
Step 4



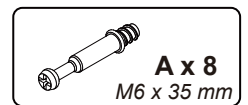
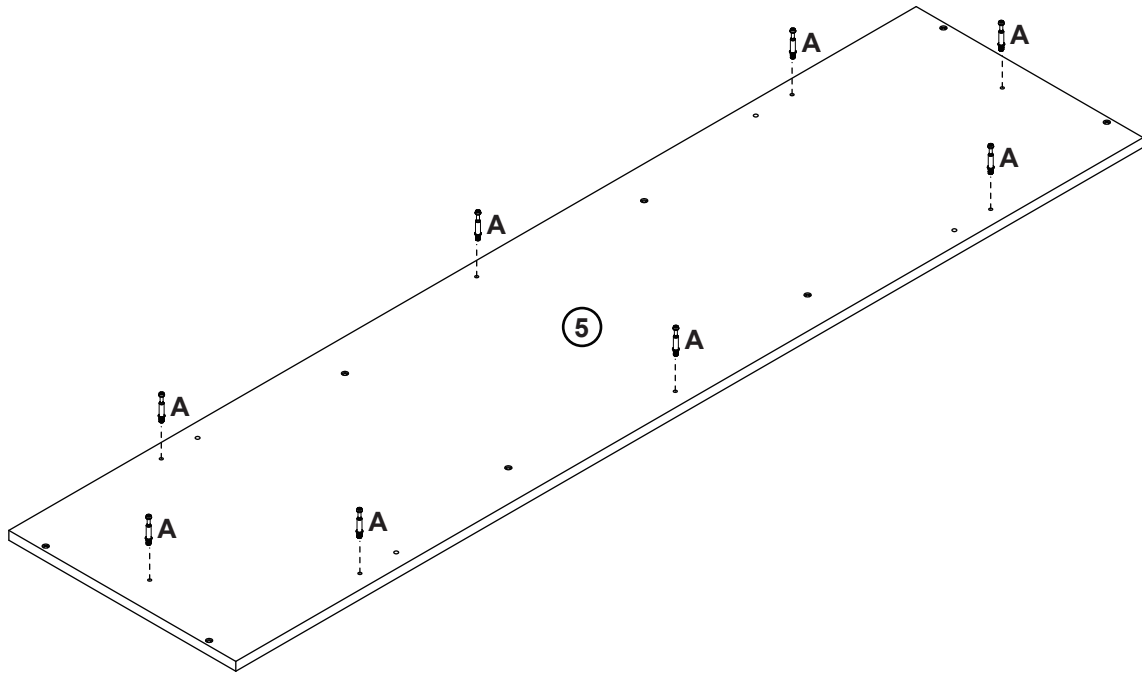
Step 5



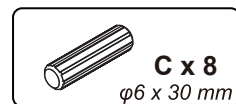
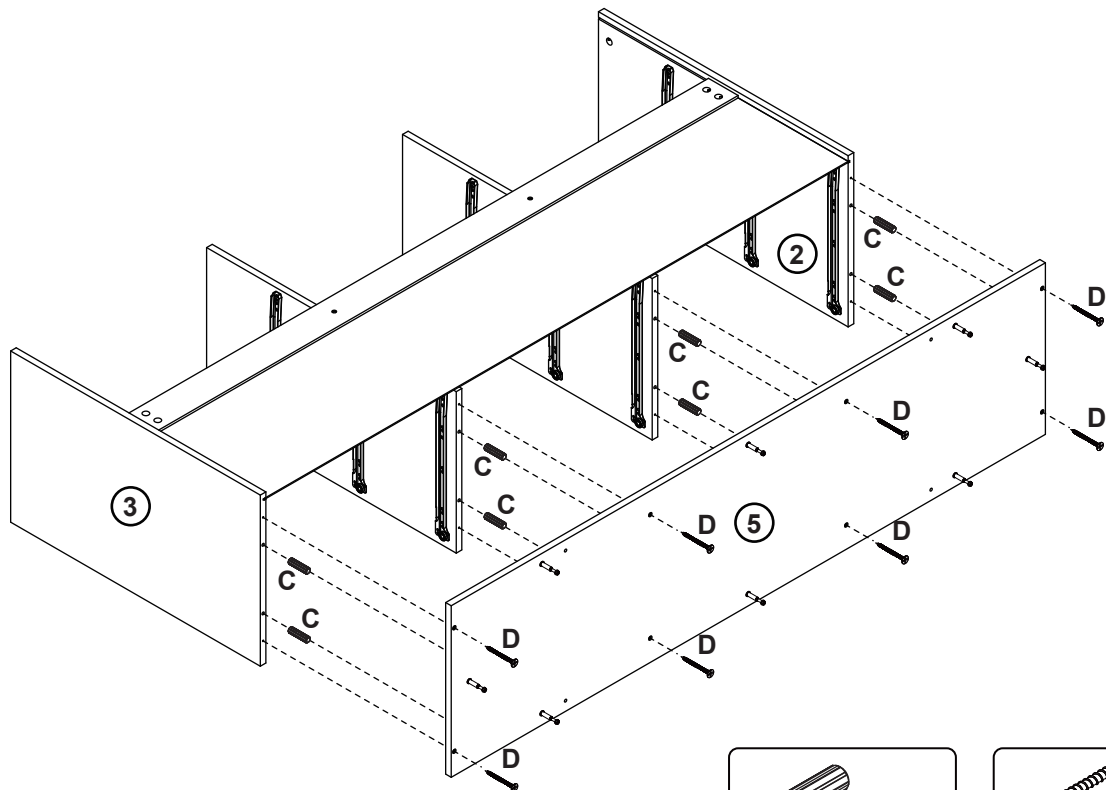
Step 6



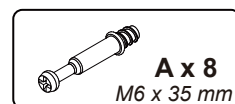
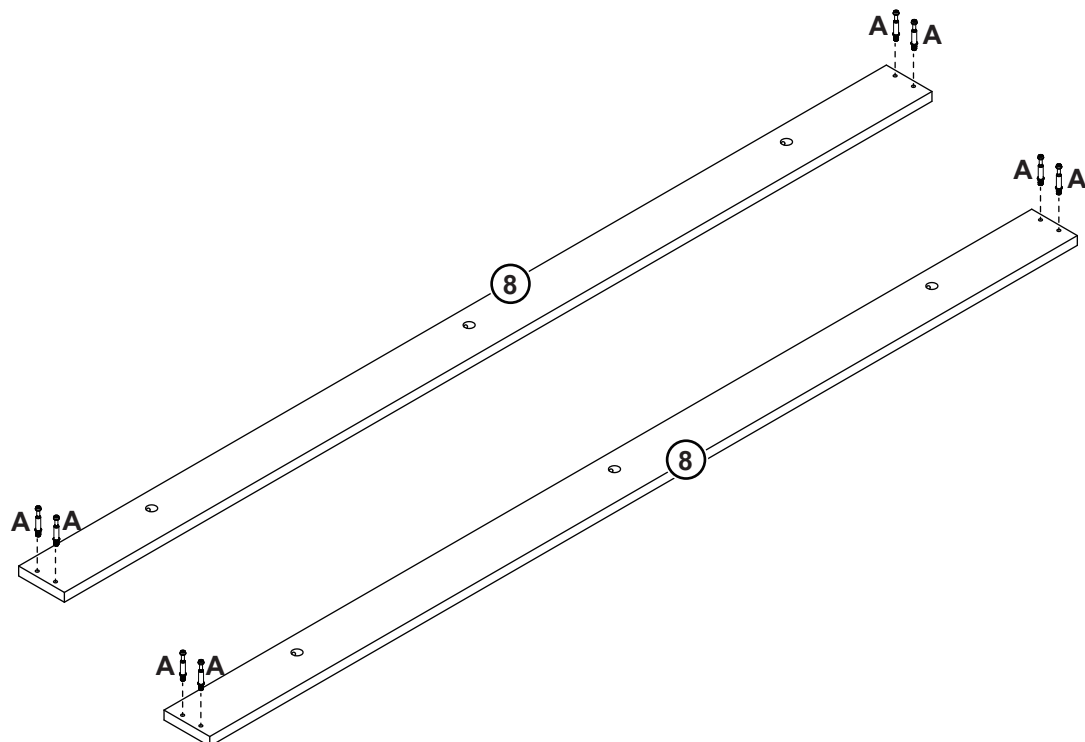
Step 7



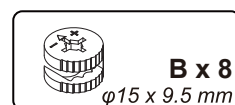
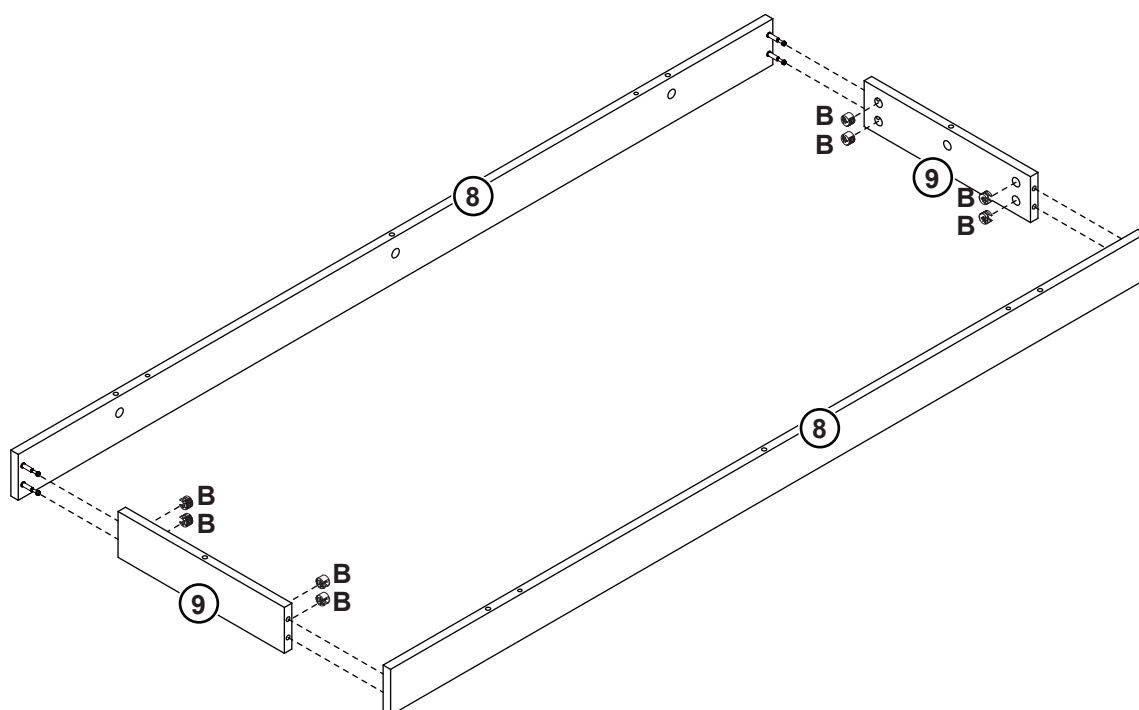
Step 8



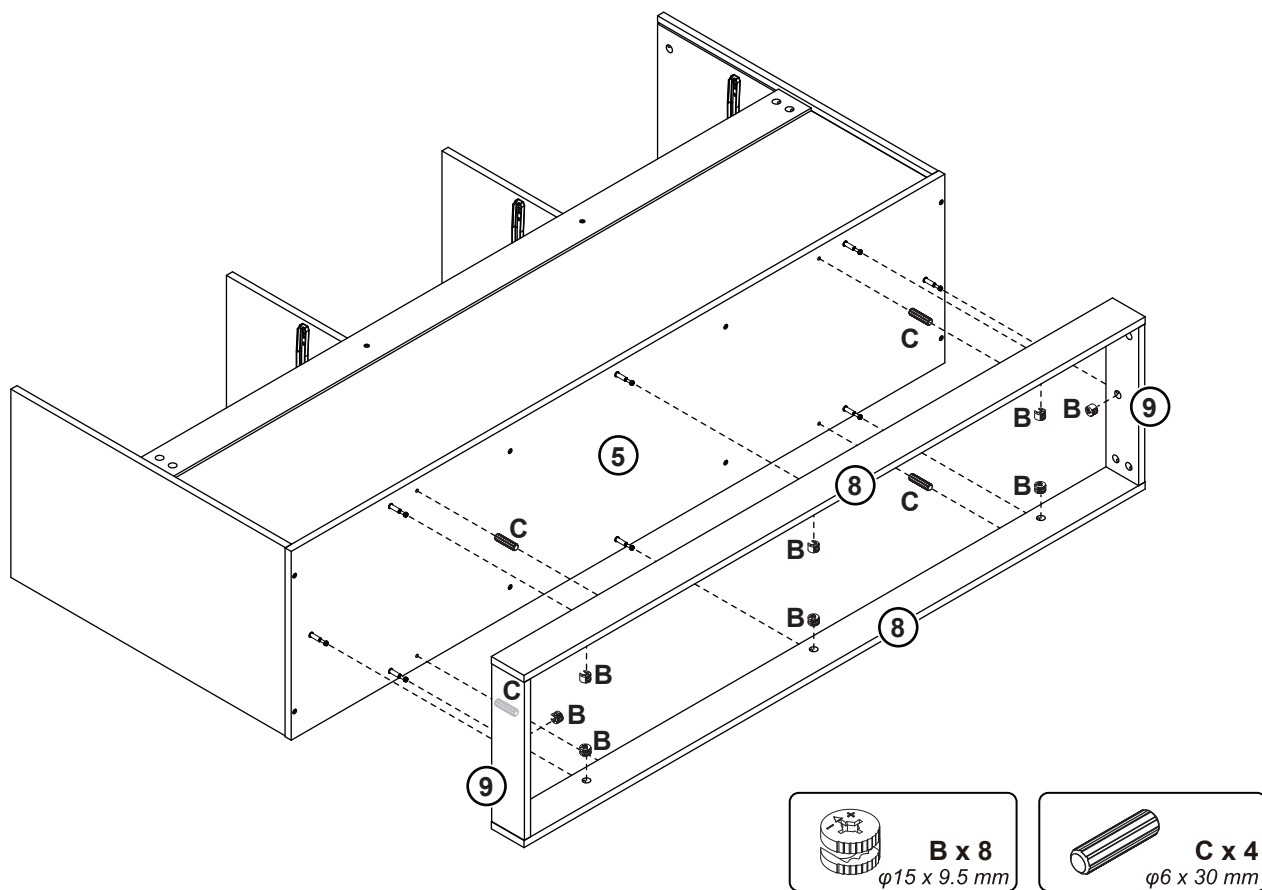
Step 9



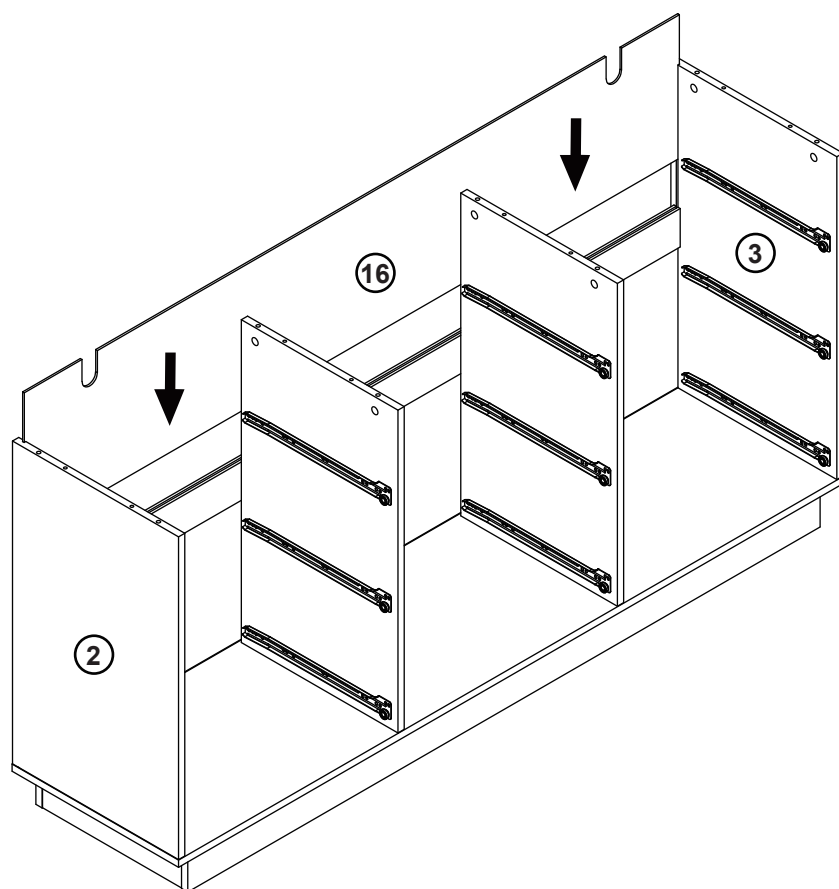
Step 10



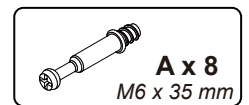
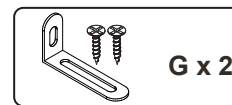
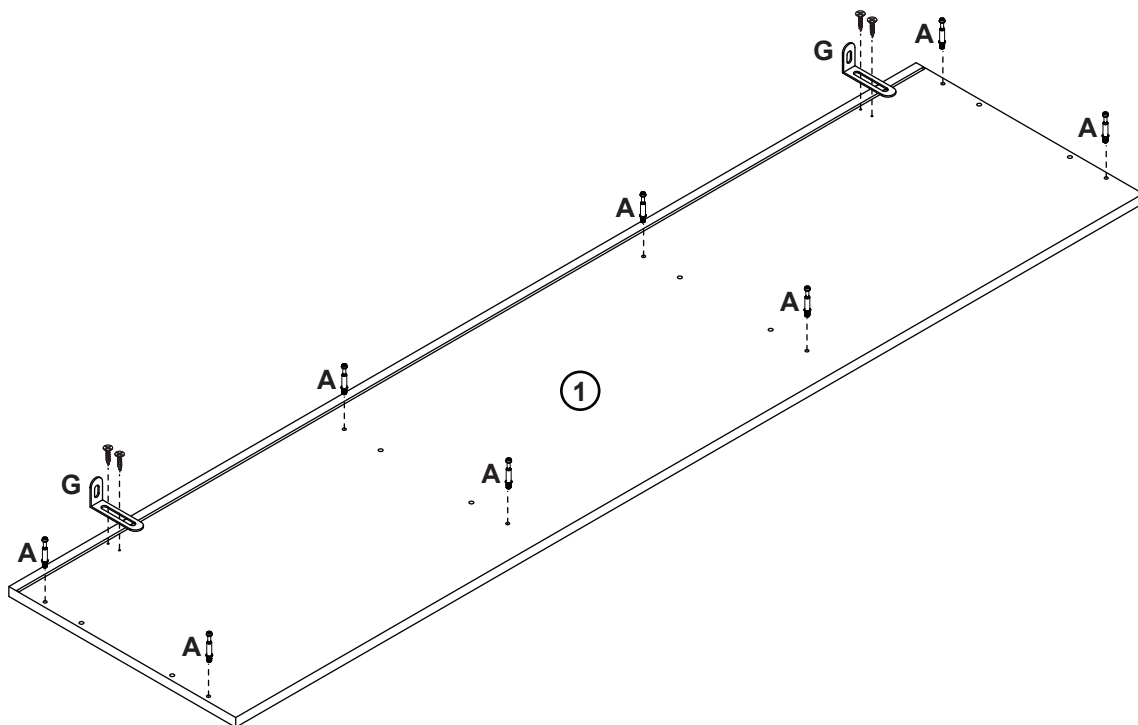
Step 11



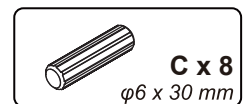
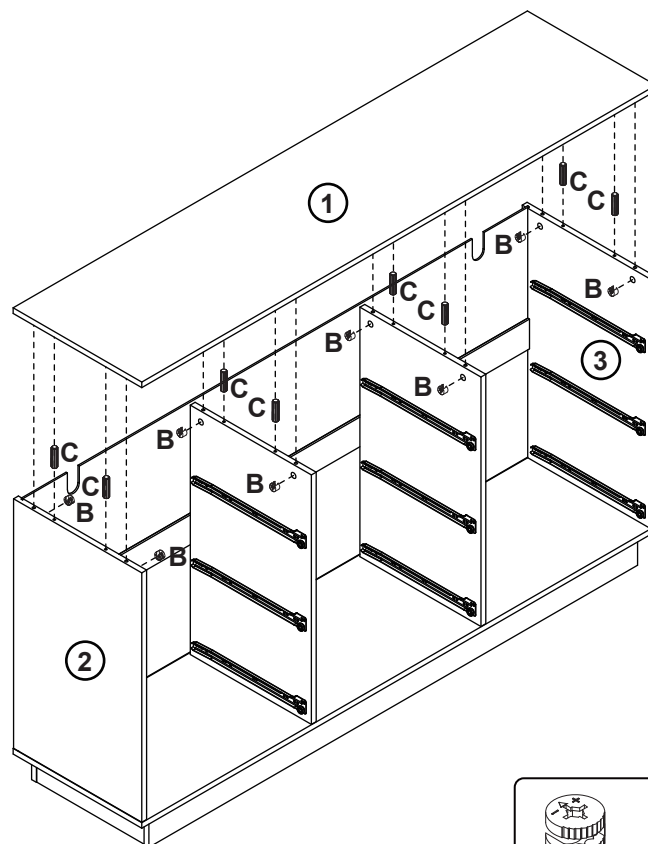
Step 12



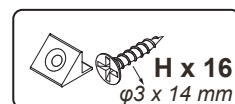
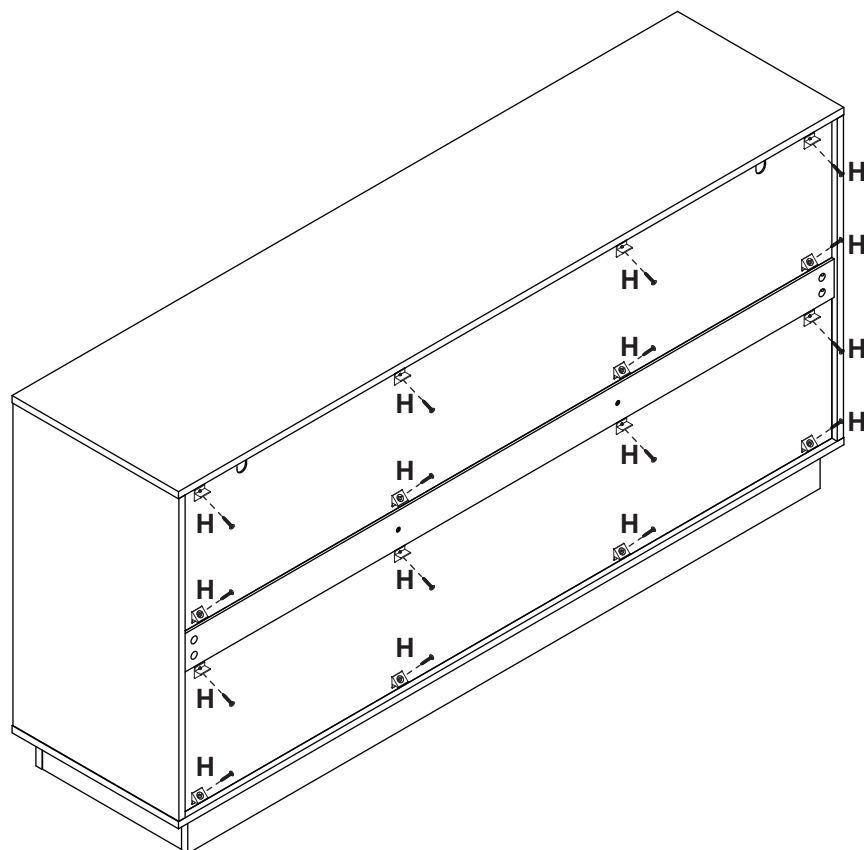
Step 13



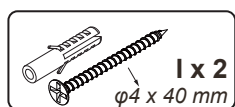
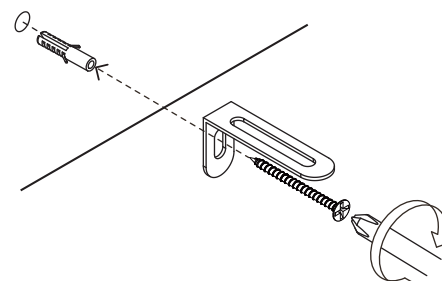
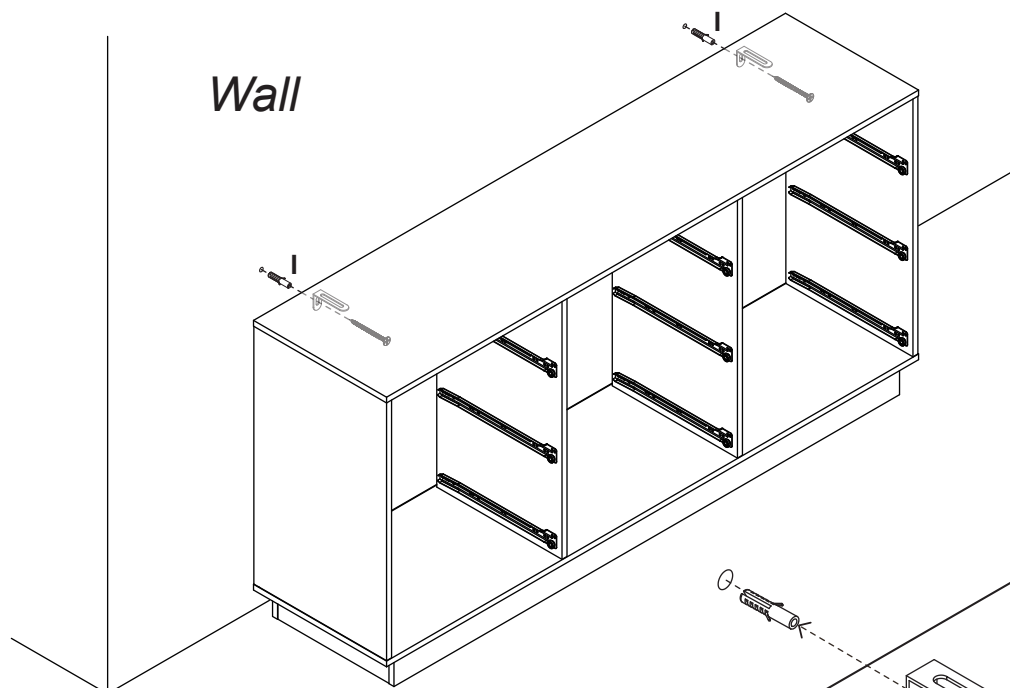
Step 14



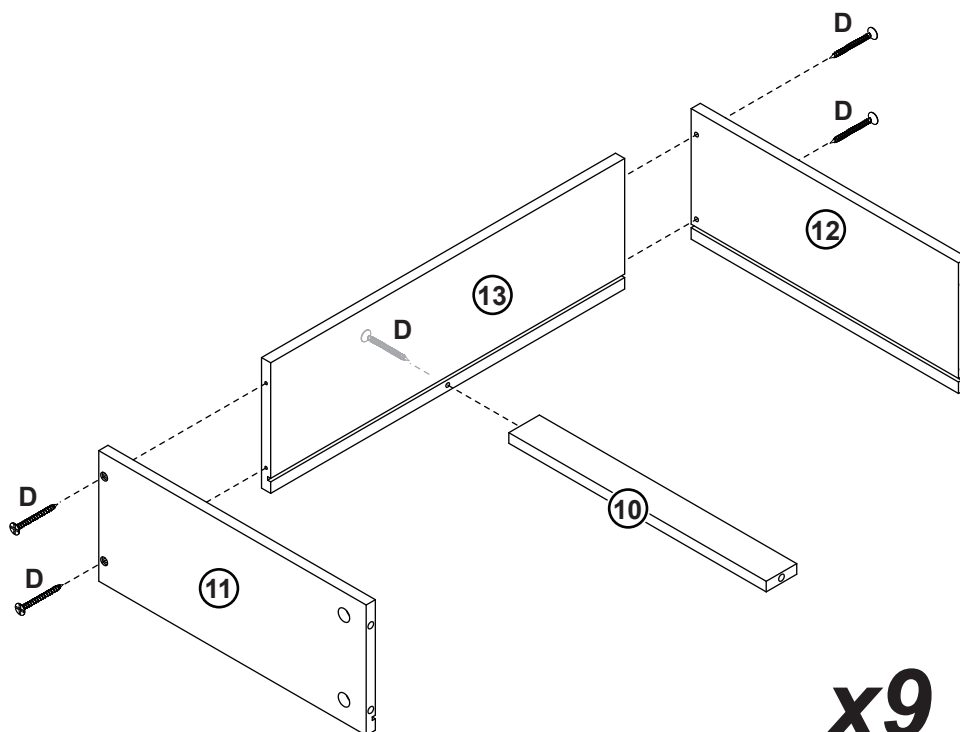
Step 15



Step 16



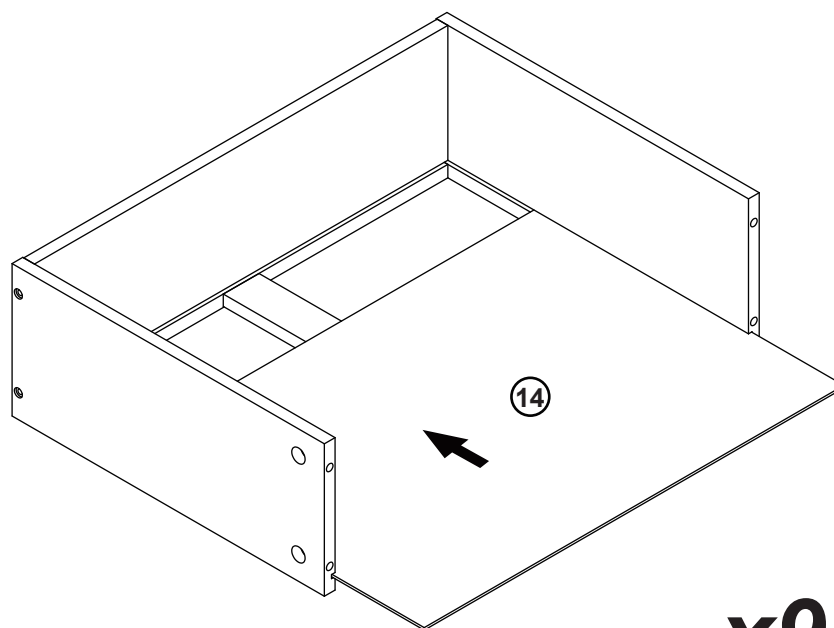
Step 17



x9

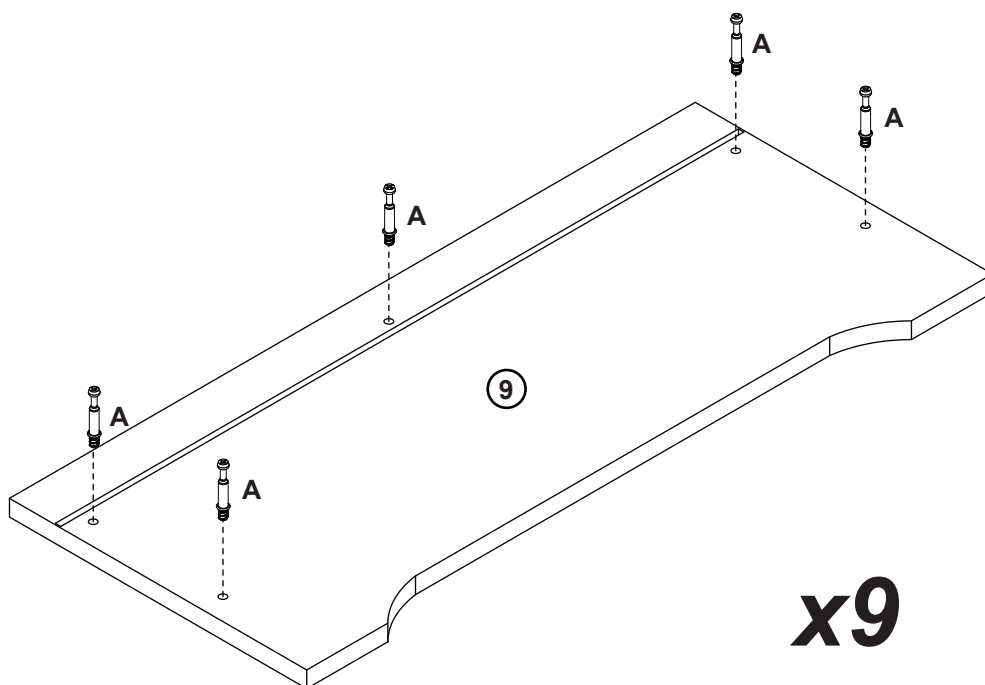


Step 18

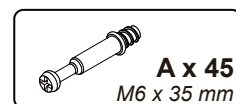


x9

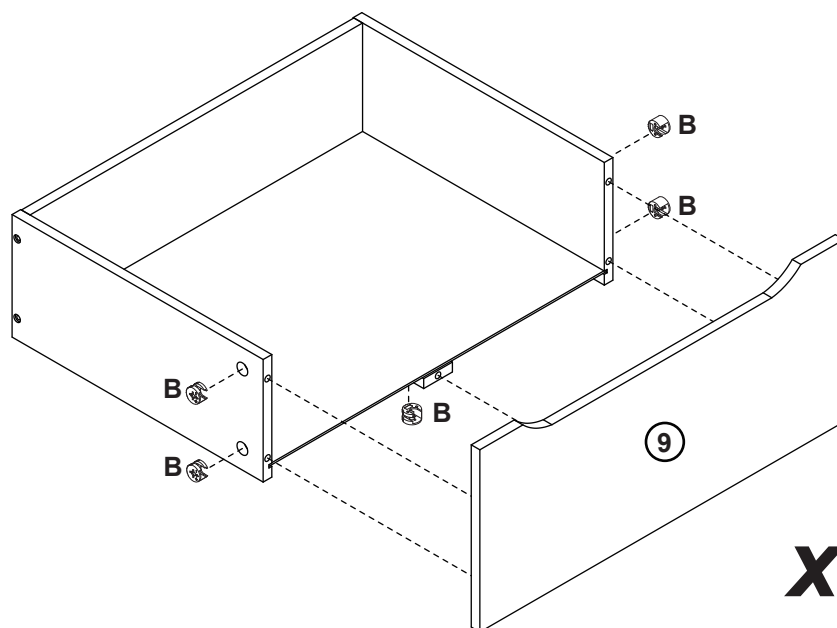
Step 19



x9



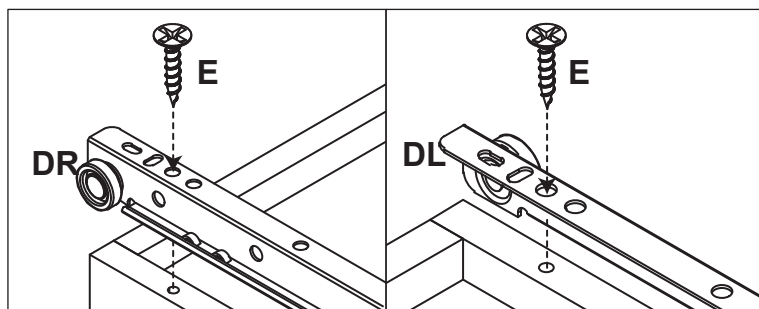
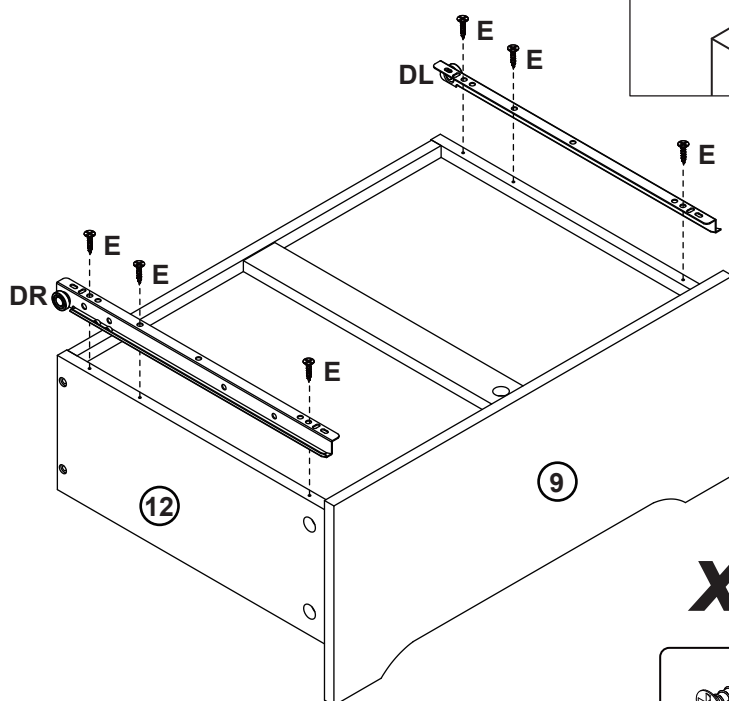
Step 20



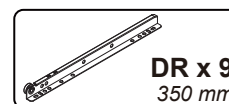
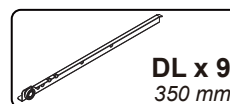
x9



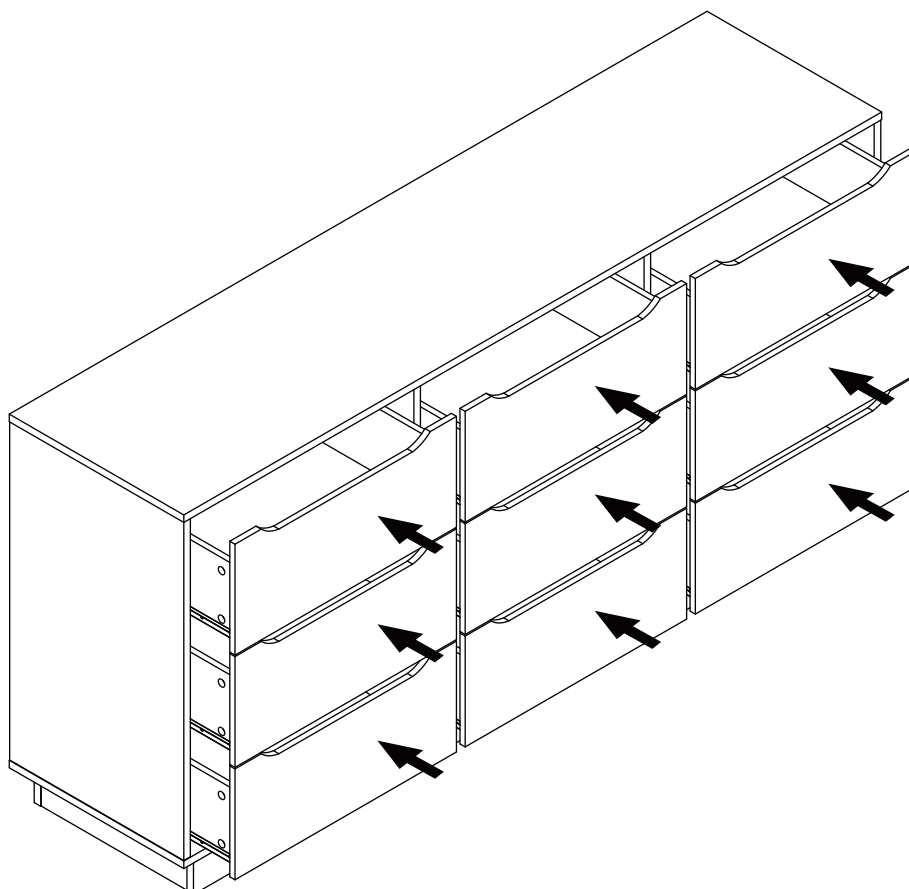
Step 21



x9



Step 22



Step 23

