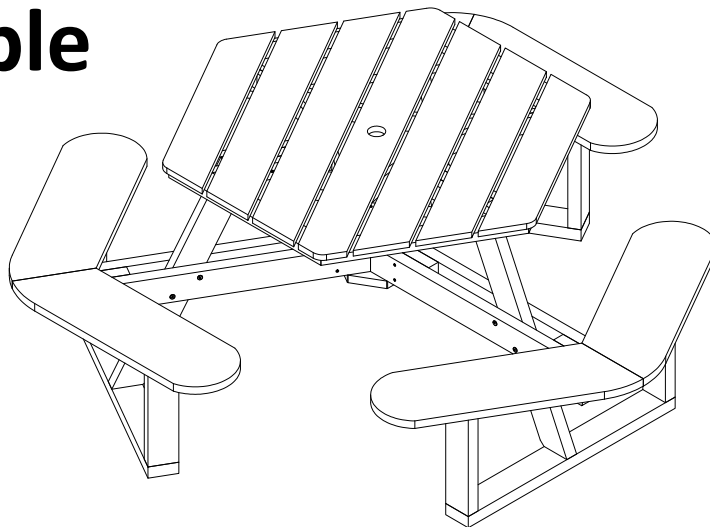
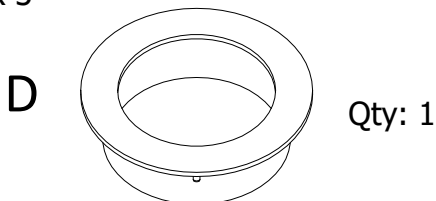
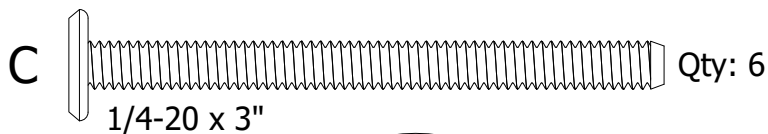
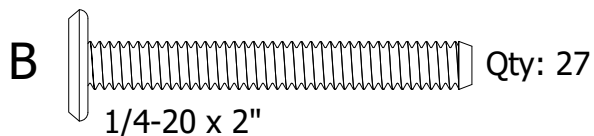
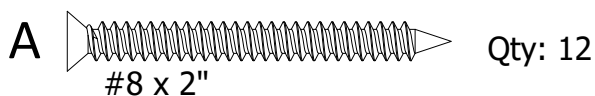


Hexagon Picnic Table

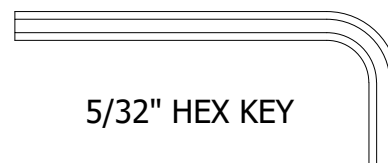
Assembly Guide



HARDWARE INCLUDED



TOOLS INCLUDED



5/32" HEX KEY



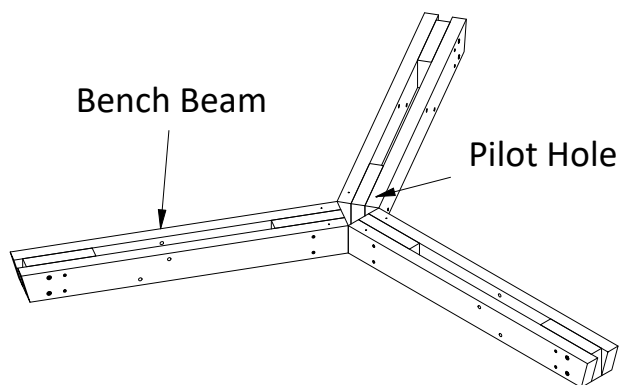
#2 Square Bit

CUSTOMER SUPPLIED TOOLS

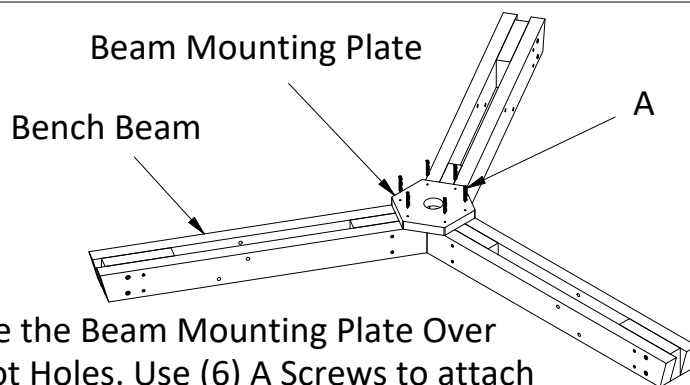
Cordless screwdriver/drill OR
multi-bit handle for the square bit

IMPORTANT!

DO NOT fully tighten bolts until all bolts are started.

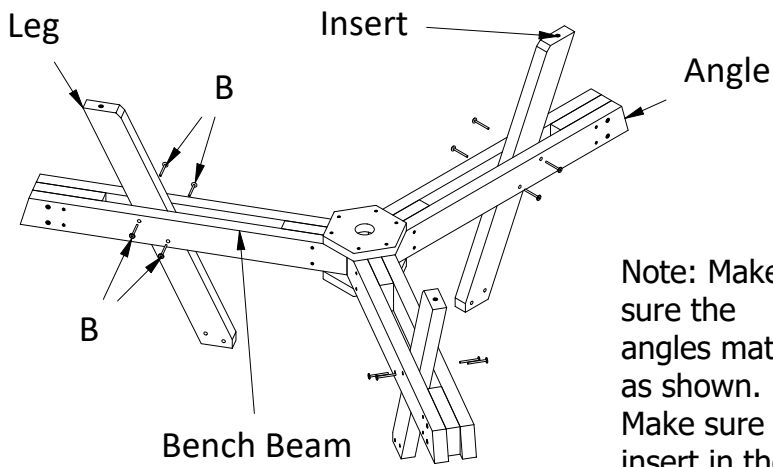


1) Grab the Bench Beams. There will be 3 of them. Place them as shown in the diagram. The middle will form a triangle where there will be 6 pilot holes.



2) Place the Beam Mounting Plate Over the Pilot Holes. Use (6) A Screws to attach the Beam Mounting Plate to the Bench Beams.

3) Flip this Assembly over and Repeat Step 2 on the Other Side to Attach the Beam Mounting Plate.

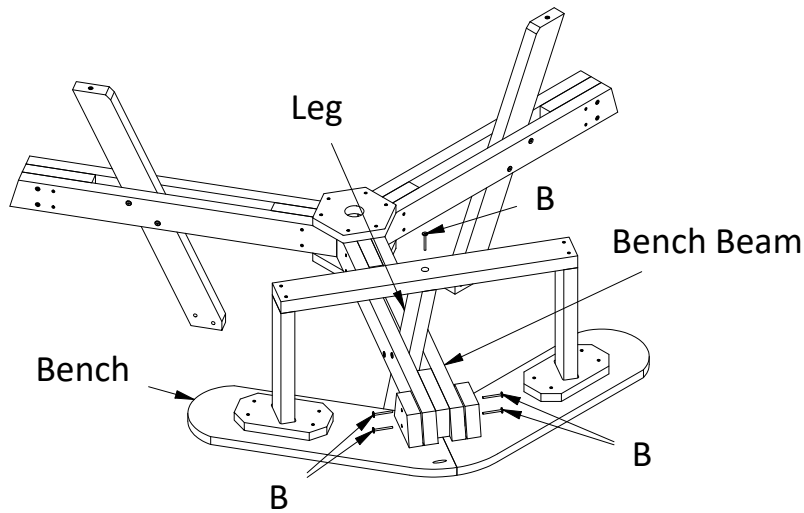


Note: Make sure the angles match as shown. Make sure the insert in the Leg is up.

4) Slide the Legs one at a time in between the Bench Beams as shown. This will be a tight fit, just slide around until the holes line up.

5) Attach the Leg to the Bench Beam with (4) B Bolts. Do not overtighten.

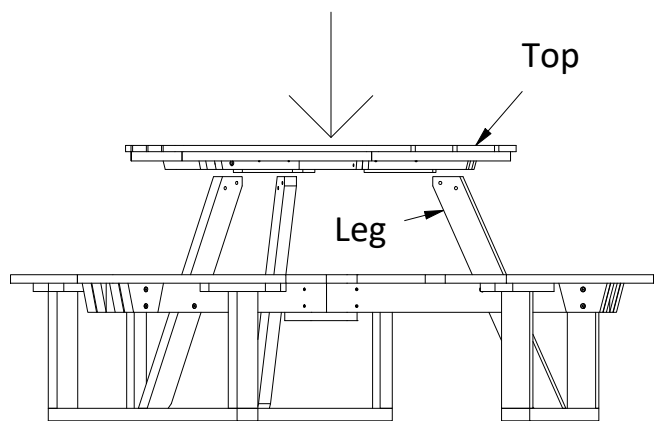
6) Repeat Steps 4-5 for the other 2 Legs.



7) Take the Bench Assembly and place it on the Leg as shown.

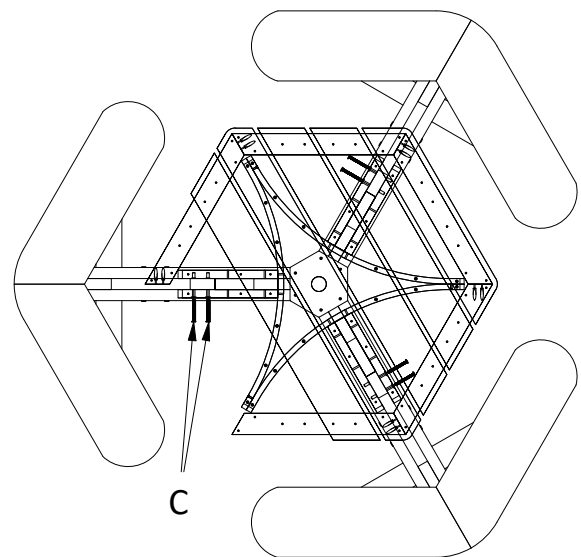
8) Attach the Bench to the Leg and Bench Beam with (5) B Bolts.

9) Repeat Steps 7-8 for the 2 other Benches.



10) With help from someone, flip the Benches so they are upright as shown.

11) With that same person, place the Top on the Legs.



12) Attach the Top to the Legs with (6) C Bolts as shown.

13) Place the Umbrella Gromet (D) in the Hole in the Top.