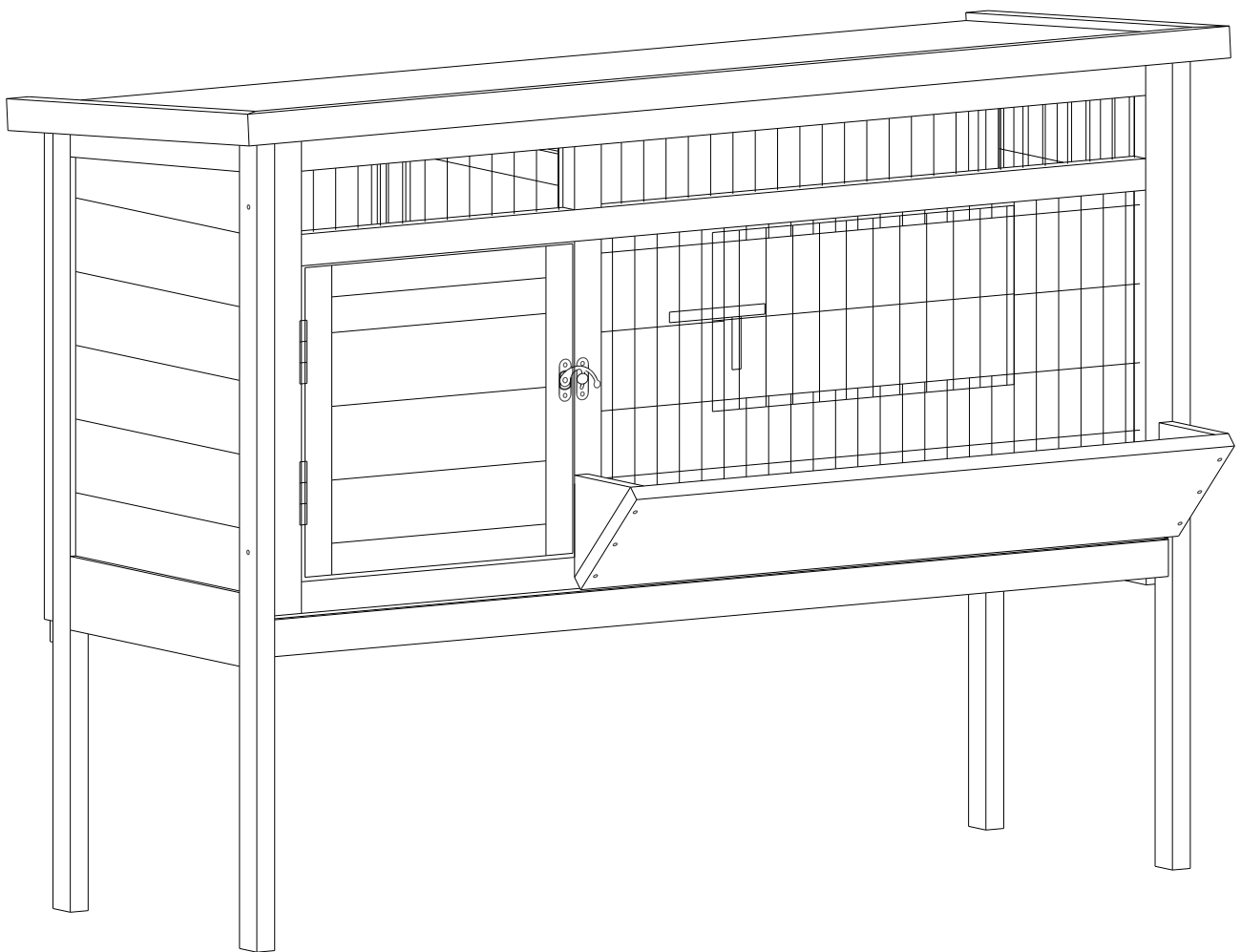
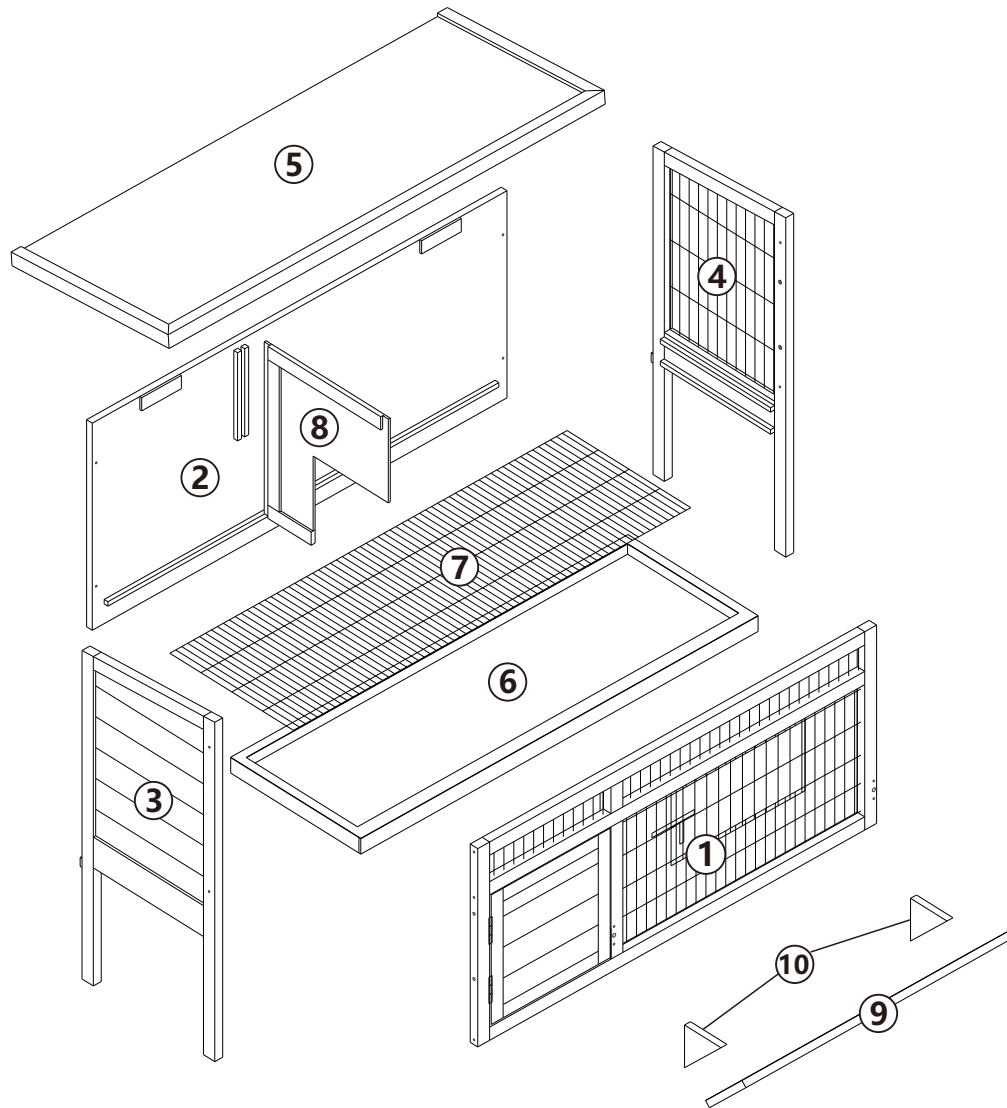



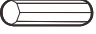
# Installation Instruction

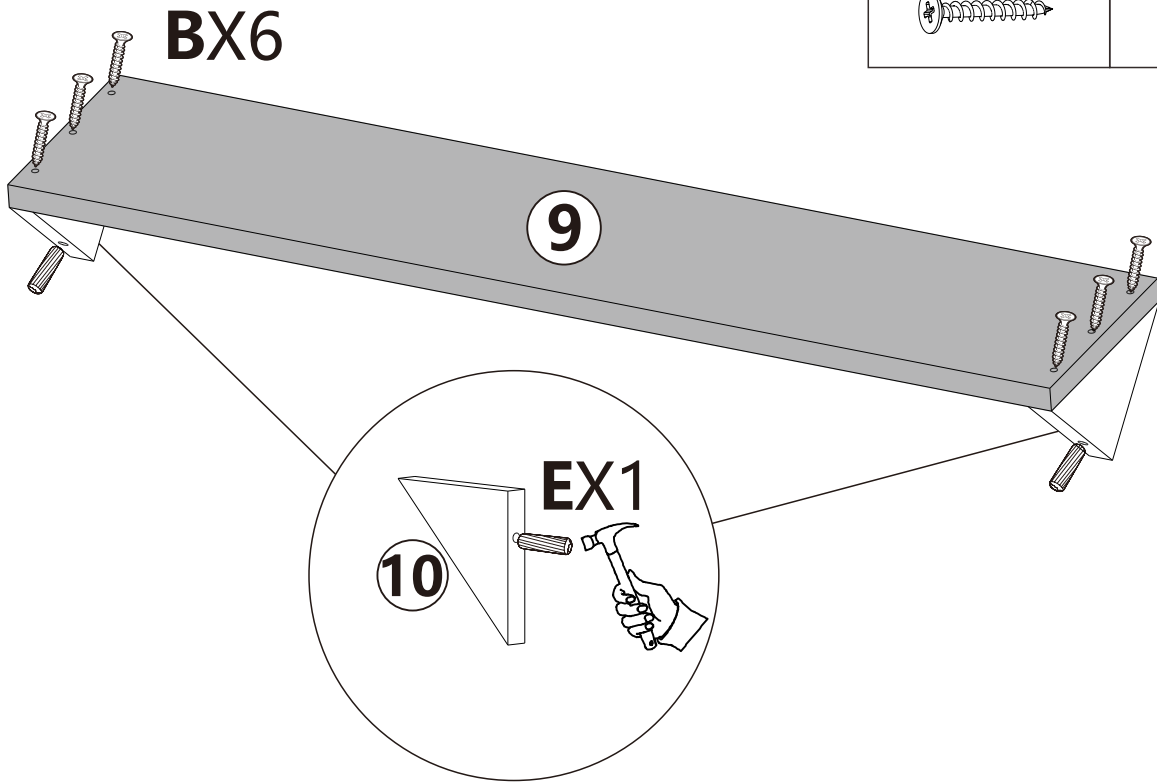


# Packaging Details





A	x18+1	B	x6+1	C	x8+1	D	x4+1	E	x6+1	F	x1
G	x4	L	x1	R	x1						

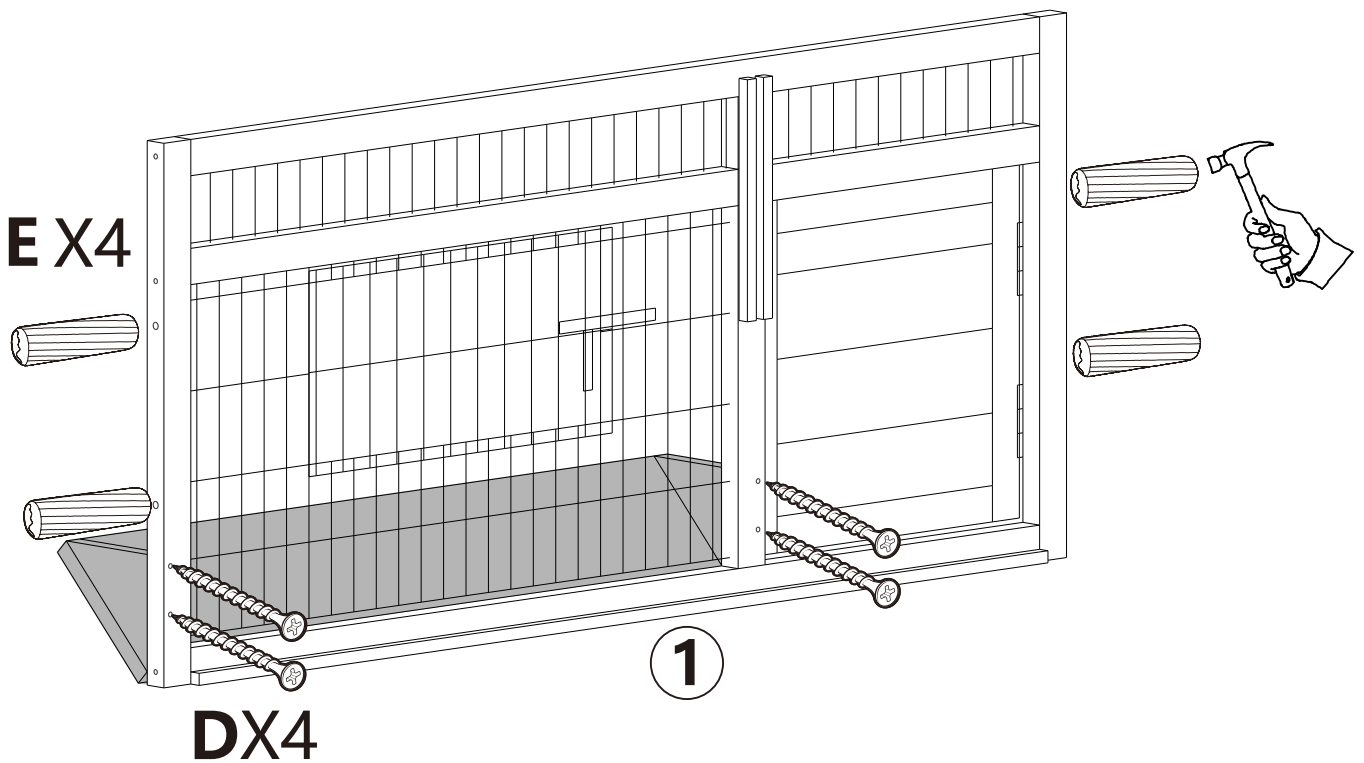
B	x6	E	x2
			



The two ends of Part 9 and Part 10 are flush with both sides

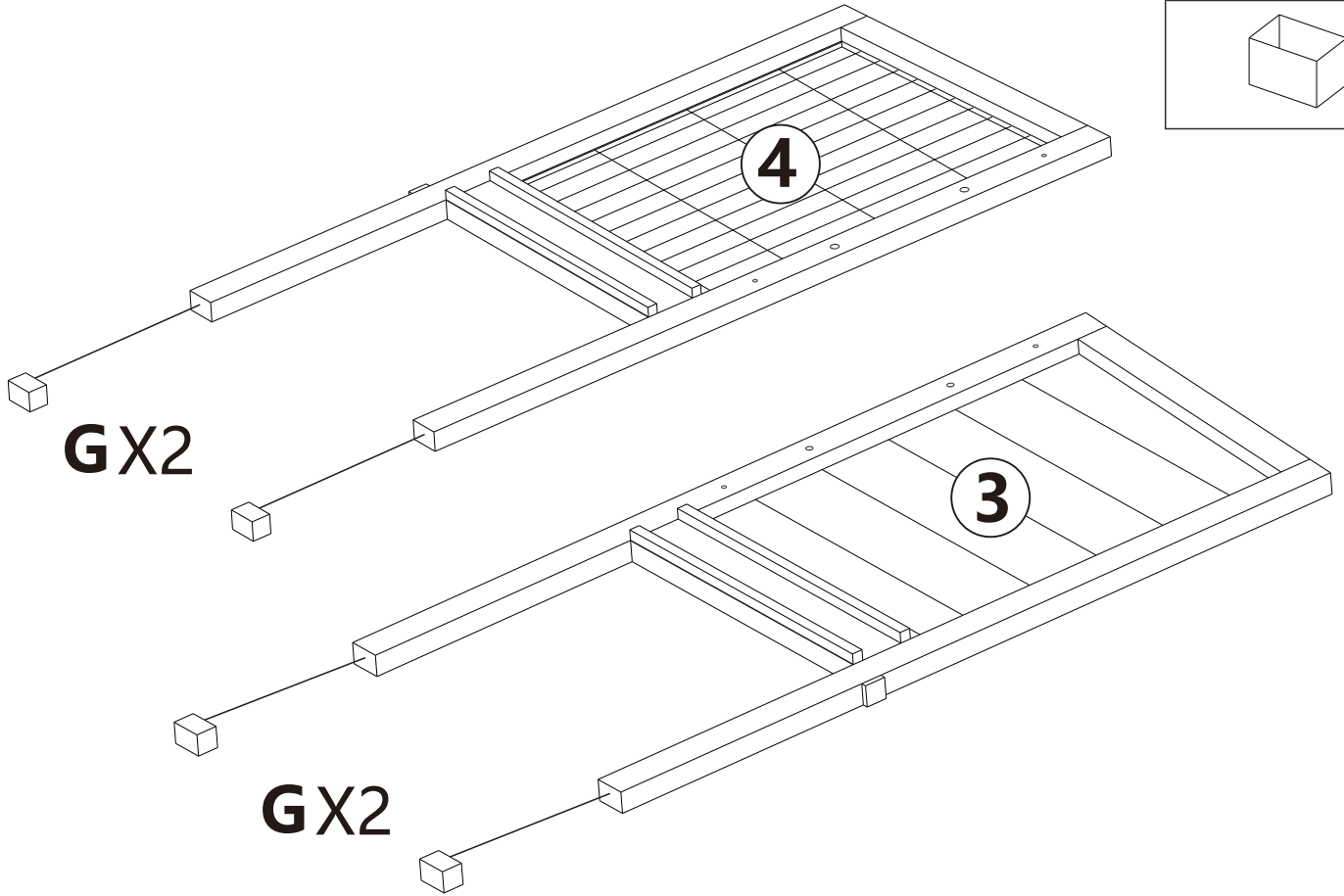
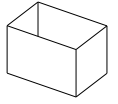
STEP 1

D	x4	E	x4
			



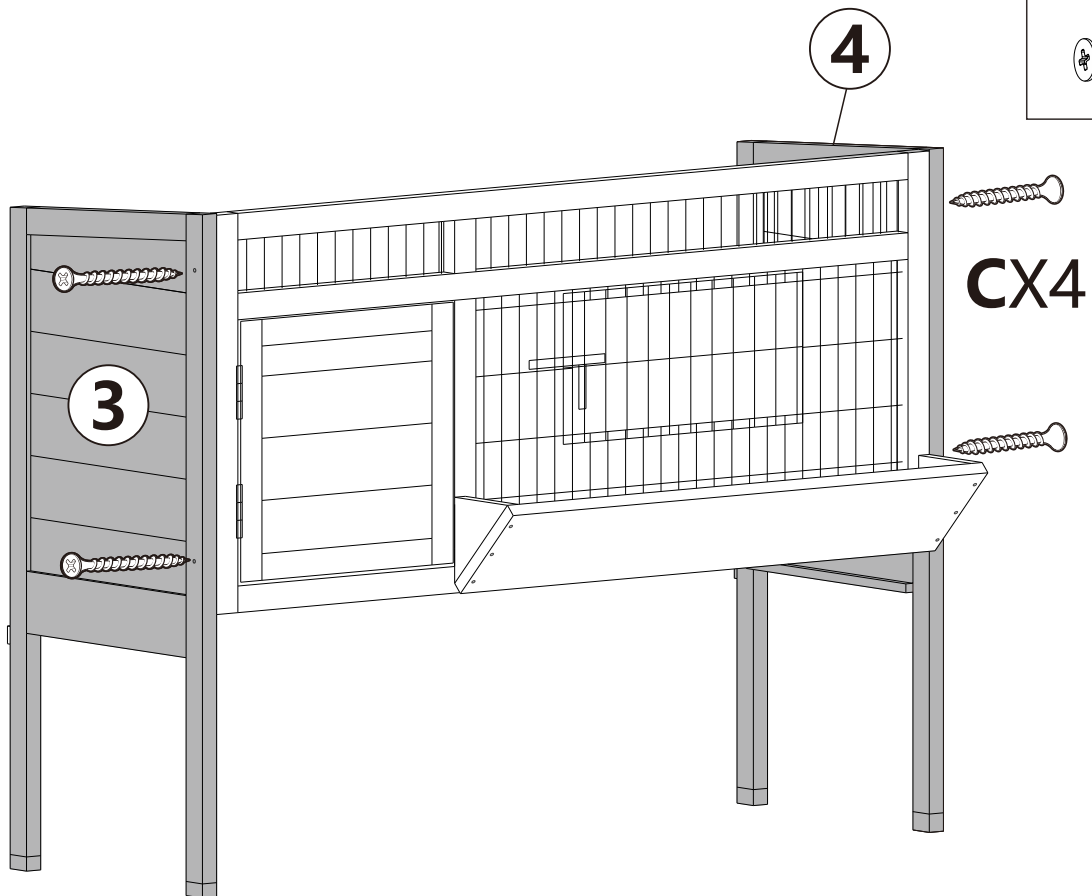
STEP 2

G x4



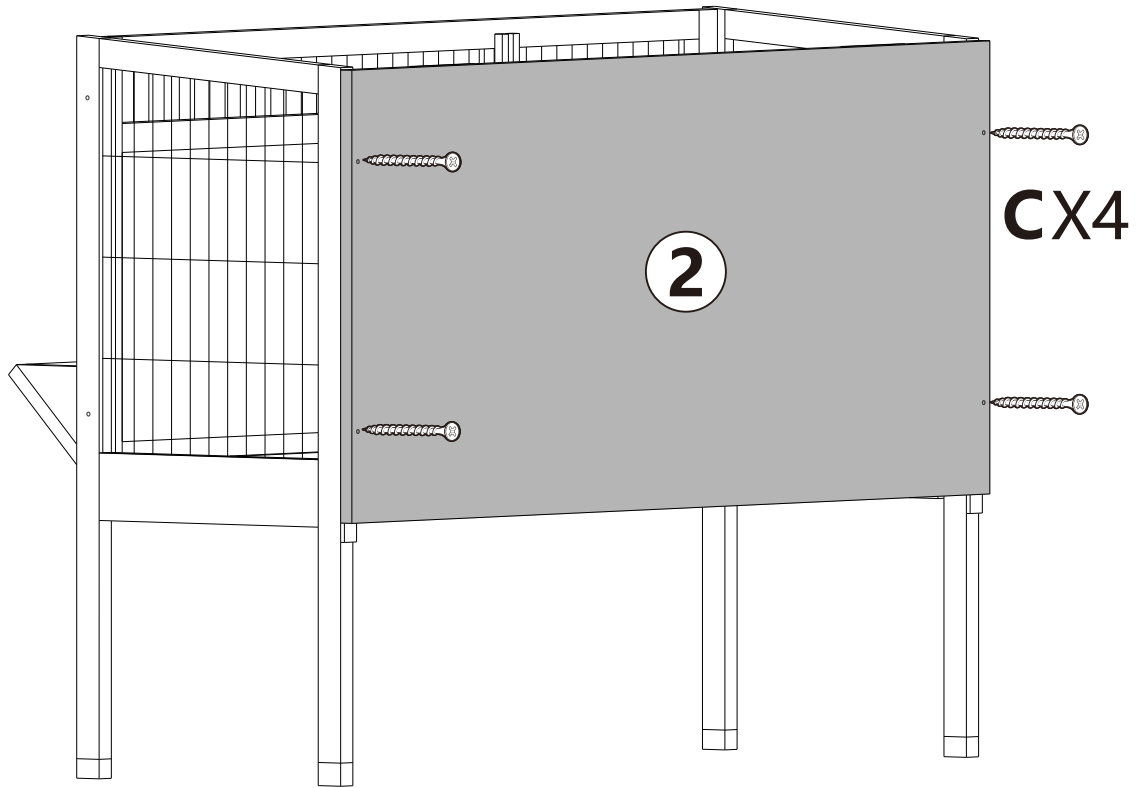
STEP 3

C x4

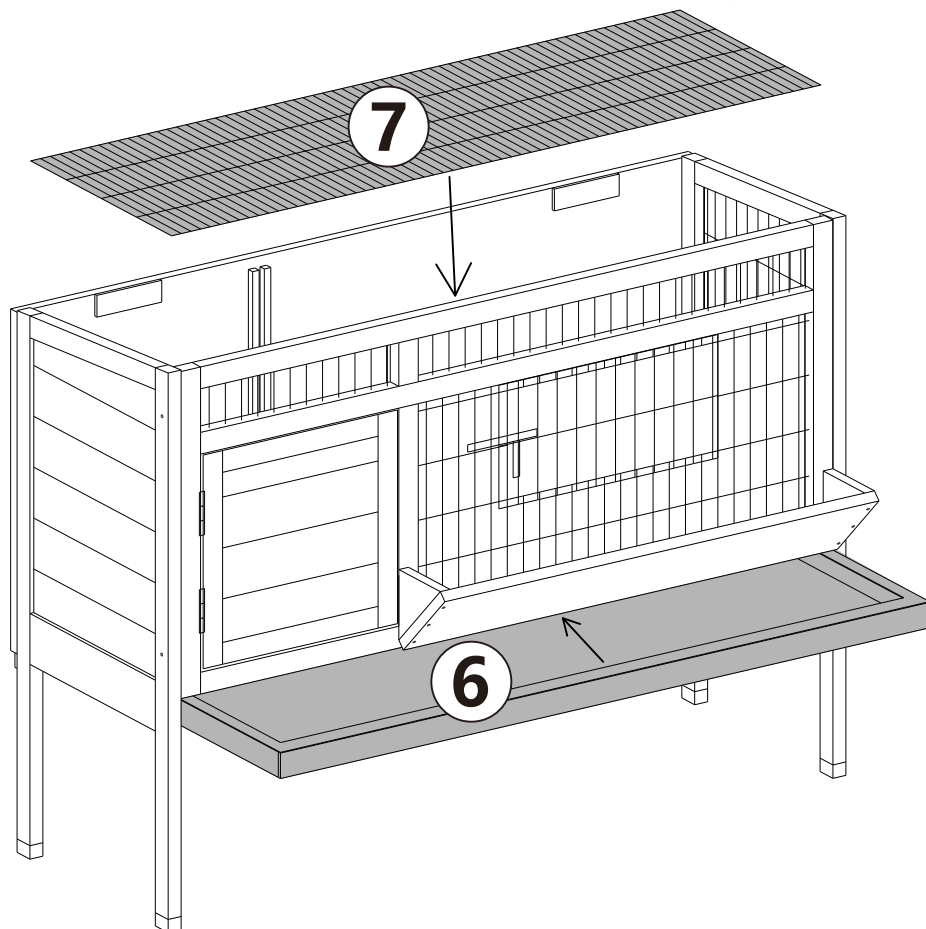


STEP 4

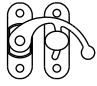

C x4

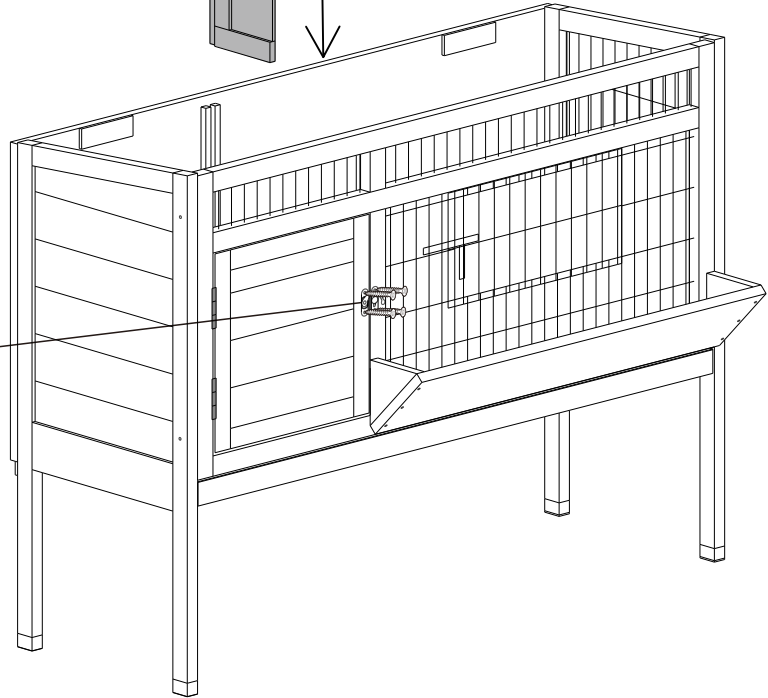
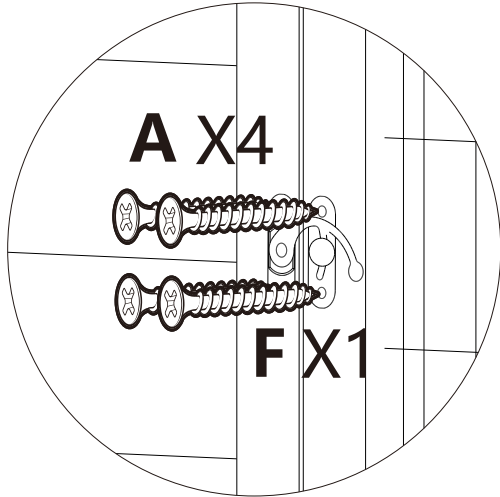
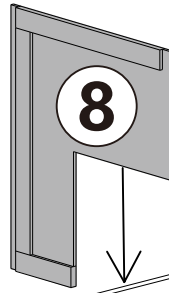


STEP 5




STEP 6

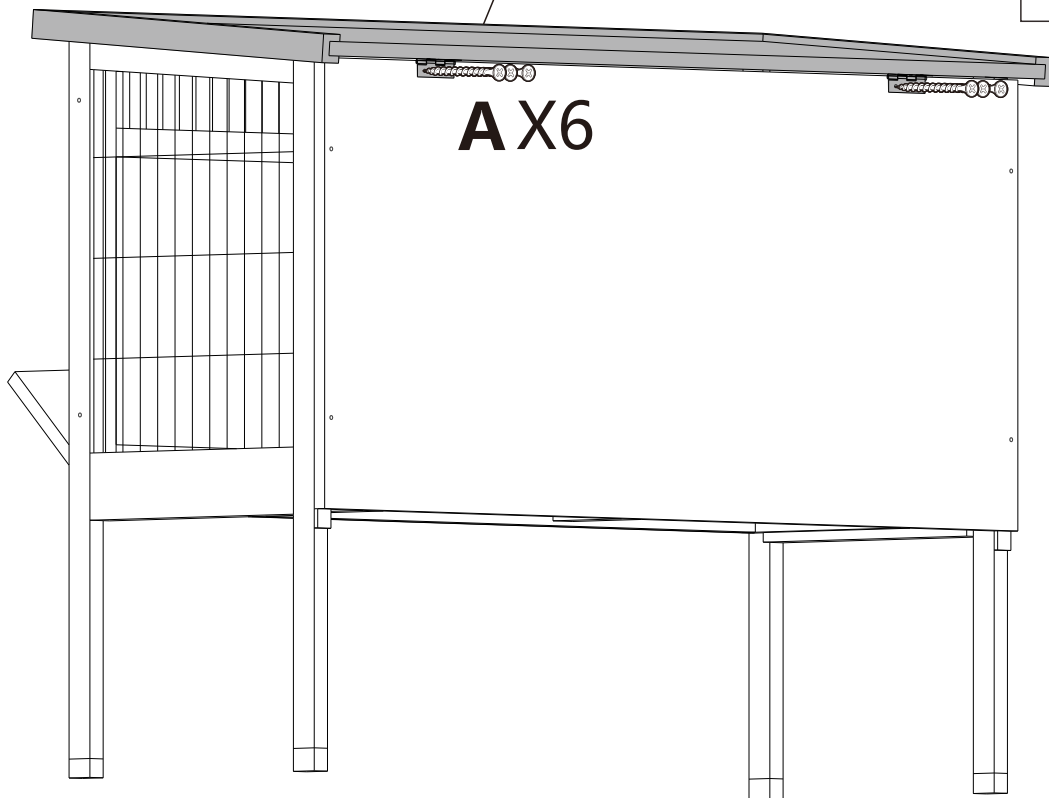
F	x1	A	x4
			





STEP 7

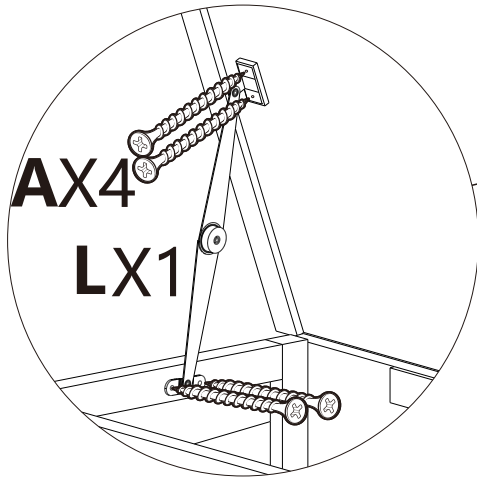
A	x6
	

5

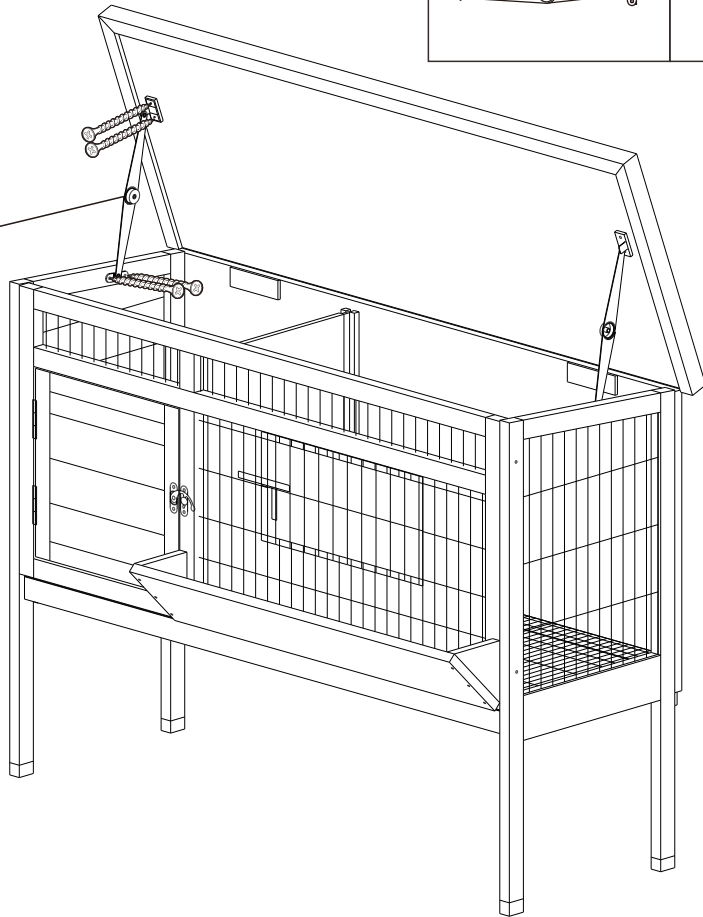


STEP 8



L	x1	A	x4
			

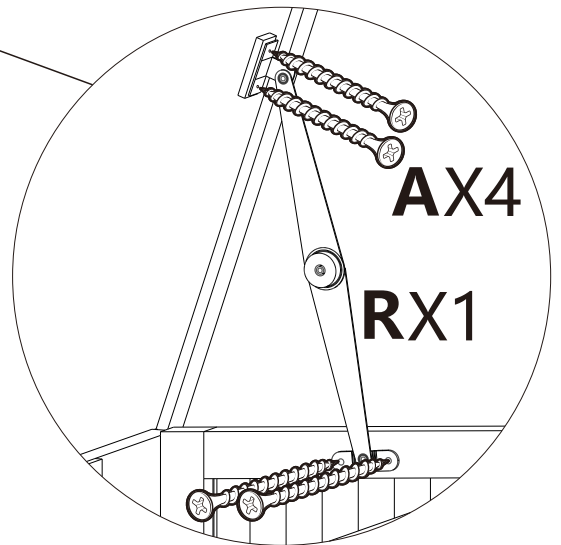
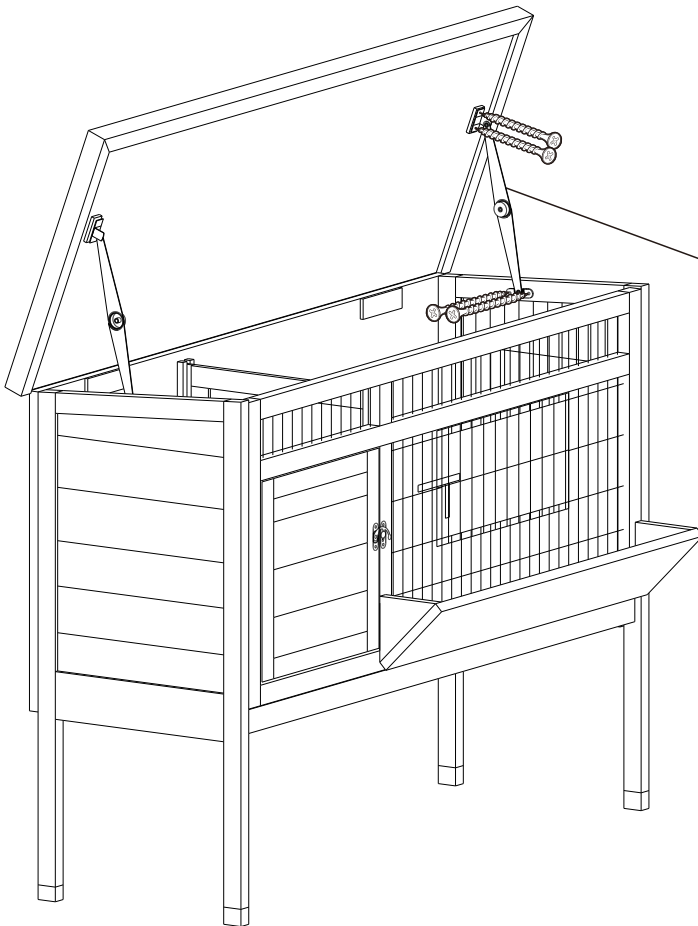


**AX4**  
**LX1**



**STEP9**

R	x1	A	x4
			



**AX4**  
**RX1**

**STEP10**